



US00D695596S

(12) **United States Design Patent**
Haslam

(10) **Patent No.:** **US D695,596 S**

(45) **Date of Patent:** **** Dec. 17, 2013**

(54) **EQUINE SAFETY HOOK**

(71) Applicant: **Equestrian Safety Products, LLC,**
Milton, GA (US)

(72) Inventor: **Danielle Haslam,** Milton, GA (US)

(73) Assignee: **Equestrian Safety Products, LLC,**
Milton, GA (US)

(**) Term: **14 Years**

(21) Appl. No.: **29/450,595**

(22) Filed: **Mar. 20, 2013**

Related U.S. Application Data

(62) Division of application No. 29/393,927, filed on Jun. 10, 2011, now Pat. No. Des. 682,077.

(51) **LOC (9) Cl.** **08-05**

(52) **U.S. Cl.**
USPC **D8/372**

(58) **Field of Classification Search**

USPC D8/367, 353, 354, 349, 356, 352, 351,
D8/381, 372; D6/323; 248/301, 304, 214,
248/215, 508, 354.7, 340, 302; D21/662;
294/143; 211/118; 16/87.2, 87.8, 330;
24/DIG. 11; 402/79; D22/144

See application file for complete search history.

(56) **References Cited**

U.S. PATENT DOCUMENTS

1,676,197 A * 7/1928 Marrinan 52/156
D375,539 S * 11/1996 Chu D22/144
D515,657 S * 2/2006 Ljungstrom D22/144

7,748,673 B2 * 7/2010 Barrese 248/215
D636,456 S * 4/2011 Hatfield D22/144
D637,833 S * 5/2011 Russell D6/405
D641,231 S * 7/2011 Stinson D8/367
D644,088 S * 8/2011 Gallaty D8/354
D646,960 S * 10/2011 Goodman et al. D8/372
D669,762 S * 10/2012 Miekina D8/356
D671,617 S * 11/2012 Martin D22/144
D680,421 S * 4/2013 Martin et al. D8/372

* cited by examiner

Primary Examiner — Cynthia Underwood

(74) *Attorney, Agent, or Firm* — Adam K. Sacharoff

(57) **CLAIM**

The ornamental design for a equine safety hook, as shown and described.

DESCRIPTION

FIG. 1 is a to side perspective view of an equine safety hook in accordance with the present invention;

FIG. 2 is a left side view of the equine safety hook from FIG. 1;

FIG. 3 is a right side view of the equine safety hook from FIG. 1;

FIG. 4 is a front side view of the equine safety hook from FIG. 1;

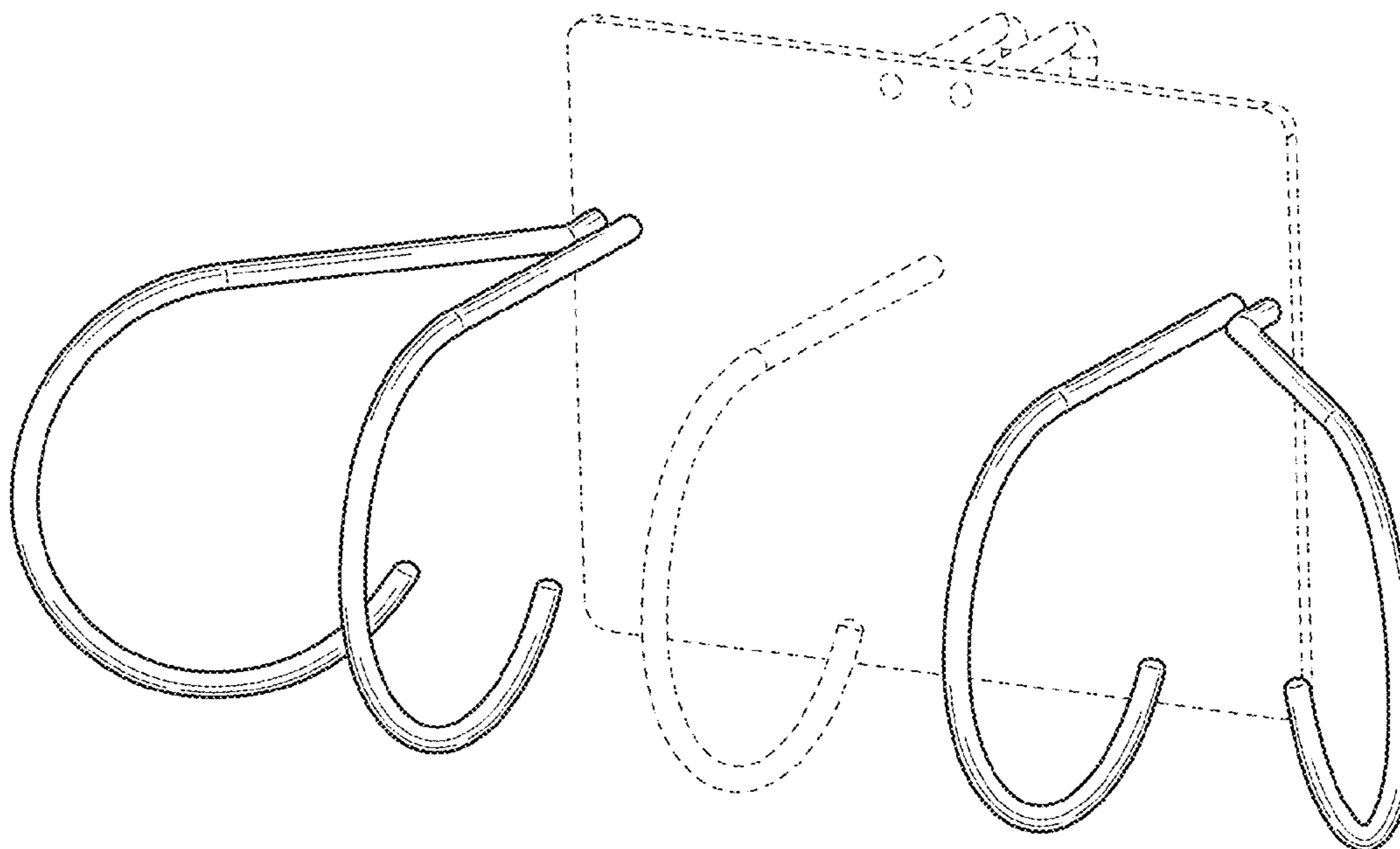
FIG. 5 is a back side view of the equine safety hook from FIG. 1;

FIG. 6 is a top side view of the equine safety hook from FIG. 1; and,

FIG. 7 is a bottom side view of the equine safety hook from FIG. 1.

The broken lines showing are for the purpose of illustrating portions of the environmental structure and forms no part of the claimed design.

1 Claim, 3 Drawing Sheets



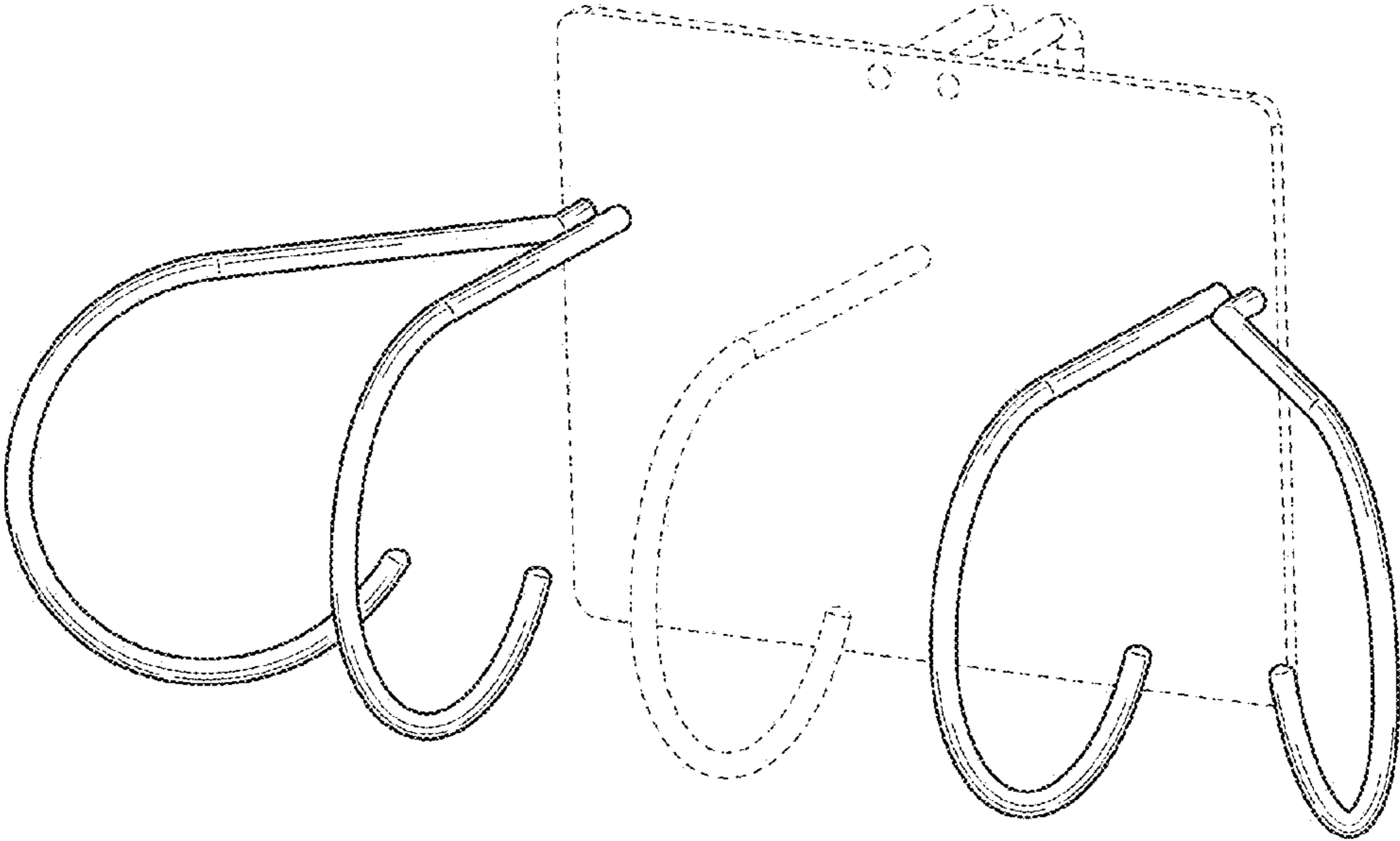


FIG. 1

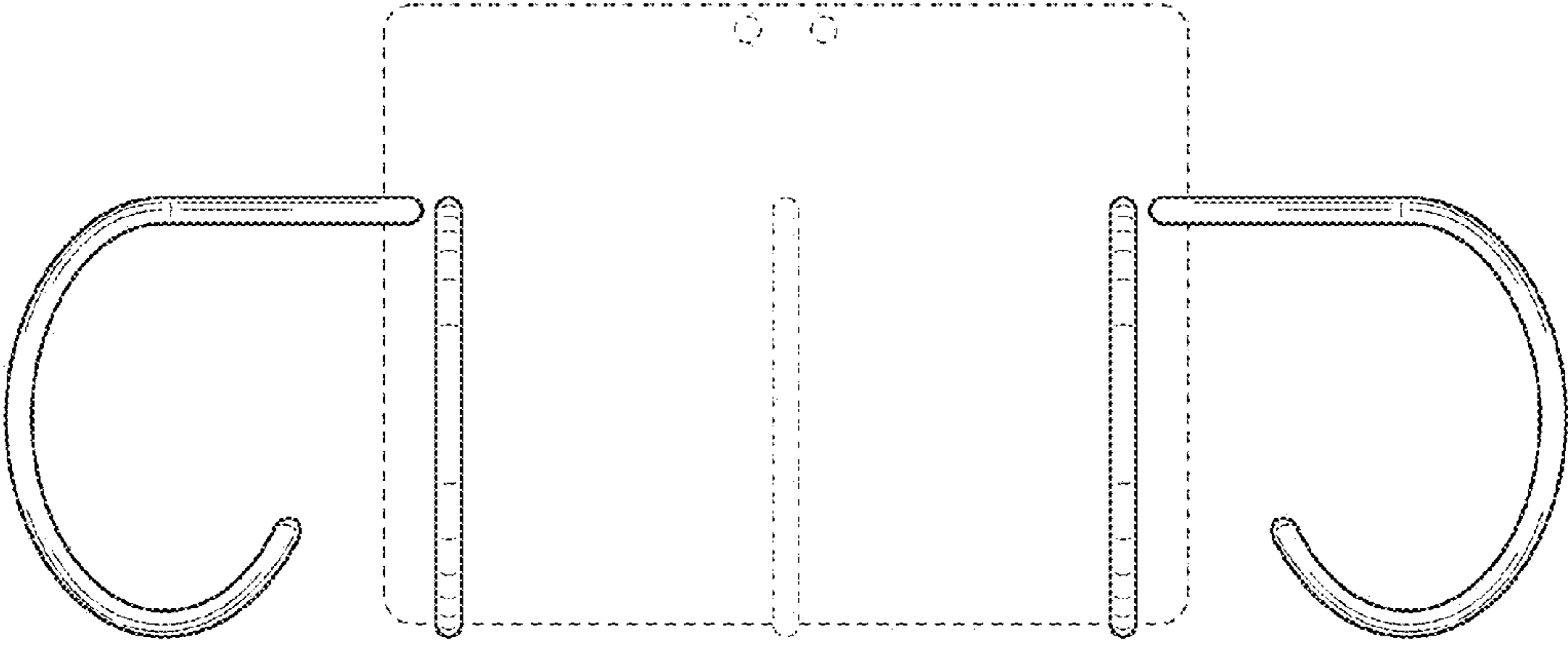


FIG. 2

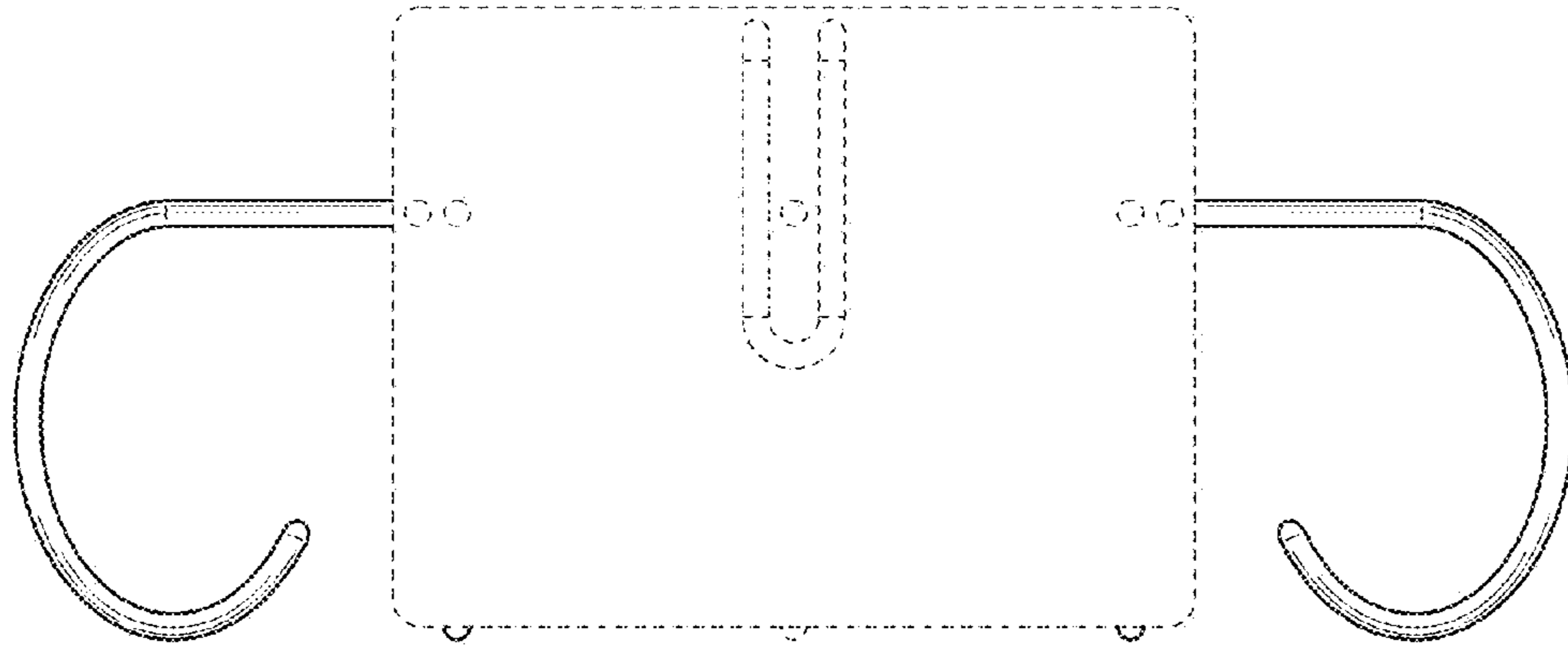


FIG. 3

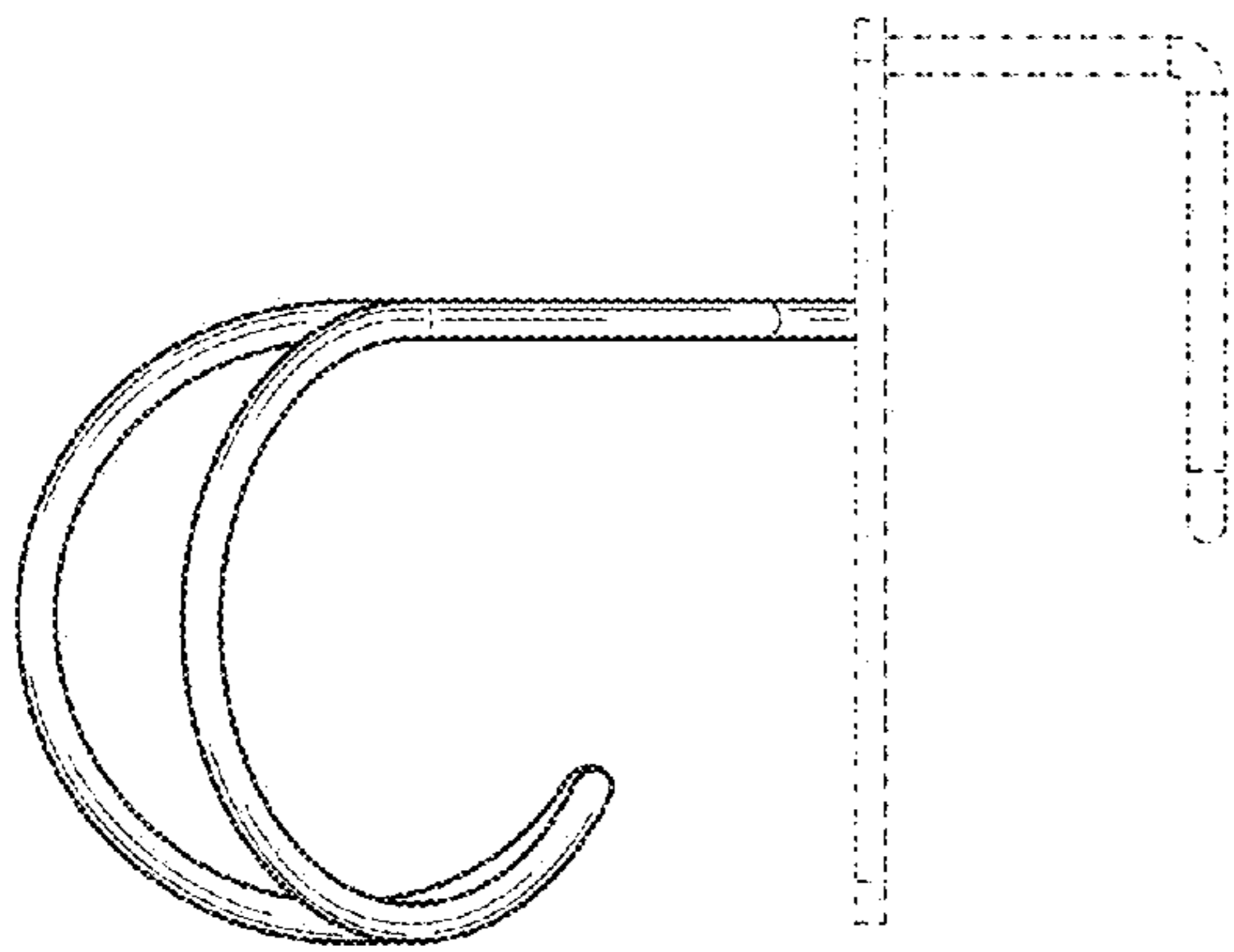


FIG. 4

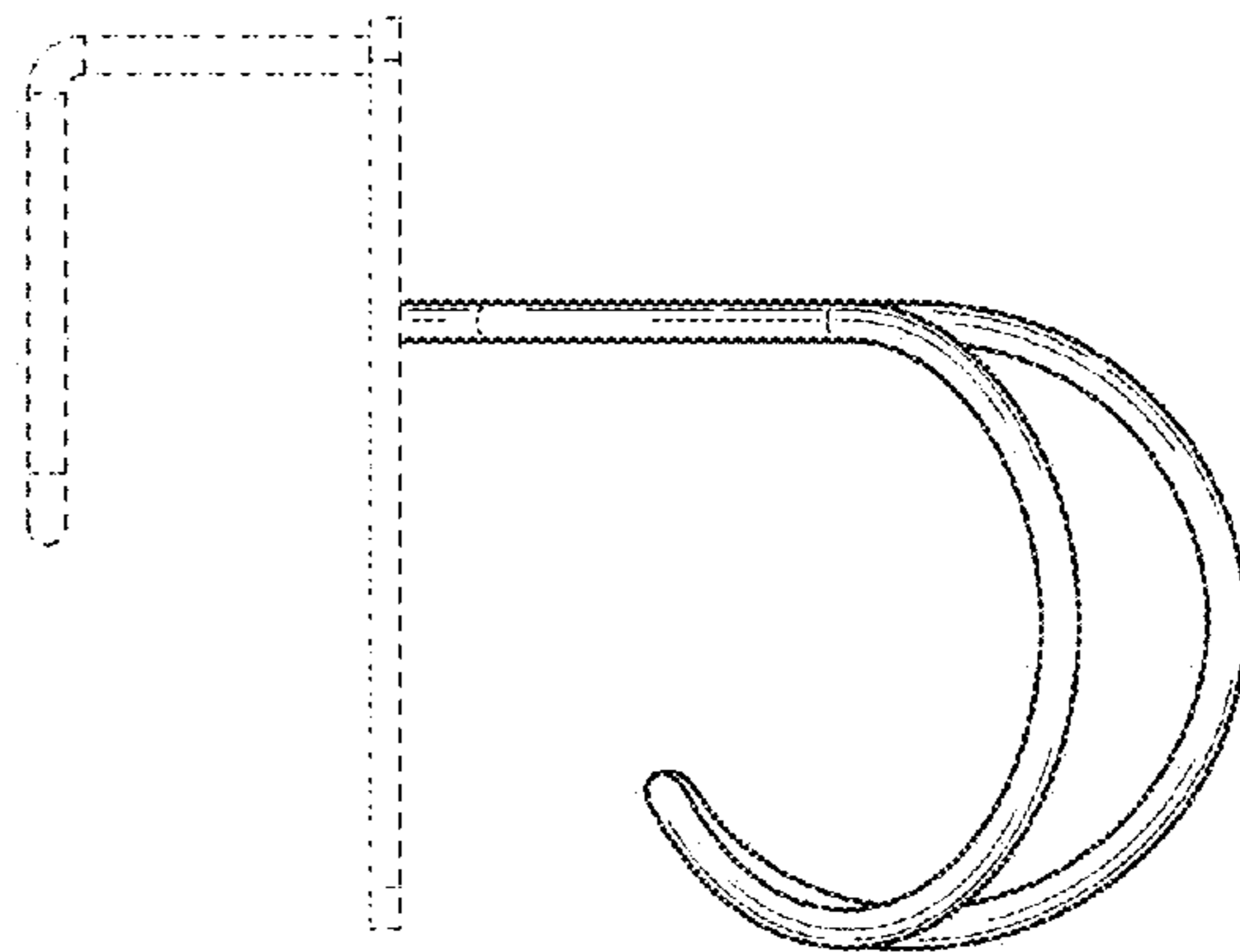


FIG. 5

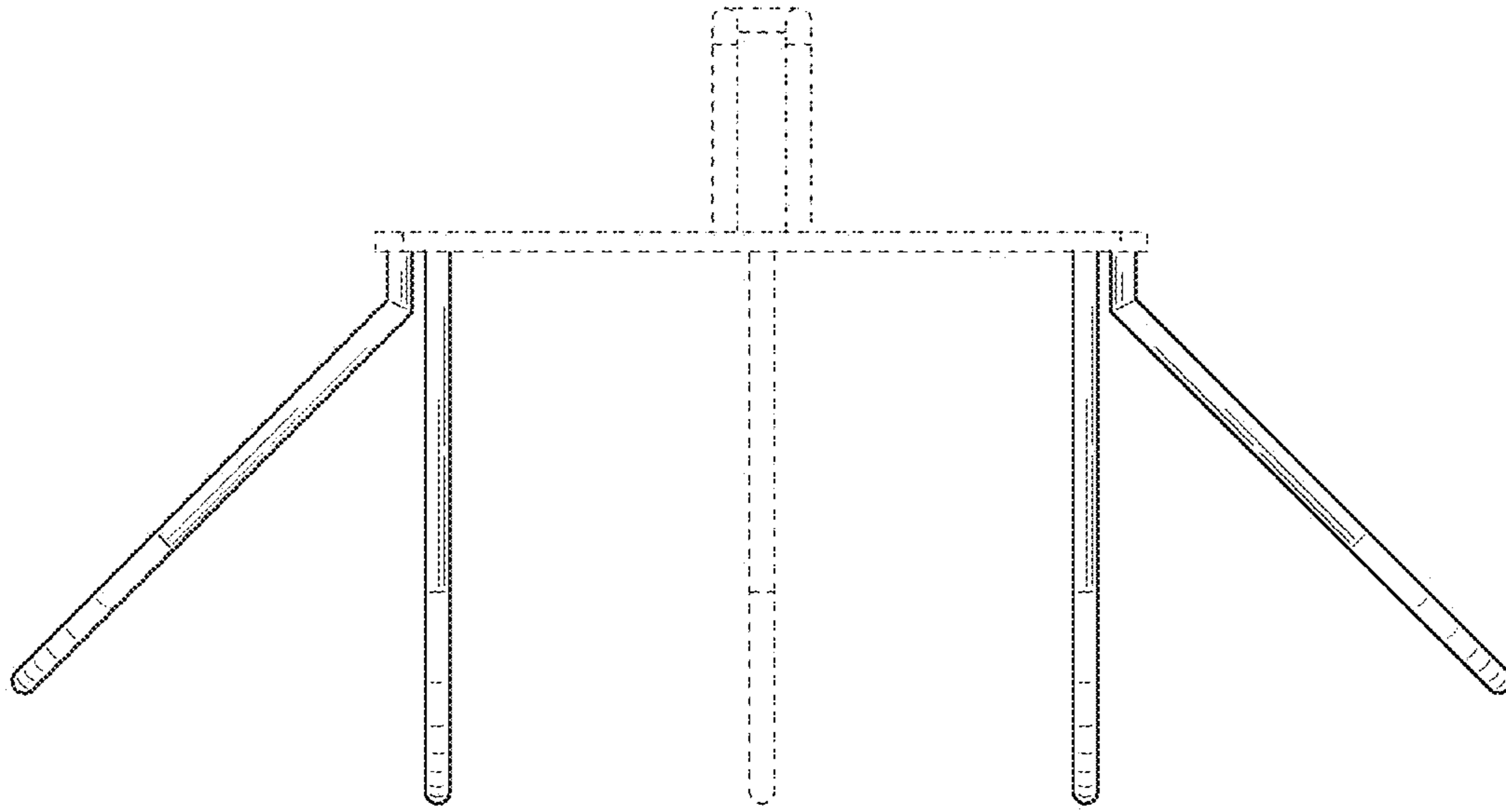


FIG. 6

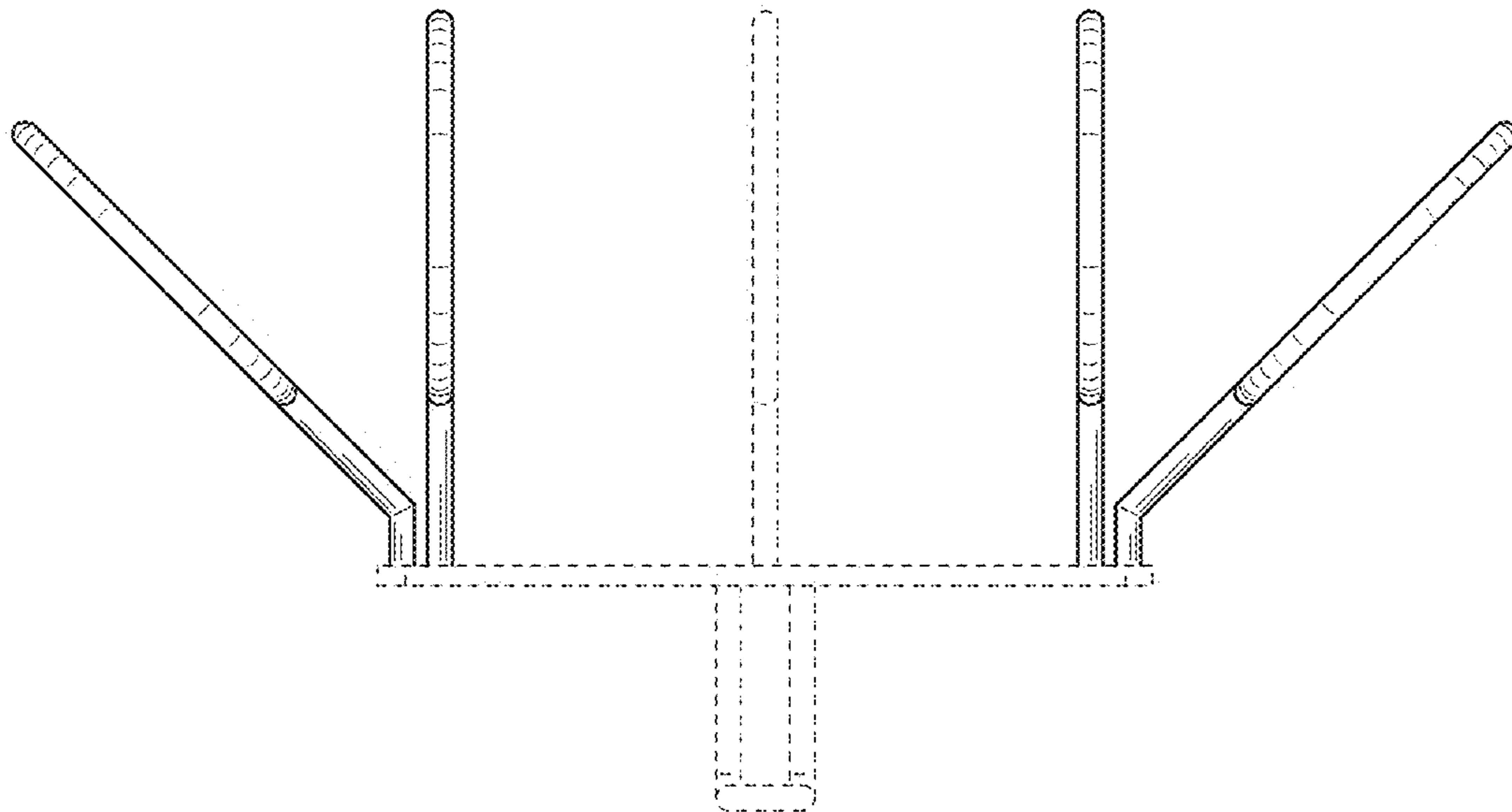


FIG. 7