



US00D695594S

(12) **United States Design Patent**  
**Krumpe**

(10) **Patent No.:** **US D695,594 S**

(45) **Date of Patent:** **\*\* Dec. 17, 2013**

(54) **OVER-THE-DOOR HOOK**  
(75) Inventor: **Geraint Krumpe**, Chicago, IL (US)  
(73) Assignee: **Liberty Hardware Mfg. Corp.**,  
Winston-Salem, NC (US)

D568,407 S \* 5/2008 Francis ..... D20/43  
D669,527 S \* 10/2012 Hammer et al. .... D19/34.5  
D671,602 S \* 11/2012 Bradford ..... D21/621  
D683,617 S \* 6/2013 Krumpe ..... D8/402  
D687,673 S \* 8/2013 Lin ..... D7/394  
D688,656 S \* 8/2013 Avrahami ..... D14/253  
2007/0113450 A1 \* 5/2007 Santa Cruz et al. .... 40/608

(\*\*) Term: **14 Years**

\* cited by examiner

(21) Appl. No.: **29/422,161**

*Primary Examiner* — Cynthia Underwood

(22) Filed: **May 17, 2012**

(74) *Attorney, Agent, or Firm* — Lora J. Graentzdoerffer

(51) **LOC (9) Cl.** ..... **08-05**

(57) **CLAIM**

(52) **U.S. Cl.**  
USPC ..... **D8/367**

The ornamental design for an over-the-door hook, as shown and described.

(58) **Field of Classification Search**  
USPC ..... D8/367, 354, 349, 373; D6/323;  
248/301–304, 339, 205.3; D21/360,  
D21/361, 383, 384, 547, 593, 594, 621  
See application file for complete search history.

**DESCRIPTION**

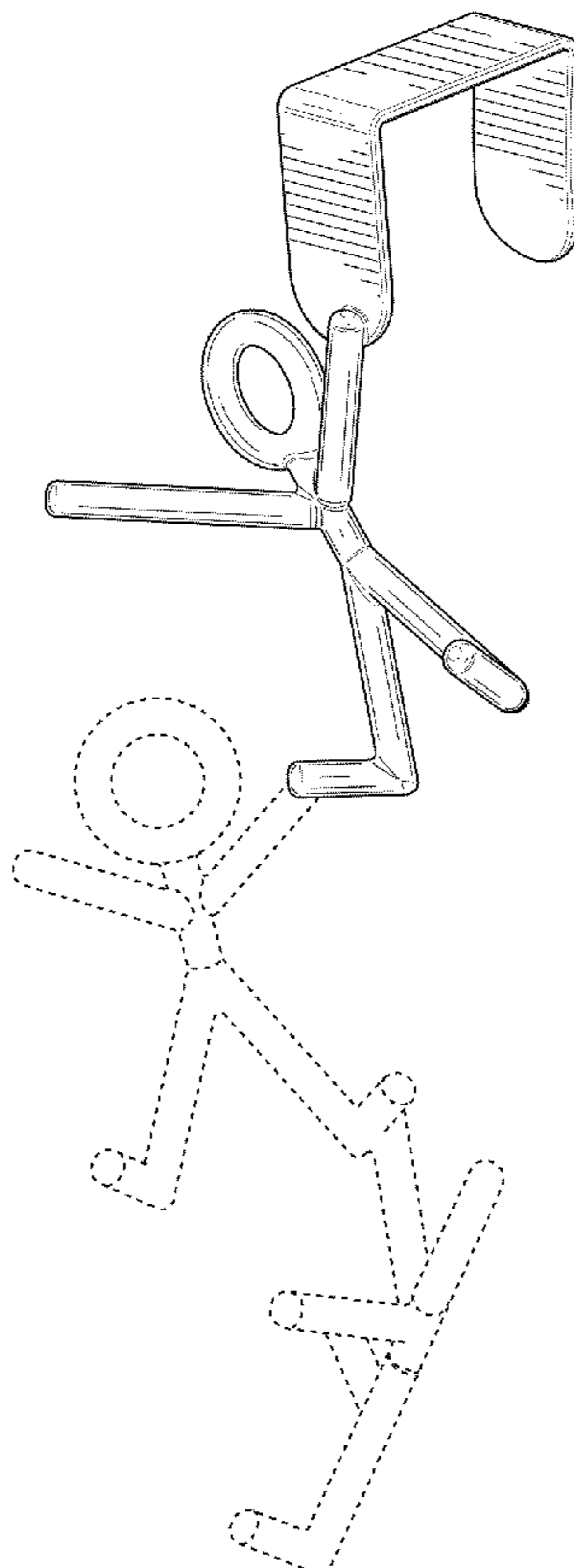
(56) **References Cited**

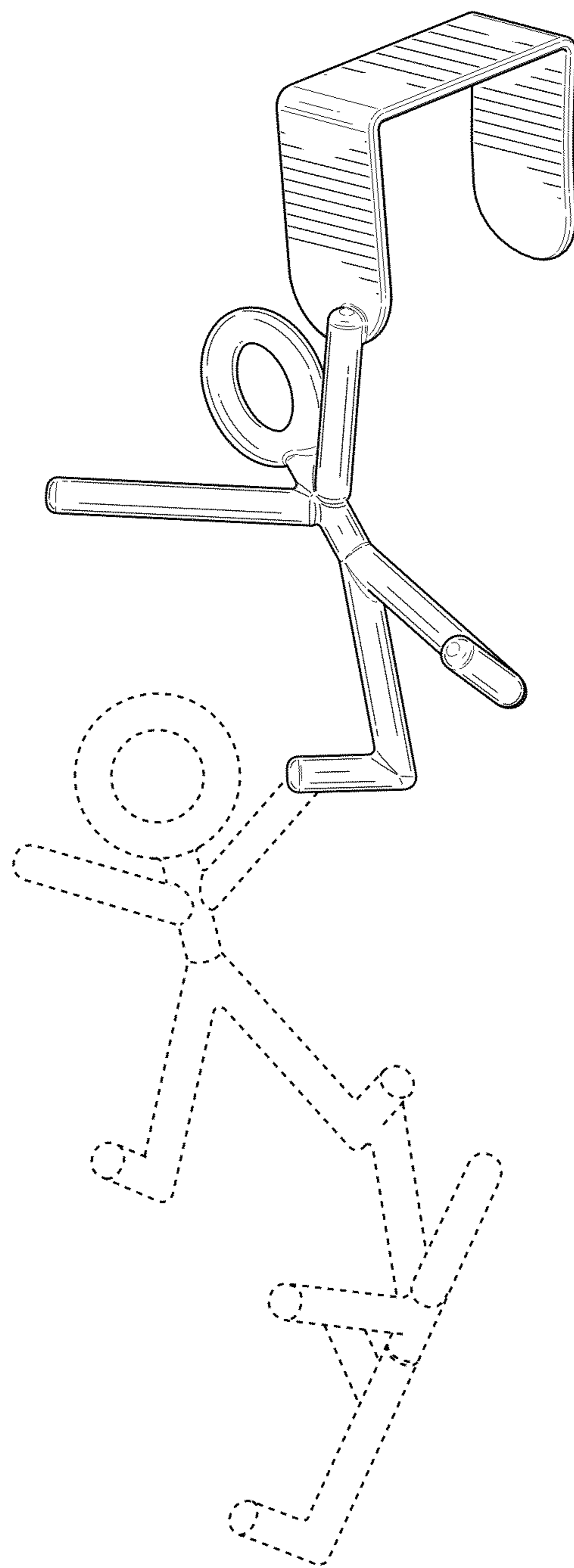
FIG. 1 is a perspective view according to one embodiment;  
FIG. 2 is a front elevational view;  
FIG. 3 is a rear elevational view;  
FIG. 4 is a top plan view;  
FIG. 5 is a bottom plan view;  
FIG. 6 is a left side elevational view; and,  
FIG. 7 is a right side elevational view.  
The broken-line disclosure in the views represents portions of the article in which the claimed design is embodied, but which form no part of the claimed design.

U.S. PATENT DOCUMENTS

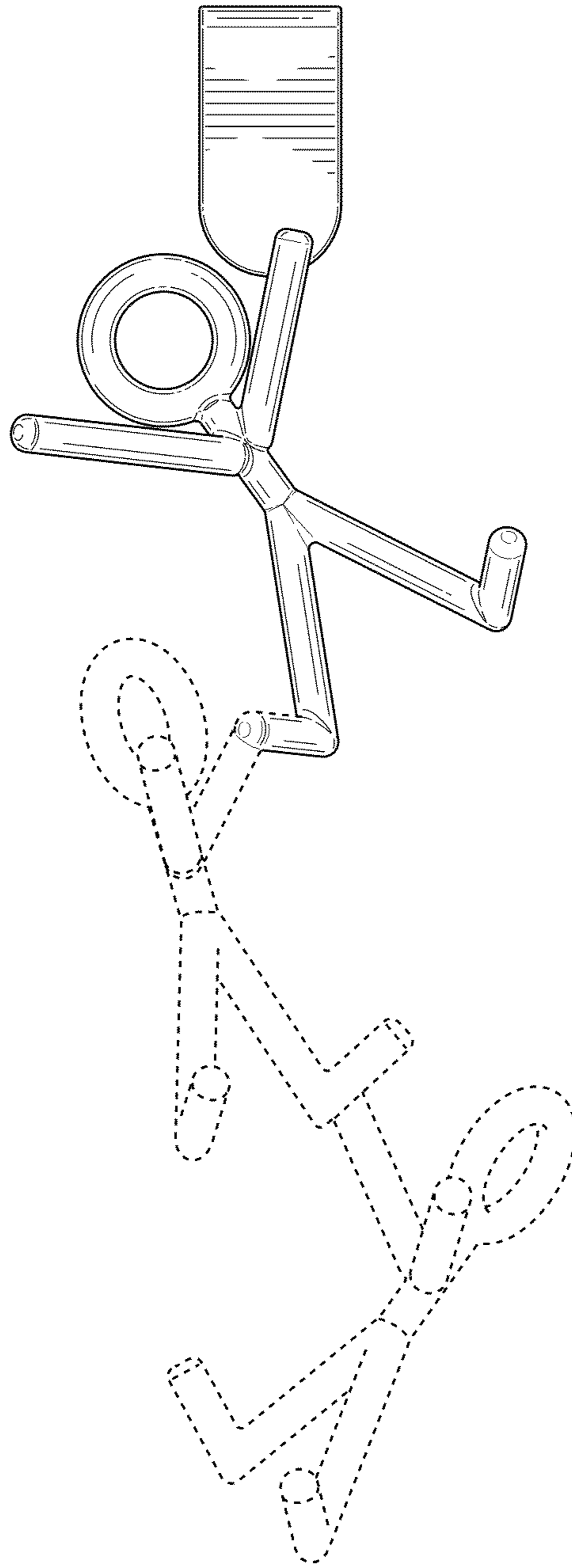
D117,674 S \* 11/1939 Lewis ..... D8/372  
D216,008 S \* 11/1969 Dennison ..... D8/370  
D269,882 S \* 7/1983 Leverton ..... D19/59  
6,682,032 B1 \* 1/2004 Bradlee ..... 248/215  
D532,707 S \* 11/2006 Mombauer ..... D10/8  
D553,196 S \* 10/2007 Canon ..... D20/31

**1 Claim, 6 Drawing Sheets**

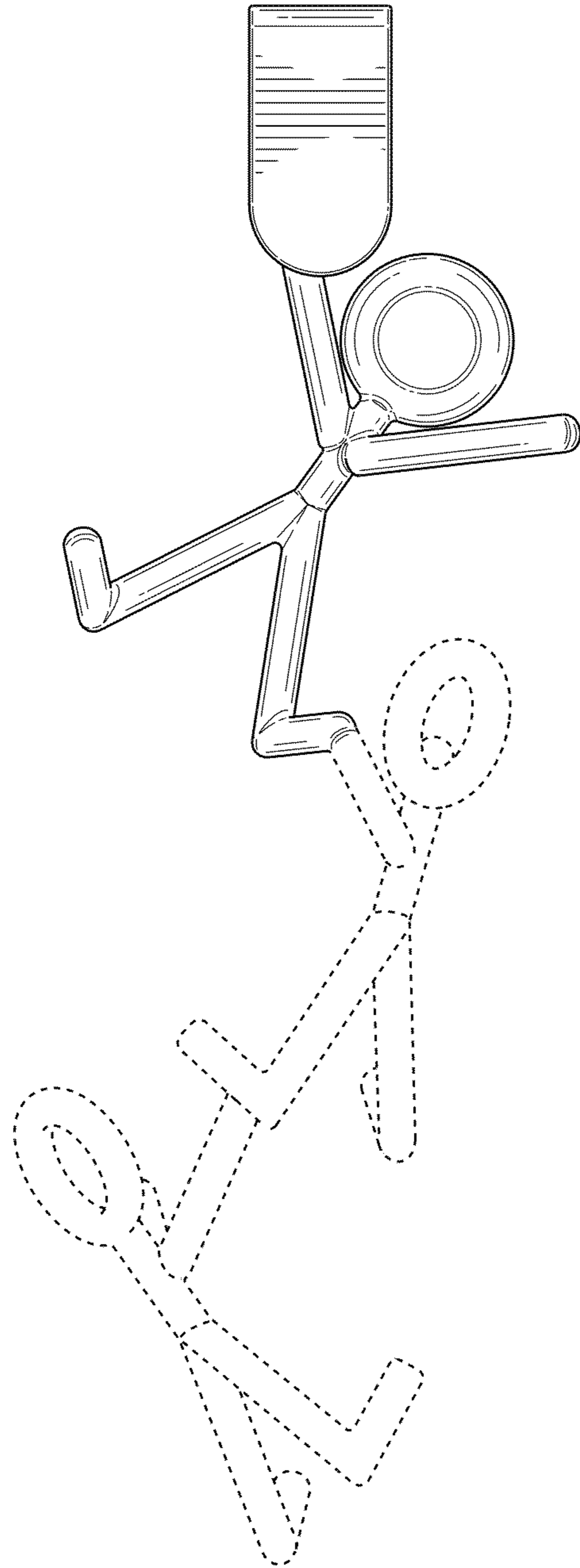




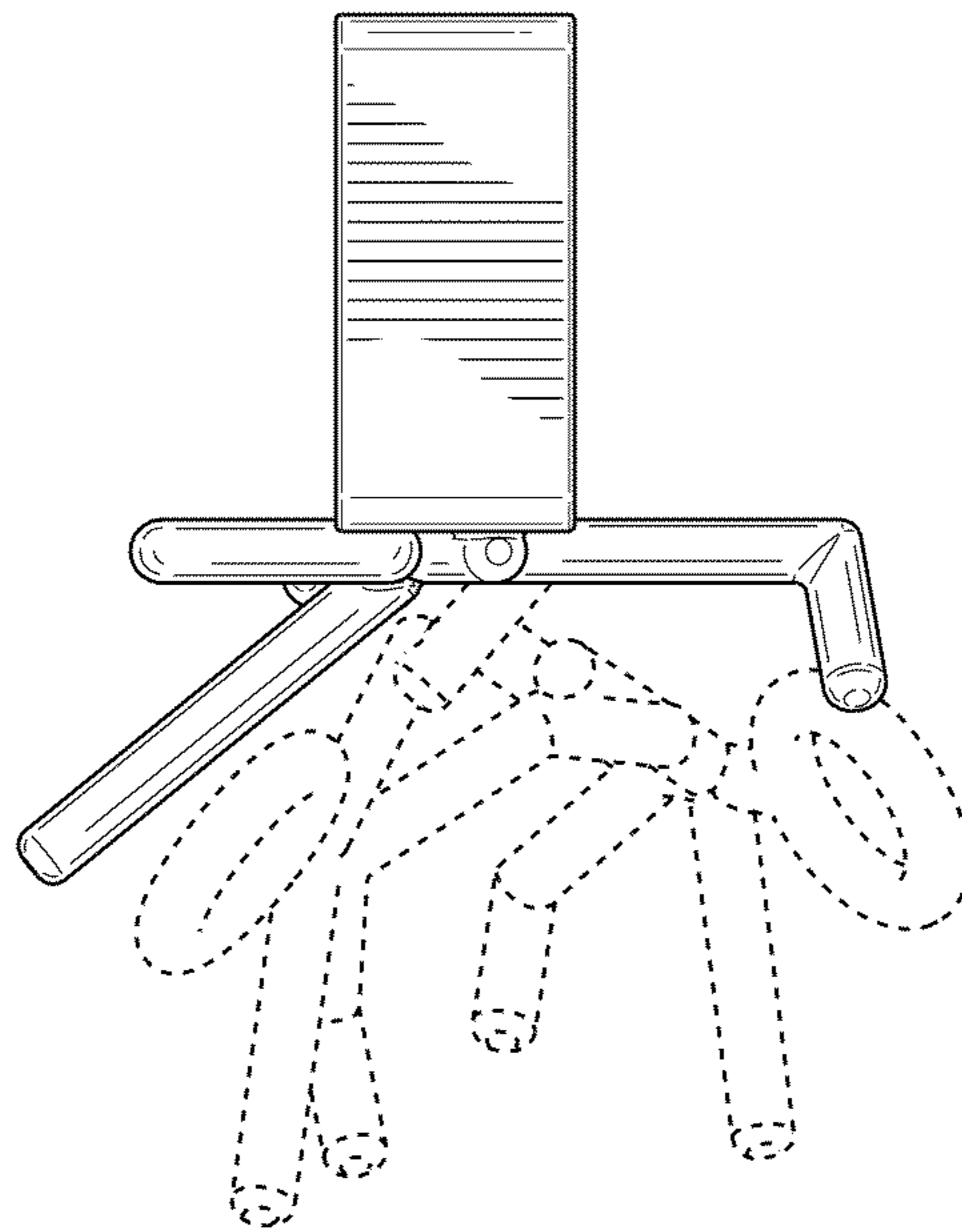
**FIG. 1**



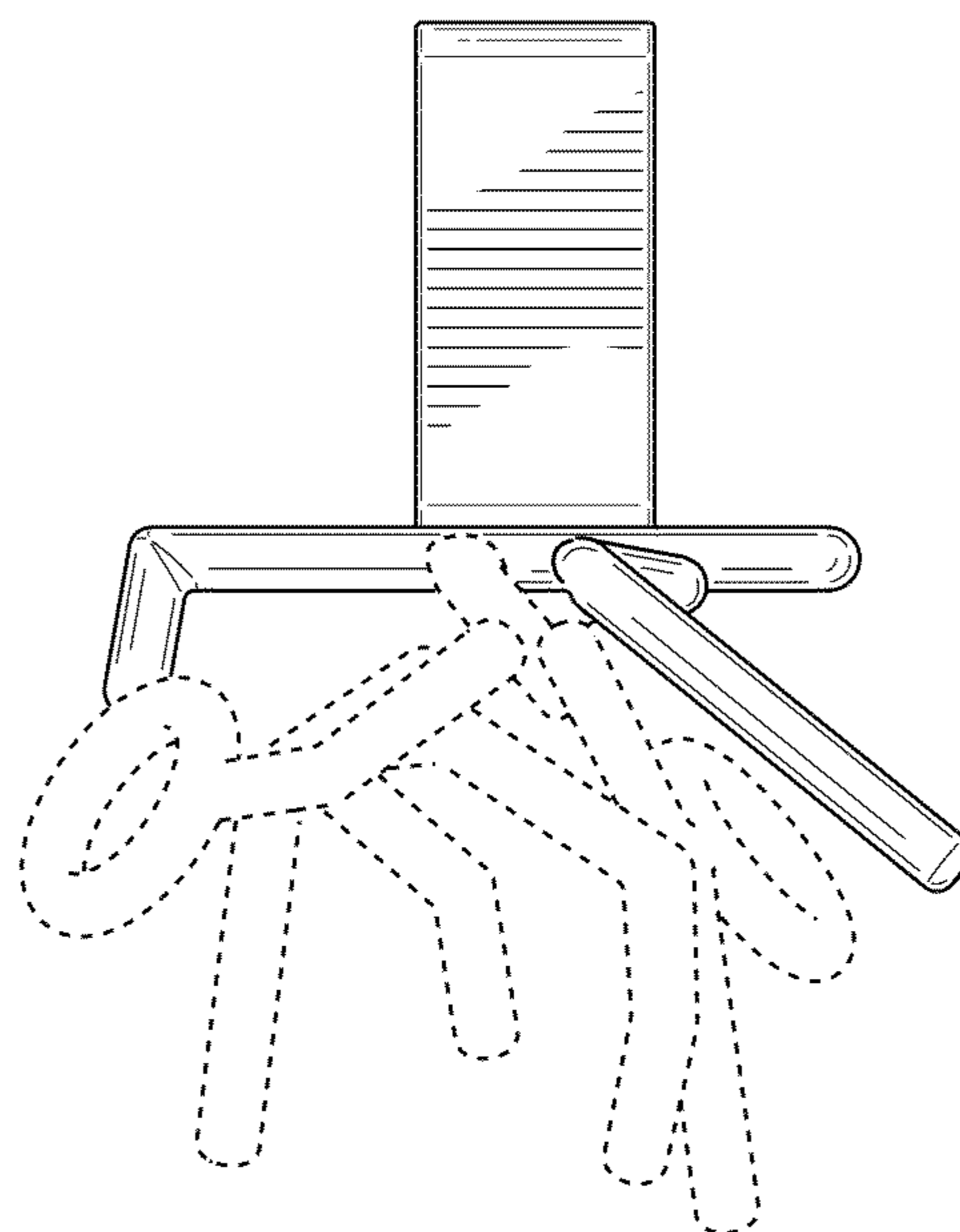
**FIG. 2**



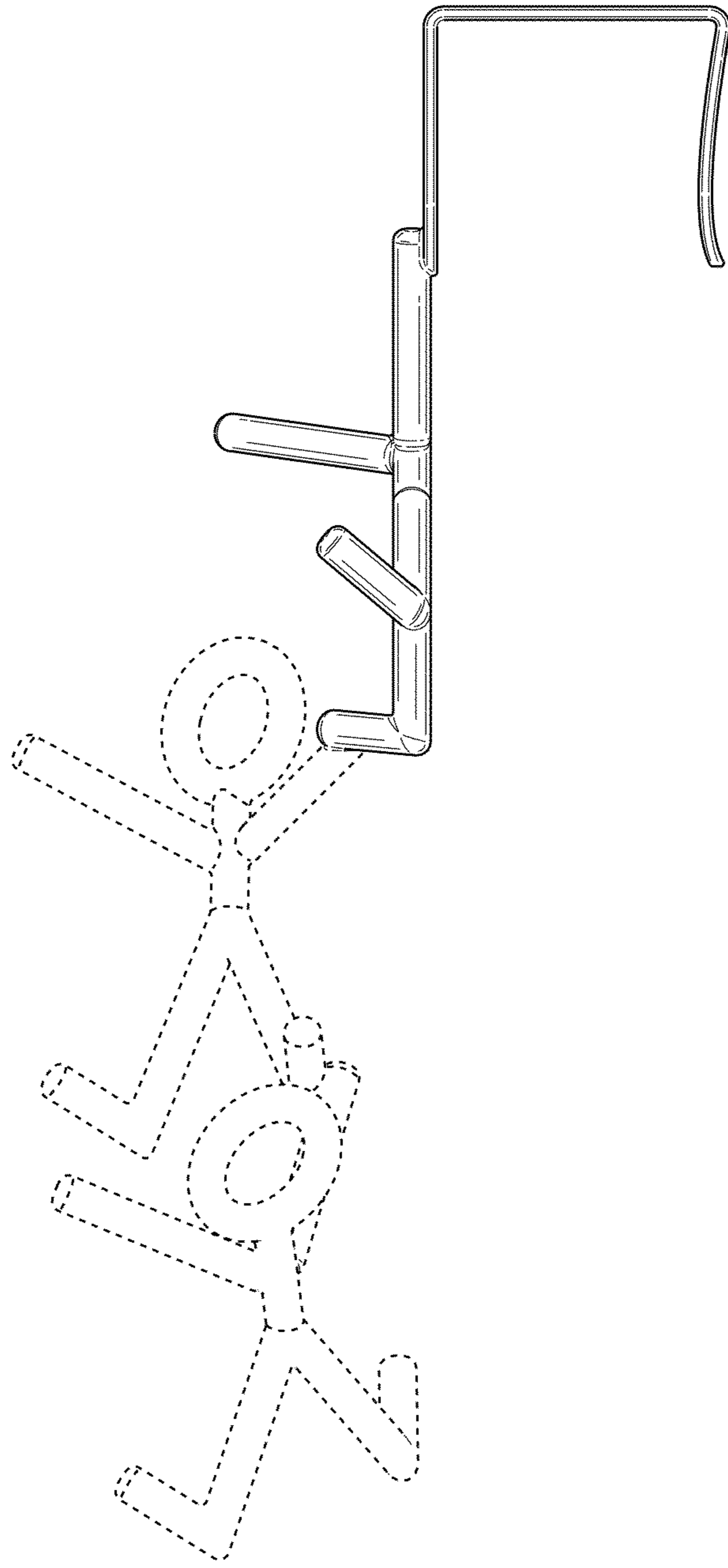
**FIG. 3**



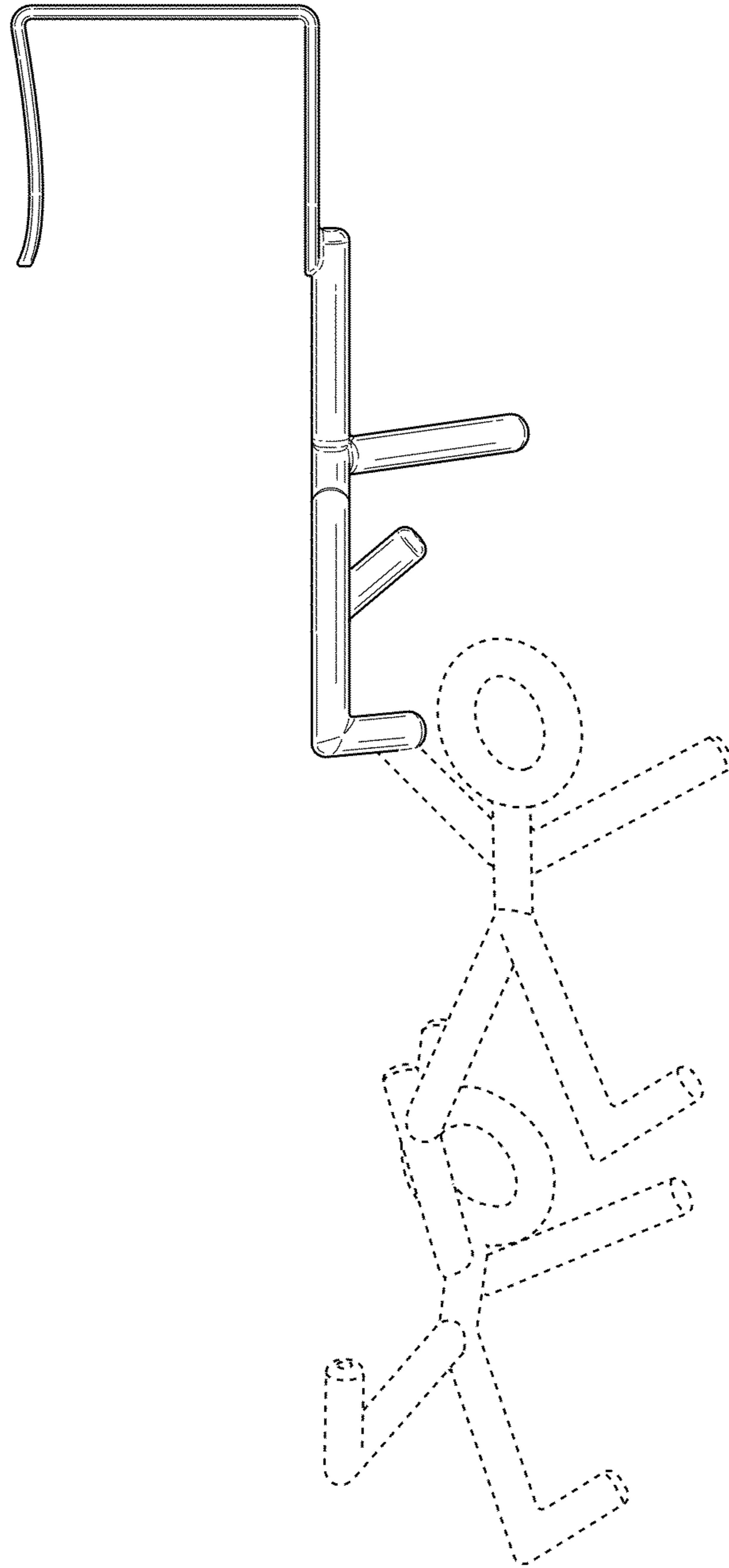
**FIG. 4**



**FIG. 5**



**FIG. 6**



**FIG. 7**