

US00D695593S

(12) **United States Design Patent**
Nunez Farfan

(10) **Patent No.:** **US D695,593 S**

(45) **Date of Patent:** **** Dec. 17, 2013**

(54) **SLIDING GATE GUIDE ROLLER BRACKET**

(76) **Inventor:** **Jorge Nunez Farfan**, San Fernando, CA (US)

(**) **Term:** **14 Years**

(21) **Appl. No.:** **29/394,543**

(22) **Filed:** **Jun. 17, 2011**

(51) **LOC (9) Cl.** **08-05**

(52) **U.S. Cl.**
USPC **D8/354**

(58) **Field of Classification Search**
USPC D8/349, 354, 355, 363, 373, 394, 333, D8/300; D12/115; 248/161, 158, 176, 274, 248/298, 499-500, 551, 680, 251, 309.1, 248/309.2, 300, 201, 218.4, 200, 140; 40/606, 612, 607.14, 607.12; 211/17-24; 24/455

See application file for complete search history.

(56) **References Cited**

U.S. PATENT DOCUMENTS

D321,124 S *	10/1991	Gary	D8/373
D321,125 S *	10/1991	Gary	D8/373
5,157,882 A *	10/1992	Soble	52/298
D342,011 S *	12/1993	Maguire	D8/349
D348,827 S *	7/1994	Berti et al.	D8/382
5,406,448 A *	4/1995	Anderson et al.	361/600
D359,466 S *	6/1995	Eggers et al.	D12/115
D378,986 S *	4/1997	Darula	D8/354

5,788,405 A *	8/1998	Beard	404/10
D409,895 S *	5/1999	Schron et al.	D8/349
D420,566 S *	2/2000	Ely et al.	D8/354
D426,453 S *	6/2000	Stearns et al.	D8/354
D437,282 S *	2/2001	Joll	D12/223
D474,958 S *	5/2003	Perdue	D8/349
D512,903 S *	12/2005	Gallien	D8/349
D547,168 S *	7/2007	Churchill	D8/382
D548,051 S *	8/2007	Ruppert et al.	D8/354
D552,947 S *	10/2007	Ewasiuk	D8/5
D614,477 S *	4/2010	Edwards	D8/354

* cited by examiner

Primary Examiner — Mark Goodwin

(57) **CLAIM**

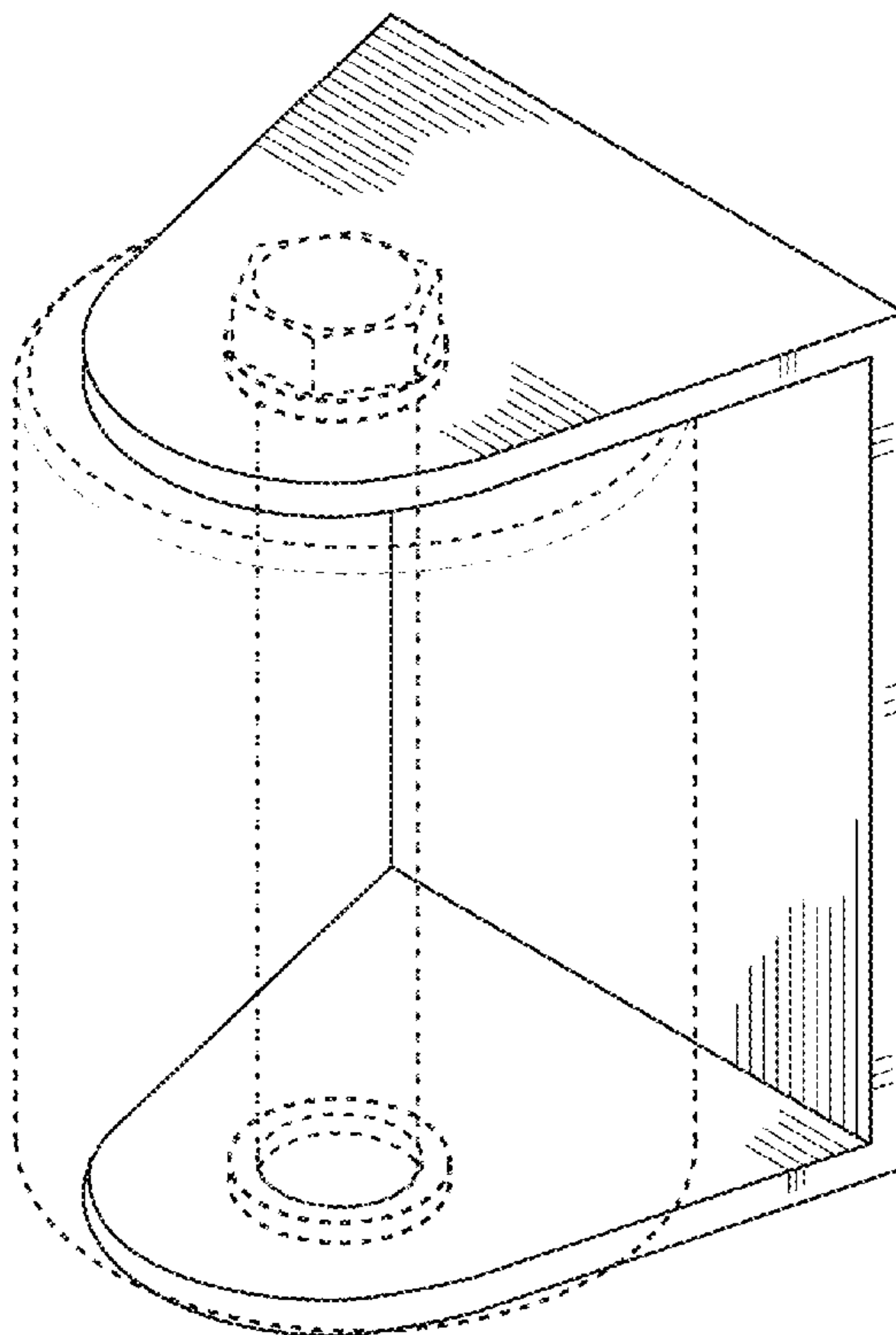
The ornamental design for a sliding gate guide roller bracket, as shown and described.

DESCRIPTION

FIG. 1 is a perspective view of the sliding gate guide roller bracket of the present invention; FIG. 2 is a side elevation view, the opposite side being a mirror image thereof; FIG. 3 is a front elevation view thereof; and, FIG. 4 is a top view, the bottom side view being identical thereof.

All portions of the drawing shown in dashed lines are for illustrative purposes only and form no part of the claimed design.

1 Claim, 2 Drawing Sheets



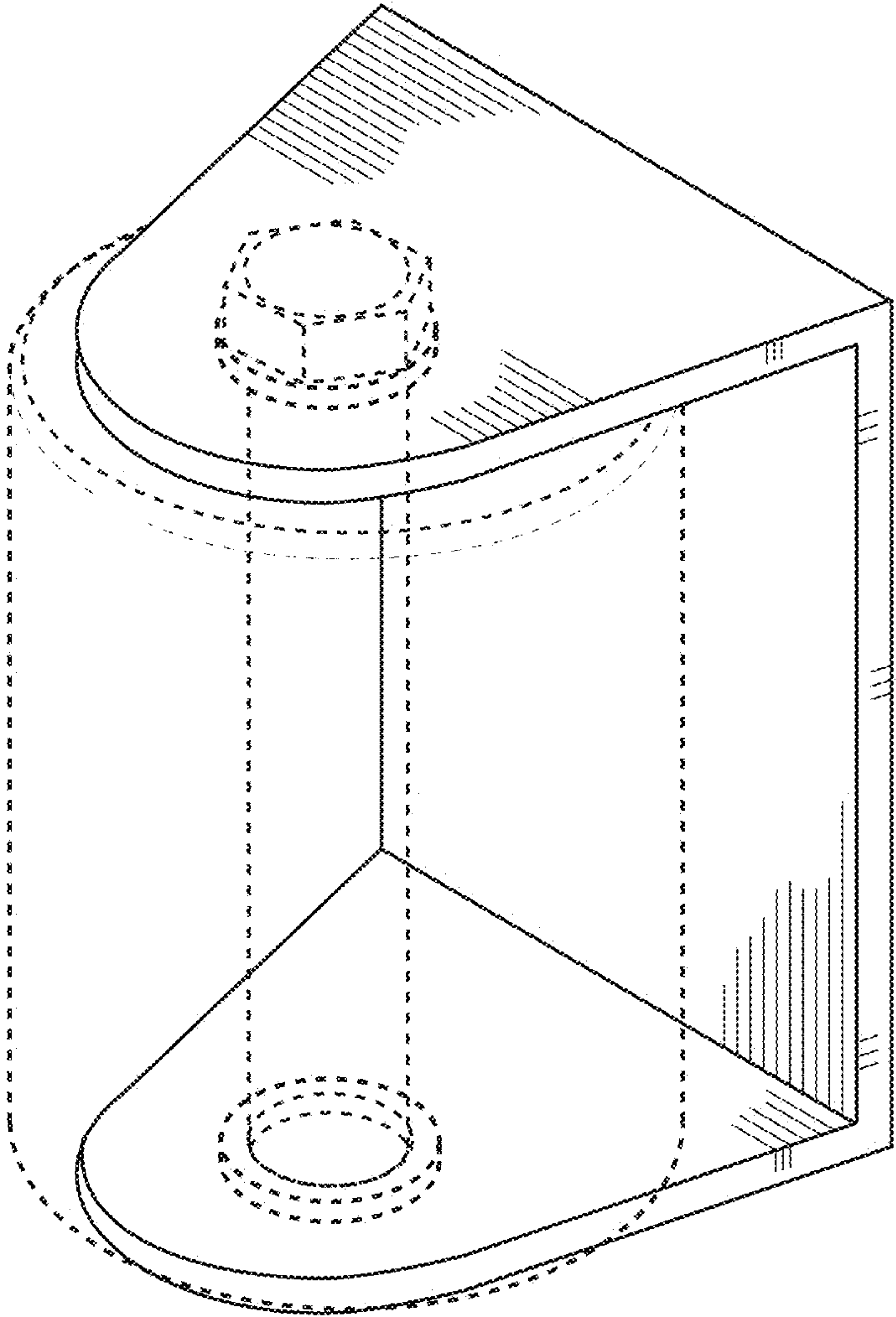


Fig. 1

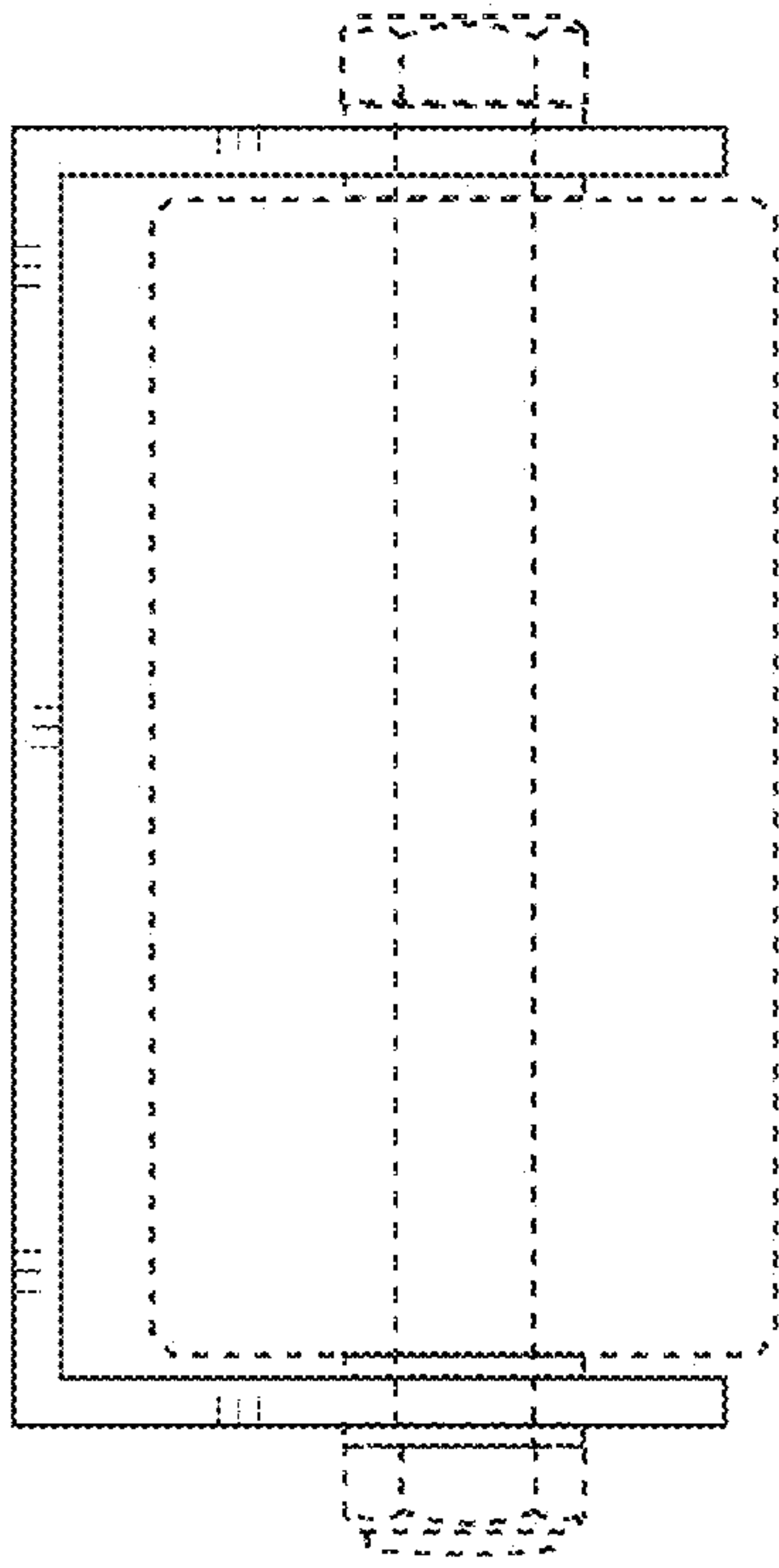


Fig. 2

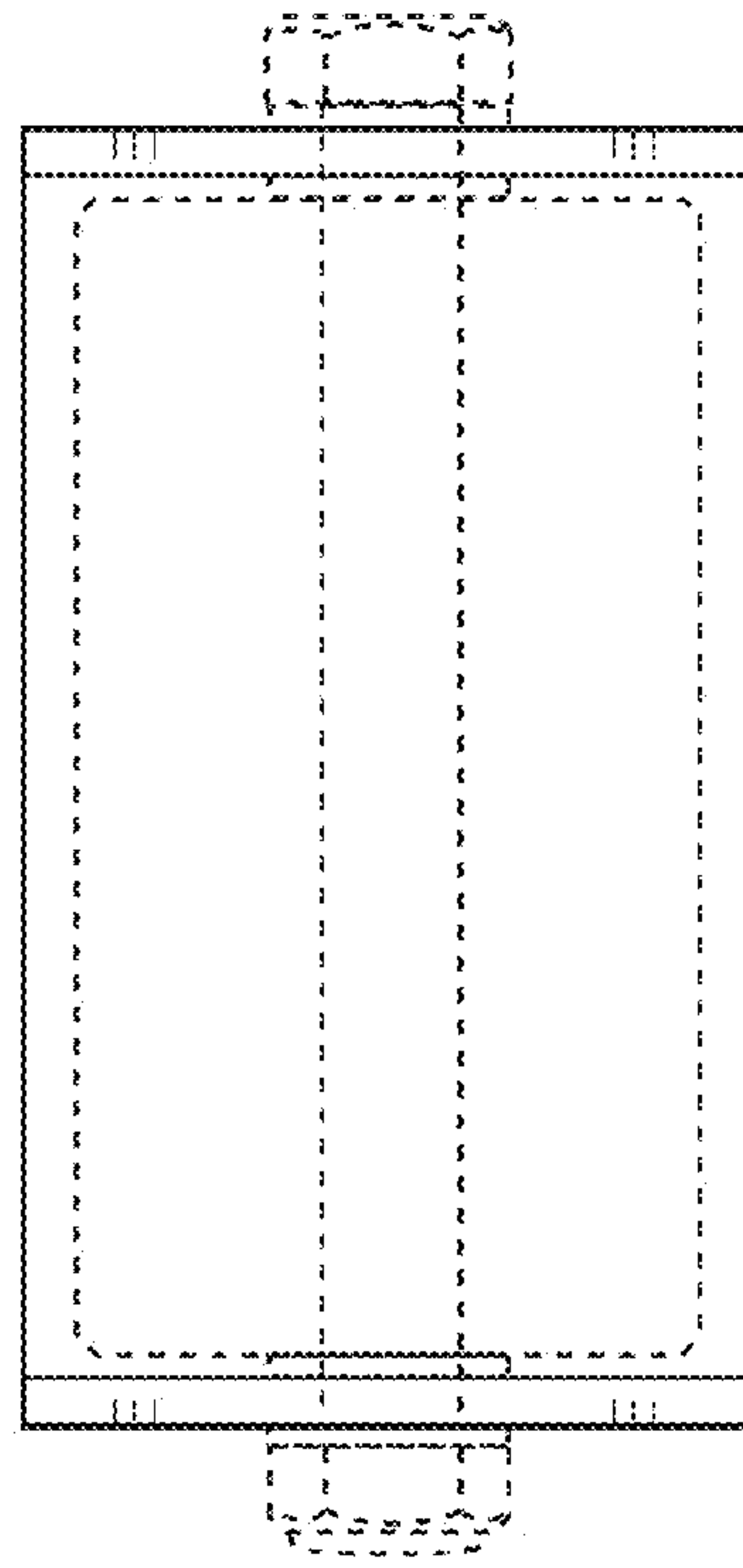


Fig. 3

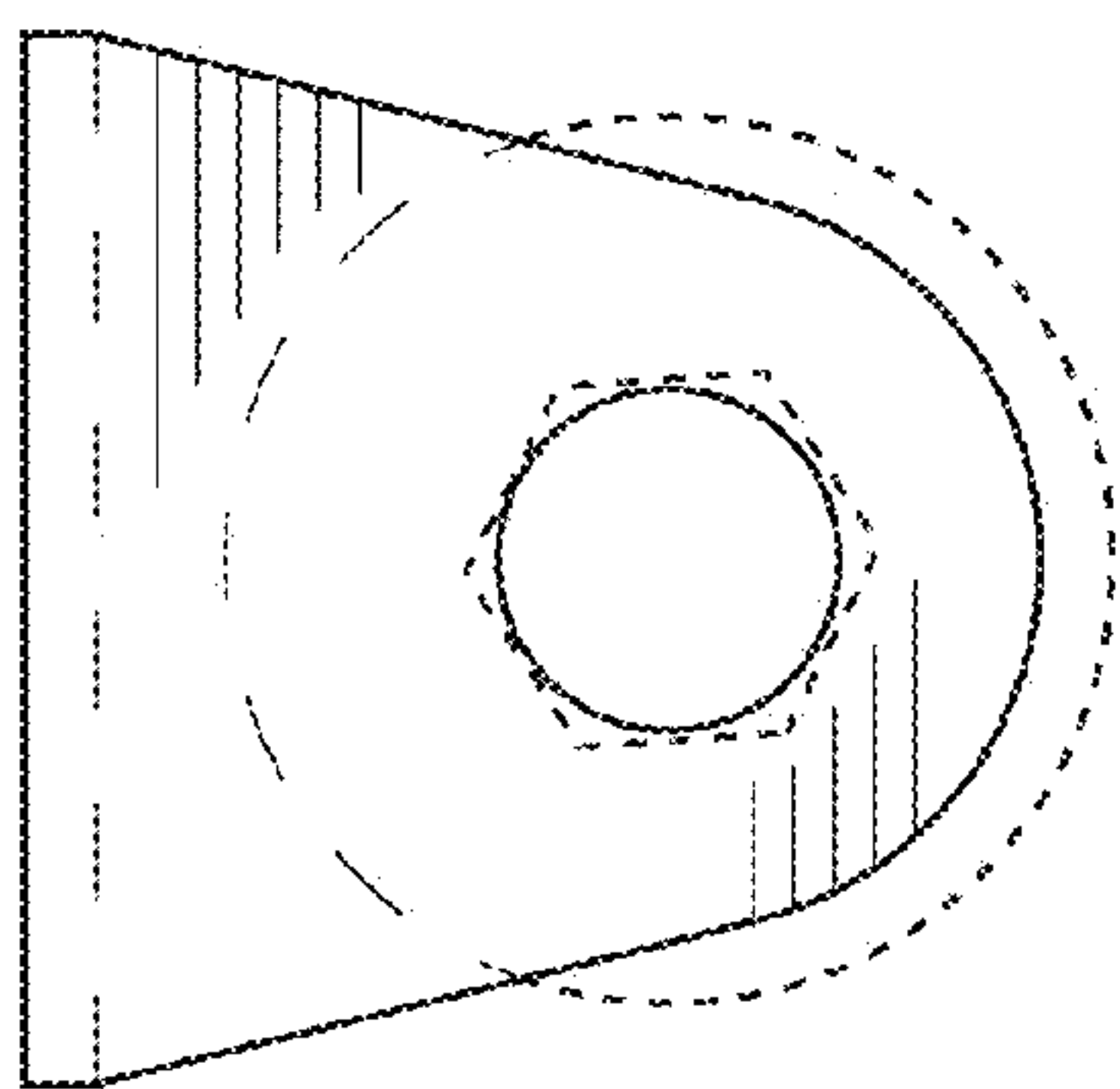


Fig. 4