



US00D695591S

(12) **United States Design Patent**  
**Ackerman et al.**

(10) **Patent No.:** **US D695,591 S**  
(45) **Date of Patent:** **\*\* Dec. 17, 2013**

(54) **FASTENER**

(75) Inventors: **Bryan L. Ackerman**, Freeland, MI (US); **Imtiaz A. Musaliar**, Racine, WI (US); **David J. VandenBranden**, Chicago, IL (US); **David P. Mather**, Milwaukee, WI (US)

(73) Assignee: **S.C. Johnson & Son, Inc.**, Racine, WI (US)

(\*\*) Term: **14 Years**

(21) Appl. No.: **29/392,543**

(22) Filed: **May 23, 2011**

(51) **LOC (9) Cl.** ..... **08-08**

(52) **U.S. Cl.**  
USPC ..... **D8/349**

(58) **Field of Classification Search**  
USPC ..... D8/349, 354, 382, 356, 394; 24/584.1, 24/104, 586.11, 713.6, 297, 289; 16/2.1; 411/339, 337, 913, 508-511, 45; 403/303

See application file for complete search history.

2,871,901 A 2/1959 Nash  
3,124,187 A 3/1964 Bosca et al.  
3,160,936 A 12/1964 Kapp  
3,175,231 A 3/1965 Magario et al.  
3,283,992 A 11/1966 Hanson et al.  
3,400,591 A 9/1968 Larson  
3,827,551 A 8/1974 Croft  
3,887,960 A \* 6/1975 Sherman ..... 16/2.2  
4,757,662 A \* 7/1988 Gasser ..... 52/410  
4,761,860 A \* 8/1988 Krauss ..... 24/713.6  
D297,615 S \* 9/1988 Nakama ..... D8/382  
4,995,436 A 2/1991 Cantor  
5,050,713 A 9/1991 Lee  
5,069,586 A \* 12/1991 Casey ..... 411/339  
D324,305 S 3/1992 Prey  
5,092,682 A 3/1992 Fenick  
5,195,860 A \* 3/1993 Steyn ..... 411/526  
5,305,935 A 4/1994 Weiner  
5,358,280 A 10/1994 Scales  
D362,176 S \* 9/1995 Solbeck ..... D8/382  
5,647,107 A 7/1997 Brewster  
5,722,126 A 3/1998 Reiter  
5,947,241 A 9/1999 Rausch  
6,006,406 A \* 12/1999 Chung ..... 24/713.6  
6,012,557 A 1/2000 Derelanko  
6,223,390 B1 \* 5/2001 LoTufo ..... 16/110.1  
6,224,258 B1 5/2001 Dodson  
6,233,782 B1 5/2001 Regele et al.

(Continued)

Primary Examiner — Mark Goodwin

(56) **References Cited**  
U.S. PATENT DOCUMENTS

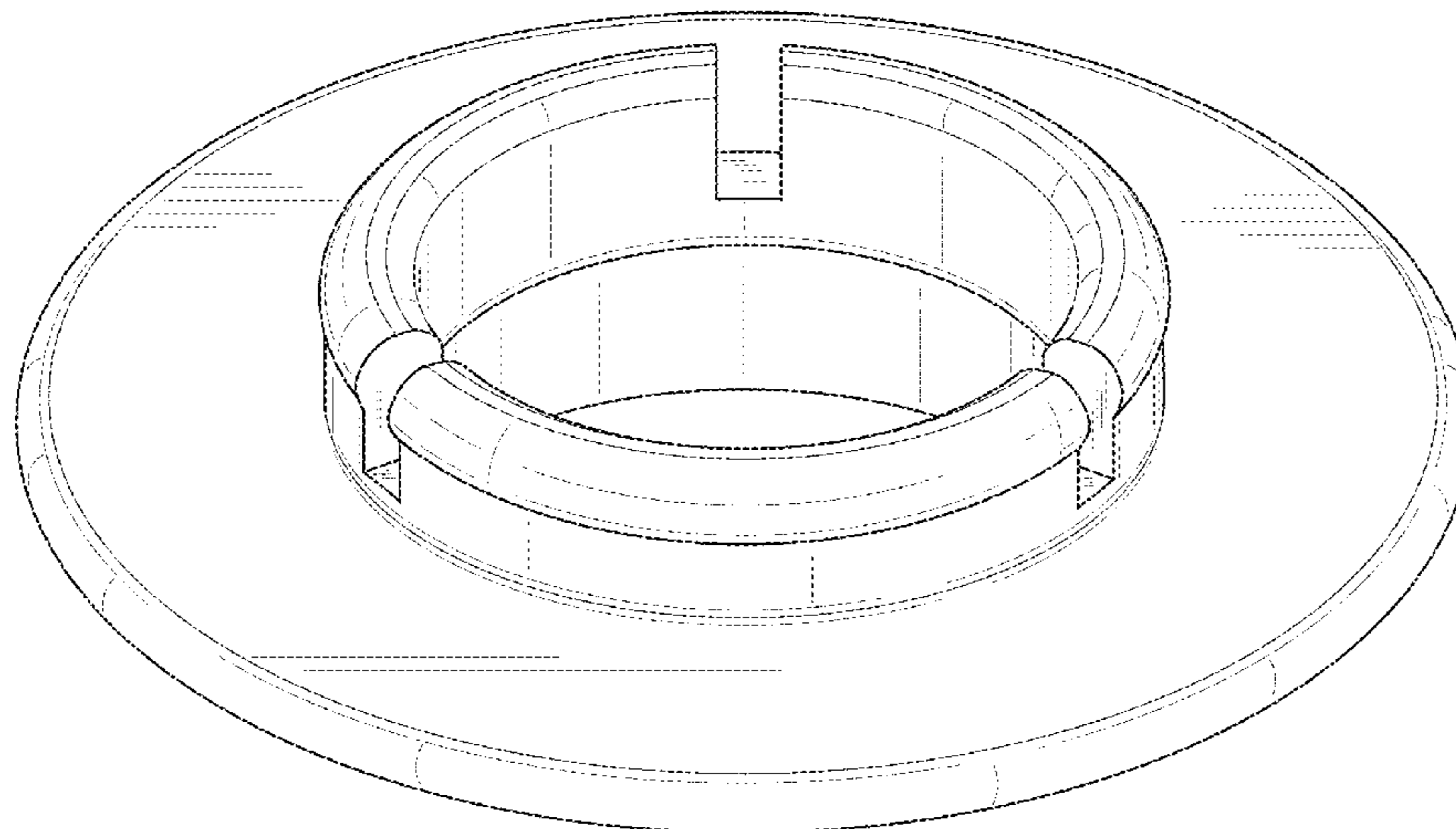
16,829 A 3/1857 French  
257,750 A \* 5/1882 Parcelle ..... 16/2.1  
915,452 A 3/1909 Litts  
1,254,966 A 1/1918 Bens  
1,341,688 A 9/1919 Moss  
1,402,951 A 1/1922 Olson  
2,159,279 A 5/1939 Lipowsky et al.  
2,652,751 A 9/1953 Vogt  
2,653,752 A 9/1953 Vogt  
2,671,602 A 3/1954 Vogt  
2,681,677 A 6/1954 Poeltl  
2,688,435 A 9/1954 Vogt  
2,715,493 A 8/1955 Vogt

(57) **CLAIM**  
The ornamental design for the fastener, as shown and described.

**DESCRIPTION**

FIG. 1 is a top perspective view of a fastener showing our new design.  
FIG. 2 is a bottom perspective view thereof.  
FIG. 3 is a bottom plan view thereof.  
FIG. 4 is a top plan view thereof; and,  
FIG. 5 is a side elevation view thereof.

**1 Claim, 5 Drawing Sheets**



(56)

**References Cited**

U.S. PATENT DOCUMENTS

6,374,455	B1 *	4/2002	Regele et al. ....	16/2.1	D590,702	S *	4/2009	Giddings .....	D8/382
6,471,402	B1	10/2002	Burns		D595,123	S *	6/2009	Aoki .....	D8/382
6,536,951	B1	3/2003	Sill		7,617,575	B2 *	11/2009	Sugihara et al. ....	24/691
6,575,300	B2	6/2003	Meyer et al.		7,752,718	B2 *	7/2010	Fisher et al. ....	24/114.4
6,757,945	B2 *	7/2004	Shibuya et al. ....	24/662	8,096,017	B2 *	1/2012	Van Walraven et al. ....	16/2.1
7,097,358	B2	8/2006	Keith et al.		8,109,672	B1 *	2/2012	Ackerman et al. ....	383/37
7,100,237	B2 *	9/2006	Katayama .....	16/2.1	8,192,083	B2 *	6/2012	Bautista .....	383/9
7,150,081	B2	12/2006	Juan		8,308,115	B2 *	11/2012	Goto .....	248/205.1
D586,207	S *	2/2009	Giddings .....	D8/382	2008/0031551	A1	2/2008	Jones	
					2009/0034885	A1	2/2009	McGruder	
					2009/0077842	A1 *	3/2009	Plank et al. ....	40/124.06
					2010/0254632	A1	10/2010	Schneider	

\* cited by examiner

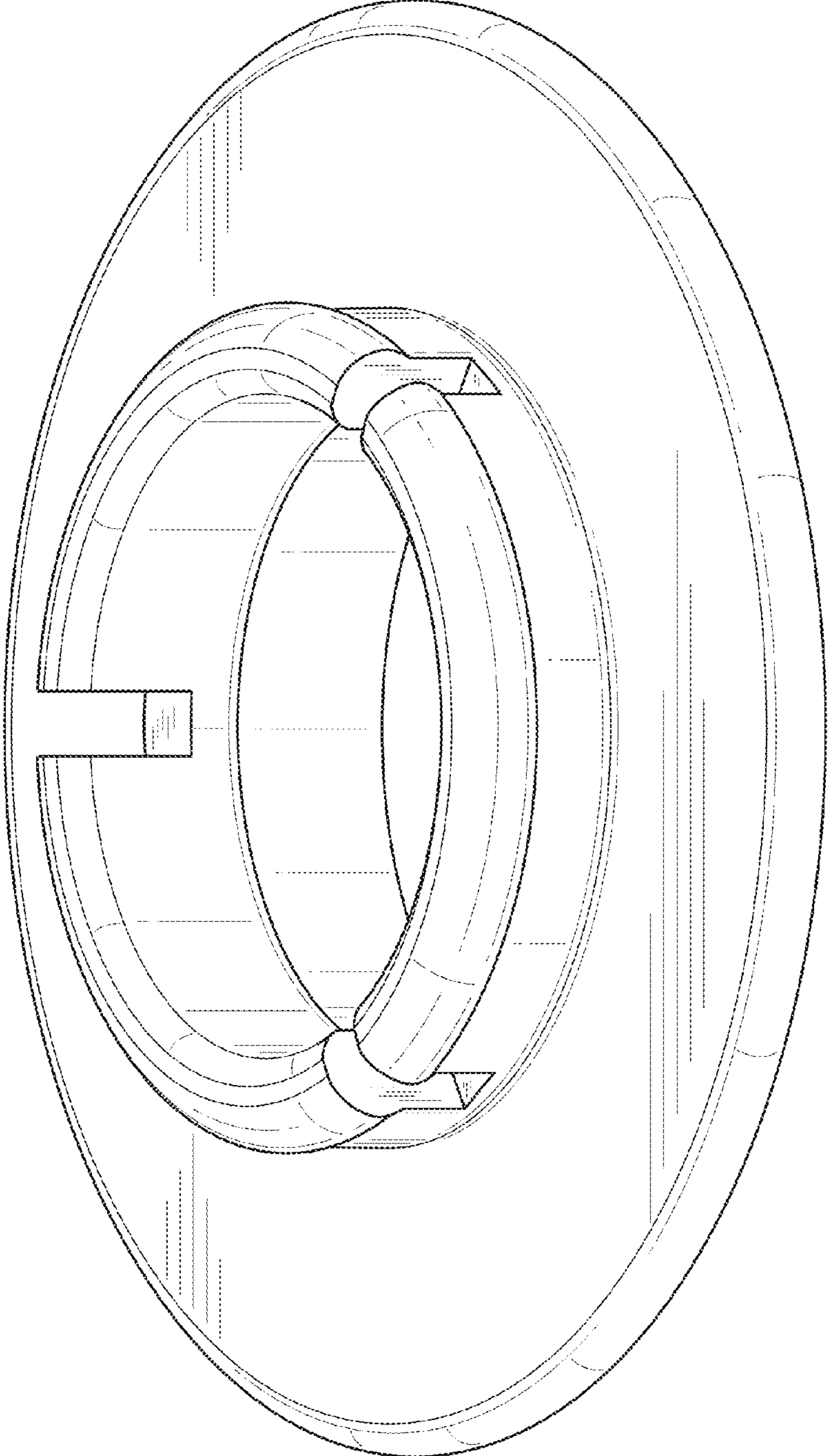


FIG. 1

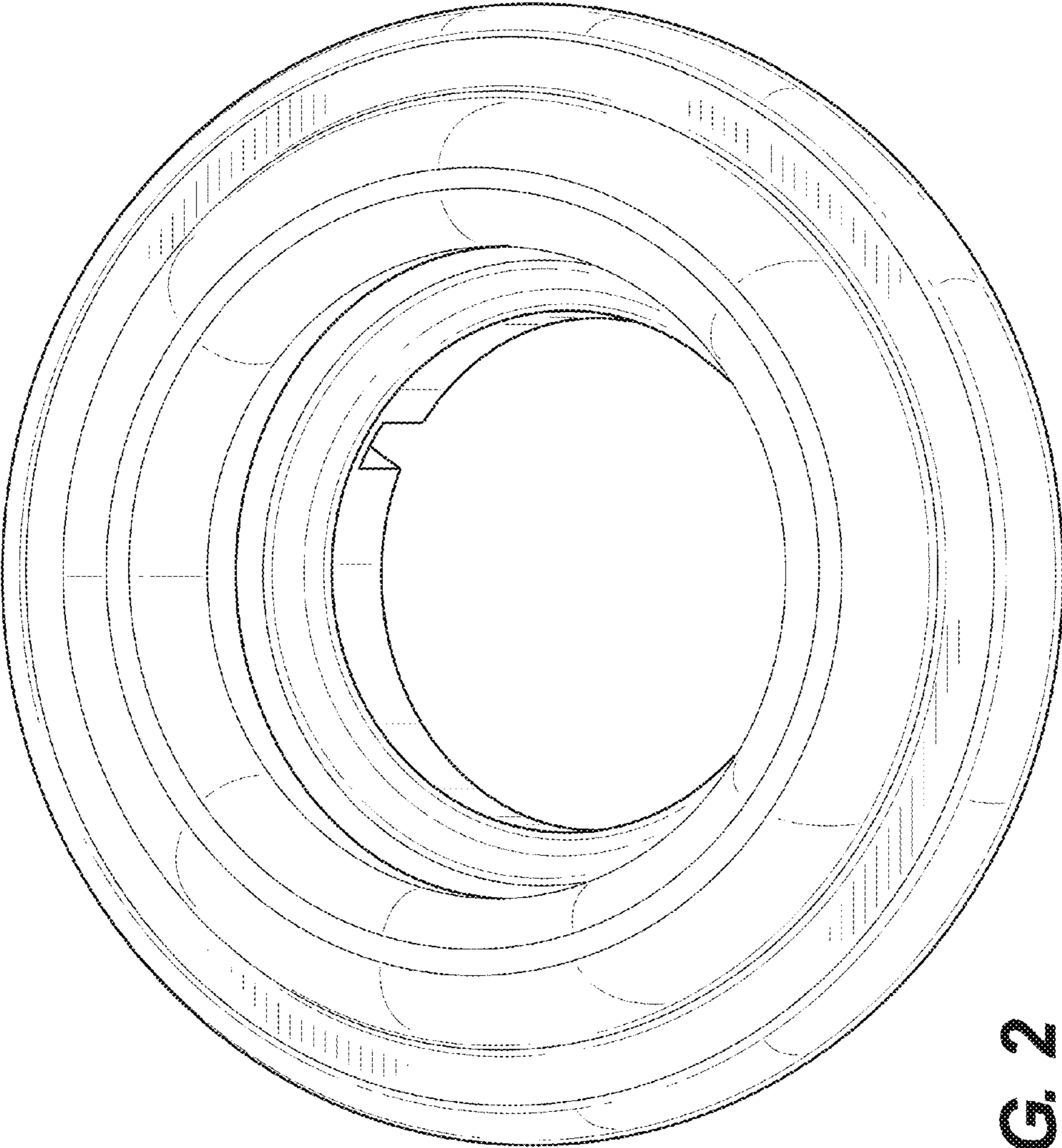
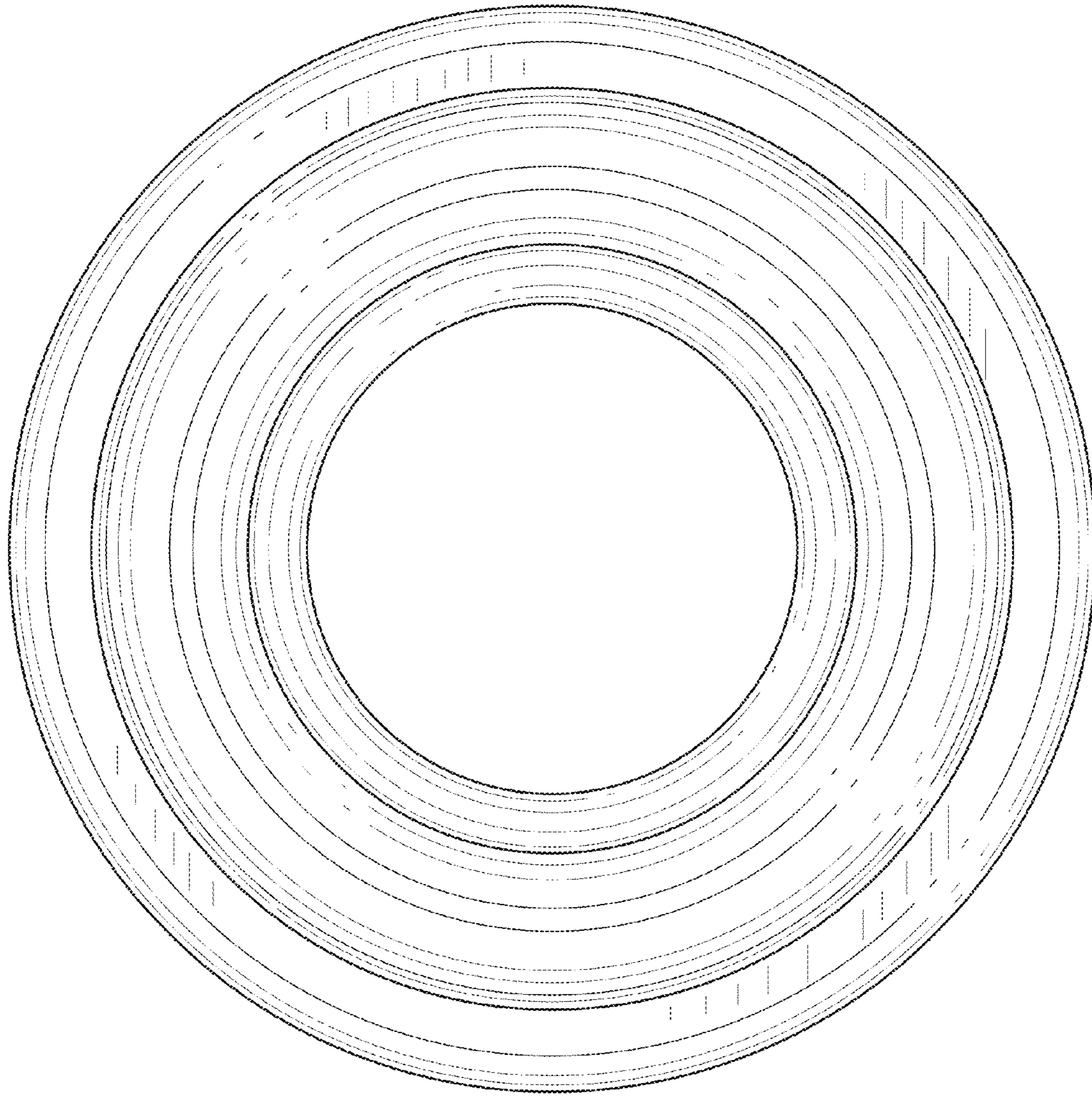
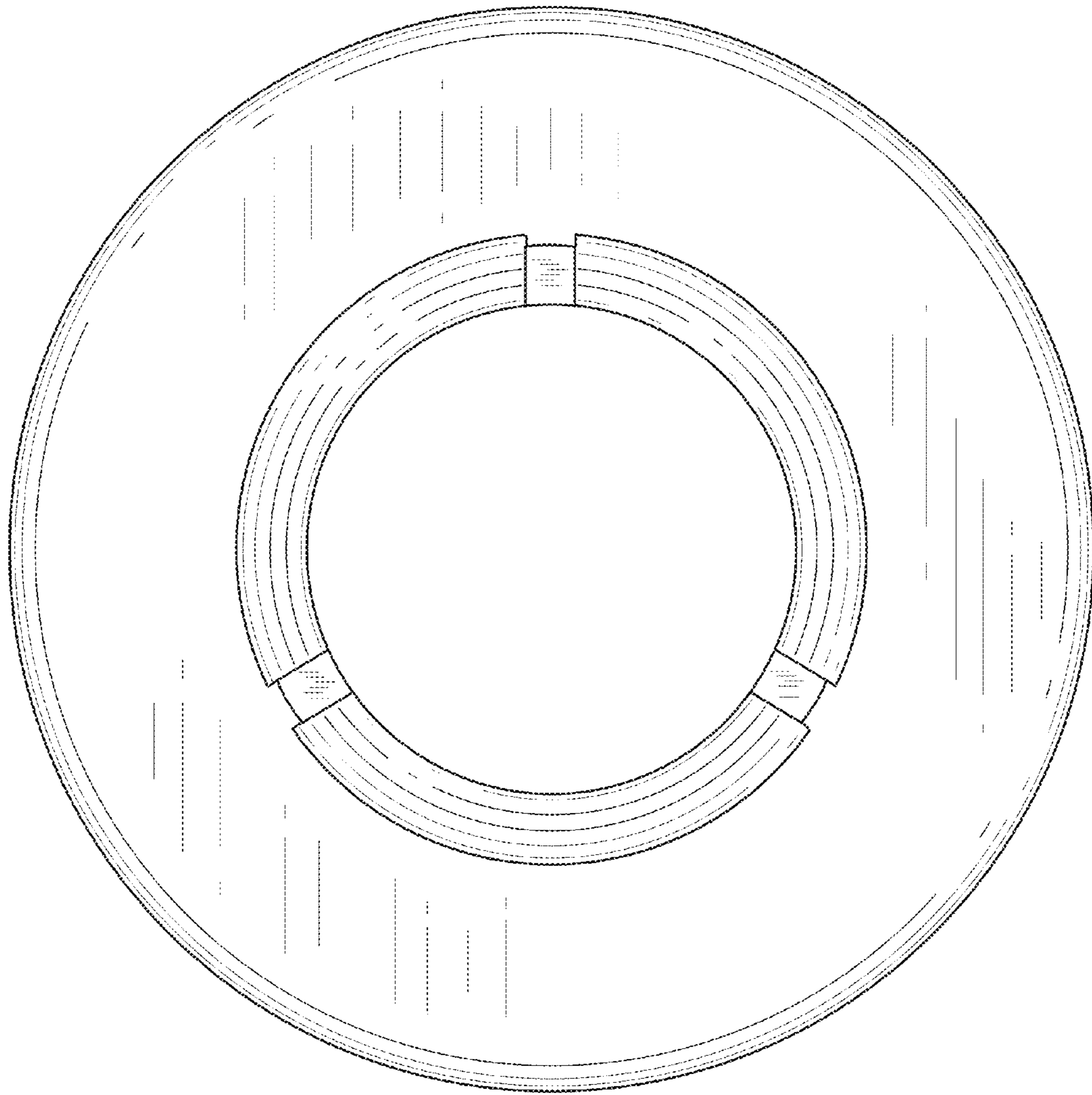


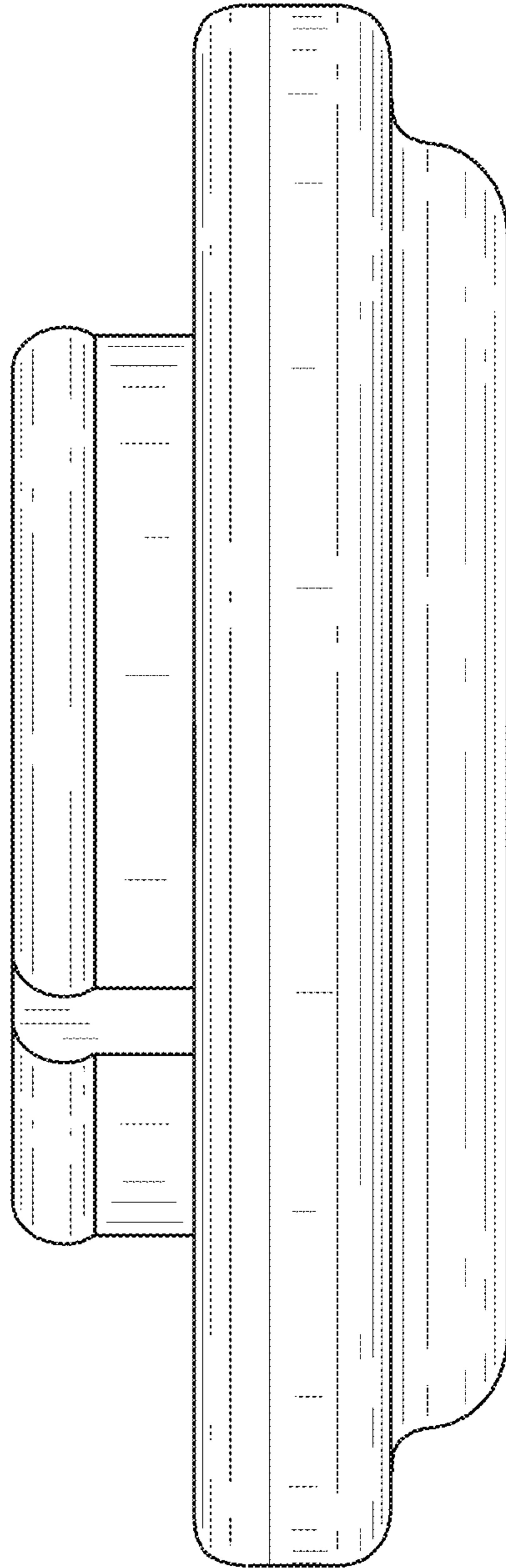
FIG. 2



**FIG. 3**



**FIG. 4**



**FIG. 5**