



US00D695590S

(12) **United States Design Patent**
Poillot et al.

(10) **Patent No.:** **US D695,590 S**

(45) **Date of Patent:** **** Dec. 17, 2013**

(54) **KEY SUPPORT**

(71) Applicant: **Stanley Works (Europe) GmbH**,
Dubendorf (CH)

(72) Inventors: **Anthony Poillot**, Besancon (FR);
Christophe Panier, Besancon (FR);
Pierre Tillier, Francois (FR)

(73) Assignee: **Stanley Works (Europe) GmbH**,
Duebendorf (CH)

(**) Term: **14 Years**

(21) Appl. No.: **29/432,941**

(22) Filed: **Sep. 24, 2012**

(30) **Foreign Application Priority Data**

Mar. 23, 2012 (EM) 001319172

(51) **LOC (9) Cl.** **08-07**

(52) **U.S. Cl.**
USPC **D8/347; D8/343**

(58) **Field of Classification Search**
USPC D8/347, 348, 343, 349, 499, 330, 331;
14/14, 78, 336, 431, 429, 430, 448,
14/466, 460; D3/38.1

See application file for complete search history.

(56) **References Cited**

U.S. PATENT DOCUMENTS

3,780,550	A *	12/1973	Simorgh	70/395
D475,194	S *	6/2003	Sikaras	D3/207
6,763,938	B1 *	7/2004	Nelson	206/37.1
7,425,672	B2 *	9/2008	Haba et al.	84/423 R
7,513,134	B2 *	4/2009	Hashimoto et al.	70/456 R
7,661,634	B2 *	2/2010	Thompson	248/74.3
D624,305	S *	9/2010	Downes	D3/207
D624,307	S *	9/2010	Case	D3/207
D635,842	S *	4/2011	Garcia De Vicuna	D8/347
7,976,329	B2 *	7/2011	Foung	439/352
8,327,563	B2 *	12/2012	Dingwall et al.	37/455
8,418,843	B2 *	4/2013	Palmer	206/37.1

* cited by examiner

Primary Examiner — Prabhakar Deshmukh

(74) *Attorney, Agent, or Firm* — Richard J. Veltman; John D. Delponti

(57) **CLAIM**

The ornamental design for a key support, as shown and described.

DESCRIPTION

FIG. 1 is a front perspective view of a key support showing our new design.

FIG. 2 is a left side view thereof.

FIG. 3 is a right side view thereof.

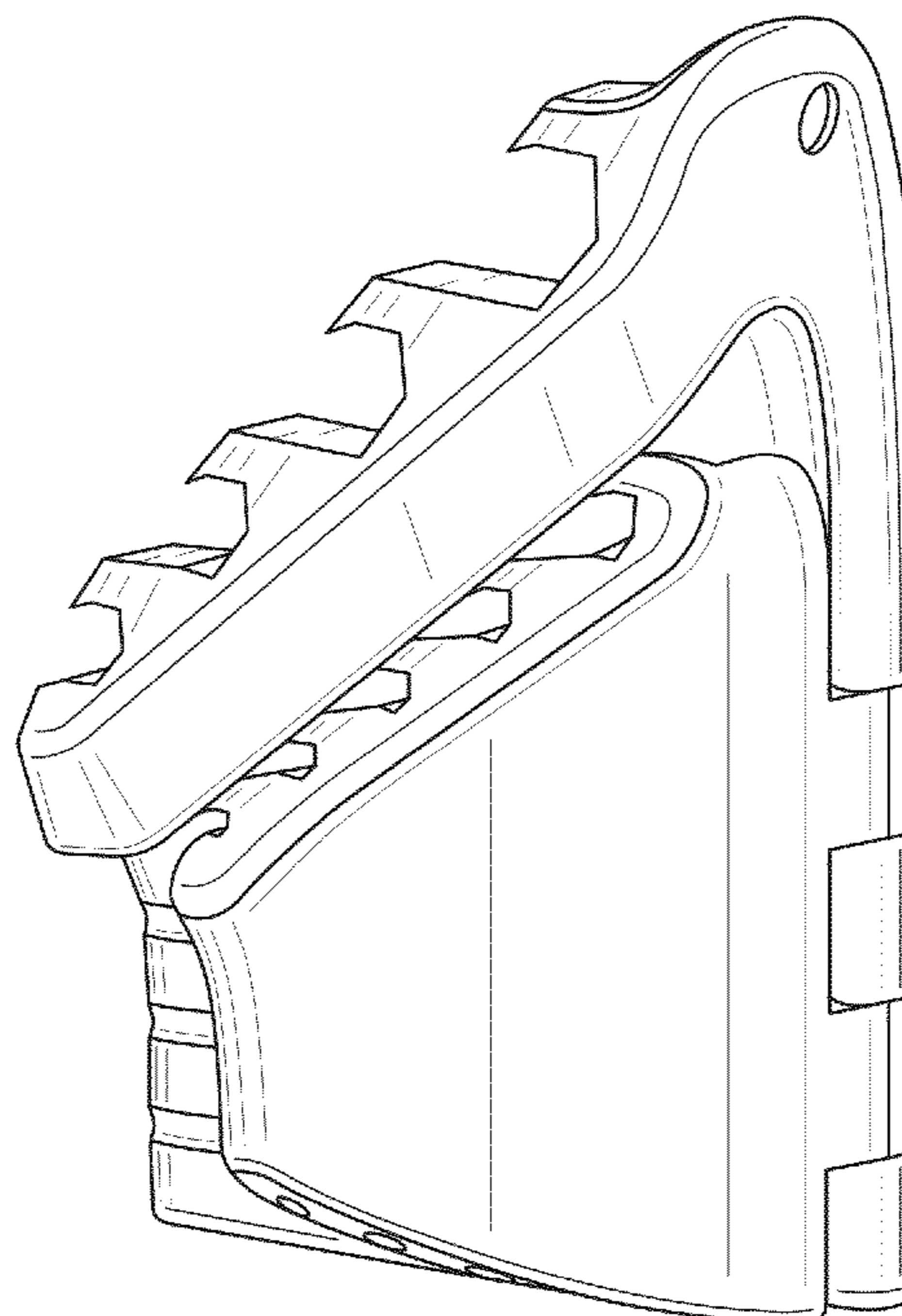
FIG. 4 is a front view thereof.

FIG. 5 is a rear side view thereof.

FIG. 6 is a top view thereof; and,

FIG. 7 is a bottom view thereof.

1 Claim, 4 Drawing Sheets



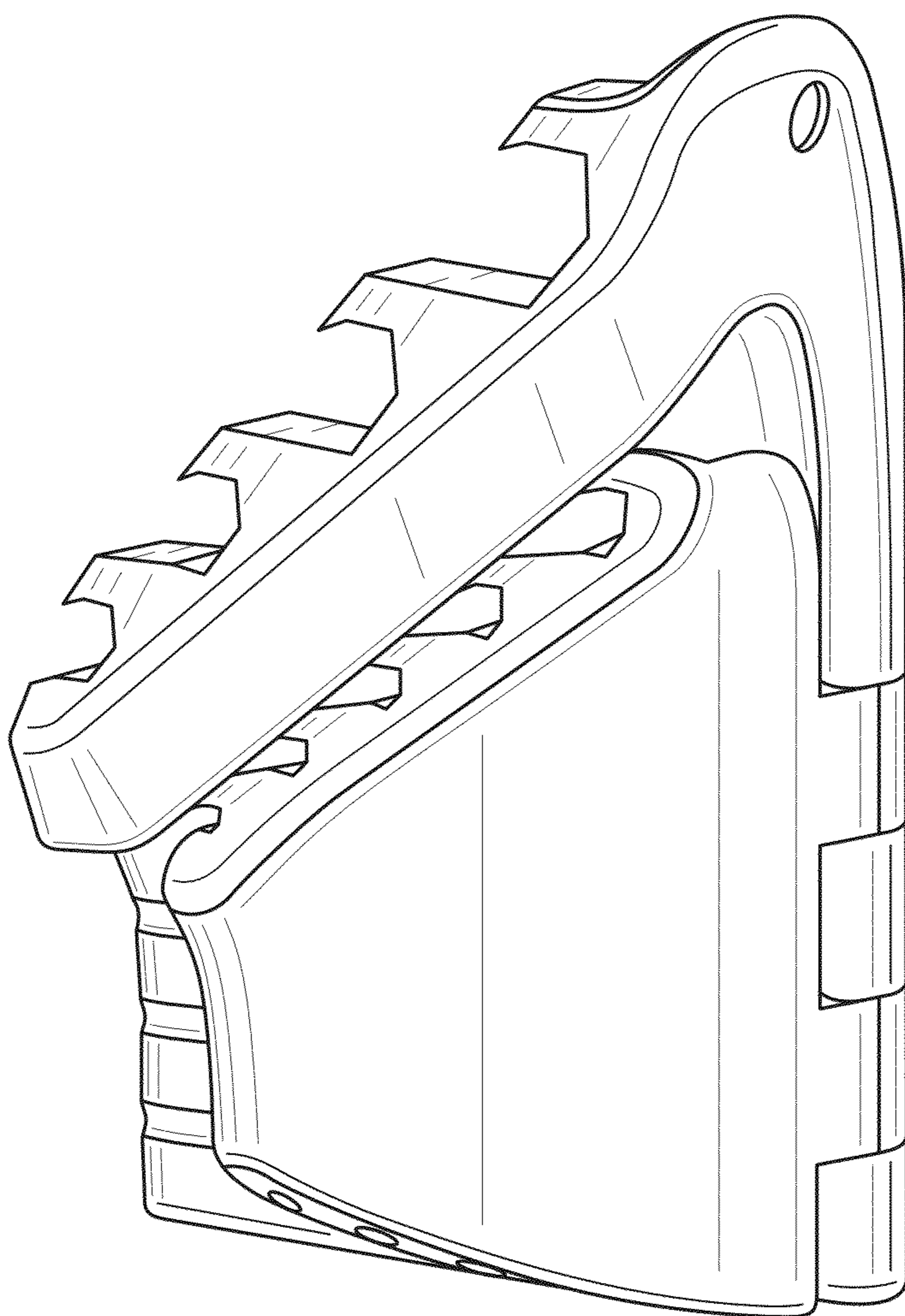


FIG. 1

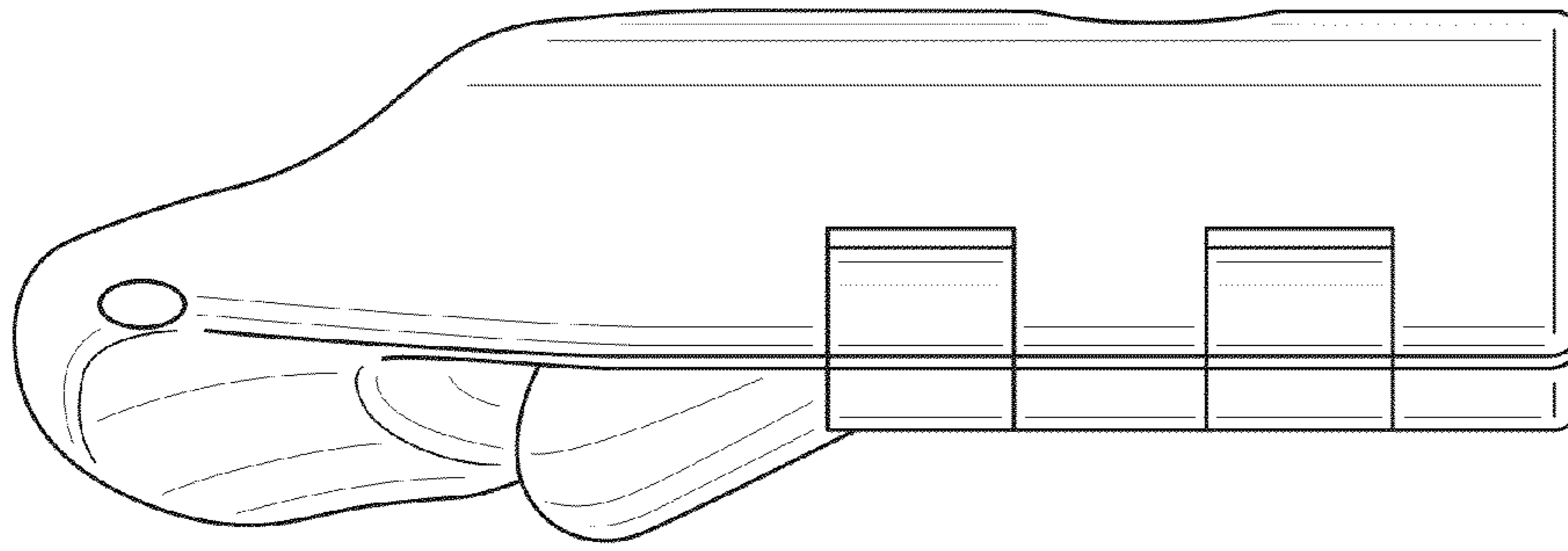


FIG. 3

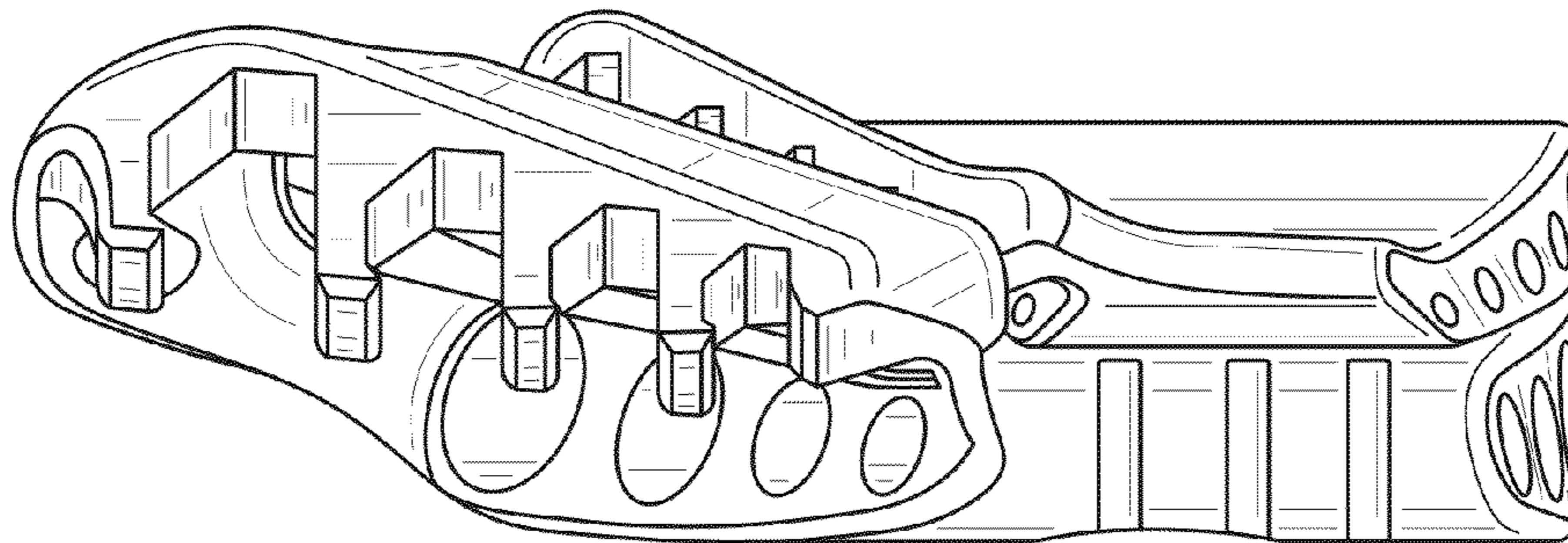


FIG. 2

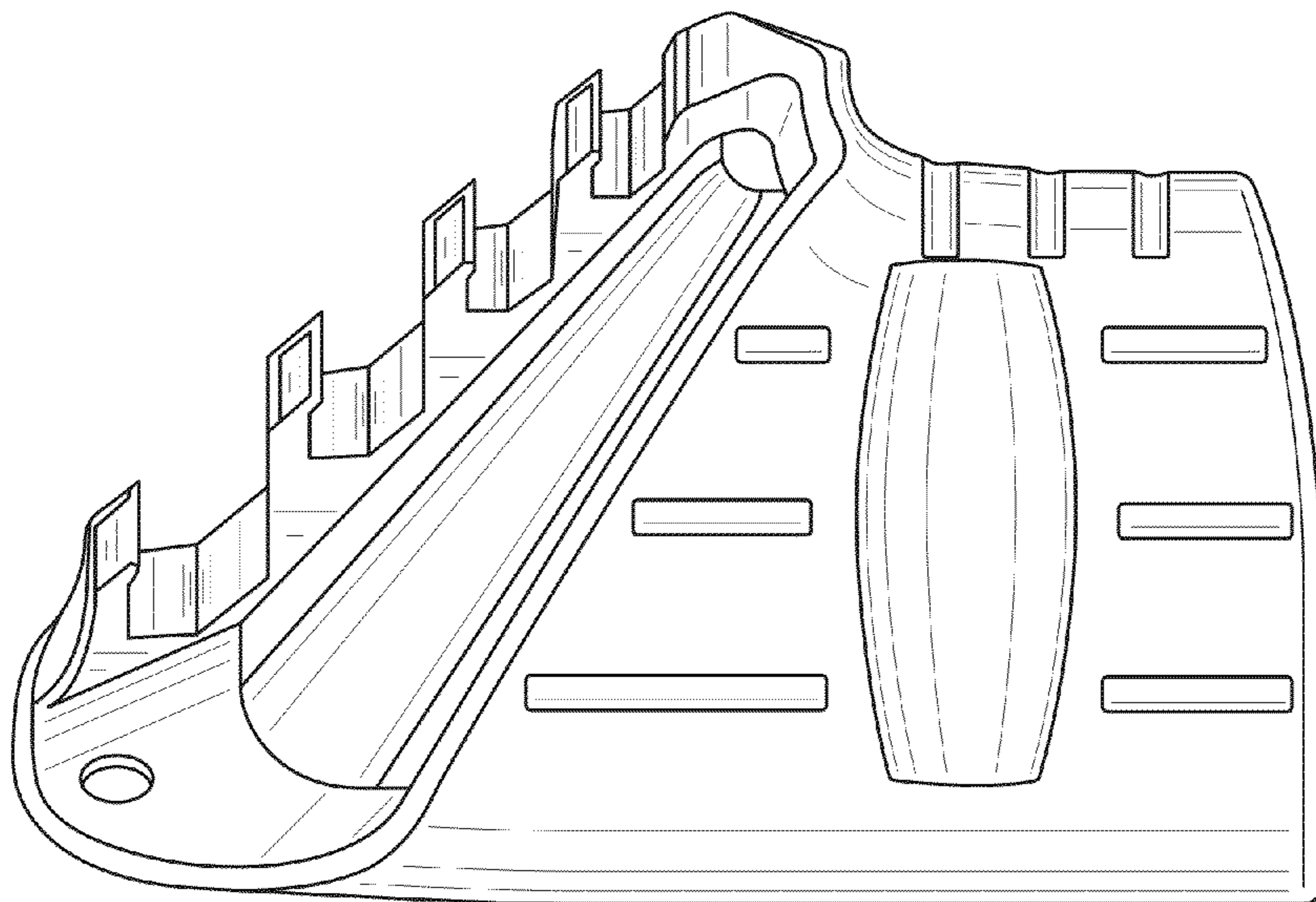


FIG. 5

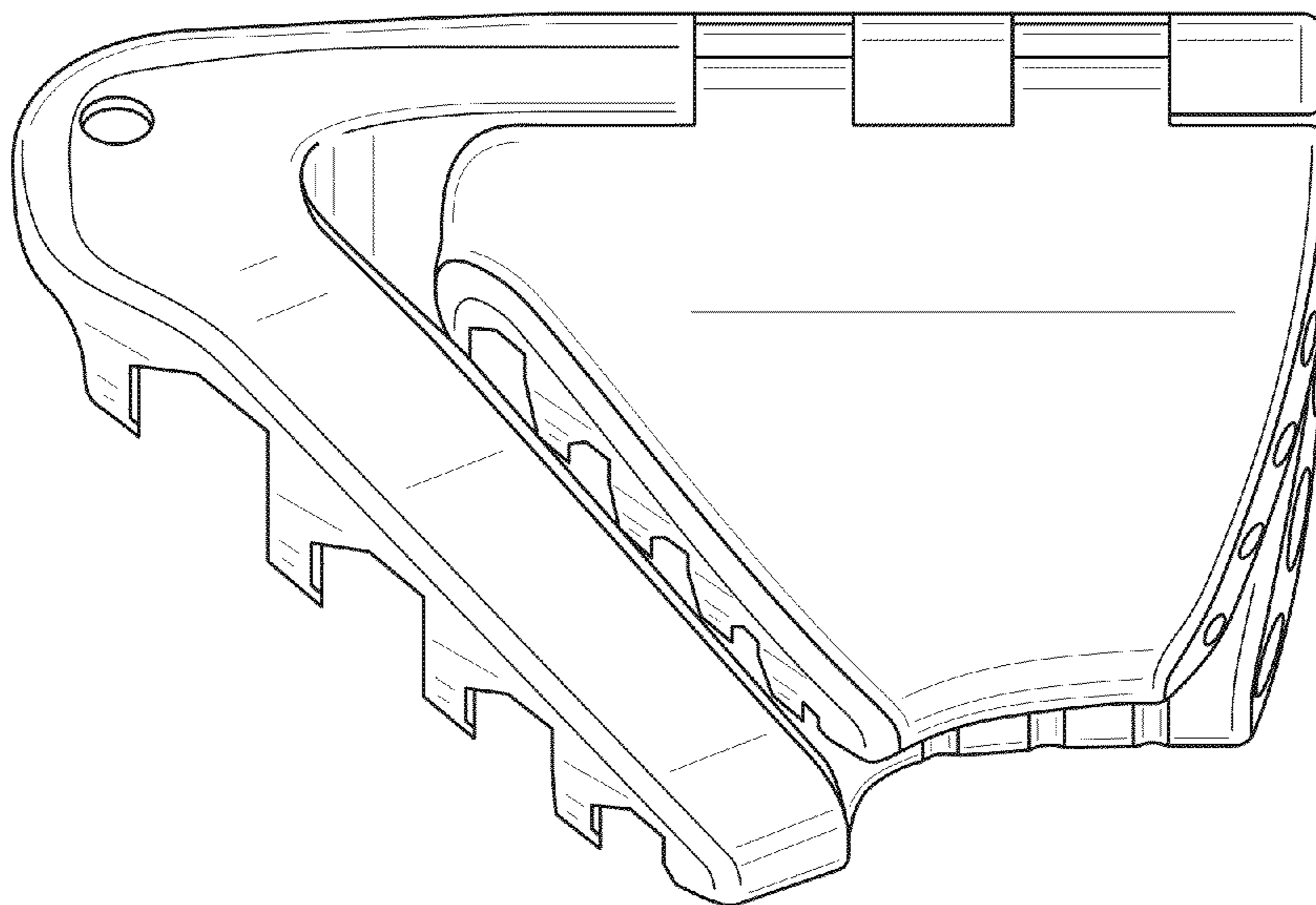


FIG. 4

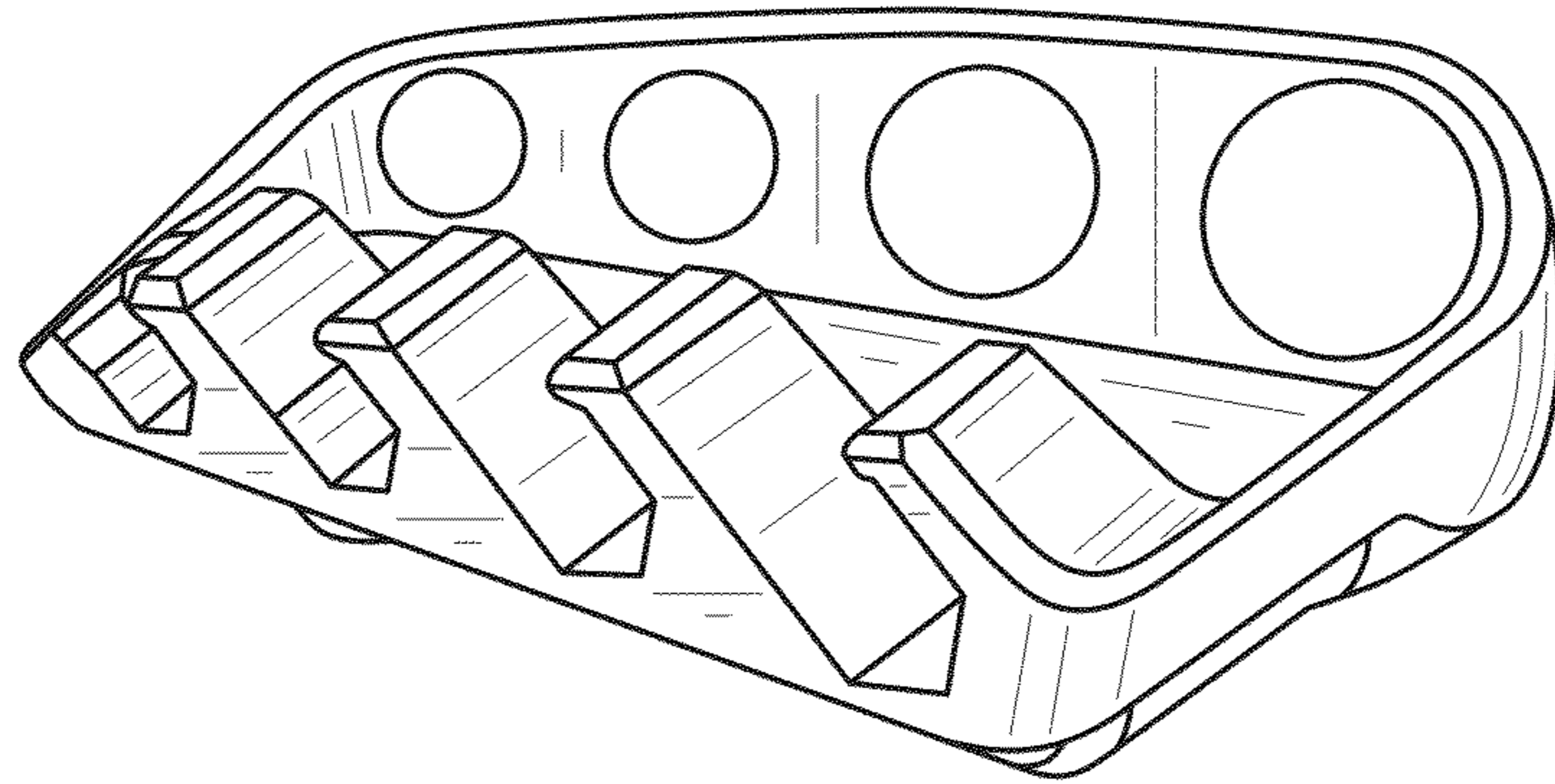


FIG. 6

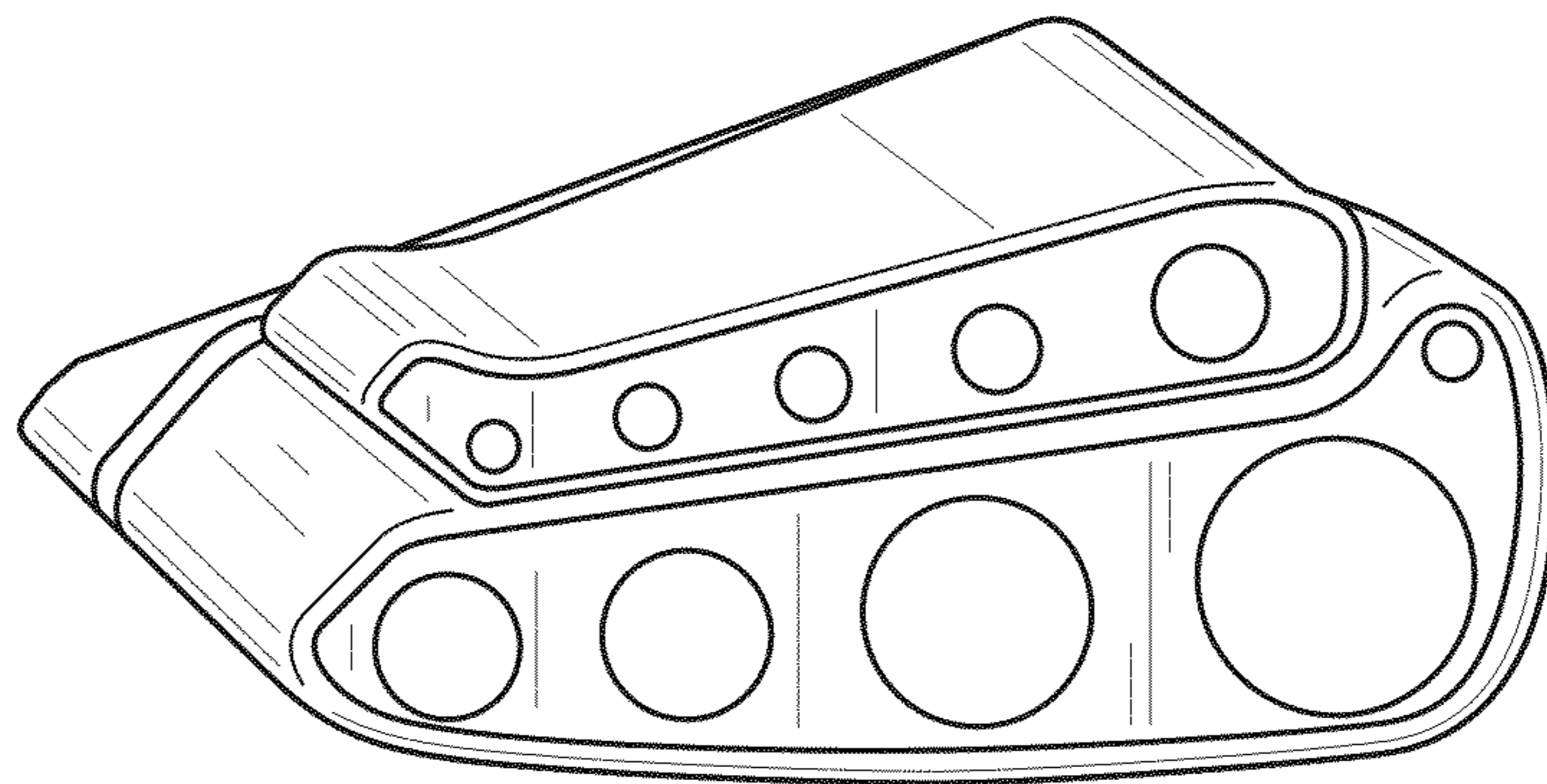


FIG. 7