

US00D695586S

(12) **United States Design Patent**
Brown et al.

(10) **Patent No.:** **US D695,586 S**
(45) **Date of Patent:** **** Dec. 17, 2013**

(54) **OPTICAL SCOPE MAGNIFICATION THROW LEVER**

(71) Applicant: **Lightforce USA, d/b/a Nightforce Optics, Inc., Orofino, ID (US)**

(72) Inventors: **Arthur Kyle Brown, Hartwell, GA (US); Grant M. W. Minor, Kendrick, ID (US)**

(73) Assignee: **Lightforce USA, Inc., Orofino, ID (US)**

(**) Term: **14 Years**

(21) Appl. No.: **29/433,822**

(22) Filed: **Oct. 5, 2012**

(51) **LOC (9) Cl.** **08-06**

(52) **U.S. Cl.**
USPC **D8/307; D8/305; D16/130**

(58) **Field of Classification Search**
USPC D8/300, 307, 306, 312, 310, DIG. 2, D8/DIG. 3; D16/130, 136, 137; D22/108; 16/110.1, 412, 415, 417, DIG. 30, 441, 16/422; 292/347; D7/396; D11/90; D24/129

See application file for complete search history.

(56) **References Cited**

U.S. PATENT DOCUMENTS

D73,182	S	*	8/1927	Kasch	D8/310
D85,505	S	*	11/1931	Zell	D11/90
1,862,964	A	*	6/1932	Lilligren	16/111.1
D101,826	S	*	11/1936	Sinko	D8/312
2,171,361	A	*	8/1939	Gits et al.	16/441
2,182,007	A	*	12/1939	Tegarty	16/441
D131,090	S	*	1/1942	Schlage	D8/312
2,512,440	A	*	6/1950	Rook	16/441
D187,847	S	*	5/1960	Kohler	D23/250

2,978,927	A	*	4/1961	Blanton	74/545
D204,086	S	*	3/1966	Russell	D8/312
3,561,287	A	*	2/1971	Lawrence, Jr.	74/553
D241,520	S	*	9/1976	Fujita et al.	D8/397
D241,843	S	*	10/1976	Shames	D23/250
D248,922	S	*	8/1978	Osak, Jr.	D8/82
D252,208	S	*	6/1979	Ooya	D16/219
D271,937	S	*	12/1983	Combs	D8/25
D291,053	S	*	7/1987	Decursu	D8/310
4,856,140	A	*	8/1989	Visco et al.	16/412
D352,692	S	*	11/1994	Christensen	D12/412
D389,394	S	*	1/1998	Taylor	D8/312
D435,210	S	*	12/2000	Hussaini	D8/310
D451,361	S	*	12/2001	Yang	D8/307
D459,646	S	*	7/2002	Bertani	D8/310
D572,998	S	*	7/2008	Crain et al.	D8/305
D609,550	S	*	2/2010	Wan et al.	D8/307
D656,810	S	*	4/2012	Kwok et al.	D8/312
D676,551	S	*	2/2013	Desai et al.	D24/129

* cited by examiner

Primary Examiner — Paula Greene

(74) *Attorney, Agent, or Firm* — Wood, Herron & Evans, LLP

(57) **CLAIM**

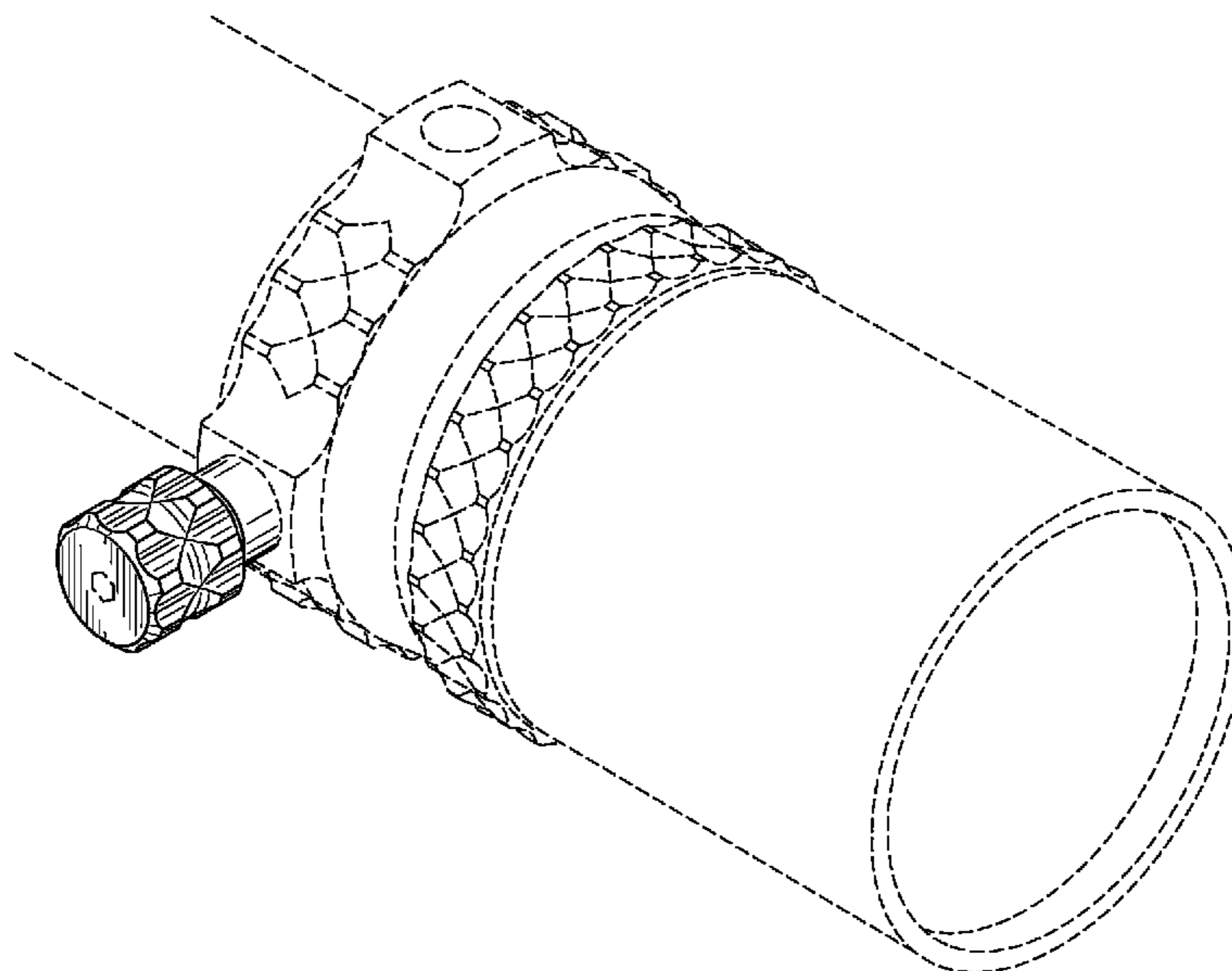
The ornamental design for a optical scope magnification throw lever, as shown and described.

DESCRIPTION

FIG. 1 is a pictorial view of the optical scope magnification throw lever shown in context as used on an optical scope; FIG. 2 is a side plan view of the optical scope magnification throw lever shown in FIG. 1, all side views being identical; FIG. 3 is a top view; and, FIG. 4 is a bottom view.

The dashed lines form no part of the claimed invention in this application and are instead included to show environment of the design.

1 Claim, 2 Drawing Sheets



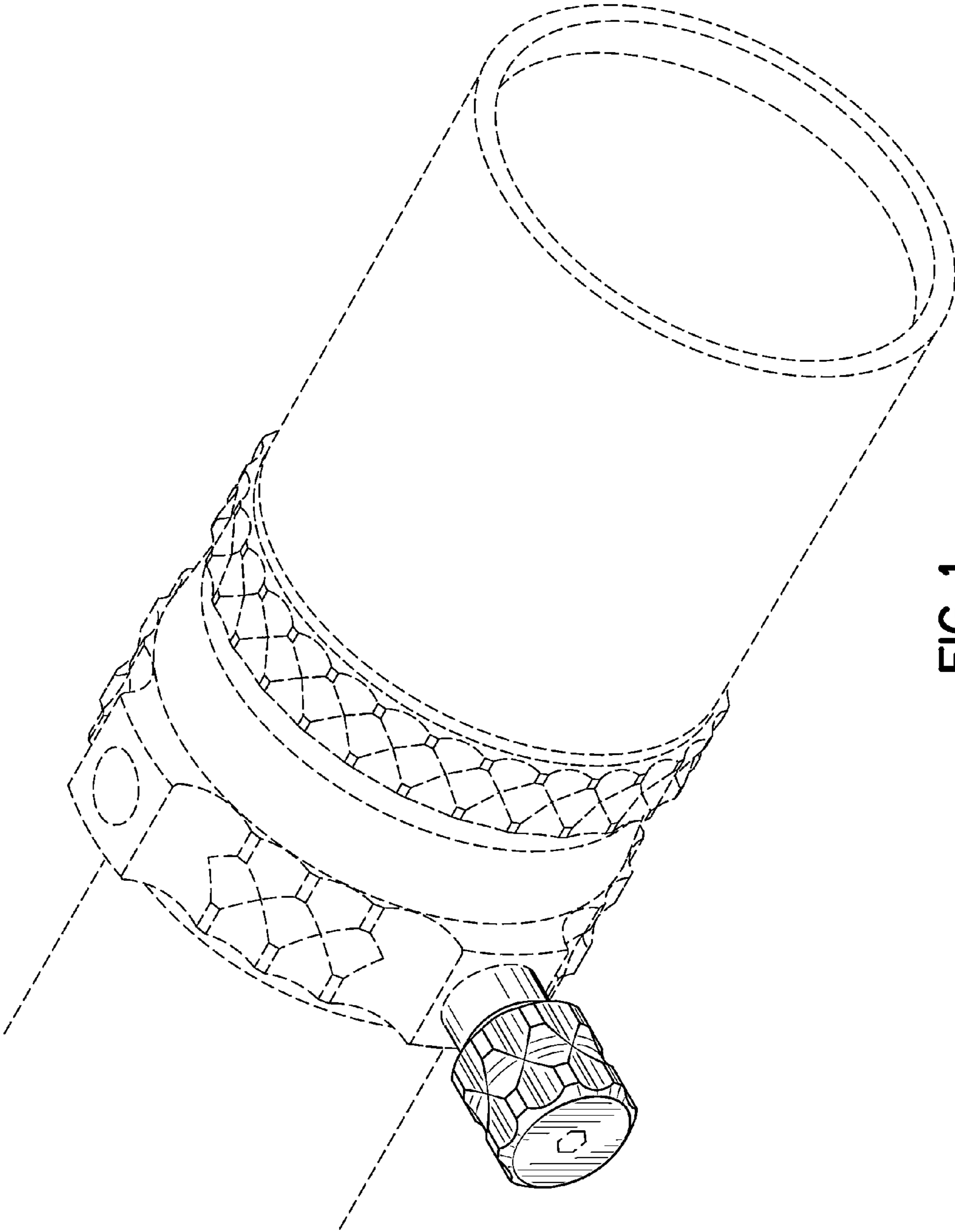


FIG. 1

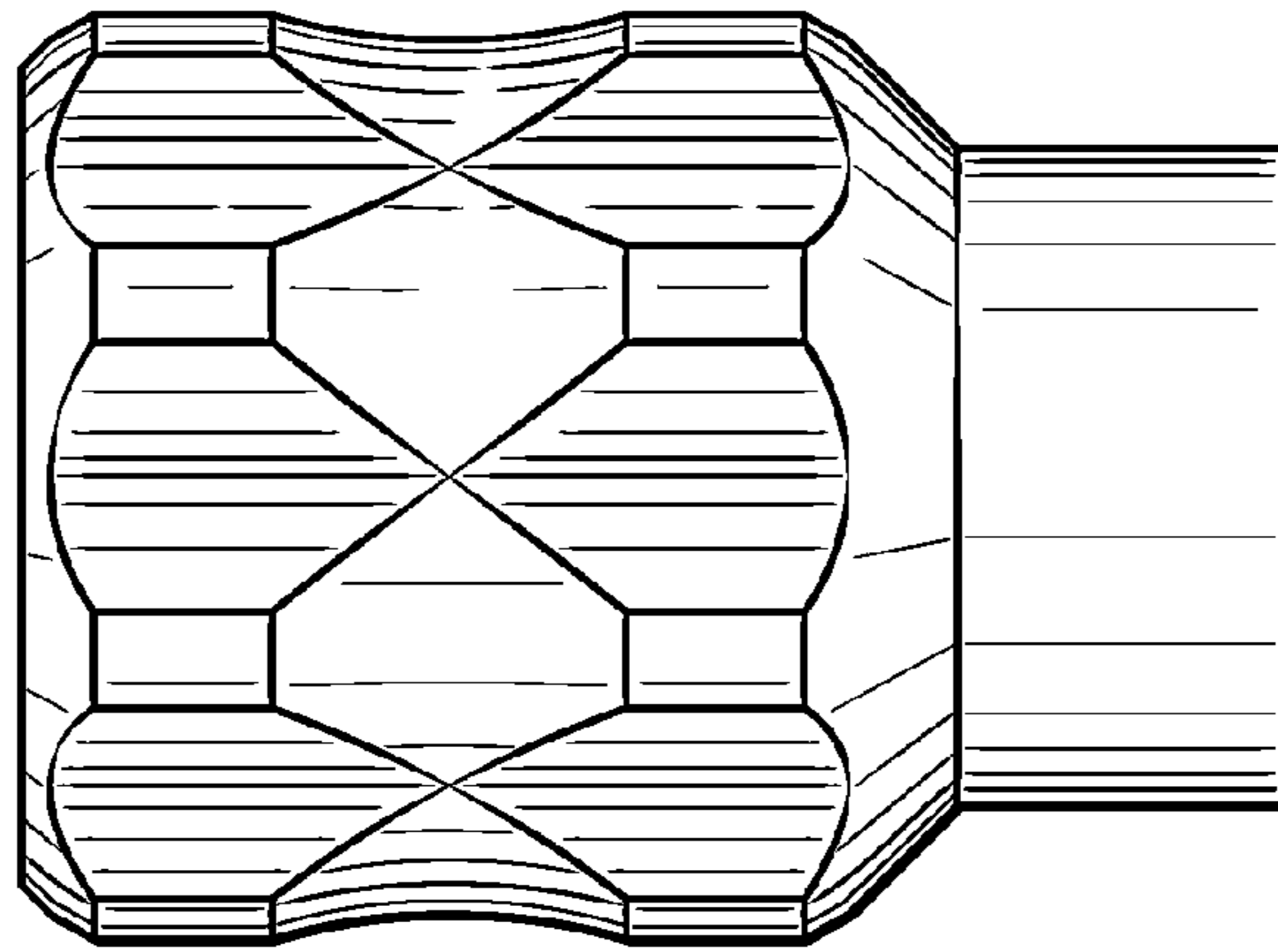


FIG. 2

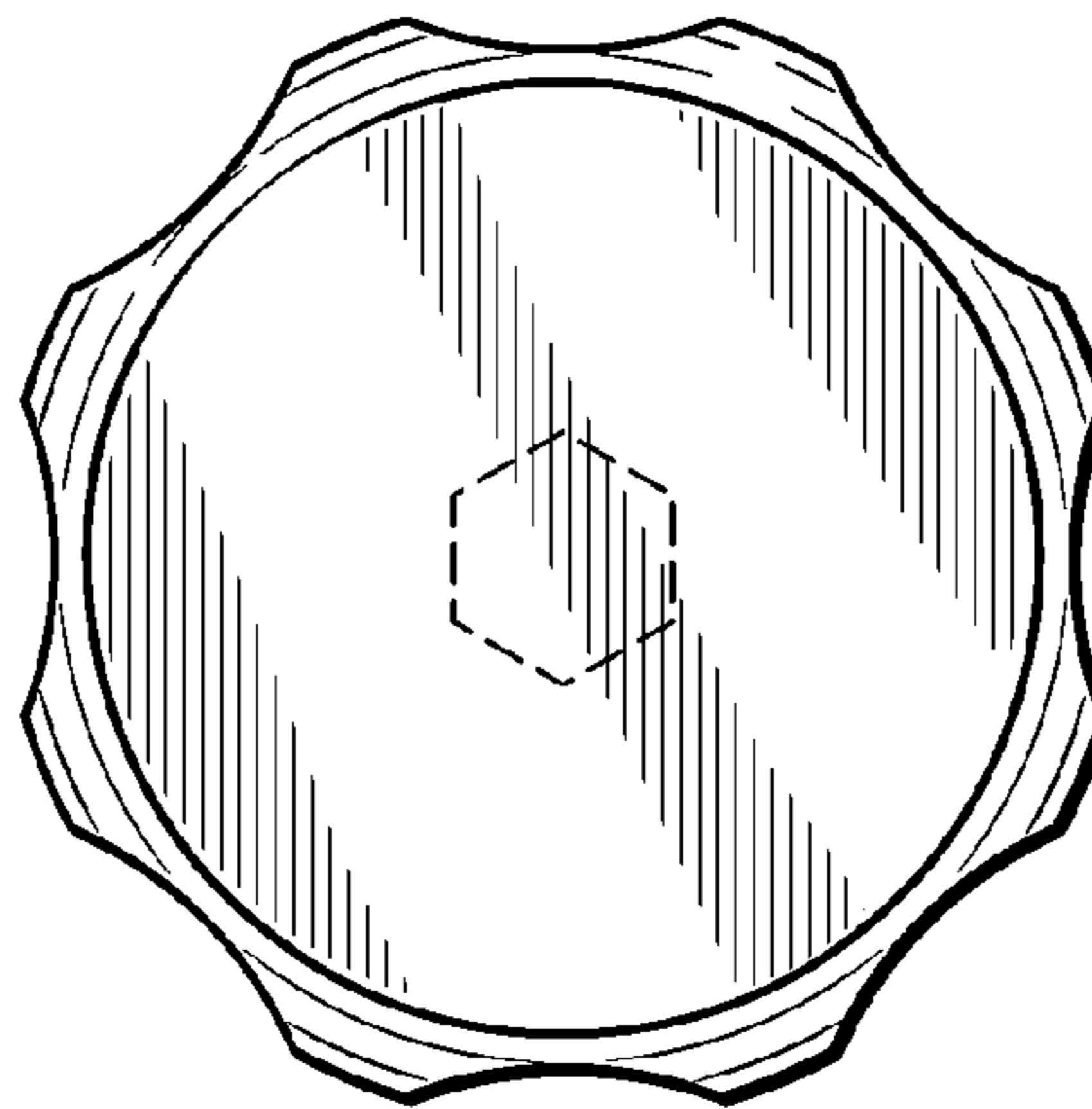


FIG. 3

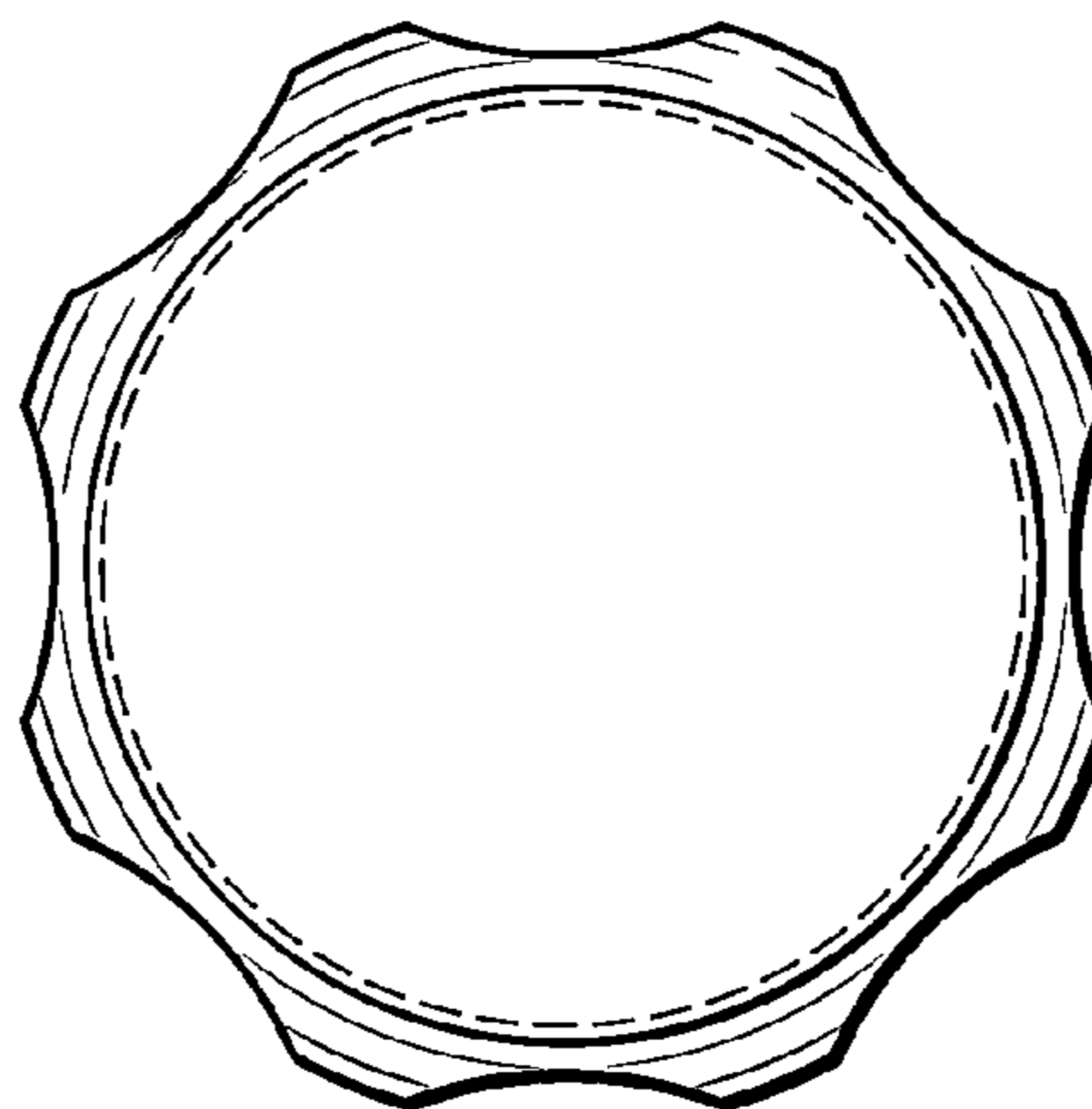


FIG. 4