

US00D695585S

(12) **United States Design Patent**  
**Trussell**

(10) **Patent No.:** **US D695,585 S**

(45) **Date of Patent:** **\*\* Dec. 17, 2013**

(54) **HOLD-DOWN CLAMP**

(71) Applicant: **Christopher Bryan Trussell,**  
Edgewood, TX (US)

(72) Inventor: **Christopher Bryan Trussell,**  
Edgewood, TX (US)

(\*\*) Term: **14 Years**

(21) Appl. No.: **29/450,487**

(22) Filed: **Mar. 18, 2013**

(51) **LOC (9) Cl.** ..... **08-05**

(52) **U.S. Cl.**  
USPC ..... **D8/72**

(58) **Field of Classification Search**  
USPC ..... D8/71-74, 394-399, 59; 248/62, 63,  
248/72, 74.1, 689, 124.2; 81/487; 269/3, 4,  
269/6, 143, 165, 240, 243, 246-249, 254 R,  
269/147-149; 29/256, 257, 276; 408/103,  
408/104-109

See application file for complete search history.

(56) **References Cited**

**U.S. PATENT DOCUMENTS**

D305,719 S \* 1/1990 Babcock ..... D8/71  
5,460,461 A \* 10/1995 McGrath ..... 269/6  
D371,059 S \* 6/1996 Howe ..... D8/72  
5,758,870 A \* 6/1998 Weaver ..... 269/249

6,564,703 B1 \* 5/2003 Lin ..... 269/6  
6,893,012 B2 \* 5/2005 Wong ..... 269/249  
D513,975 S \* 1/2006 Falconer et al. .... D8/395  
D544,771 S \* 6/2007 Duffy ..... D8/59  
7,547,007 B1 \* 6/2009 Pietrantoni et al. .... 269/6  
7,703,358 B2 \* 4/2010 Ubinana Felix ..... 81/487  
D634,011 S \* 3/2011 Phillips et al. .... D8/395  
7,971,917 B2 \* 7/2011 Ge ..... 269/249  
8,137,379 B2 \* 3/2012 Labash ..... 269/3

\* cited by examiner

*Primary Examiner* — David Muller

(74) *Attorney, Agent, or Firm* — Michael D. Volk, Jr.

(57) **CLAIM**

The ornamental design for a hold-down clamp, as shown.

**DESCRIPTION**

FIG. 1 is a perspective view of a hold-down clamp showing my new design.

FIG. 2 is a front view thereof.

FIG. 3 is a back view thereof.

FIG. 4 is a right side view thereof.

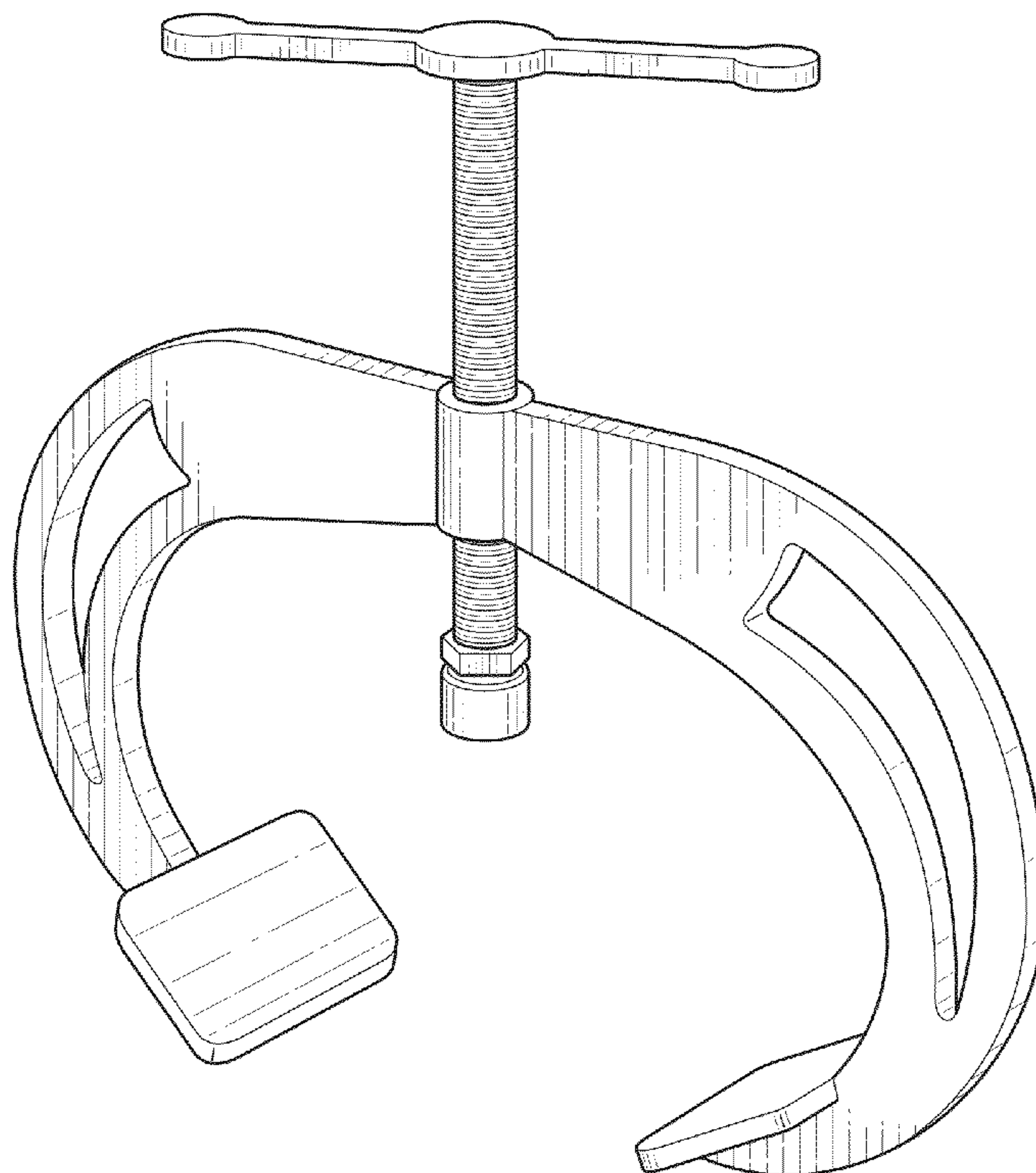
FIG. 5 is a left side view thereof.

FIG. 6 is a top view thereof.

FIG. 7 is a bottom view thereof; and,

FIG. 8 is a top view thereof showing an alternate position of a portion of my new design.

**1 Claim, 4 Drawing Sheets**



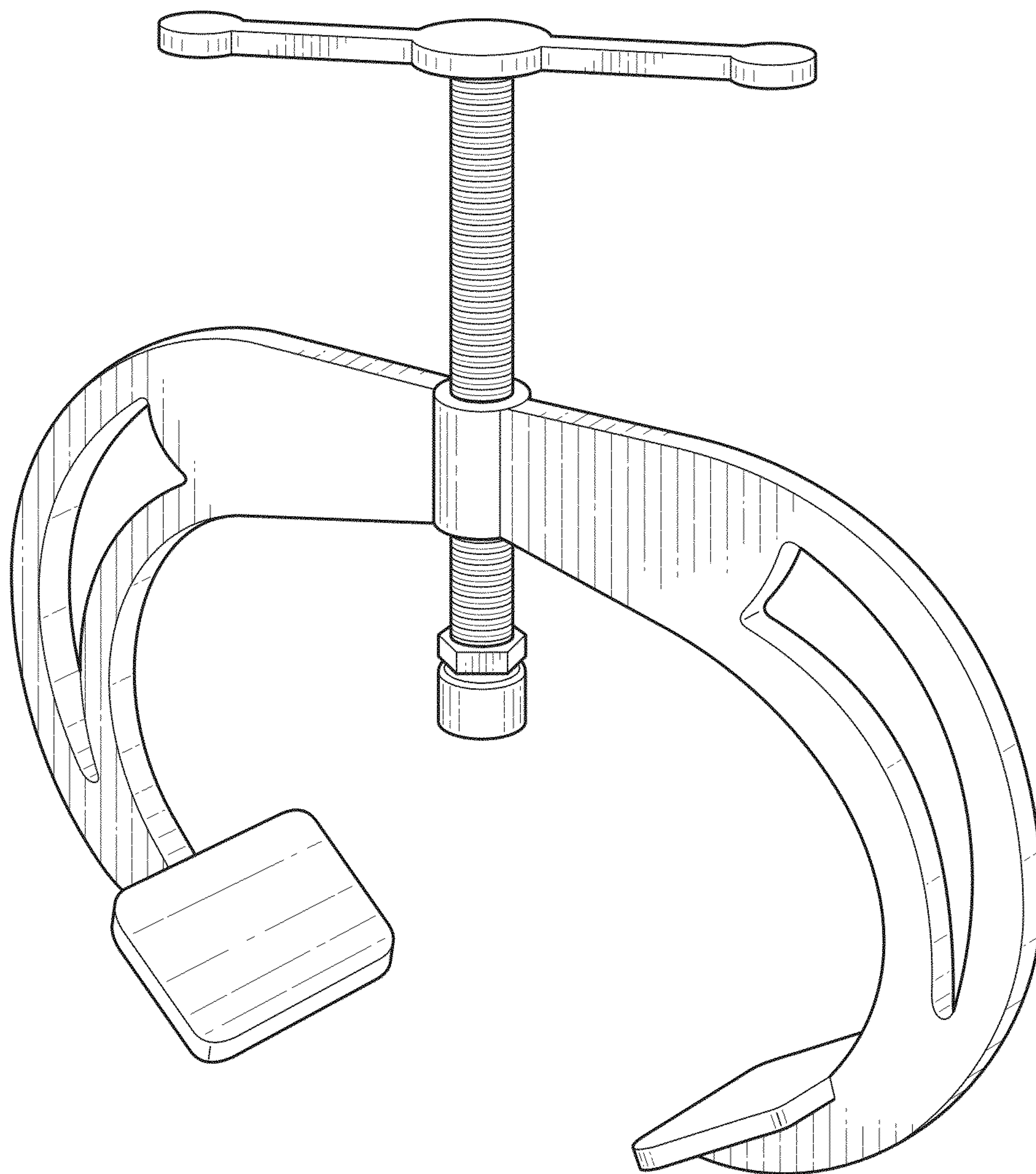
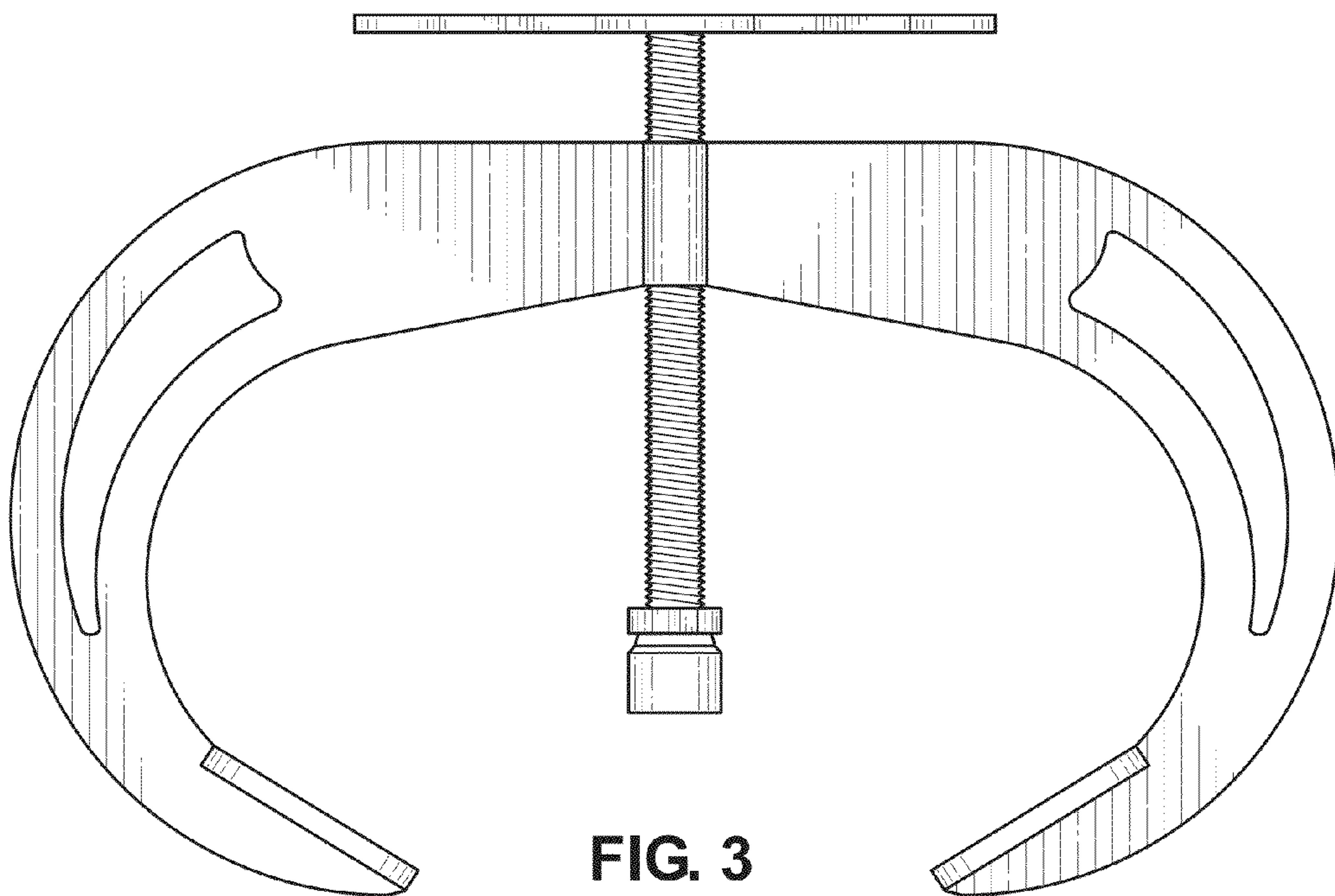
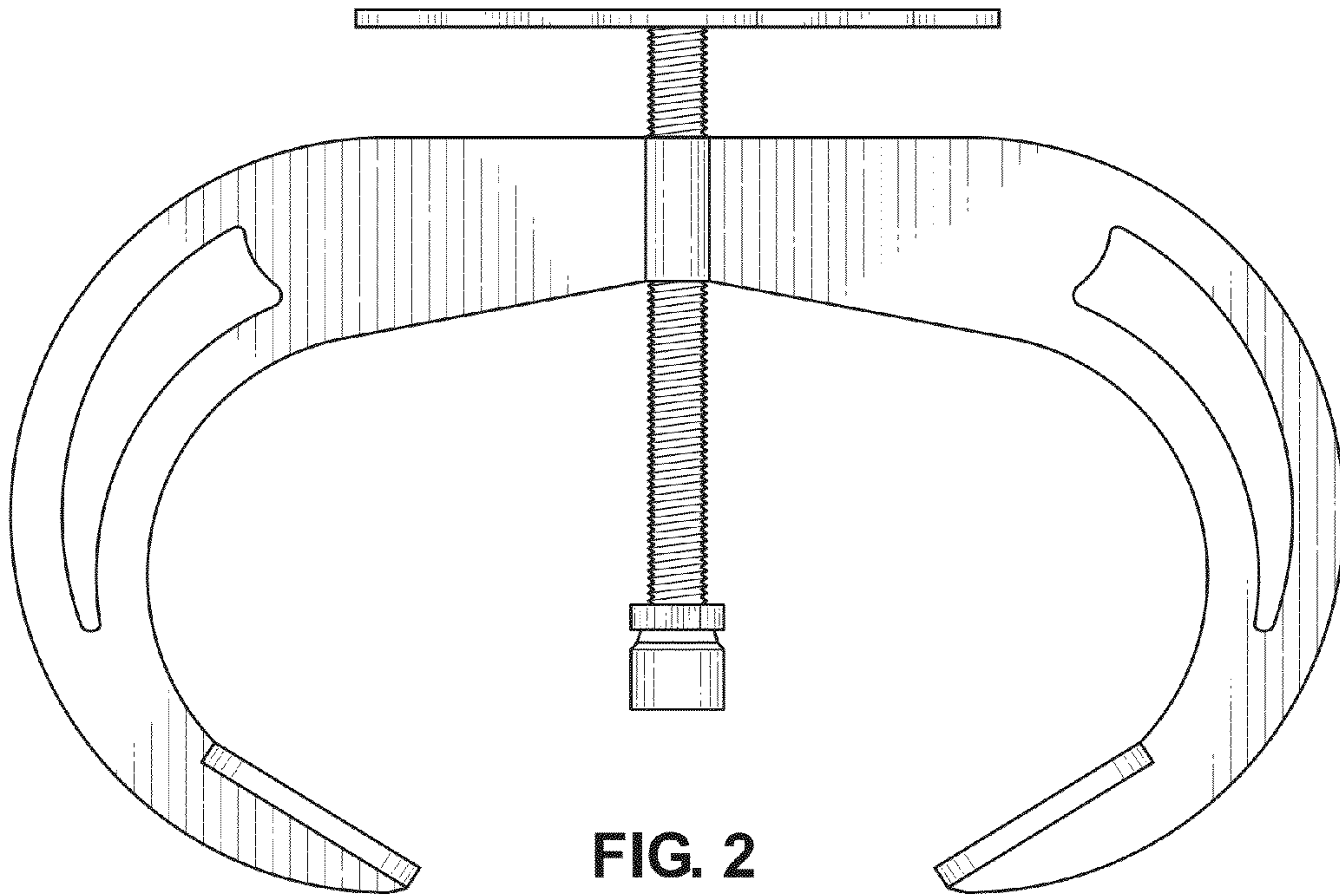


FIG. 1





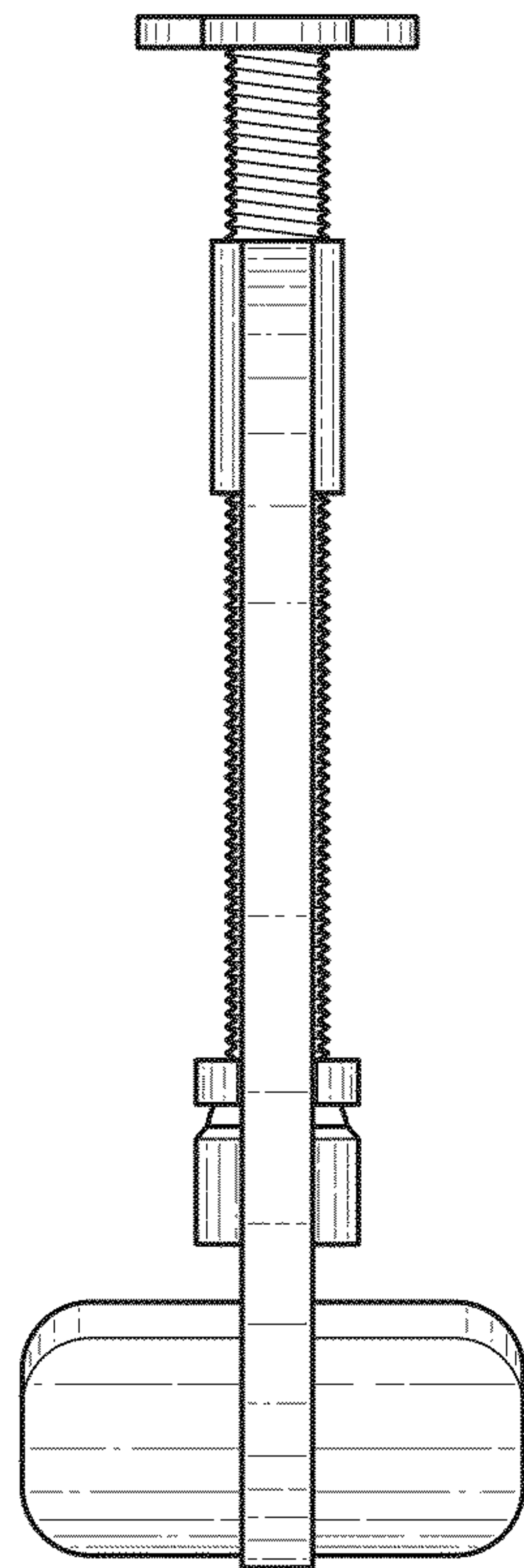


FIG. 4

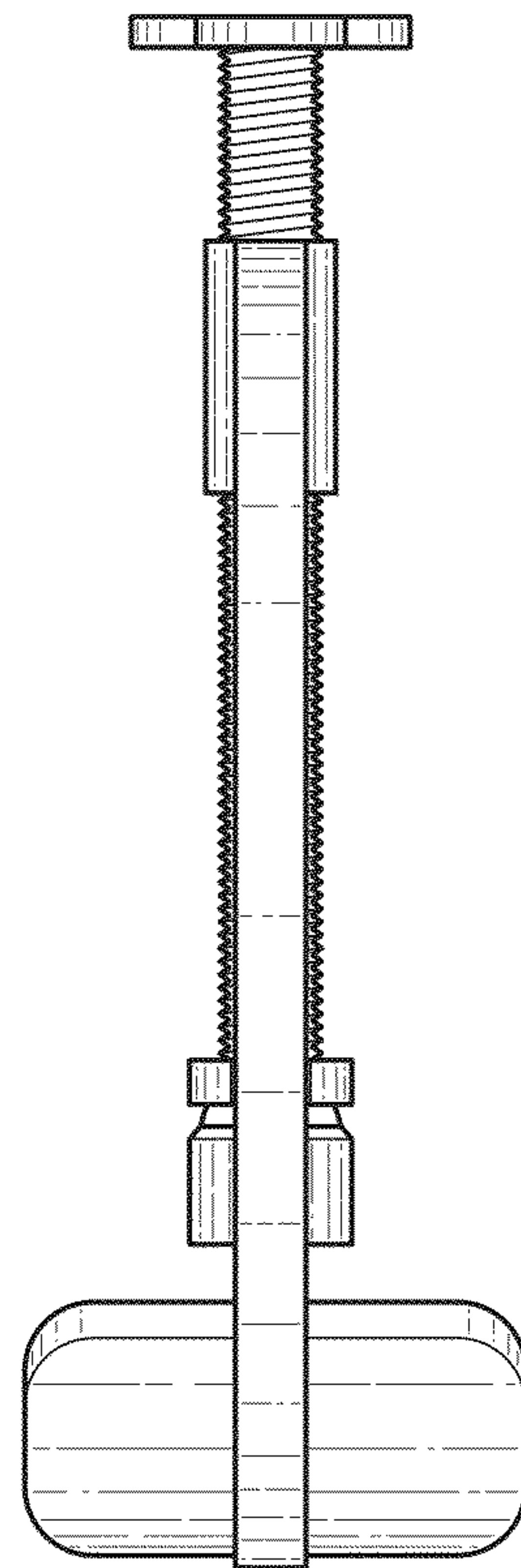


FIG. 5

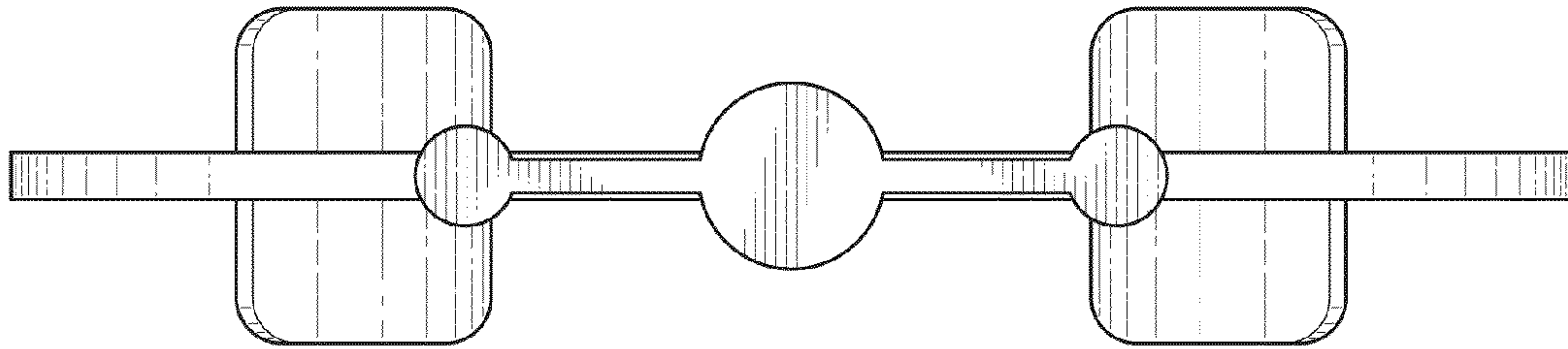


FIG. 6

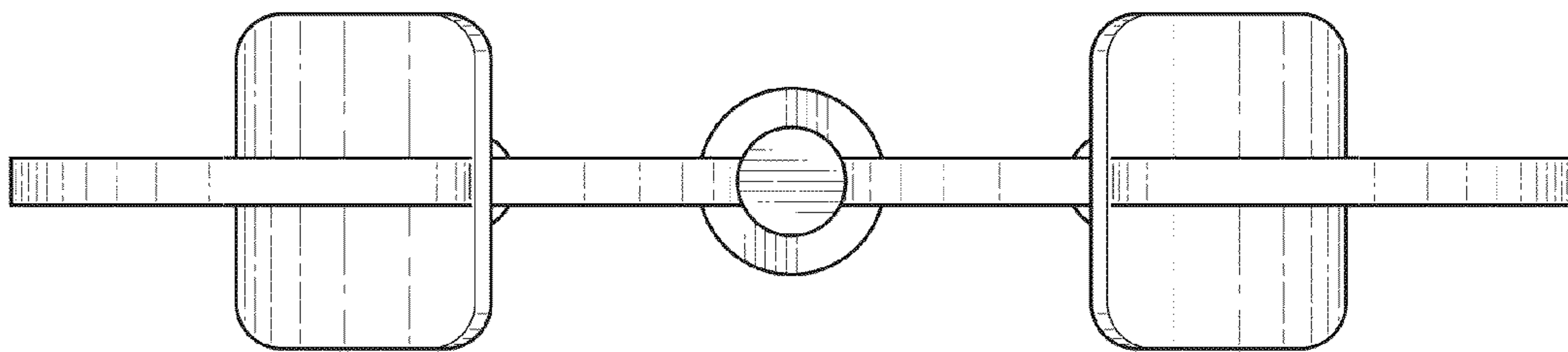


FIG. 7

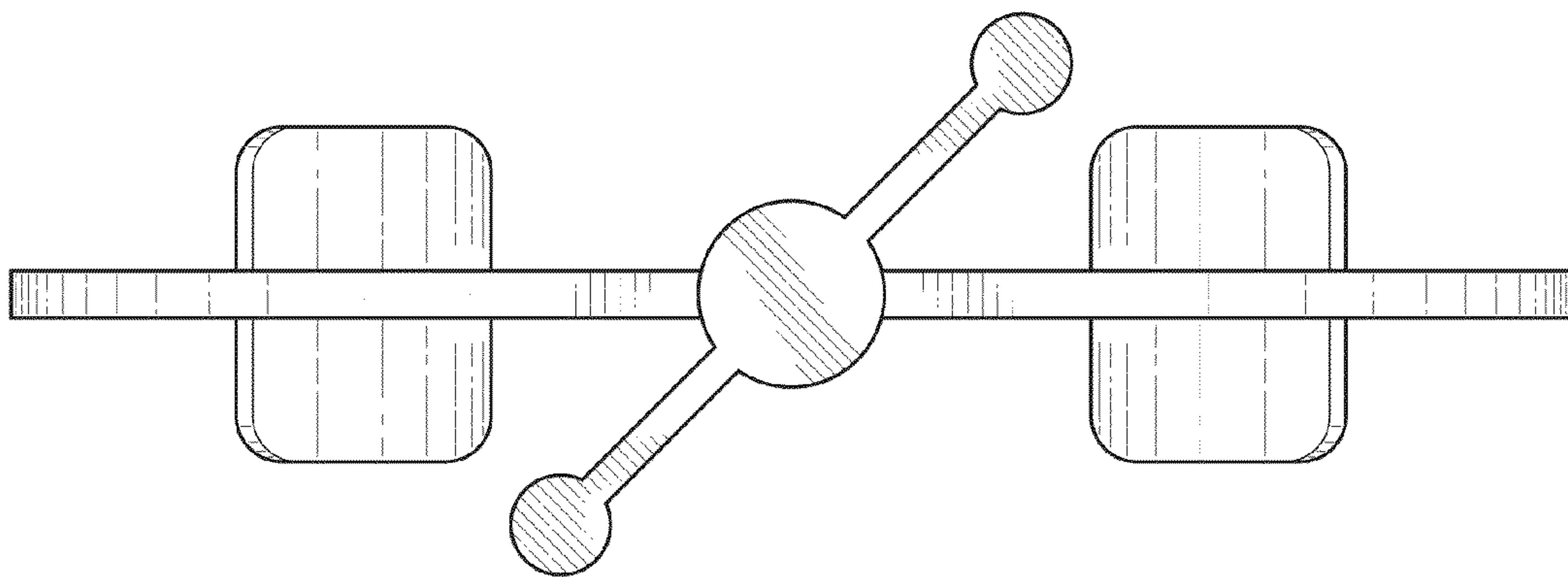


FIG. 8