



US00D695584S

(12) **United States Design Patent**
Chen

(10) **Patent No.:** **US D695,584 S**

(45) **Date of Patent:** **** Dec. 17, 2013**

(54) **DUST DRILL COLLECTOR**

(76) Inventor: **Chao-Yang Chen**, New Taipei (TW)

(**) Term: **14 Years**

(21) Appl. No.: **29/430,915**

(22) Filed: **Aug. 31, 2012**

(51) **LOC (9) Cl.** **08-03**

(52) **U.S. Cl.**
USPC **D8/70; D8/86**

(58) **Field of Classification Search**
USPC D8/61-71, 90, 363; D15/124, 125, 126,
D15/132, 138, 139, 140; 51/270; 83/665;
144/252; 145/116; 173/75, 209, 211;
175/209, 211; 408/58, 67, 72, 204,
408/206, 207, 209, 241 G; 451/47, 56, 324,
451/342, 347-349, 357-360, 364, 388,
451/420-423, 541, 547-549; D32/1, 14,
D32/25, 35; D22/103; D24/112, 115, 130;
D12/174, 179, 195, 197, 400, 159

See application file for complete search history.

(56) **References Cited**

U.S. PATENT DOCUMENTS

D194,419	S	*	1/1963	Whiton	D24/115
3,230,001	A	*	1/1966	Hirt	294/184
D206,039	S	*	10/1966	Cronin	D24/115
3,339,435	A	*	9/1967	Heitz	408/67
D225,715	S	*	1/1973	McCord	D8/71
3,934,661	A	*	1/1976	Sauerwein et al.	175/211
D241,882	S	*	10/1976	Gross	D24/115
D243,122	S	*	1/1977	Dash	D24/115
D285,618	S	*	9/1986	Borgman	D32/25
D288,006	S	*	1/1987	Bergstrom et al.	D24/115
5,061,123	A	*	10/1991	Broussard	408/67
5,160,230	A	*	11/1992	Cuevas	408/67
5,653,561	A	*	8/1997	May	408/67
D385,073	S	*	10/1997	Tash	D32/35
D417,000	S	*	11/1999	Poynter et al.	D24/115
D428,135	S	*	7/2000	Potchen	D23/418

D437,667	S	*	2/2001	Hwang	D32/35
D509,333	S	*	9/2005	Tash	D32/35
D542,312	S	*	5/2007	Skradski et al.	D15/138

(Continued)

OTHER PUBLICATIONS

U-Life DIY Electric Drill Dust Collection Plant. Apr. 3, 2013 [online], [retrieved on Jul. 11, 2013]. Retrieved from the Internet <URL: <http://www.lelong.com.my/u-life-diy-electric-drill-dust-collection-plant-yw1123-126104579-2014-03-Sale-P.htm>>.*

(Continued)

Primary Examiner — Philip S Hyder
Assistant Examiner — Darlington Ly
(74) *Attorney, Agent, or Firm* — Rosenberg, Klein & Lee

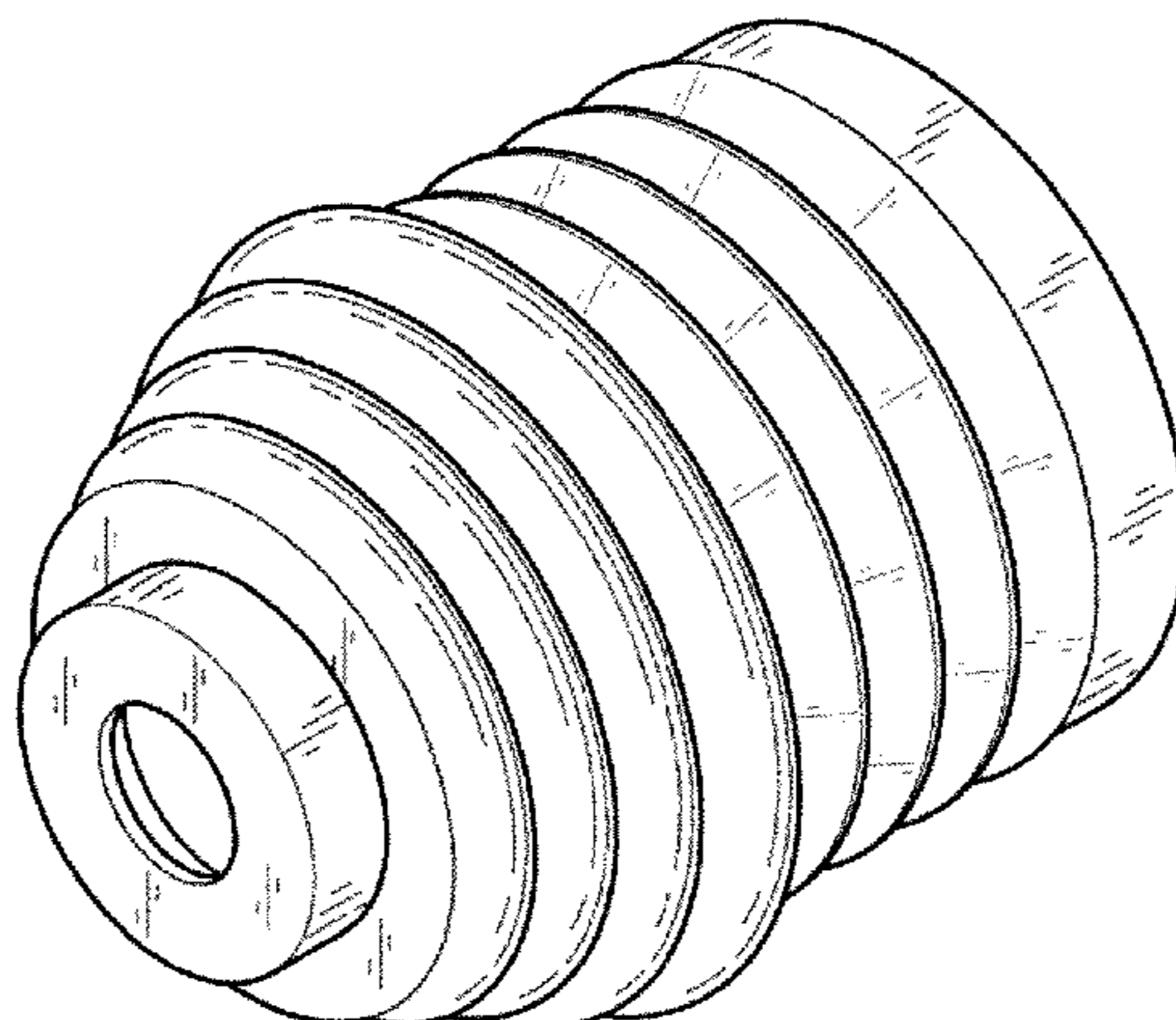
(57) **CLAIM**

The ornamental design for a dust drill collector, as shown and described.

DESCRIPTION

FIG. 1 is a perspective view of an dust drill collector showing my new design;
FIG. 2 is a front view thereof;
FIG. 3 is a rear view thereof;
FIG. 4 is a right side elevational view thereof, a left side elevational view being a mirror image thereof;
FIG. 5 is a top plan elevational view thereof, a bottom plan elevational view being a mirror image thereof;
FIG. 6 is a cross-sectional view taken along the line 6-6 in FIG. 4; and,
FIG. 7 is a right side elevational view thereof; wherein the dust drill collector is show attached to an environmental drill application.
The broken lines shown in the drawings illustrate environmental structure for the dust drill collector that forms no part of claimed design.

1 Claim, 6 Drawing Sheets



(56)

References Cited

U.S. PATENT DOCUMENTS

D542,313 S * 5/2007 Skradski et al. D15/138
D543,563 S * 5/2007 Skradski et al. D15/138
D575,311 S * 8/2008 Konecny D15/138
D588,893 S * 3/2009 Radich D8/70
D590,227 S * 4/2009 Yun D8/70
D677,292 S * 3/2013 Barnes D15/138
2013/0094915 A1* 4/2013 Chen 408/67

OTHER PUBLICATIONS

Electric Drill Dust Collection Plant . Jan. 8, 2013 [online], [retrieved on Jul. 11, 2013]. Retrieved from the Internet <URL: <http://www.lelong.com/my/electric-drill-dust-collection-plant-rm180-00-skldiyuptown-126039553-2013-05-Sale-P.htm>>.*

* cited by examiner

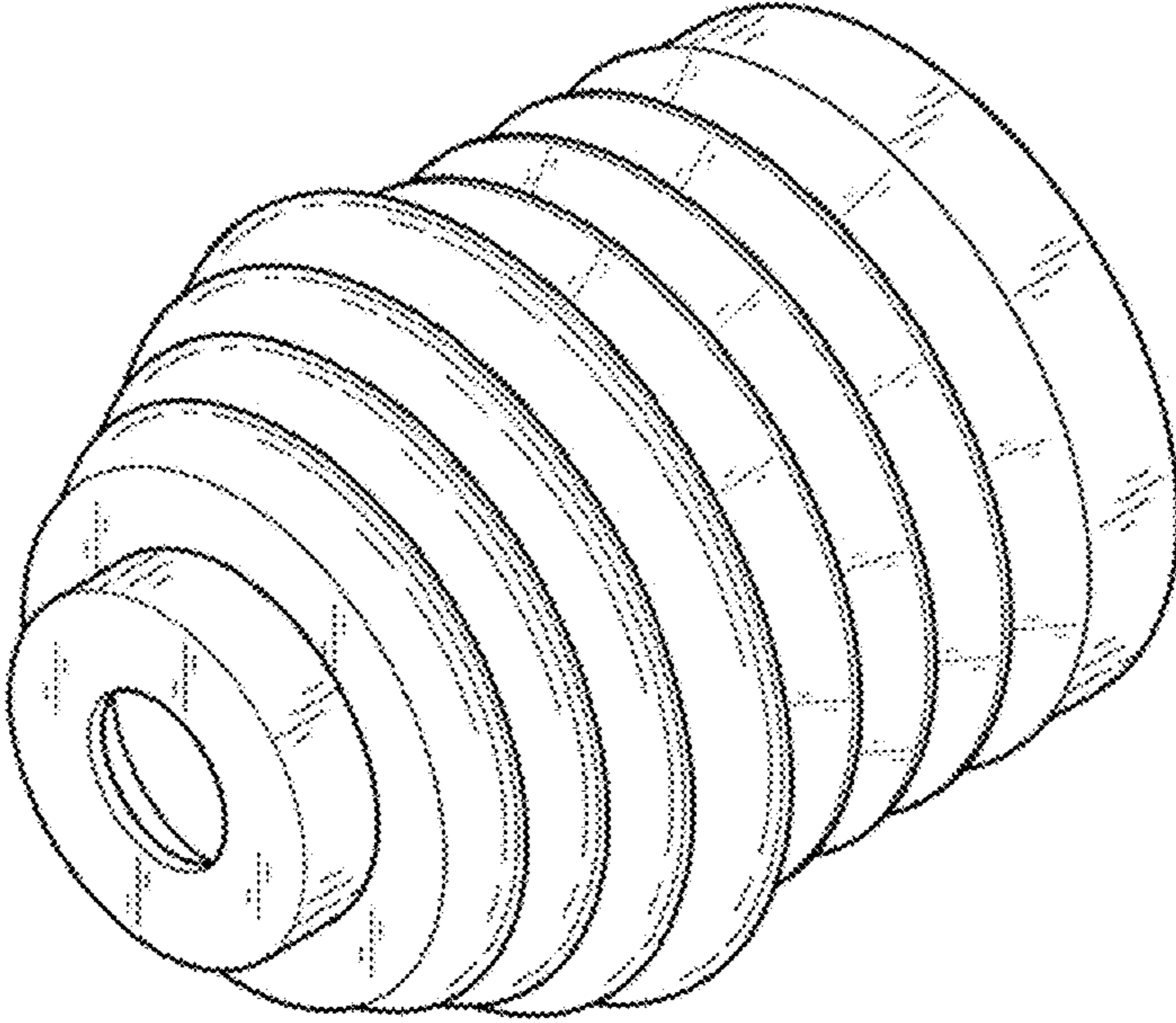


FIG.1

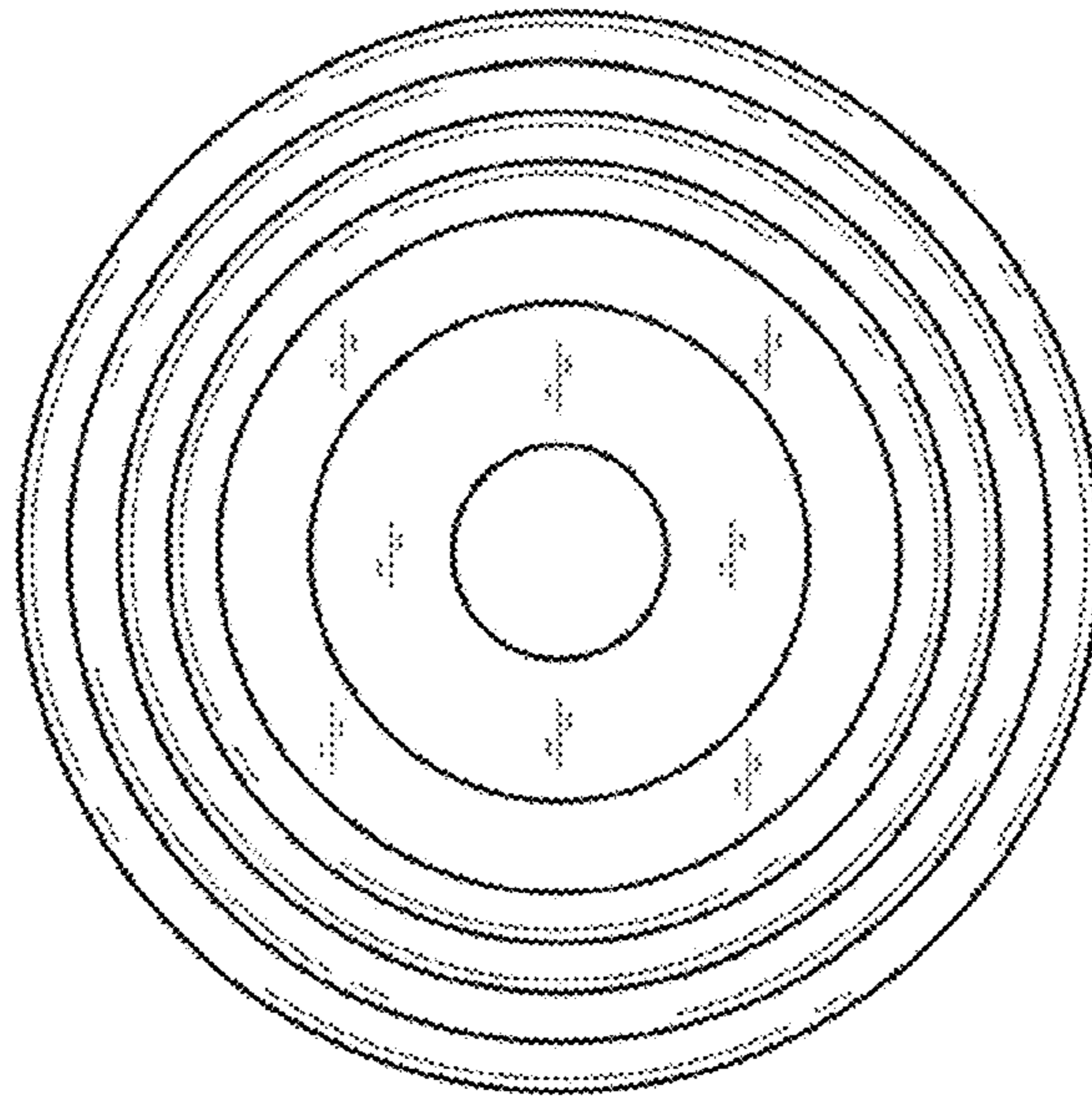


FIG. 2

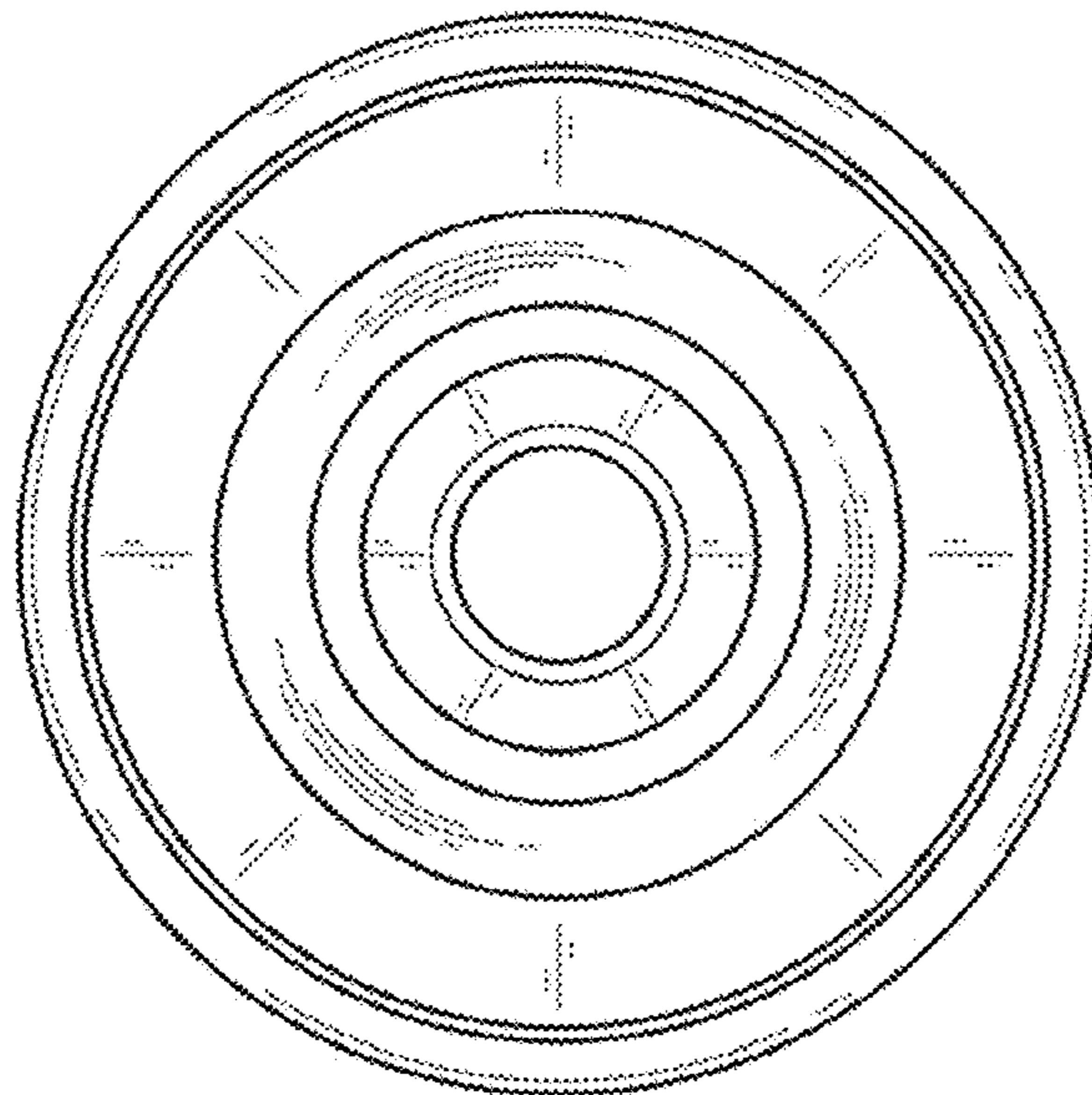


FIG. 3

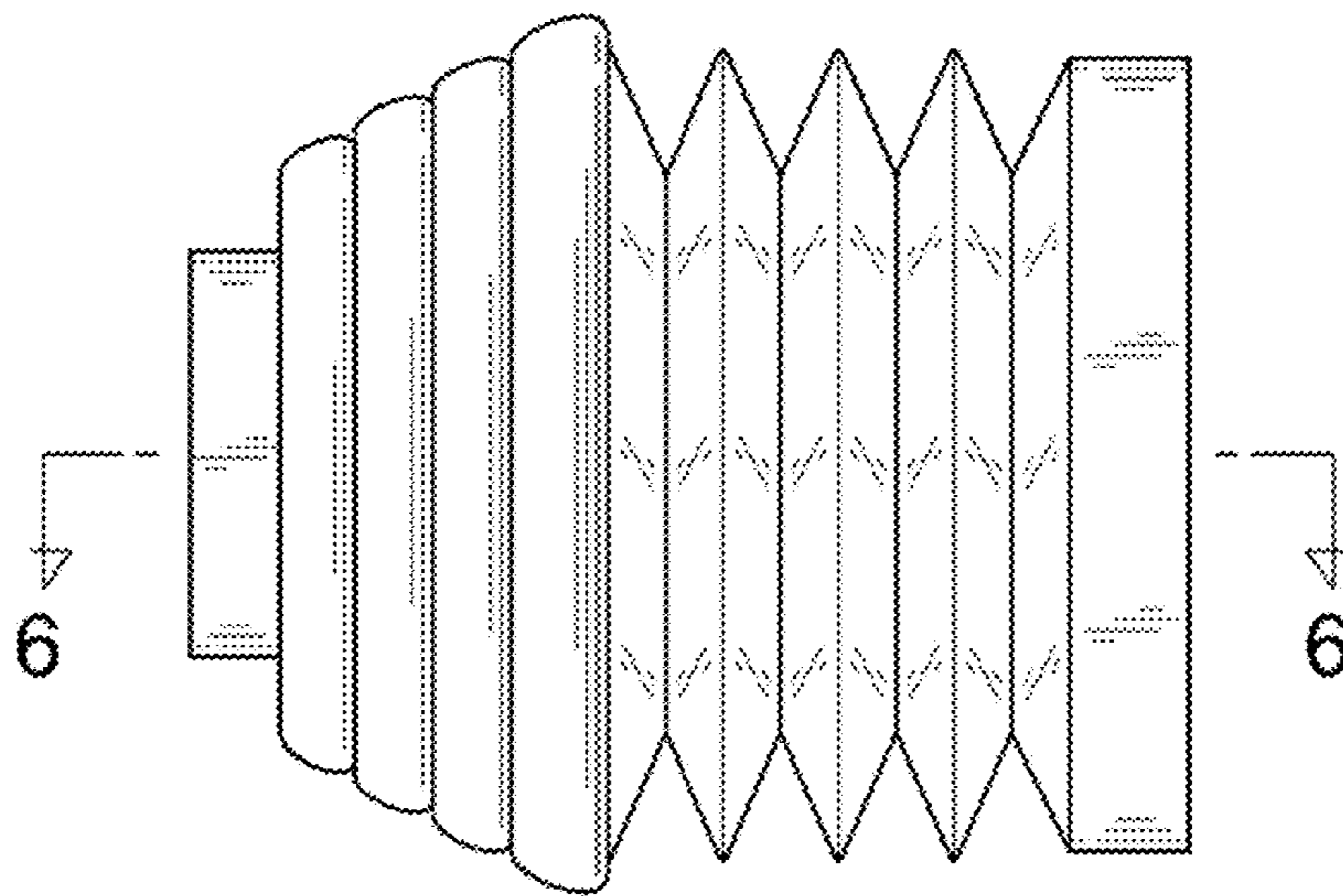


FIG.4

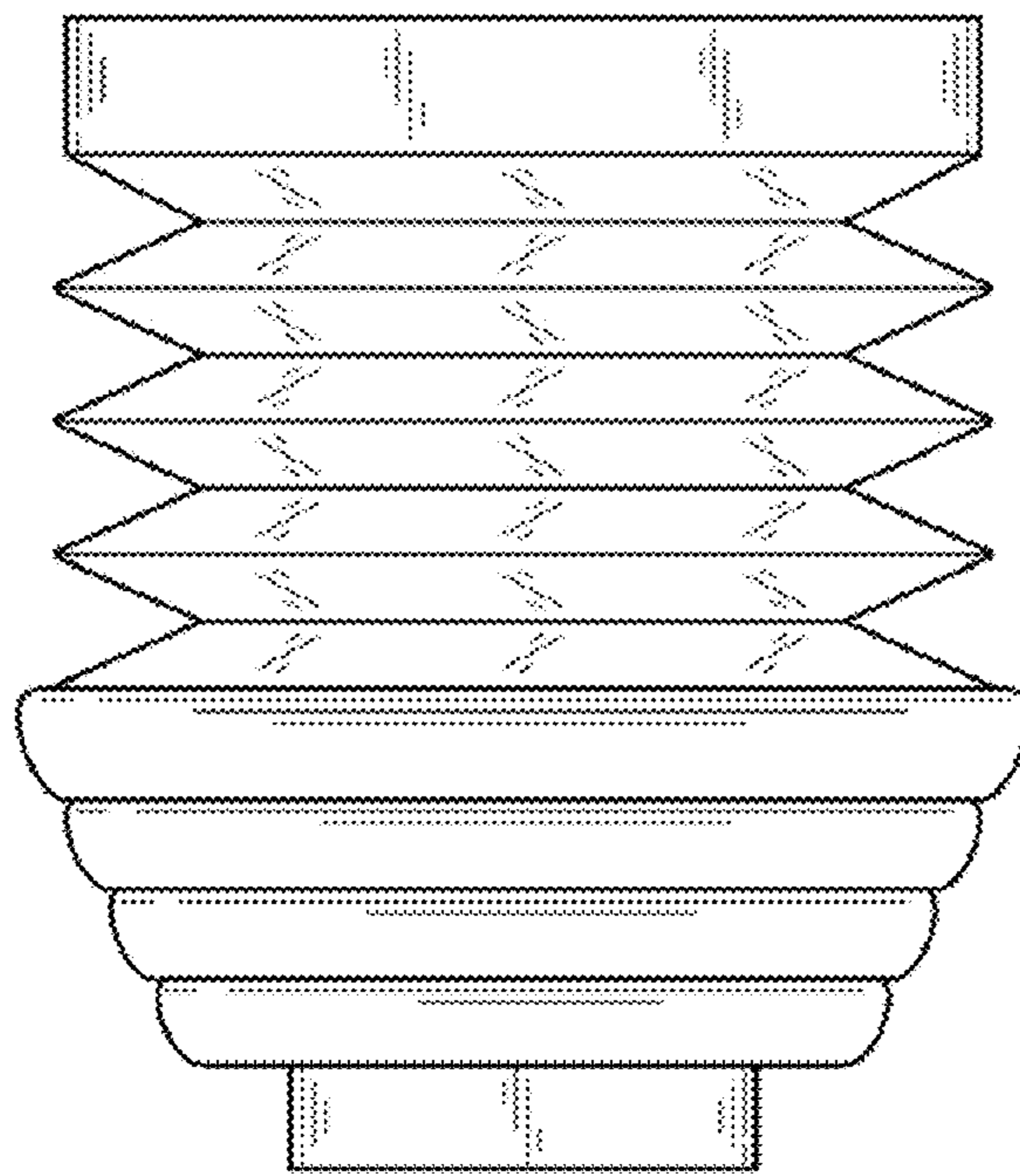


FIG.5

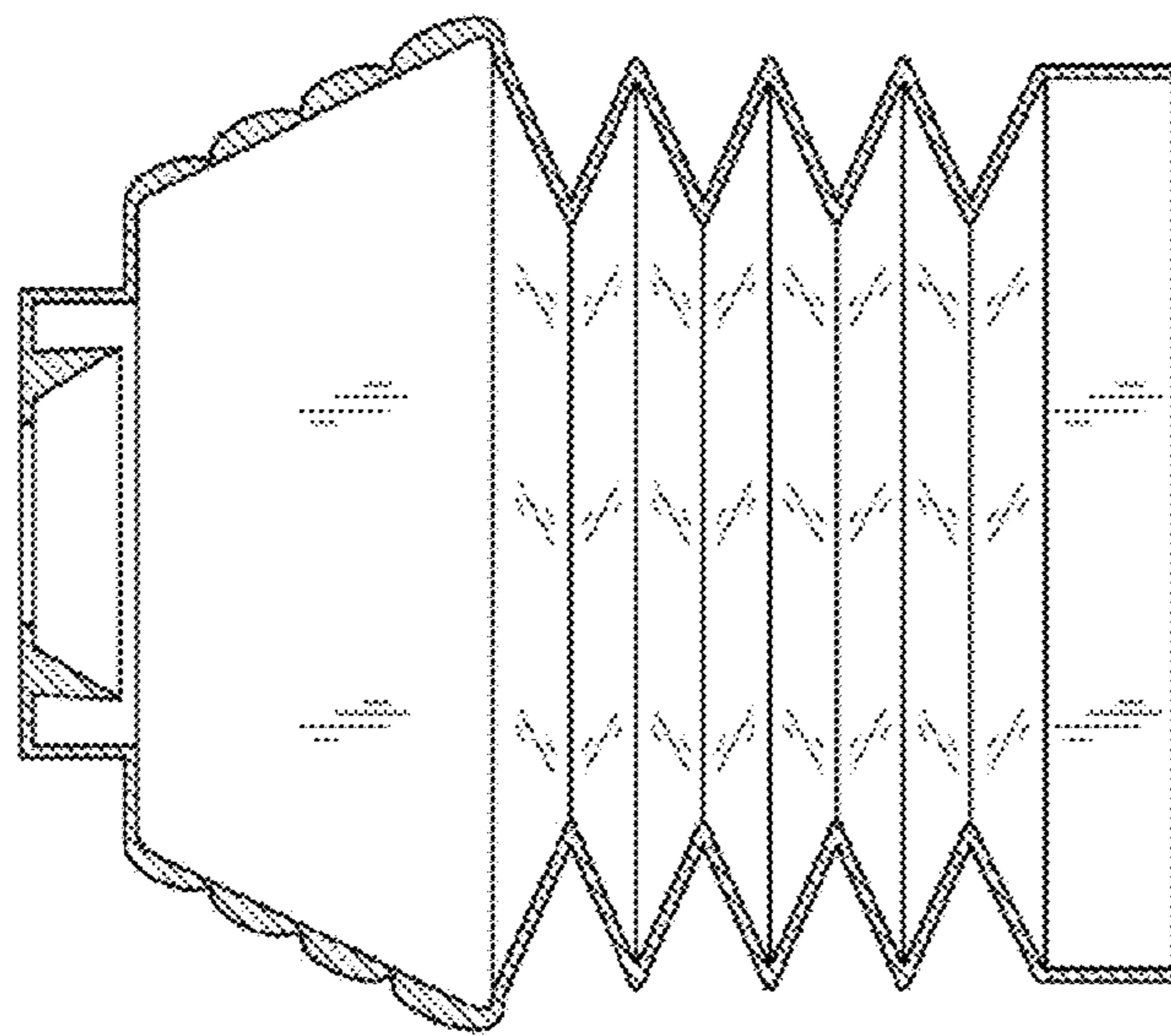


FIG.6

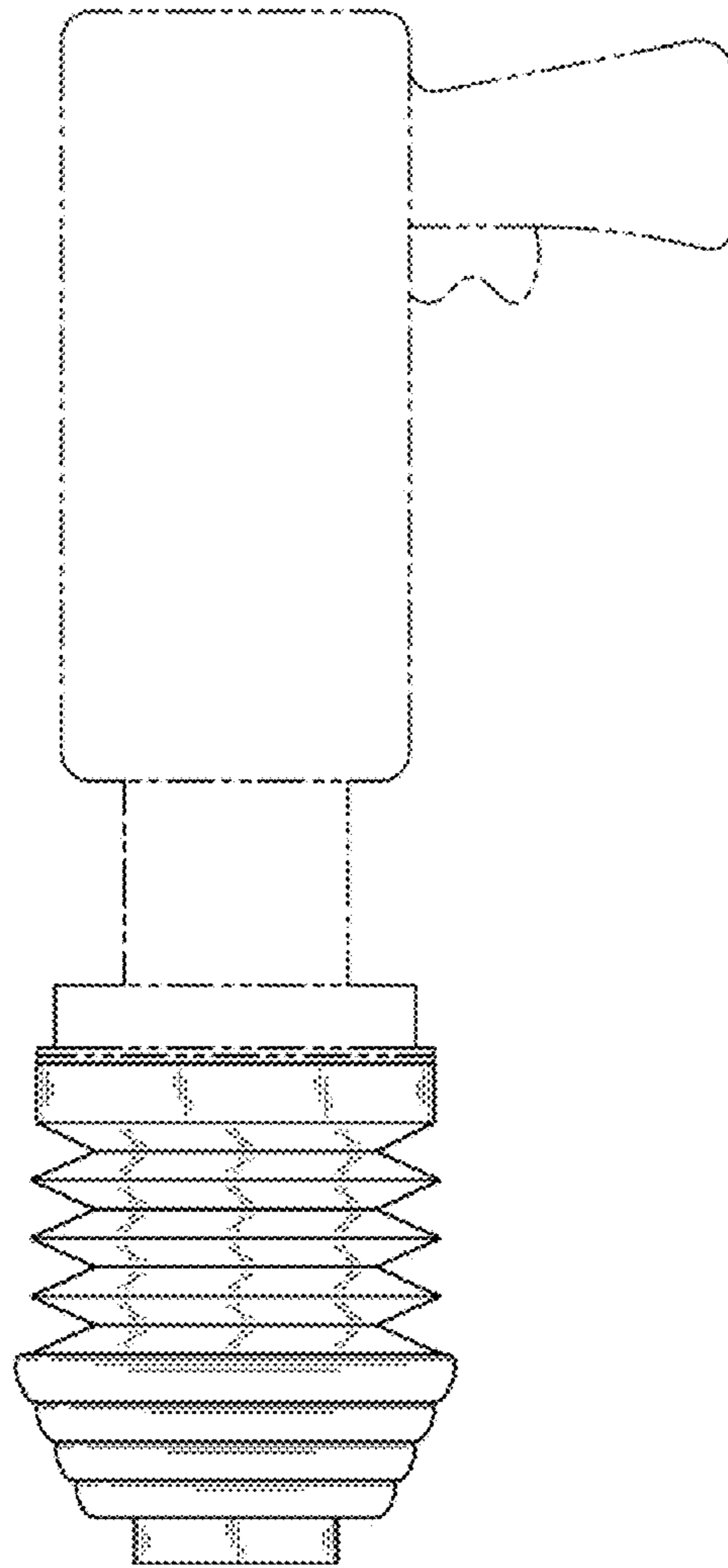


FIG.7