



US00D695580S

(12) **United States Design Patent**  
**Hirai**

(10) **Patent No.:** **US D695,580 S**

(45) **Date of Patent:** **\*\* Dec. 17, 2013**

(54) **SCRAPE CUTTER**

(71) Applicant: **Forever Co., Ltd.**, Kawaguchi (JP)

(72) Inventor: **Akira Hirai**, Kawaguchi (JP)

(73) Assignee: **Forever Co., Ltd.** (JP)

(\*\*) Term: **14 Years**

(21) Appl. No.: **29/445,166**

(22) Filed: **Feb. 8, 2013**

(51) **LOC (9) Cl.** ..... **08-03**

(52) **U.S. Cl.**  
USPC ..... **D8/20**

(58) **Field of Classification Search**  
USPC ..... D8/14, 16, 18-20, 64, 66, 70, 90-104;  
D15/127, 133, 134, 138, 139;  
D22/117, 118; D24/146, 147; 30/142,  
30/144, 165, 166.3, 272.1, 275.4, 276,  
30/346, 346.55, 346.56, 349, 351,  
30/355-357; 33/562, 563, 565, 567,  
33/567.1; 83/663, 676, 835, 846, 854  
See application file for complete search history.

(56) **References Cited**

**U.S. PATENT DOCUMENTS**

1,559,979 A \* 11/1925 Peck et al. .... 30/165

D379,256 S *	5/1997	Tipp .....	D8/16
D391,821 S *	3/1998	Schultz .....	D8/98
D400,067 S *	10/1998	Gold .....	D8/20
D507,728 S *	7/2005	Graff et al. ....	D8/18
D555,443 S *	11/2007	Hunt .....	D8/20
D636,646 S *	4/2011	Muccino et al. ....	D8/20
2009/0007436 A1 *	1/2009	Daskal et al. ....	30/346

\* cited by examiner

*Primary Examiner* — Garth Rademaker

(74) *Attorney, Agent, or Firm* — Baker & Hostetler LLP

(57) **CLAIM**

The ornamental design for a scrape cutter, as shown and described.

**DESCRIPTION**

FIG. 1 is a perspective view of a scrape cutter showing my new design;  
FIG. 2 is a front view thereof;  
FIG. 3 is a rear view thereof;  
FIG. 4 is a left side view thereof;  
FIG. 5 is a right side view thereof;  
FIG. 6 is a top view thereof;  
FIG. 7 is a bottom view thereof; and,  
FIG. 8 is a cross-sectional view thereof, taken along line 8-8 of FIG. 2.

**1 Claim, 8 Drawing Sheets**

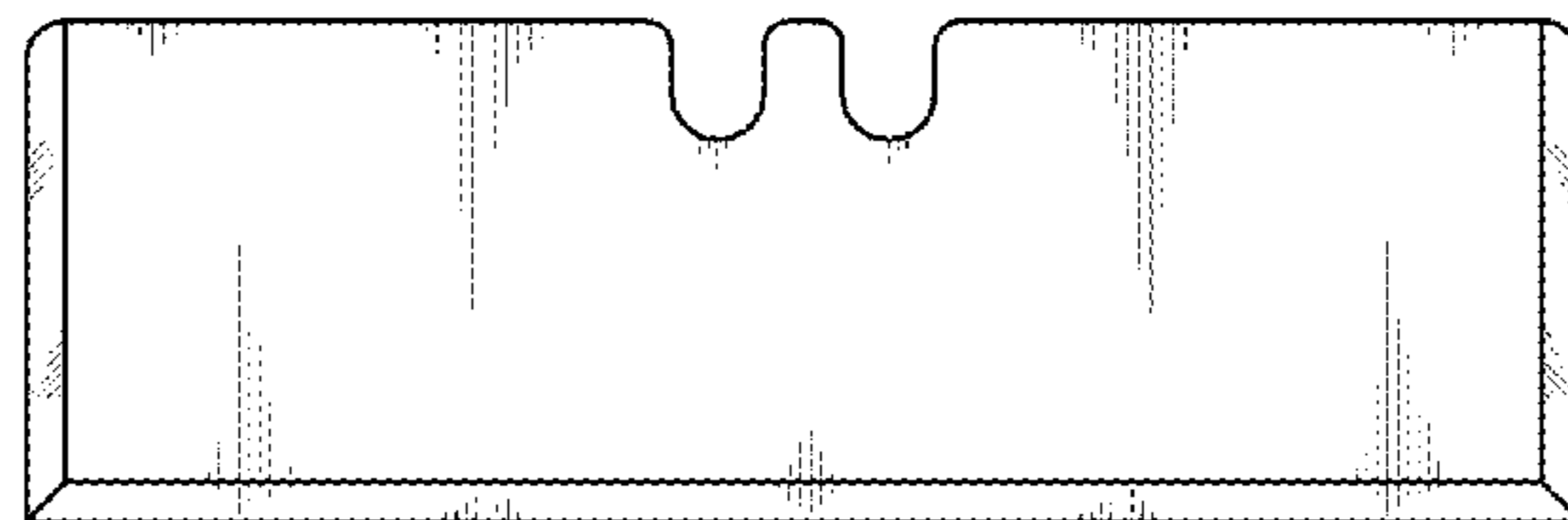
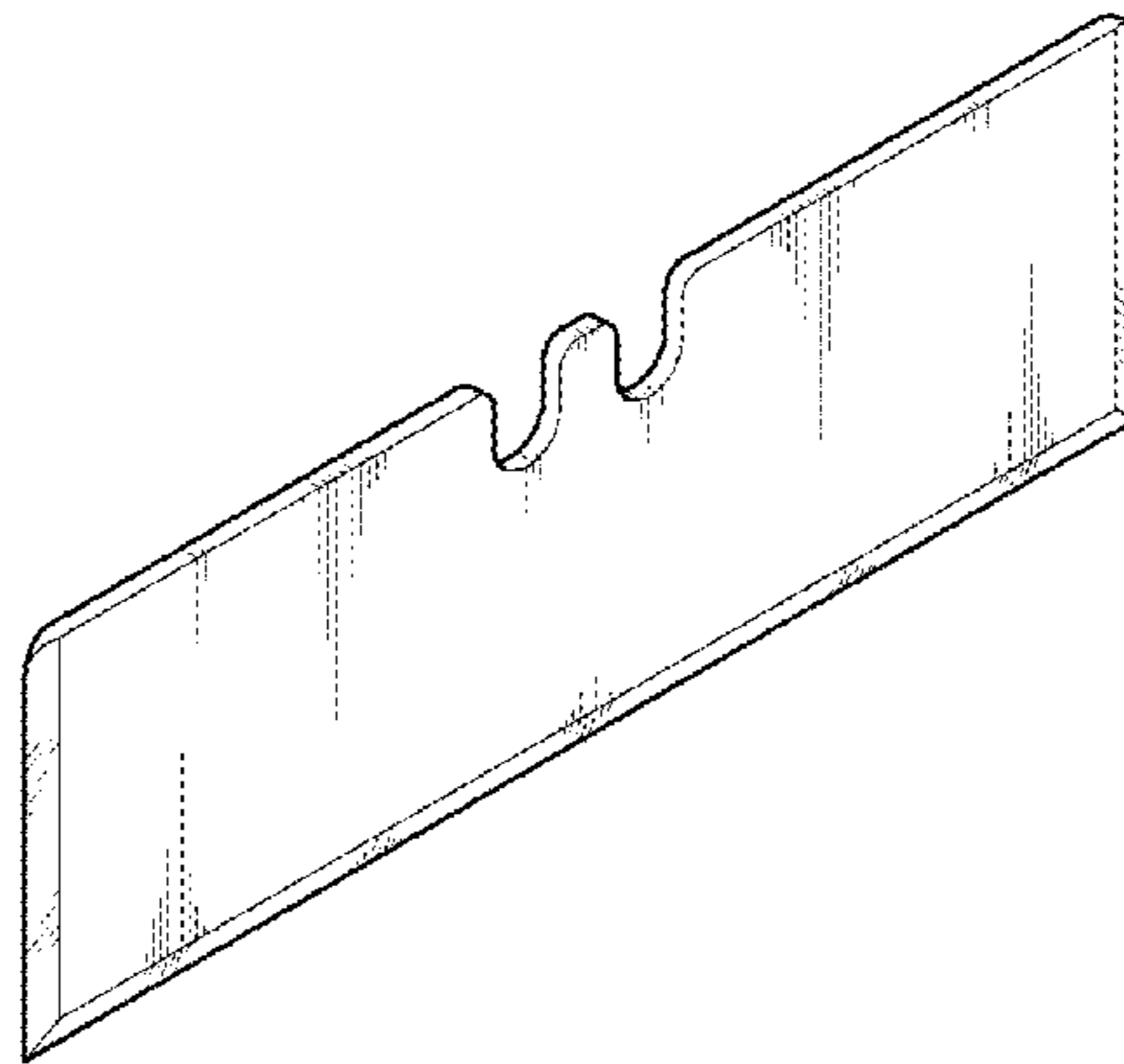


FIG. 1

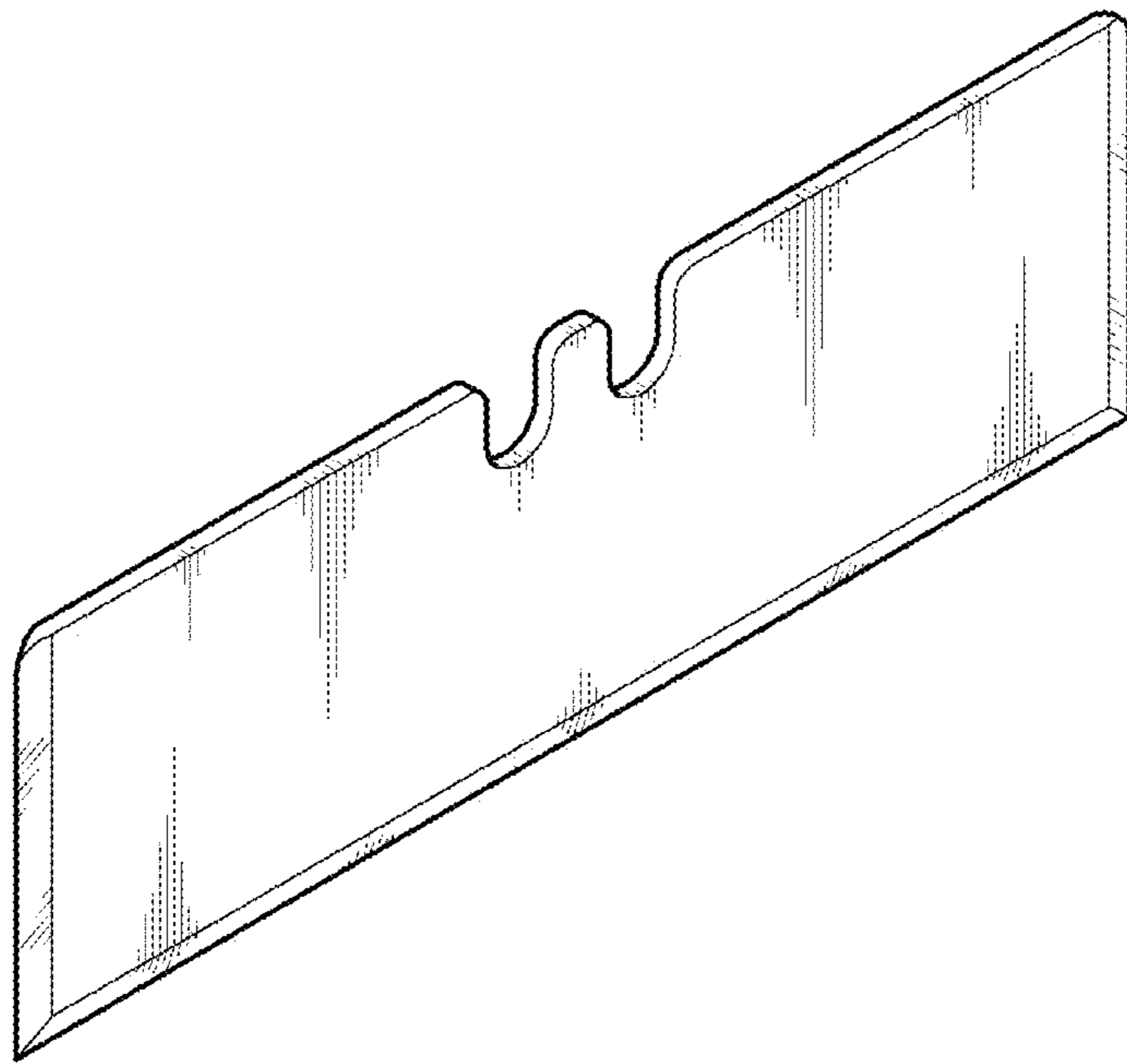


FIG. 2

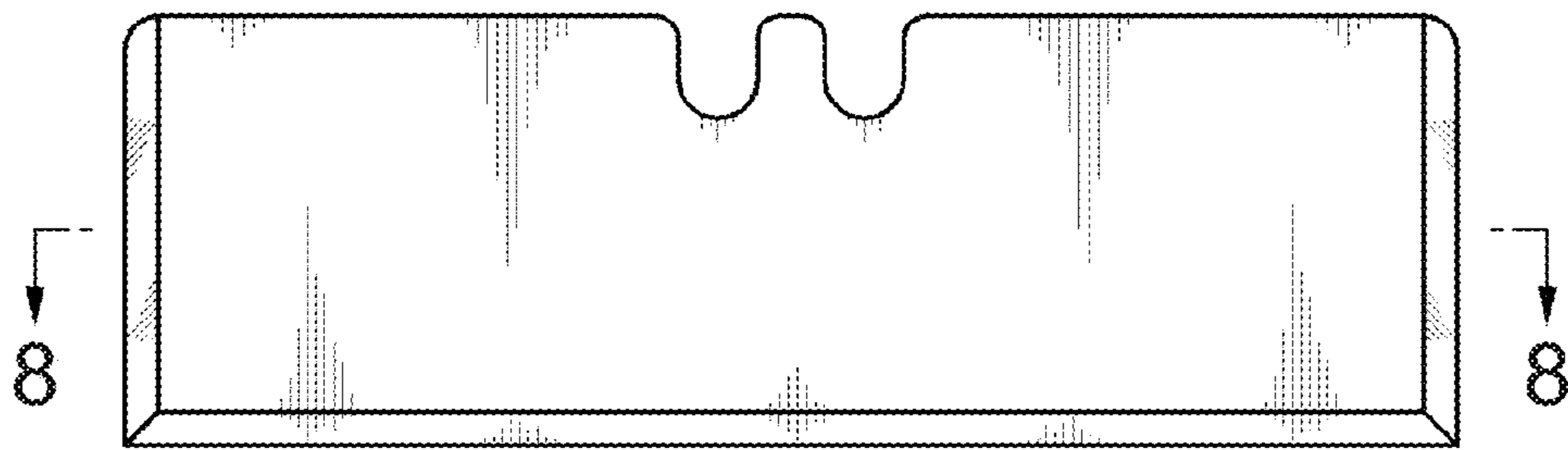


FIG. 3

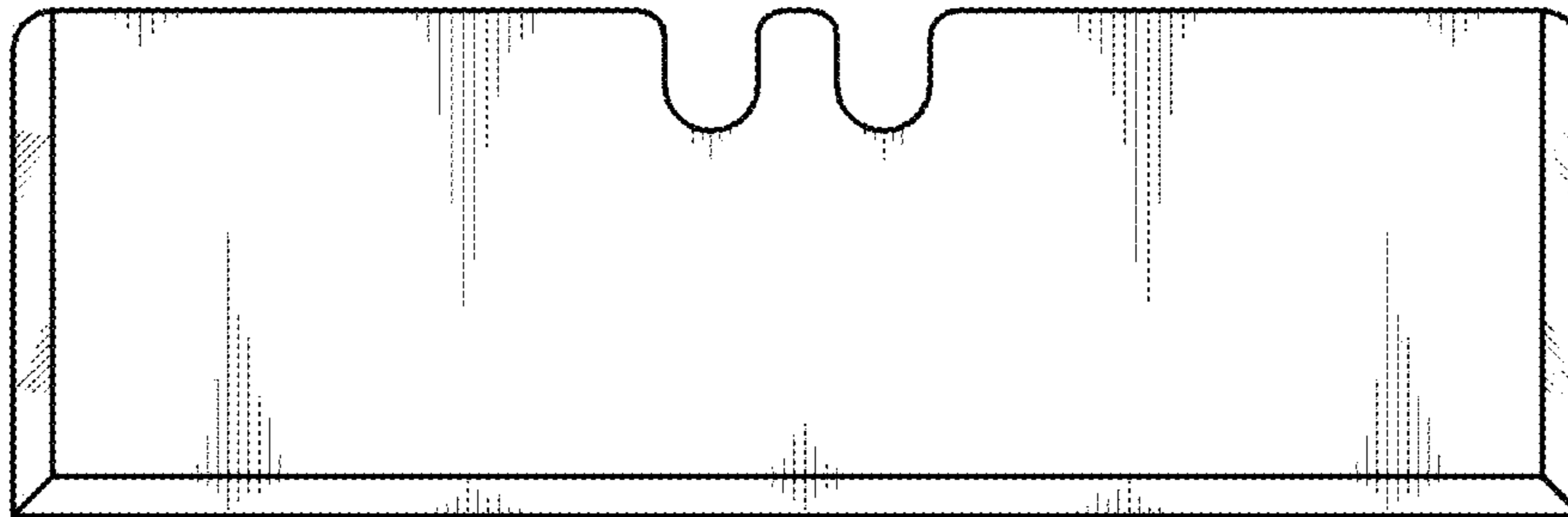


FIG. 4



FIG. 5



FIG. 6

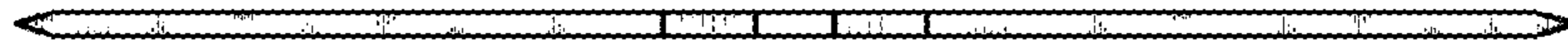


FIG. 7

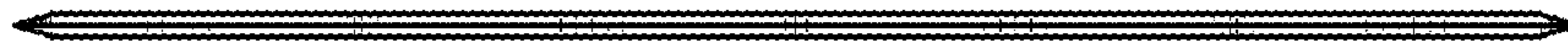




FIG. 8

