



US00D695577S

(12) **United States Design Patent**
Bourbeau

(10) **Patent No.:** **US D695,577 S**

(45) **Date of Patent:** **** Dec. 17, 2013**

(54) **BURGER PRESS**

3,863,020 A 1/1975 Robinson
3,909,881 A * 10/1975 Anderson 425/116
3,934,308 A * 1/1976 Neri 425/409

(71) Applicant: **Atlantic Promotions Inc.**, Longueuil
(CA)

(Continued)

(72) Inventor: **Nicolas Bourbeau**, Lachine (CA)

FOREIGN PATENT DOCUMENTS

(73) Assignee: **Atlantic Promotions Inc.**, Quebec (CA)

ES 2004920 A6 2/1989
WO 2009121052 A2 10/2009

(**) Term: **14 Years**

Primary Examiner — Terry Wallace

(21) Appl. No.: **29/444,672**

(74) *Attorney, Agent, or Firm* — McDermott Will & Emery
LLP

(22) Filed: **Feb. 1, 2013**

(57) **CLAIM**

The ornamental design for a burger press, as shown and described.

(51) **LOC (9) Cl.** **07-04**

DESCRIPTION

(52) **U.S. Cl.**

USPC **D7/672**

(58) **Field of Classification Search**

USPC D7/672-677; 426/513, 512; 100/295;
99/450.6, 495; 425/150, 116, 338, 284,
425/298, 299, 519, 521, 318, 195, 409;
30/301-303, 114, 117, 305, 316;
249/112, 117, 156

See application file for complete search history.

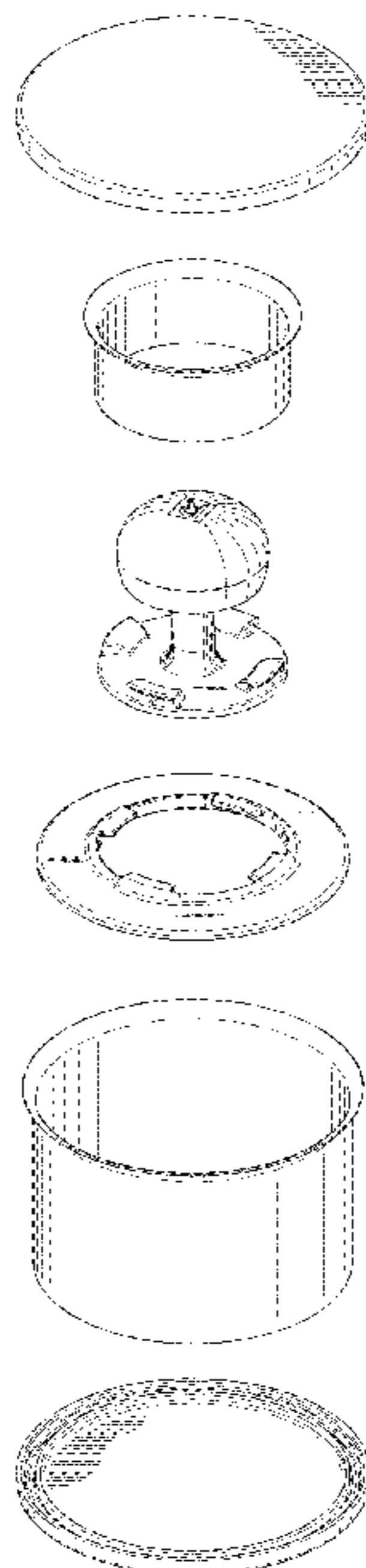
FIG. 1 is an exploded view of the burger press showing my new design, in a first position.
FIG. 2 is an exploded view thereof in a second position.
FIG. 3 is an exploded view thereof in a third position.
FIG. 4 is an exploded view thereof in a fourth position.
FIG. 5 is an exploded view thereof in a fifth position.
FIG. 6 is an exploded view thereof in a sixth position.
FIG. 7 is a perspective view thereof in an assembled position.
FIG. 8 is a top plan view of FIG. 7.
FIG. 9 is a cross-section taken along line 9-9 of FIG. 8.
FIG. 10 is a cross-section taken along line 10-10 of FIG. 9.
FIG. 11 is a cross-section taken along line 11-11 of FIG. 9.
FIG. 12 is an exploded view thereof in a seventh position.
FIG. 13 is a cross-section taken along line 13-13 of FIG. 12;
and,
FIG. 14 is a cross-section taken along line 14-14 of FIG. 12.
The broken lines are for illustrative purposes only and form no part of the claimed design.

(56) **References Cited**

U.S. PATENT DOCUMENTS

1,297,900 A 3/1919 Patton
2,008,725 A 7/1935 Parker
2,553,880 A 5/1951 Stigler
2,584,536 A * 2/1952 Belt 425/318
2,631,331 A 3/1953 Babbit
3,679,167 A 7/1972 Jupiter et al.
3,697,036 A 10/1972 Kanbar et al.
3,837,775 A * 9/1974 Boucher 425/195

1 Claim, 14 Drawing Sheets



(56)

References Cited

U.S. PATENT DOCUMENTS

3,943,602 A * 3/1976 Siclari 425/338
D245,827 S * 9/1977 Korpi D7/674
4,106,162 A 8/1978 Fournier
4,765,029 A 8/1988 Rogan
5,007,819 A 4/1991 Anderson
D350,882 S * 9/1994 Charland D7/672
5,417,149 A 5/1995 Raio et al.
D364,992 S 12/1995 Wooderson
D401,482 S 11/1998 De Are

D415,396 S 10/1999 Loughead et al.
6,386,854 B1 5/2002 Guss
D481,913 S * 11/2003 Wright D7/672
6,997,697 B2 2/2006 Balkos et al.
D610,869 S 3/2010 Pourounidis et al.
8,038,118 B1 * 10/2011 Ajakie 249/156
2001/0031302 A1 10/2001 Balkos et al.
2006/0006581 A1 1/2006 St. Germain et al.
2008/0282477 A1 11/2008 Cravatt
2009/0246311 A1 * 10/2009 Hauser 425/519
2010/0107900 A1 5/2010 Hanson
2010/0239735 A1 9/2010 Robbins

* cited by examiner

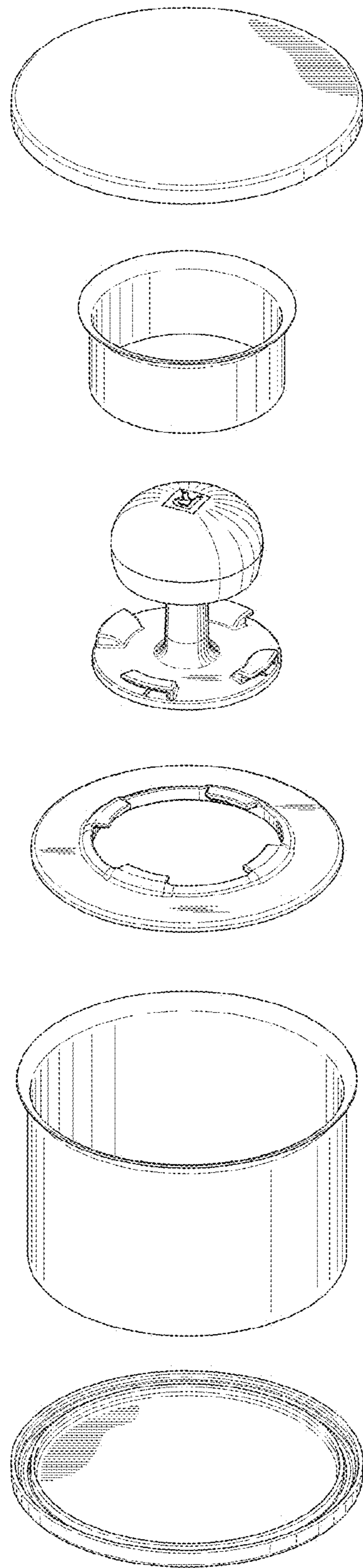


FIG. 1

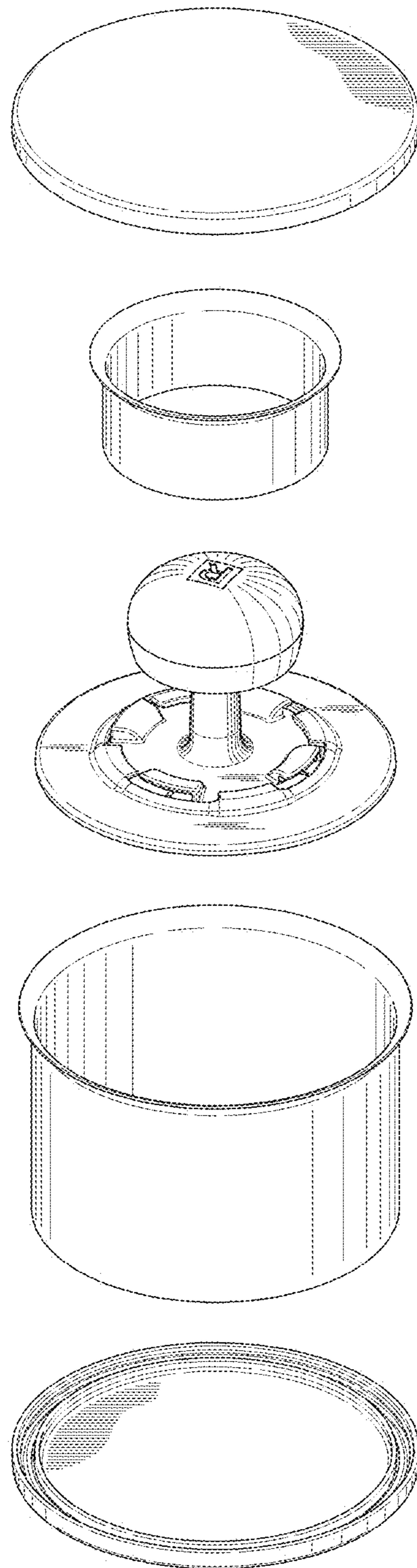


FIG. 2

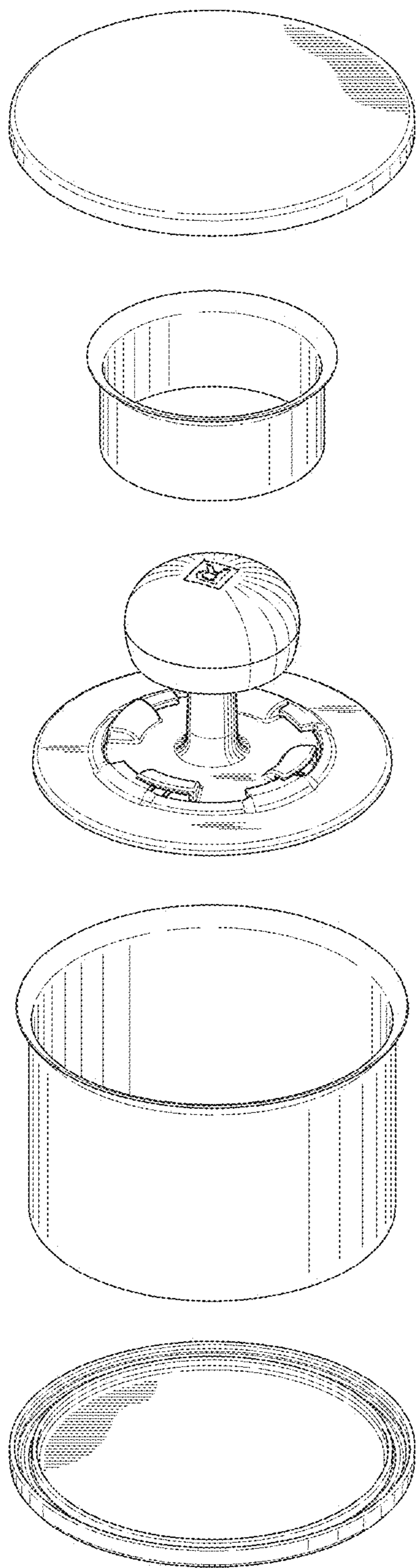


FIG. 3

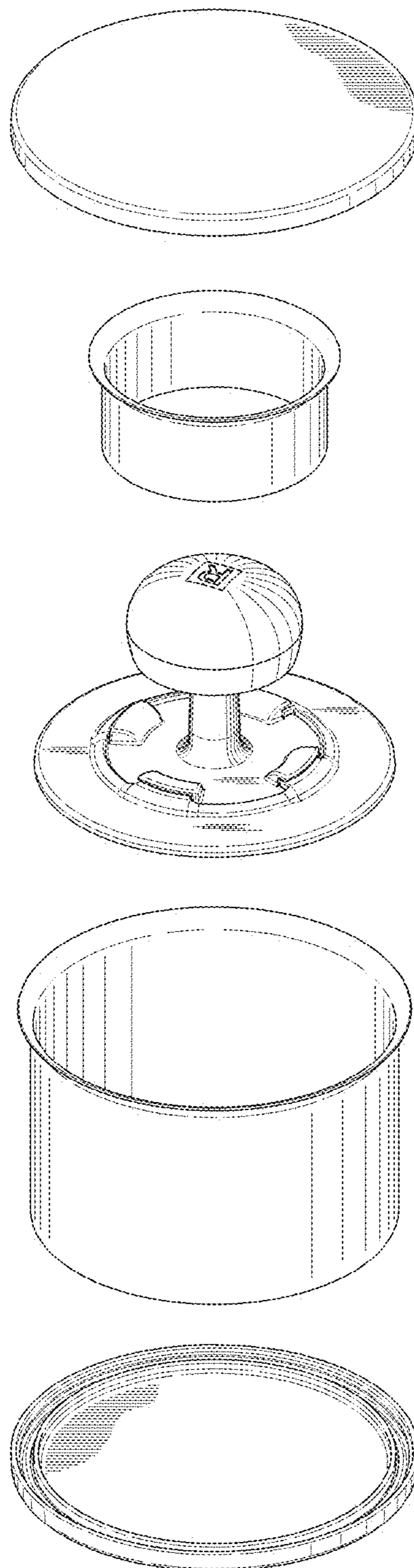


FIG. 4

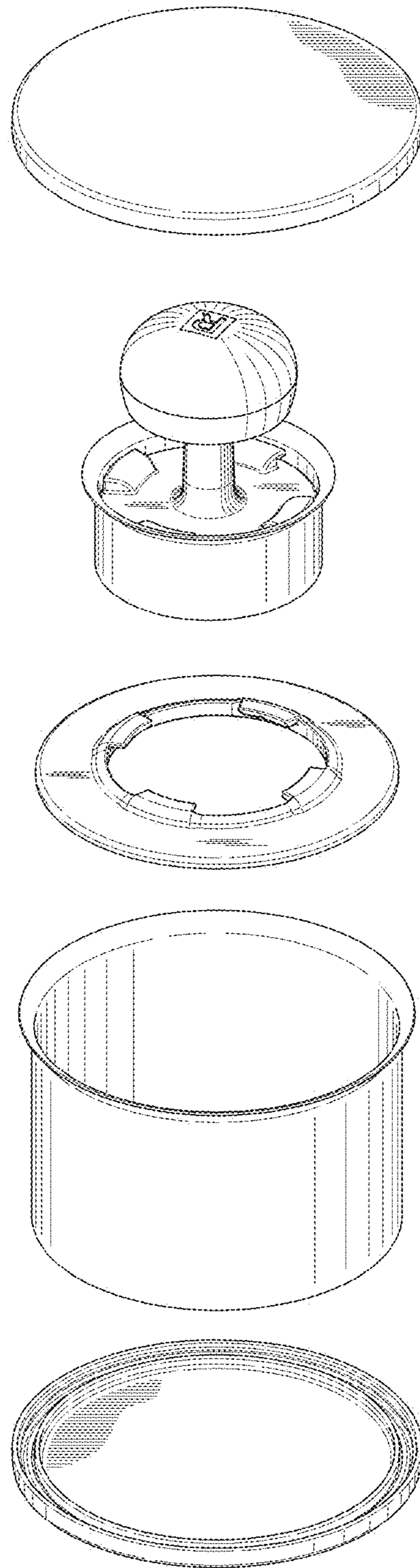


FIG. 5

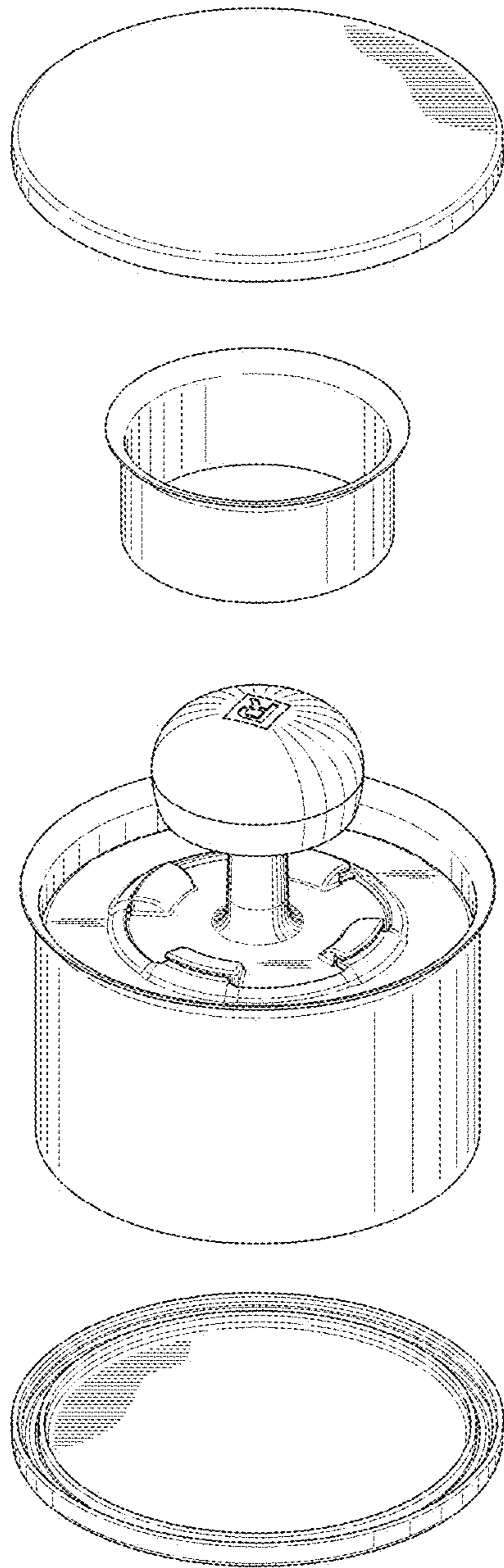


FIG. 6

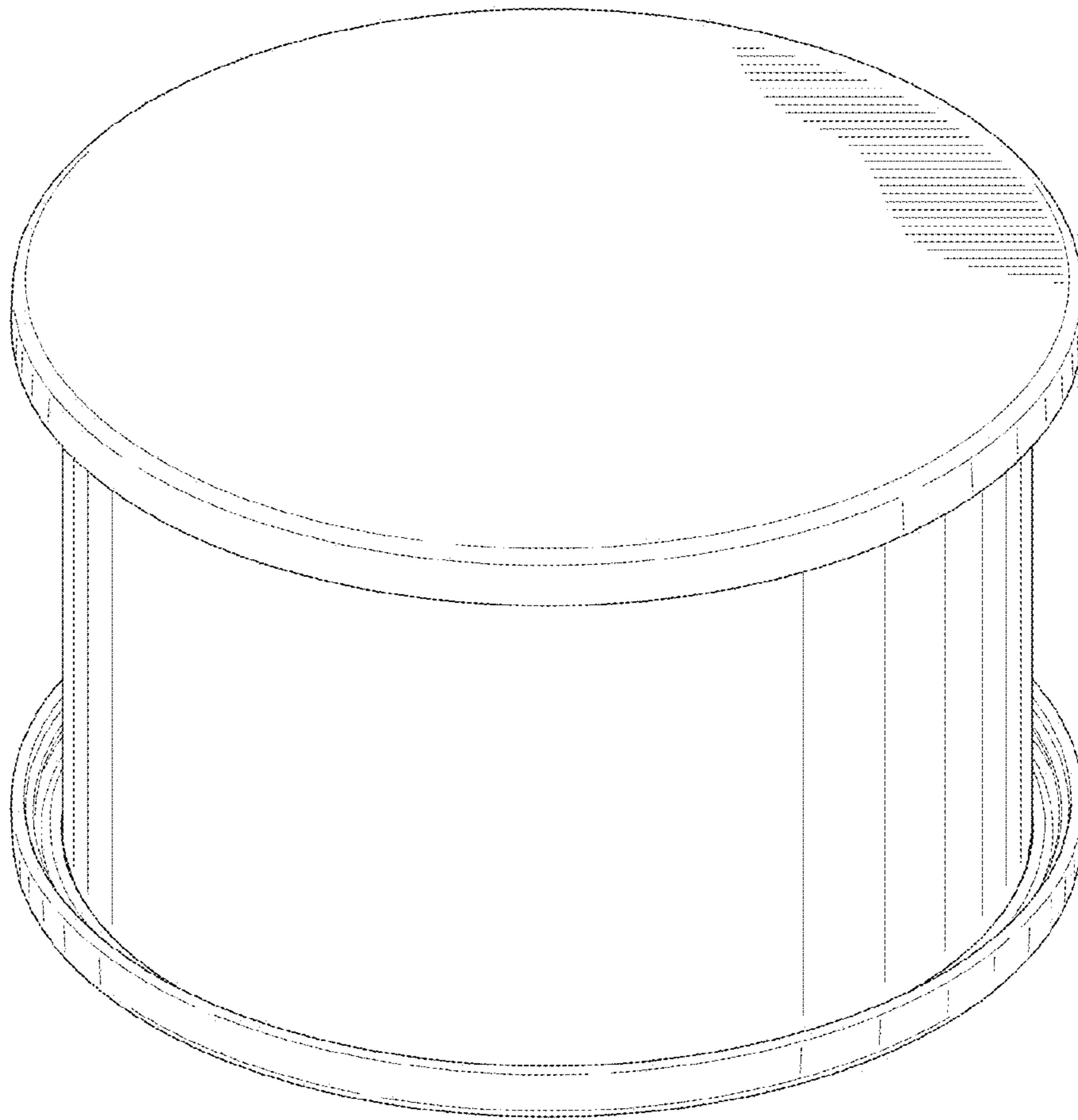


FIG. 7

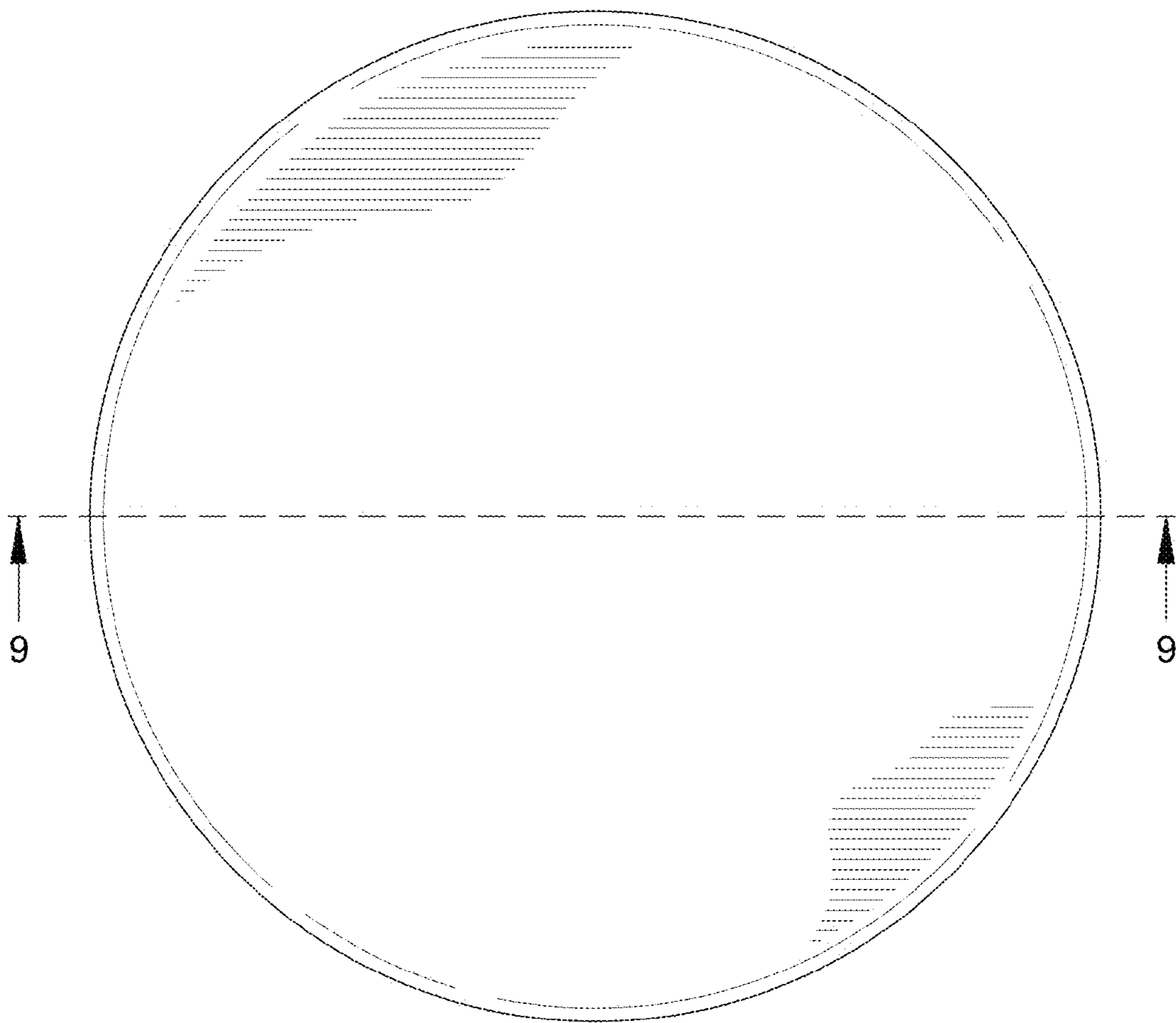


FIG. 8

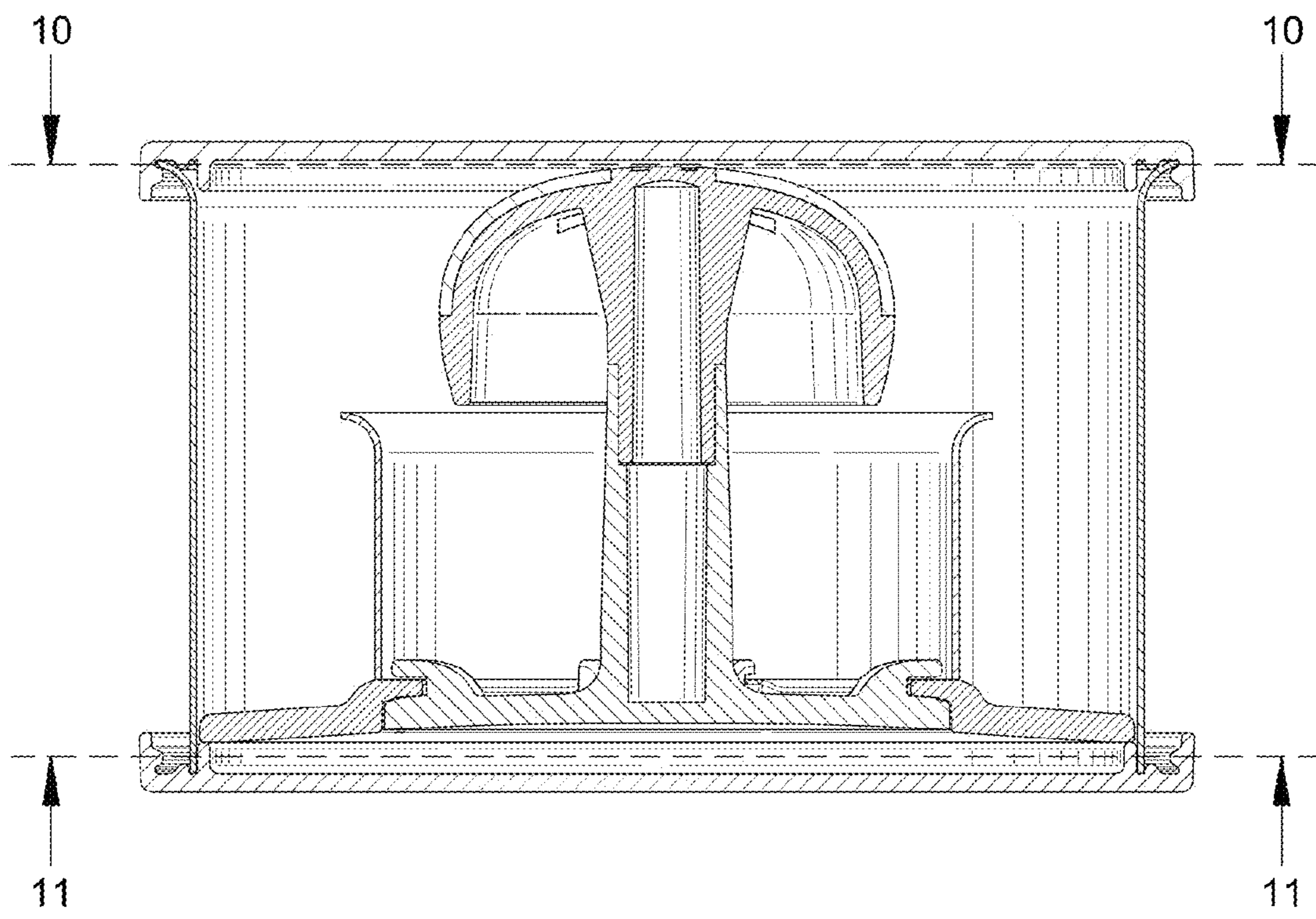


FIG. 9

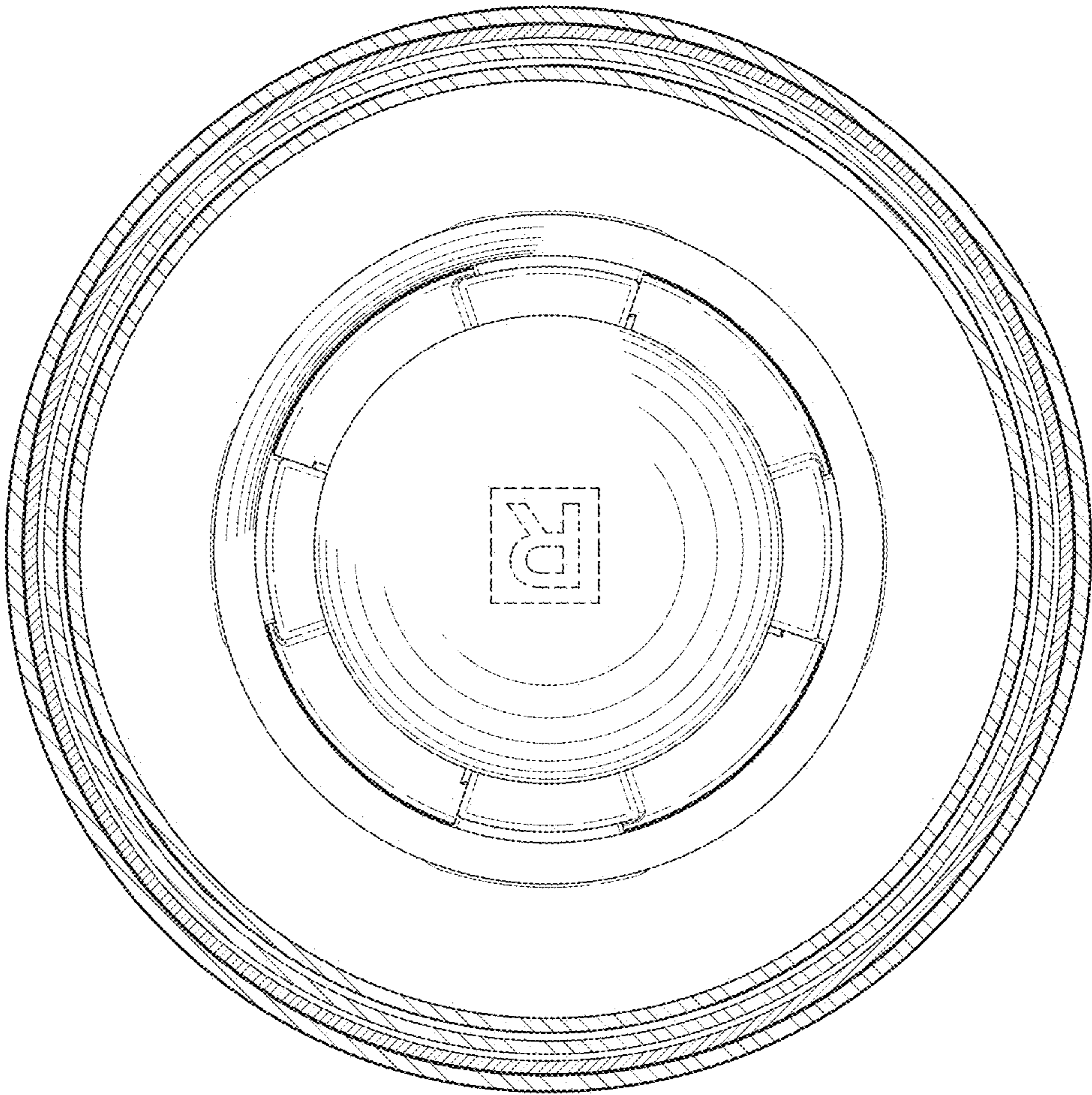


FIG. 10

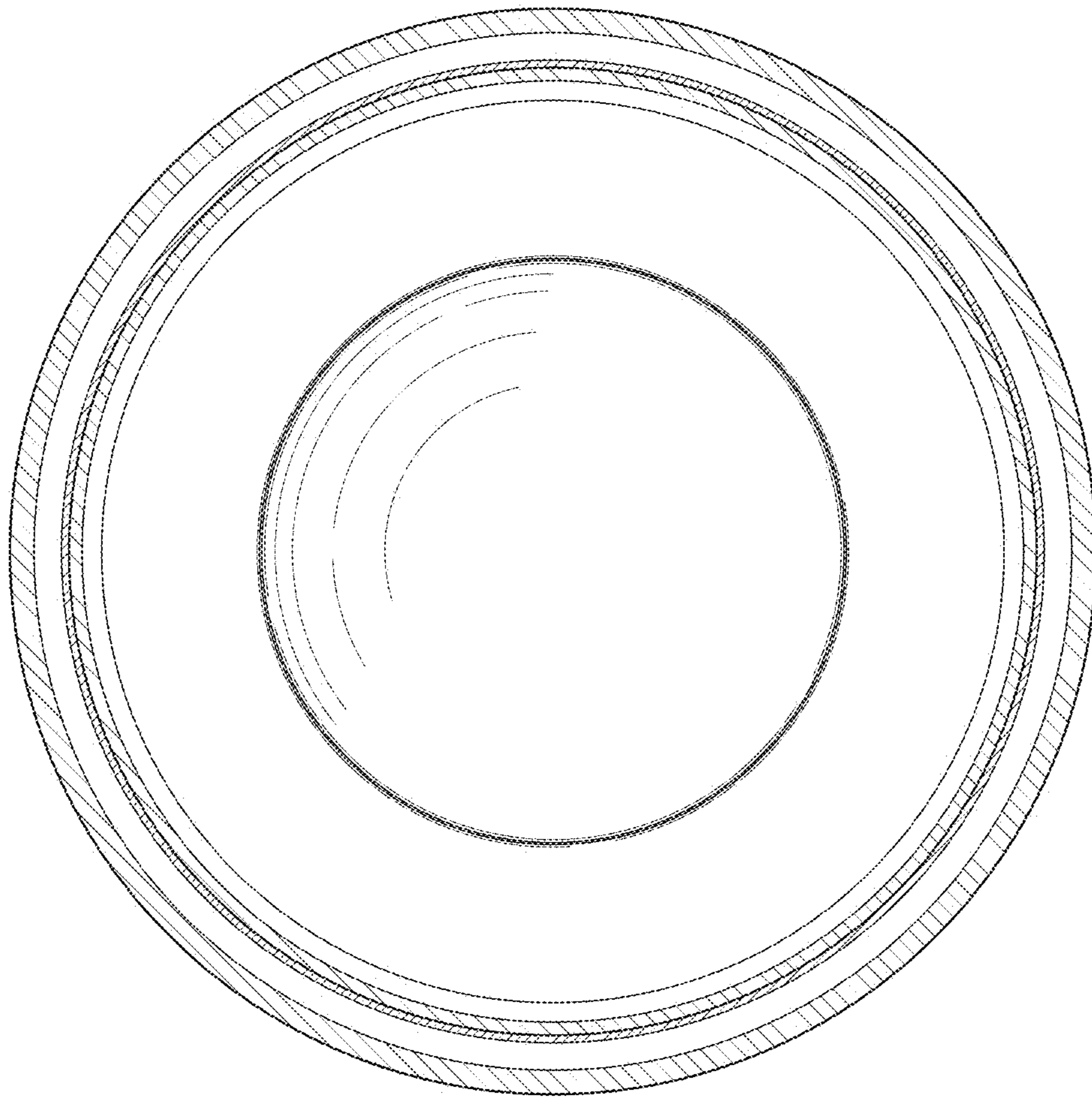


FIG. 11

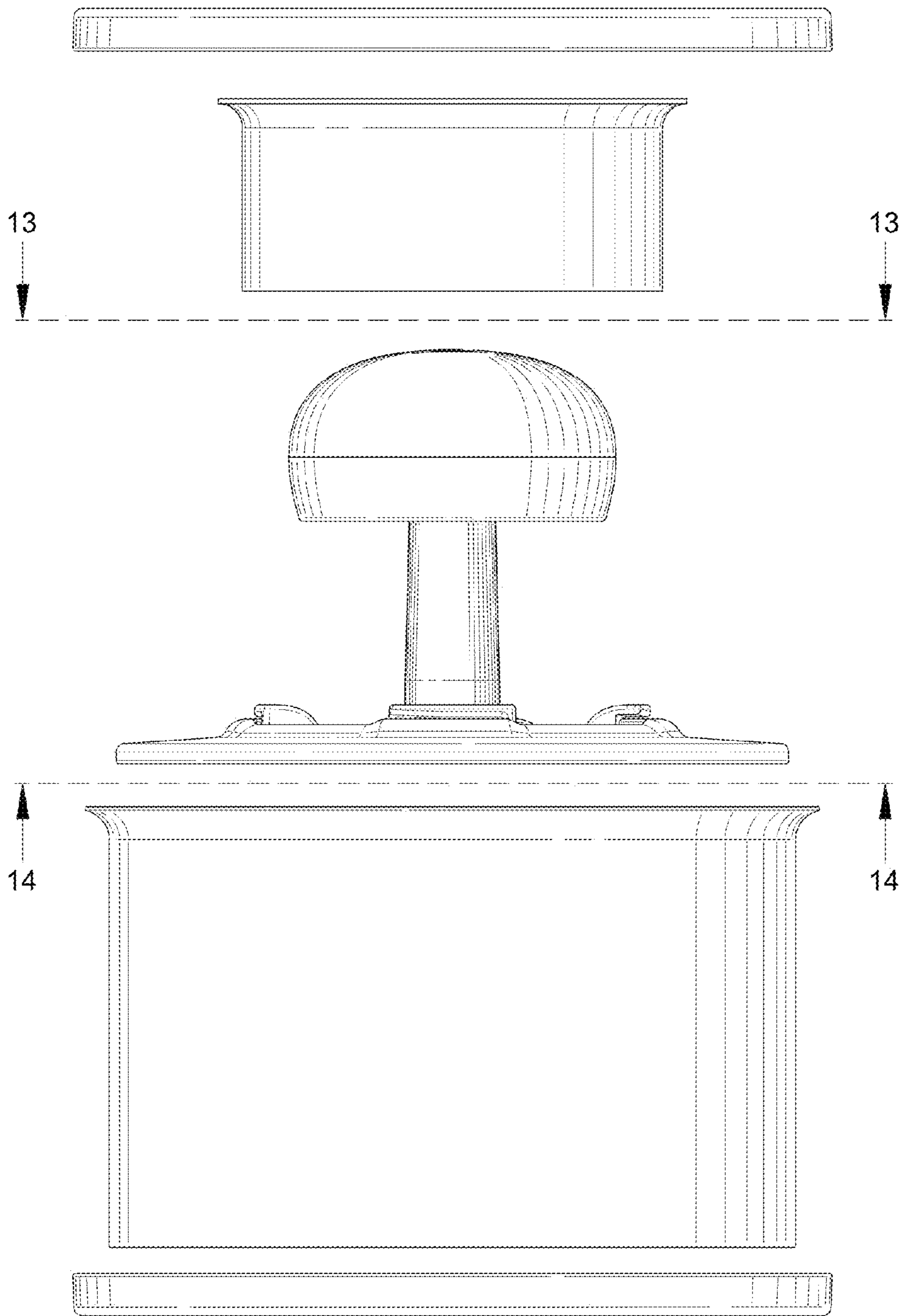


FIG. 12

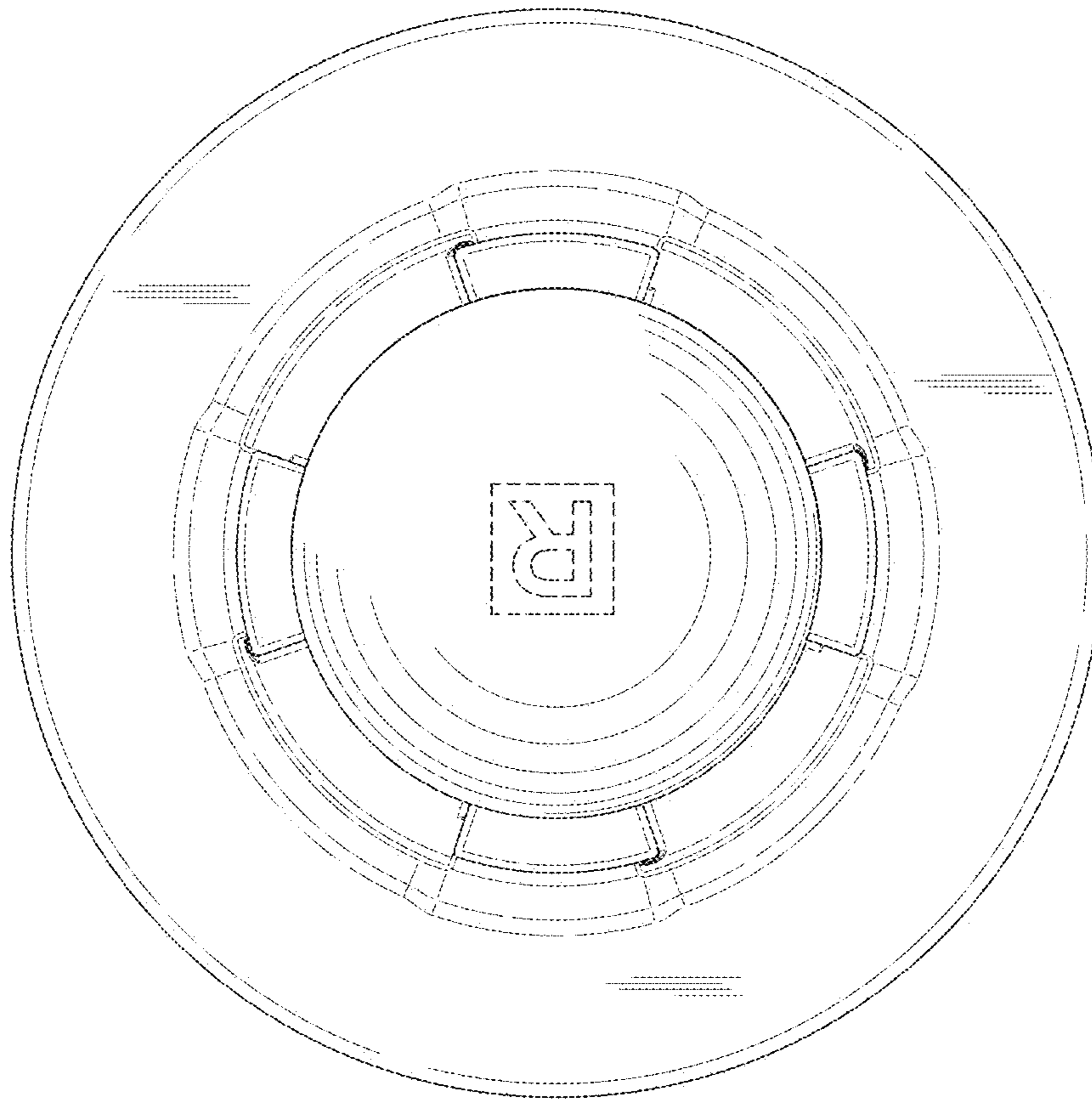


FIG. 13

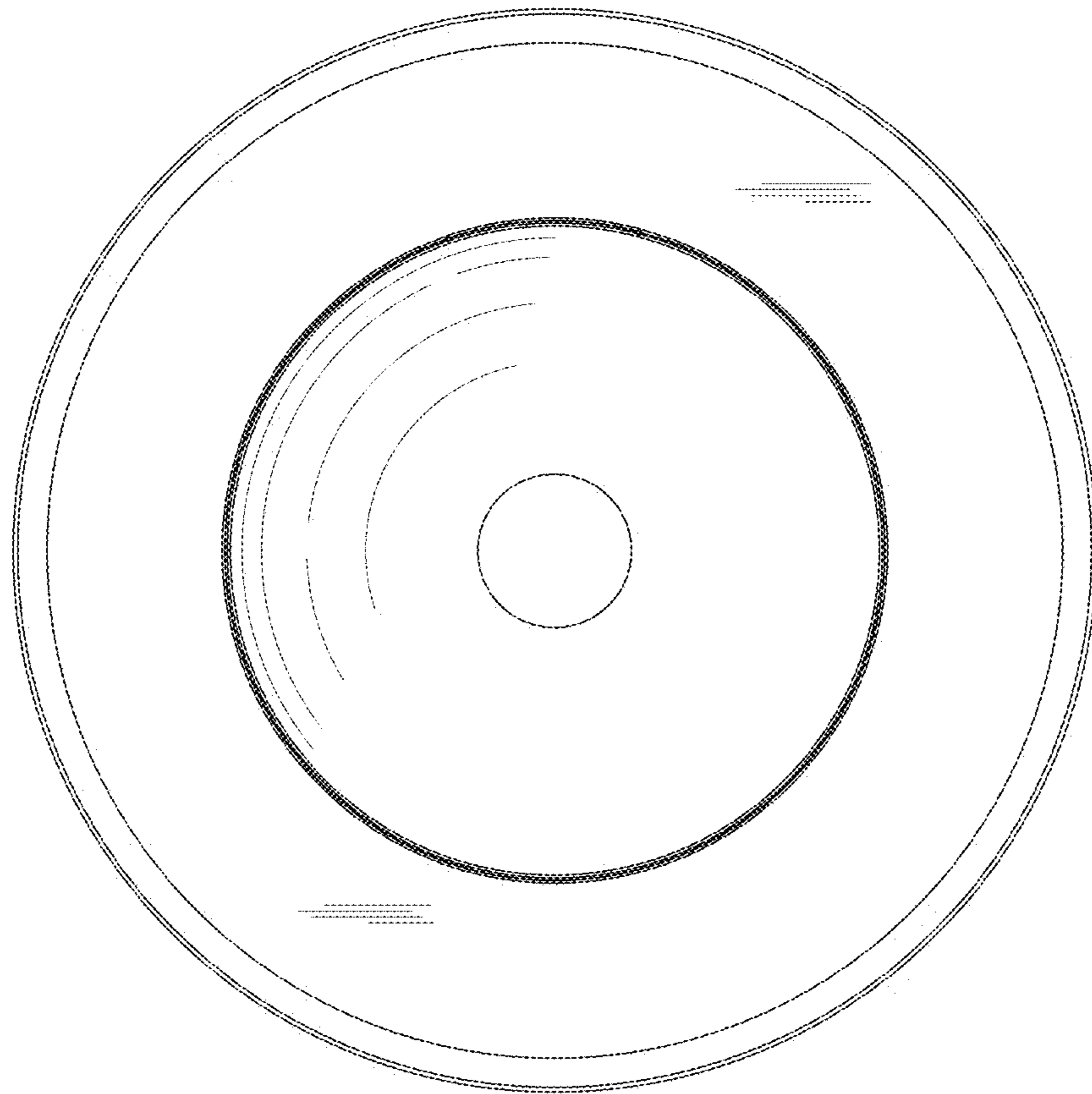


FIG. 14