



US00D695575S

(12) **United States Design Patent**  
**Katz**

(10) **Patent No.:** **US D695,575 S**

(45) **Date of Patent:** **\*\* Dec. 17, 2013**

(54) **LUNCHBOX**

(71) Applicant: **Mike Aviv Katz**, Canoga Park, CA (US)

(72) Inventor: **Mike Aviv Katz**, Canoga Park, CA (US)

(73) Assignee: **Smart Innovations Inc.**, Canoga Park, CA (US)

(\*\*) Term: **14 Years**

(21) Appl. No.: **29/453,597**

(22) Filed: **Apr. 30, 2013**

(51) **LOC (9) Cl.** ..... **07-07**

(52) **U.S. Cl.**  
USPC ..... **D7/629**

(58) **Field of Classification Search**  
USPC ..... D7/601, 602, 629, 630, 709, 538-542;  
D9/761, 424-432; 206/557, 558, 562,  
206/563, 216, 223, 541; 220/669-673, 675,  
220/574-575, 573.1, 660, 260, 288,  
220/780-806, 326, 236, 4.21, 4.24  
See application file for complete search history.

(56) **References Cited**

**U.S. PATENT DOCUMENTS**

D224,554 S *	8/1972	Swett	.....	D7/629
4,930,637 A *	6/1990	DeRoseau	.....	206/541
6,112,899 A *	9/2000	Zeringue	.....	206/541
D449,495 S *	10/2001	Tucker et al.	.....	D7/629
D451,769 S *	12/2001	Stanos et al.	.....	D7/629
D472,774 S *	4/2003	Pelstring et al.	.....	D7/629
D489,579 S *	5/2004	Wright	.....	D7/629
D515,880 S *	2/2006	Lerner	.....	D7/629
D530,160 S *	10/2006	Maltese et al.	.....	D7/629
D530,625 S *	10/2006	Darin	.....	D9/761
D605,896 S *	12/2009	Zalewski et al.	.....	D7/553.1
D646,587 S *	10/2011	Daniels	.....	D9/761
D655,988 S *	3/2012	Miros	.....	D7/629
D660,659 S *	5/2012	Cohen	.....	D7/629

D669,742 S *	10/2012	Cohen	.....	D7/629
2005/0006390 A1 *	1/2005	Wang	.....	220/326
2005/0035125 A1 *	2/2005	Bae	.....	220/326

\* cited by examiner

*Primary Examiner* — Terry Wallace

(74) *Attorney, Agent, or Firm* — David M. Kleiman

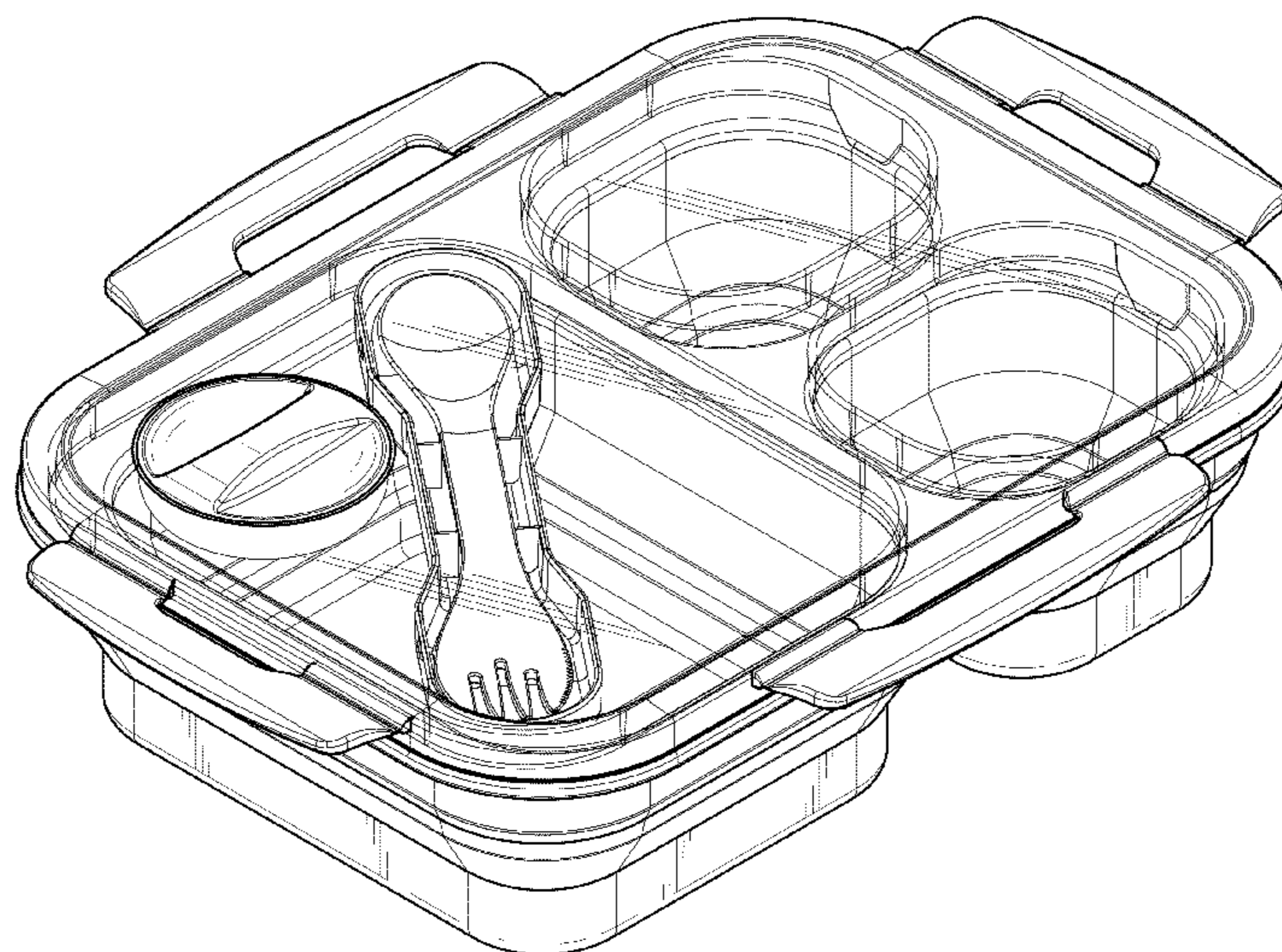
(57) **CLAIM**

The ornamental design for a lunchbox, as shown and described.

**DESCRIPTION**

FIG. 1 is a top front right perspective view of the lunchbox.  
 FIG. 2 is a right side view of the lunchbox.  
 FIG. 3 is a front side view of the lunchbox.  
 FIG. 4 is a back side view of the lunchbox.  
 FIG. 5 is a top view of the lunchbox.  
 FIG. 6 is a bottom view of the lunchbox.  
 FIG. 7 is a bottom back right perspective view of the lunchbox.  
 FIG. 8 is a top front right perspective view of the lunchbox.  
 FIG. 9 is a right side view of the lunchbox.  
 FIG. 10 is a front side view of the lunchbox.  
 FIG. 11 is a back side view of the lunchbox.  
 FIG. 12 is a top view of the lunchbox.  
 FIG. 13 is a bottom view of the lunchbox.  
 FIG. 14 is a bottom back right perspective view of the lunchbox.  
 FIG. 15 is a top front right perspective view of the lunchbox.  
 FIG. 16 is a right side view of the lunchbox.  
 FIG. 17 is a front side view of the lunchbox.  
 FIG. 18 is a back side view of the lunchbox.  
 FIG. 19 is a left side view of the lunchbox.  
 FIG. 20 is a top side view of the lunchbox.  
 FIG. 21 is a bottom side view of the lunchbox; and,  
 FIG. 22 is a bottom back right perspective view of the lunchbox.

**1 Claim, 22 Drawing Sheets**



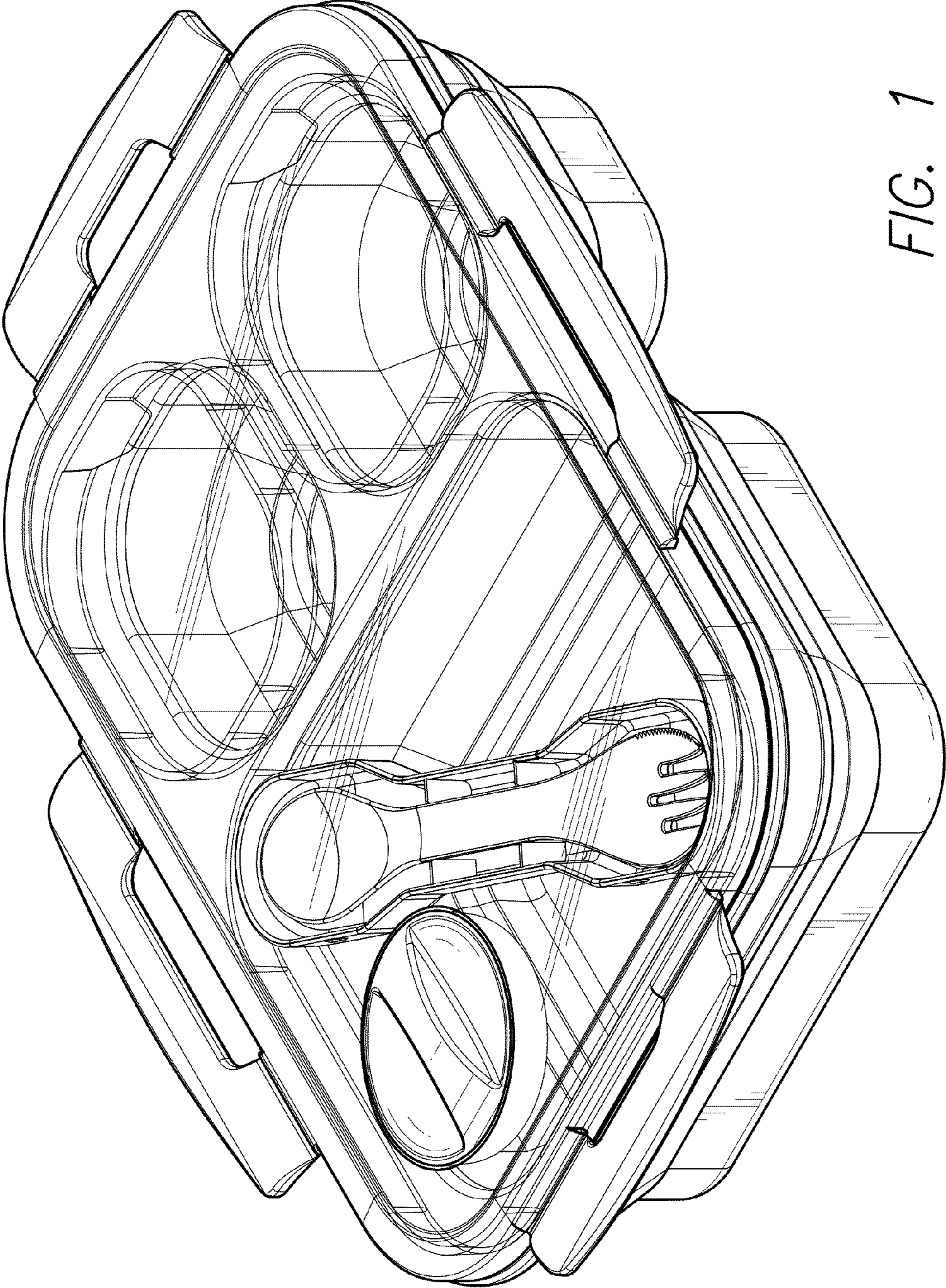


FIG. 1

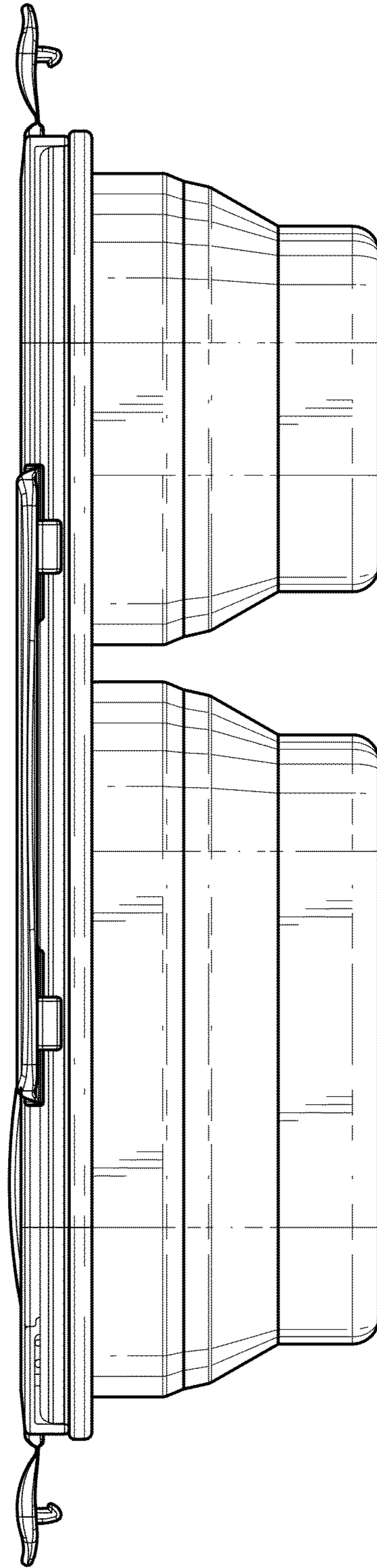


FIG. 2



FIG. 3

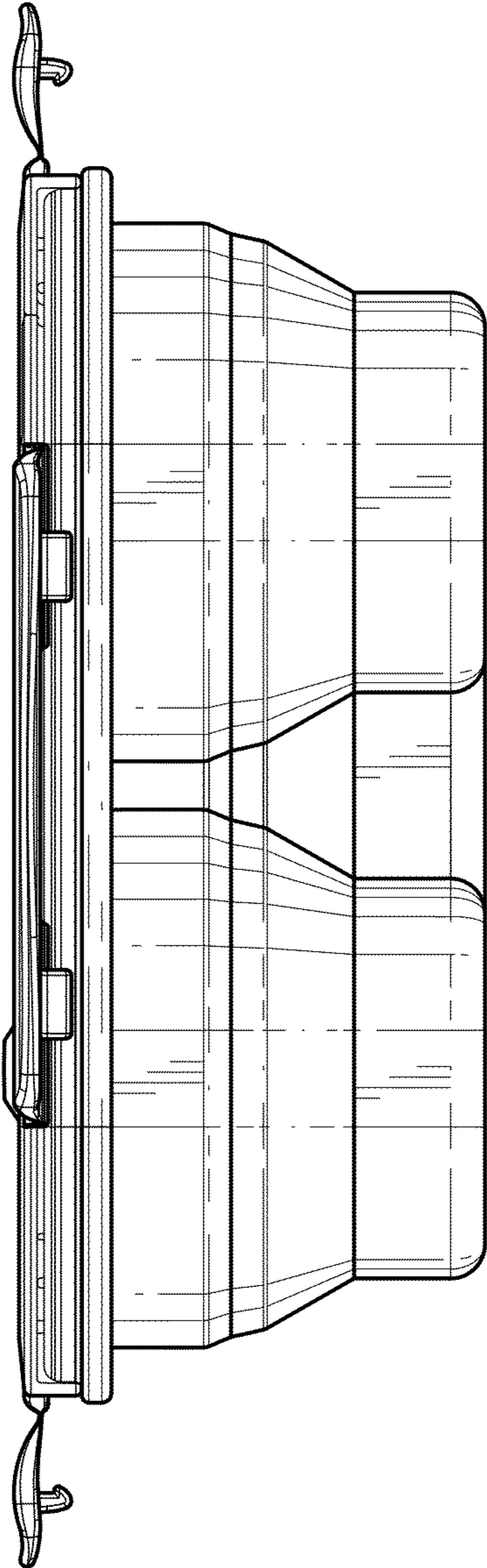


FIG. 4

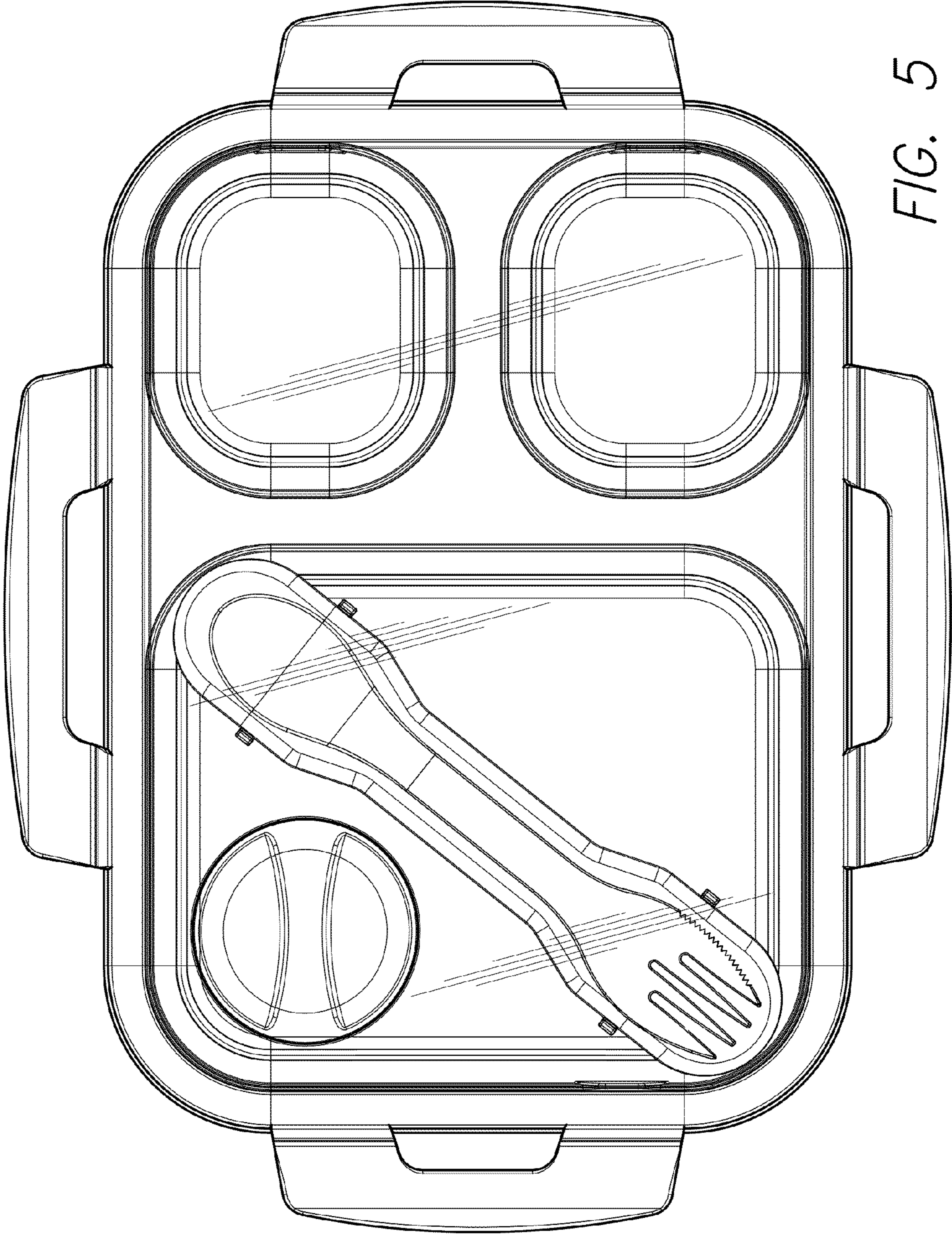


FIG. 5

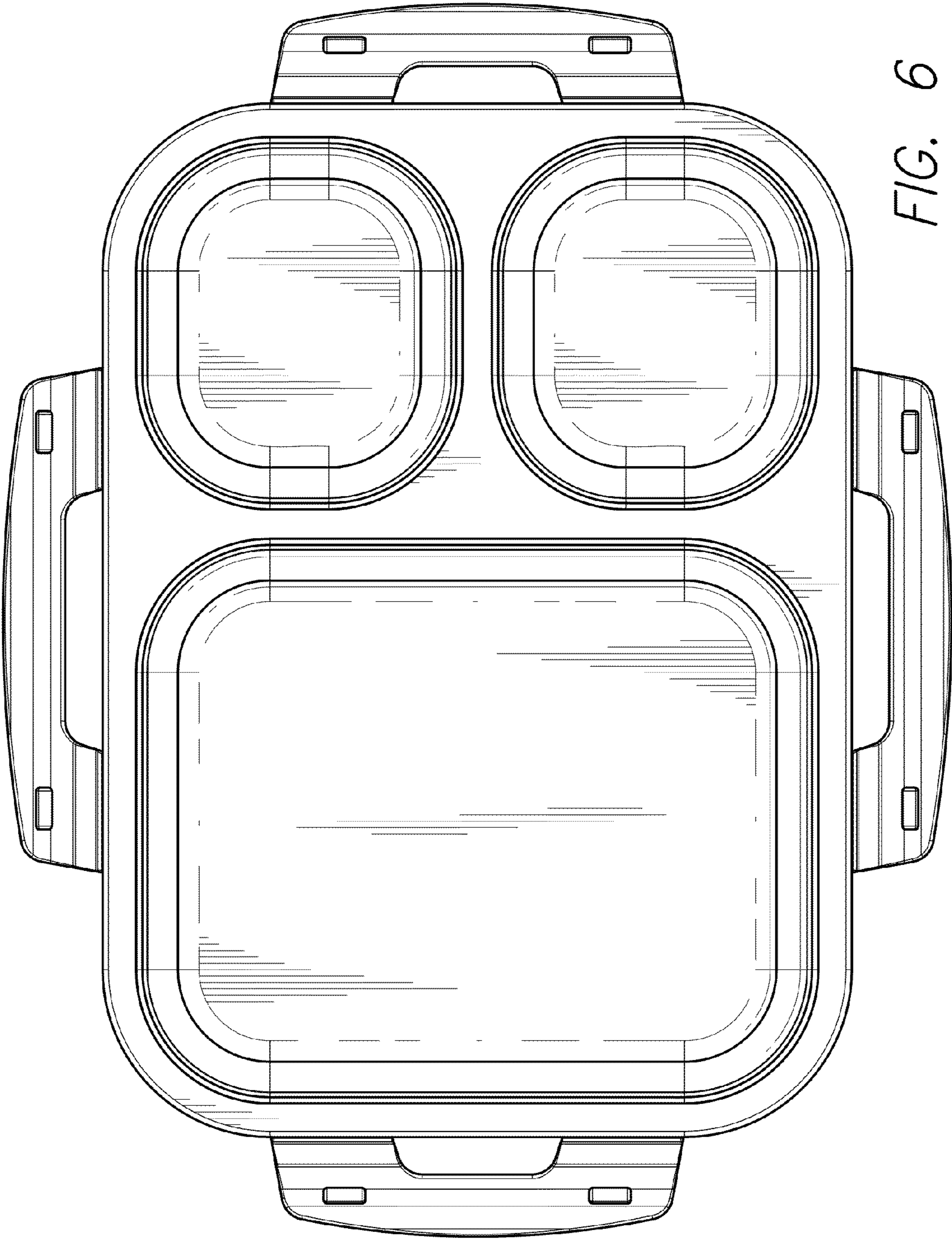


FIG. 6

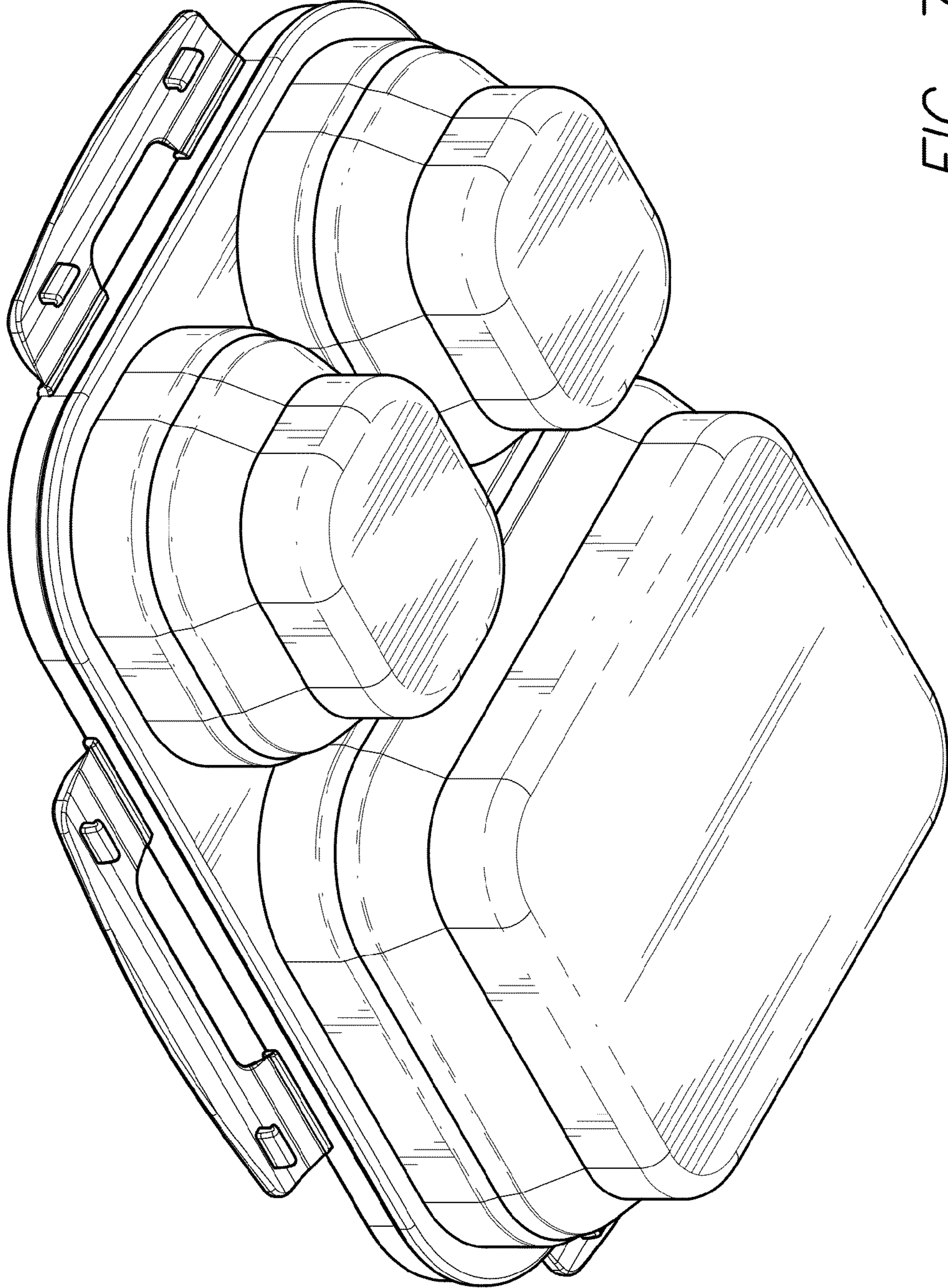


FIG. 7



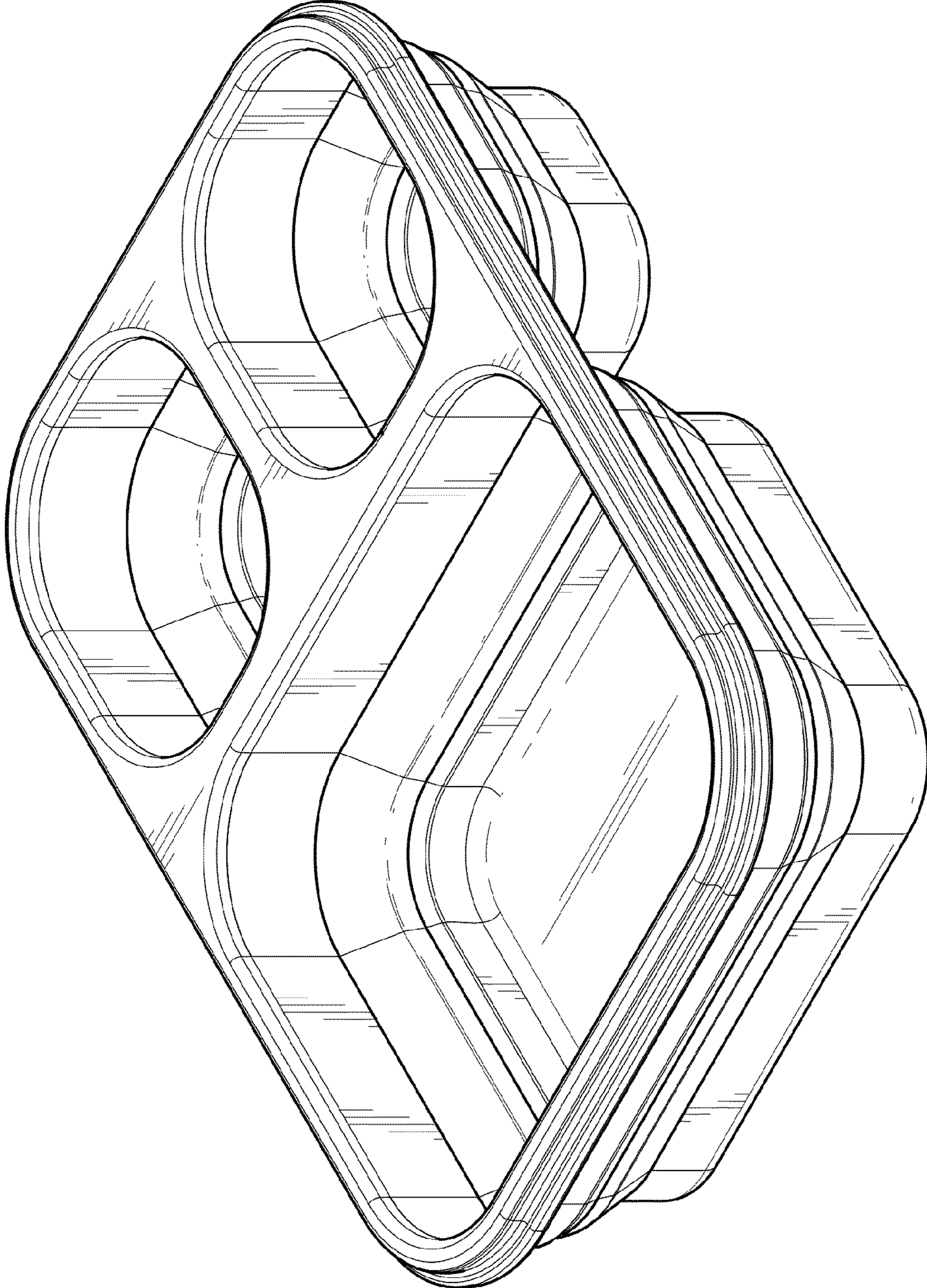


FIG. 8

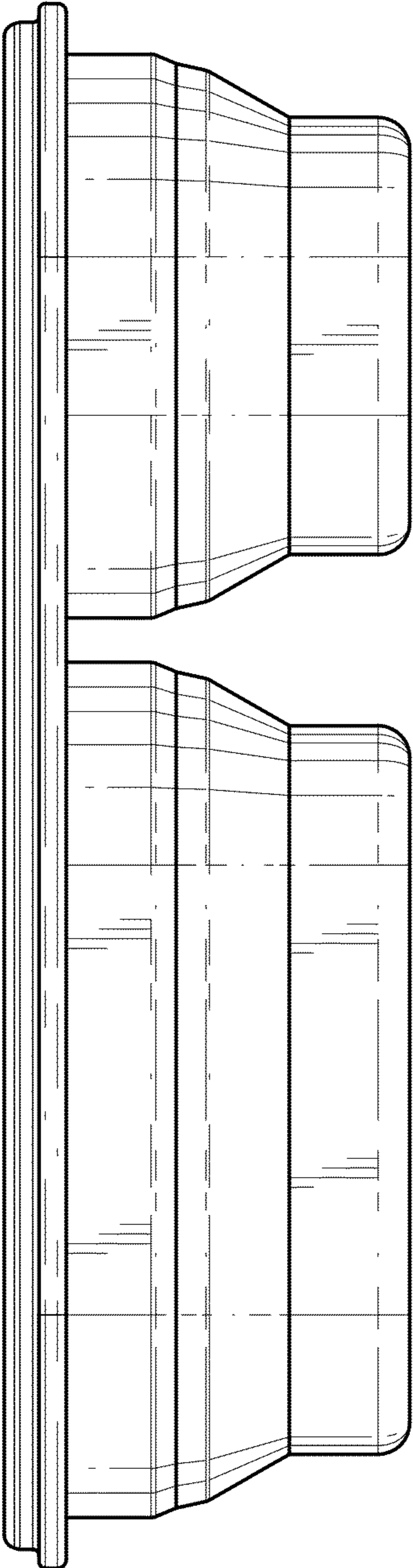
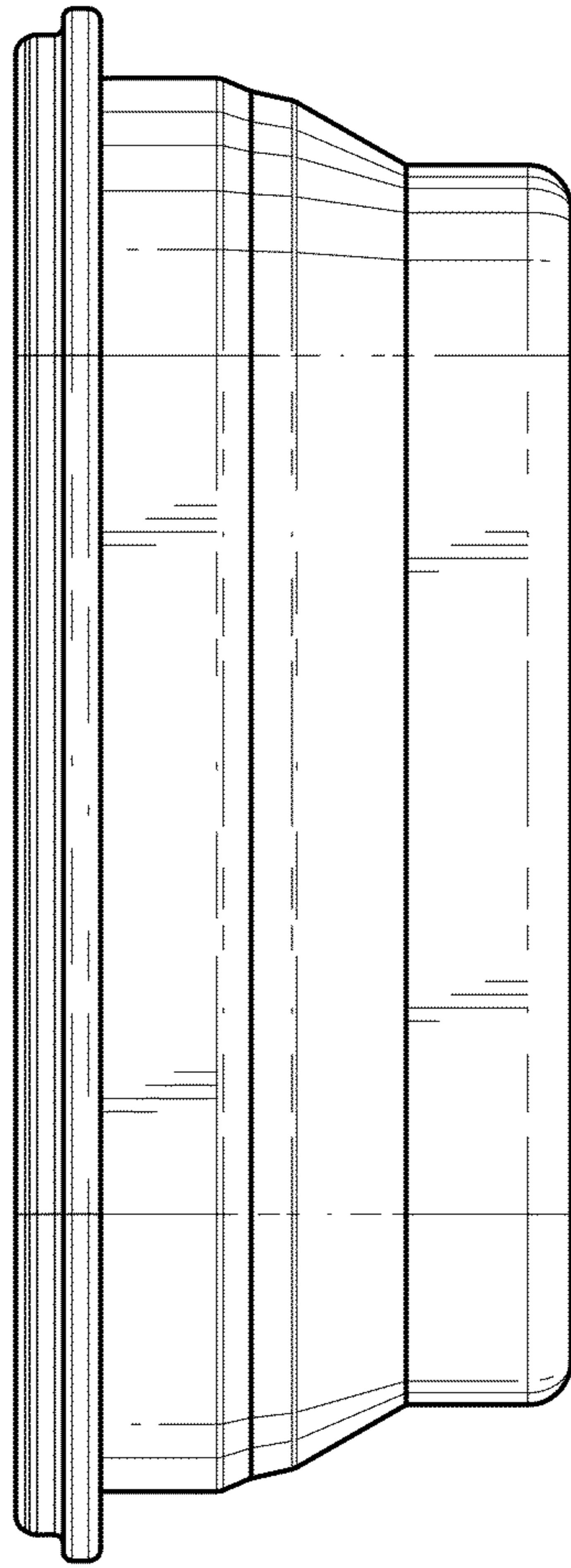


FIG. 9



*FIG. 10*

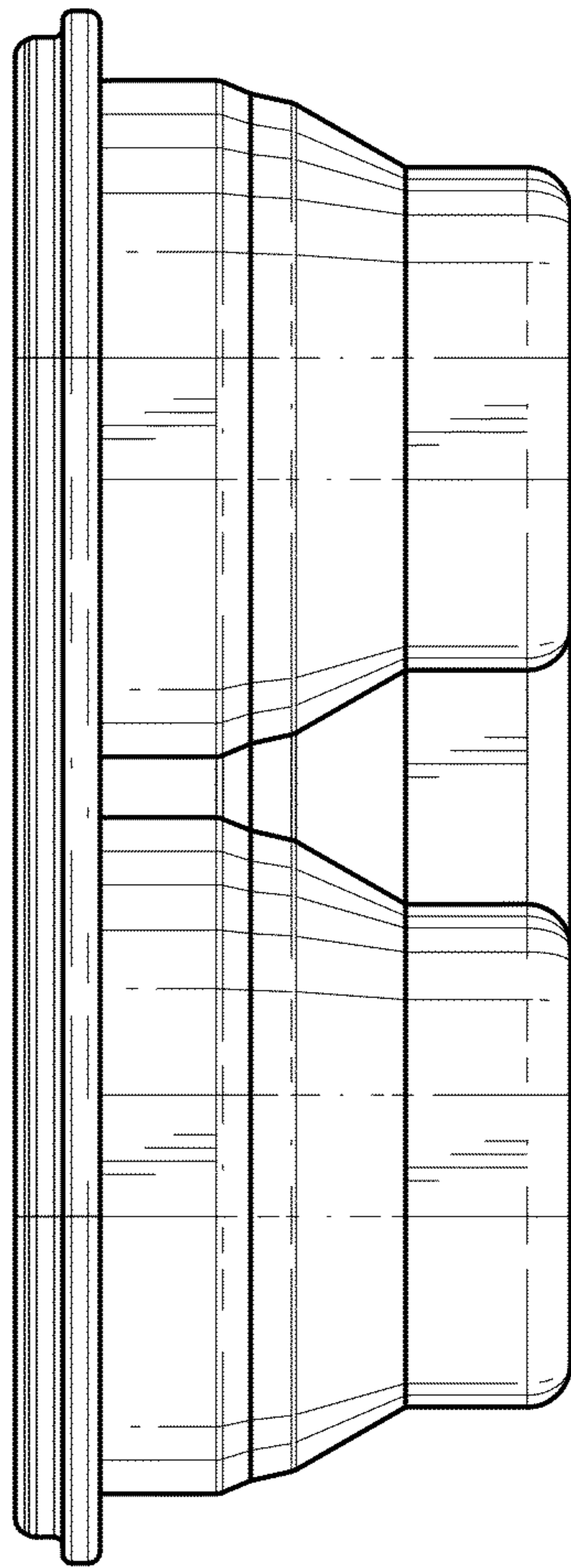


FIG. 11

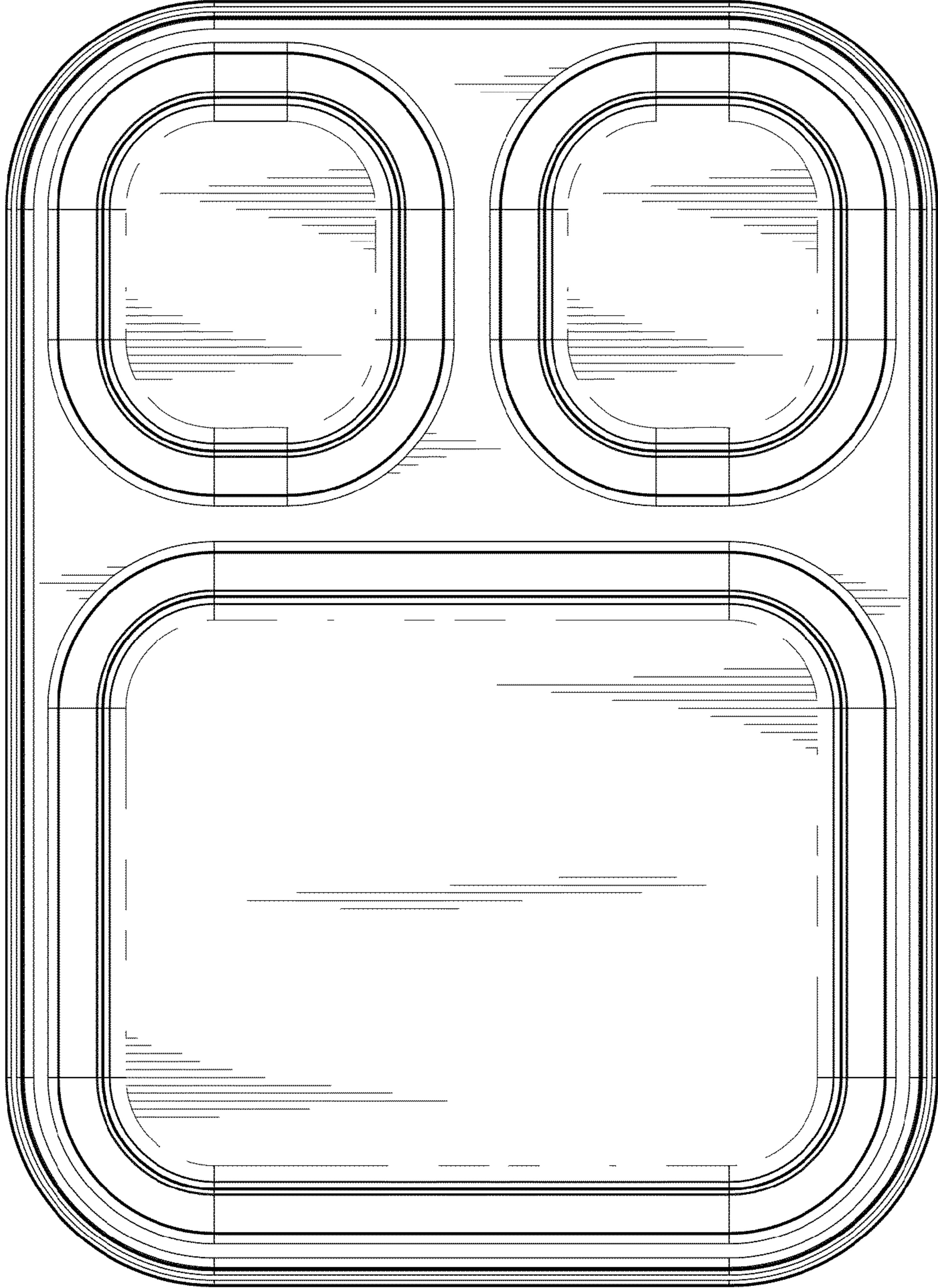


FIG. 12

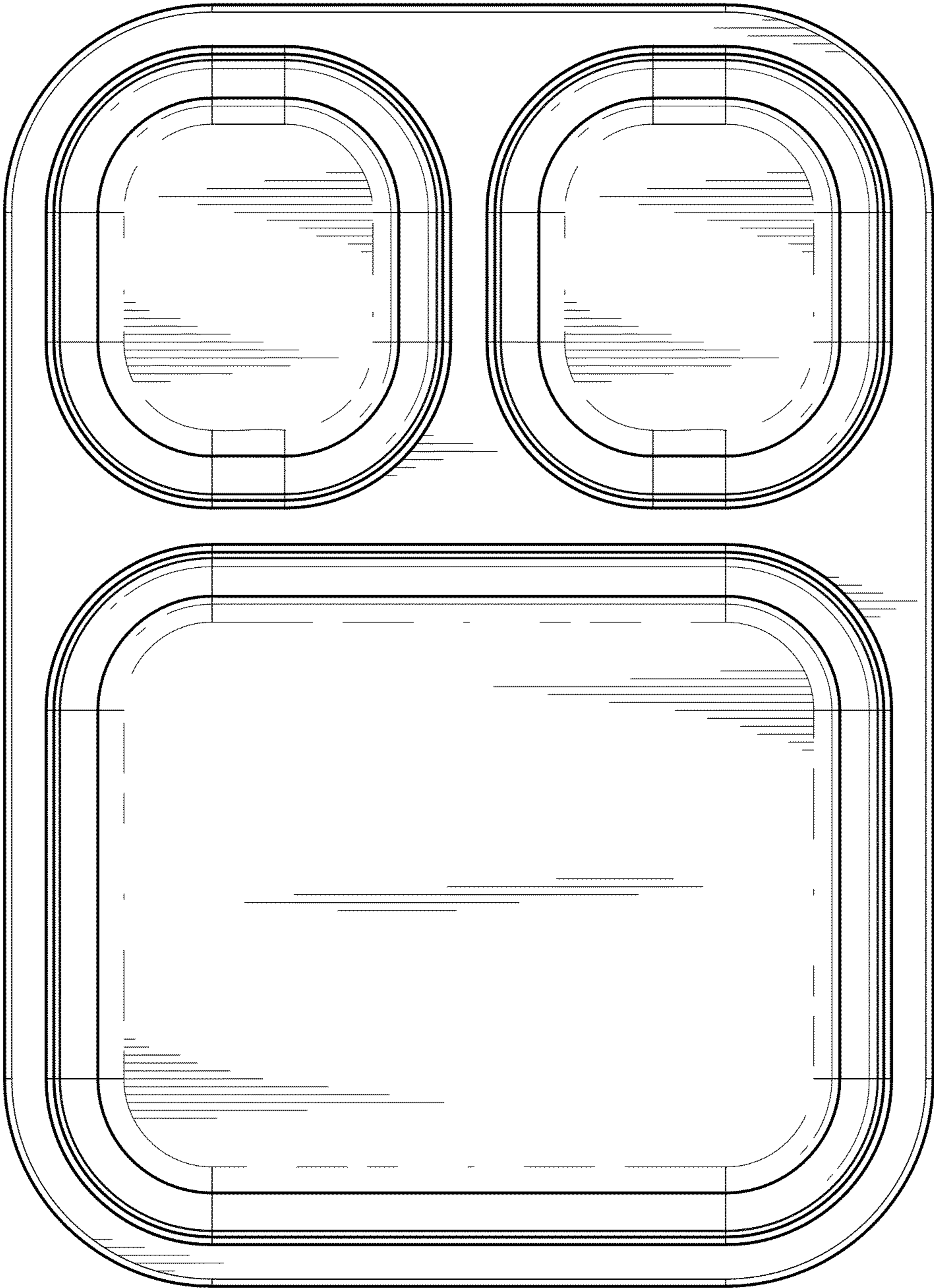


FIG. 13

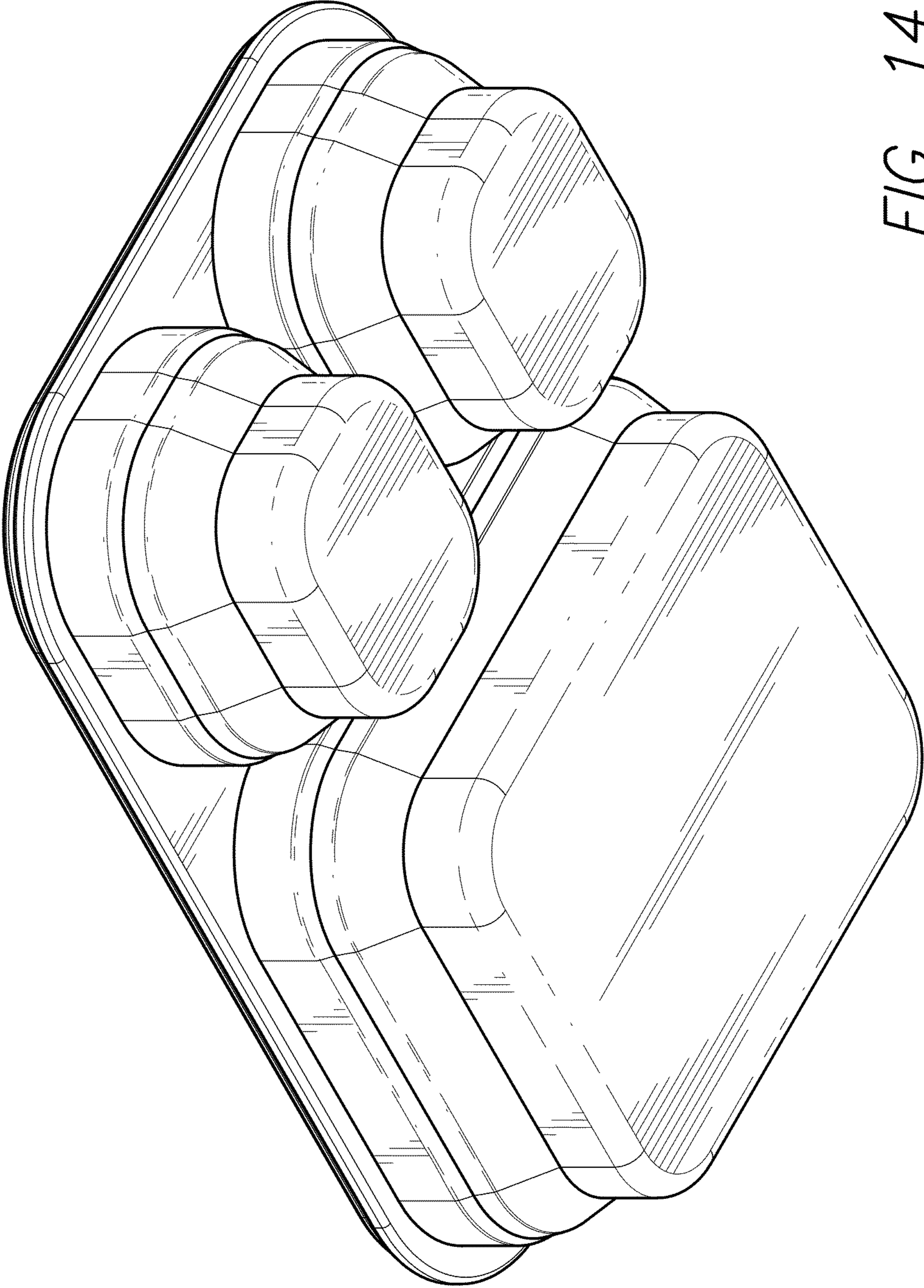


FIG. 14

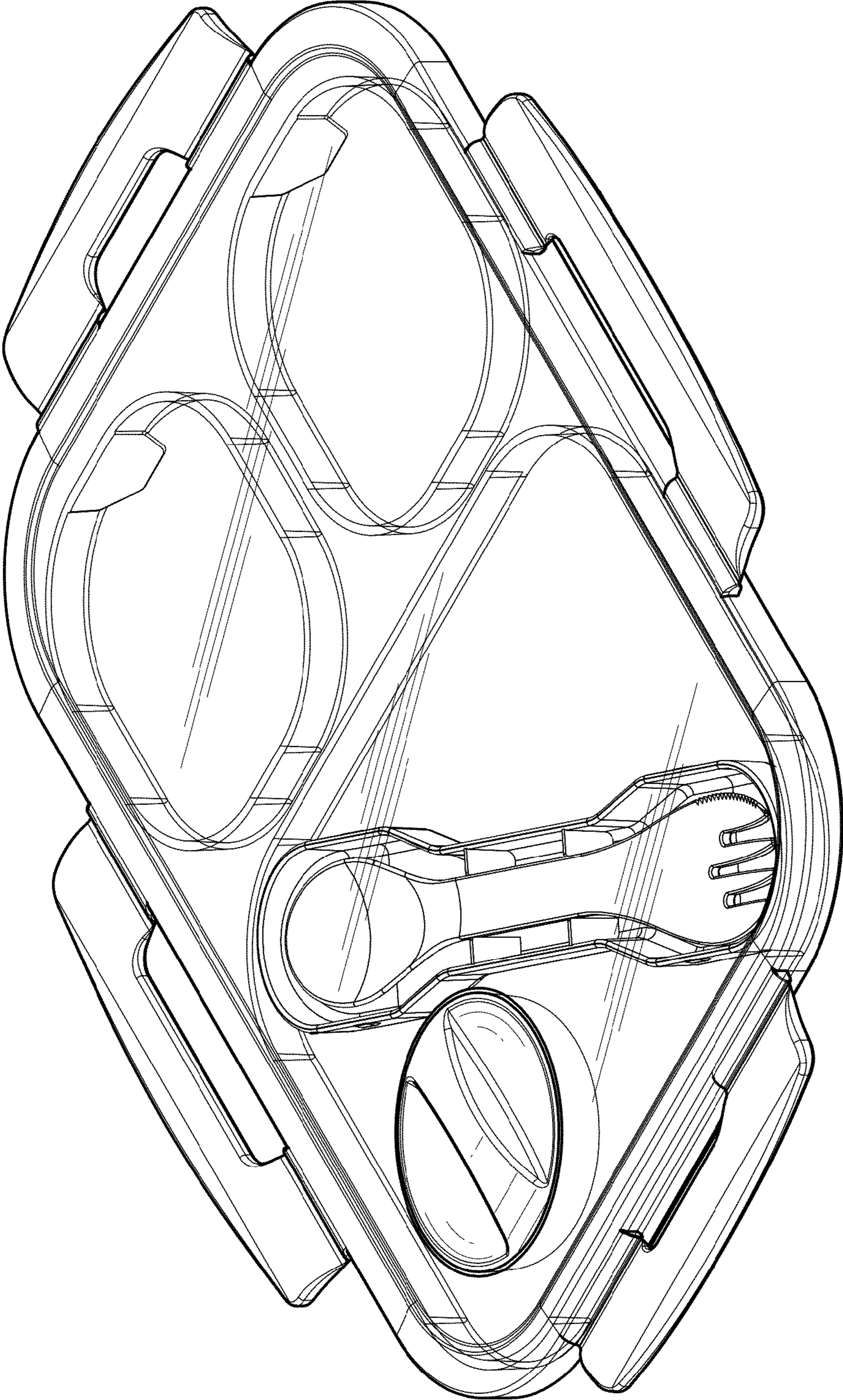


FIG. 15



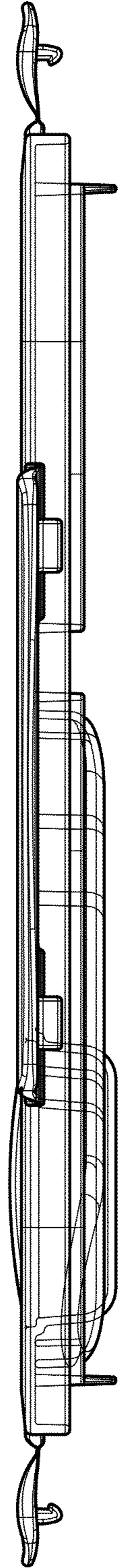


FIG. 16

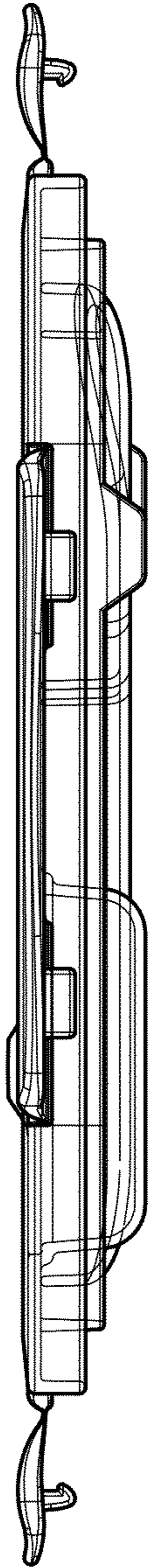


FIG. 17

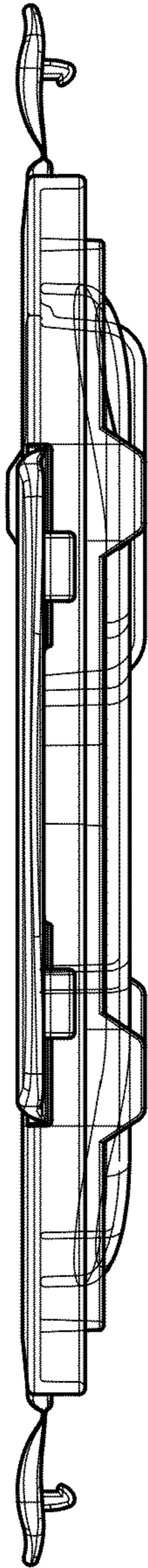


FIG. 18

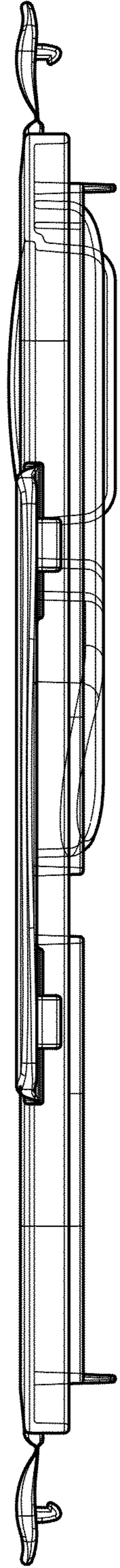


FIG. 19

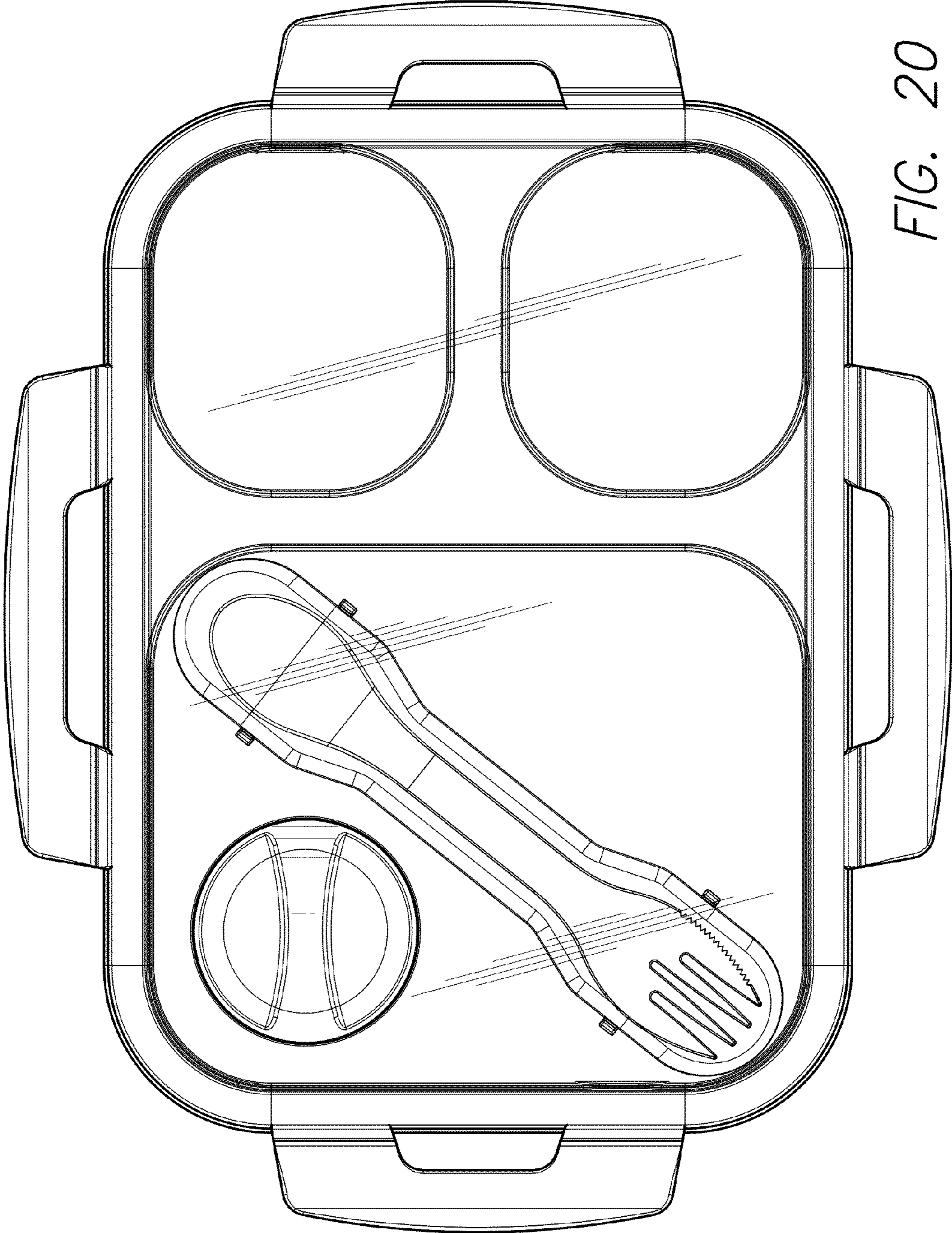


FIG. 20

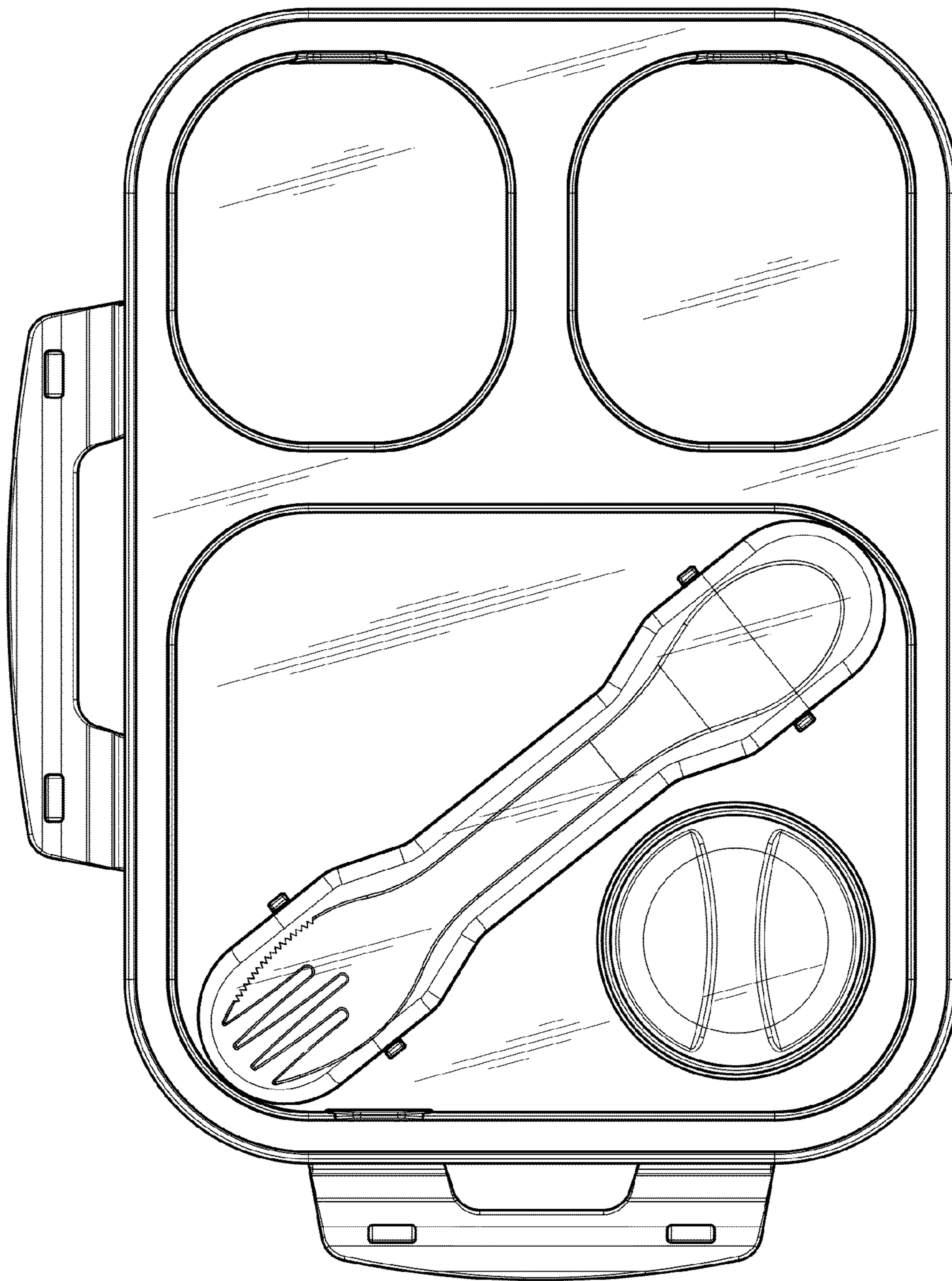


FIG. 21

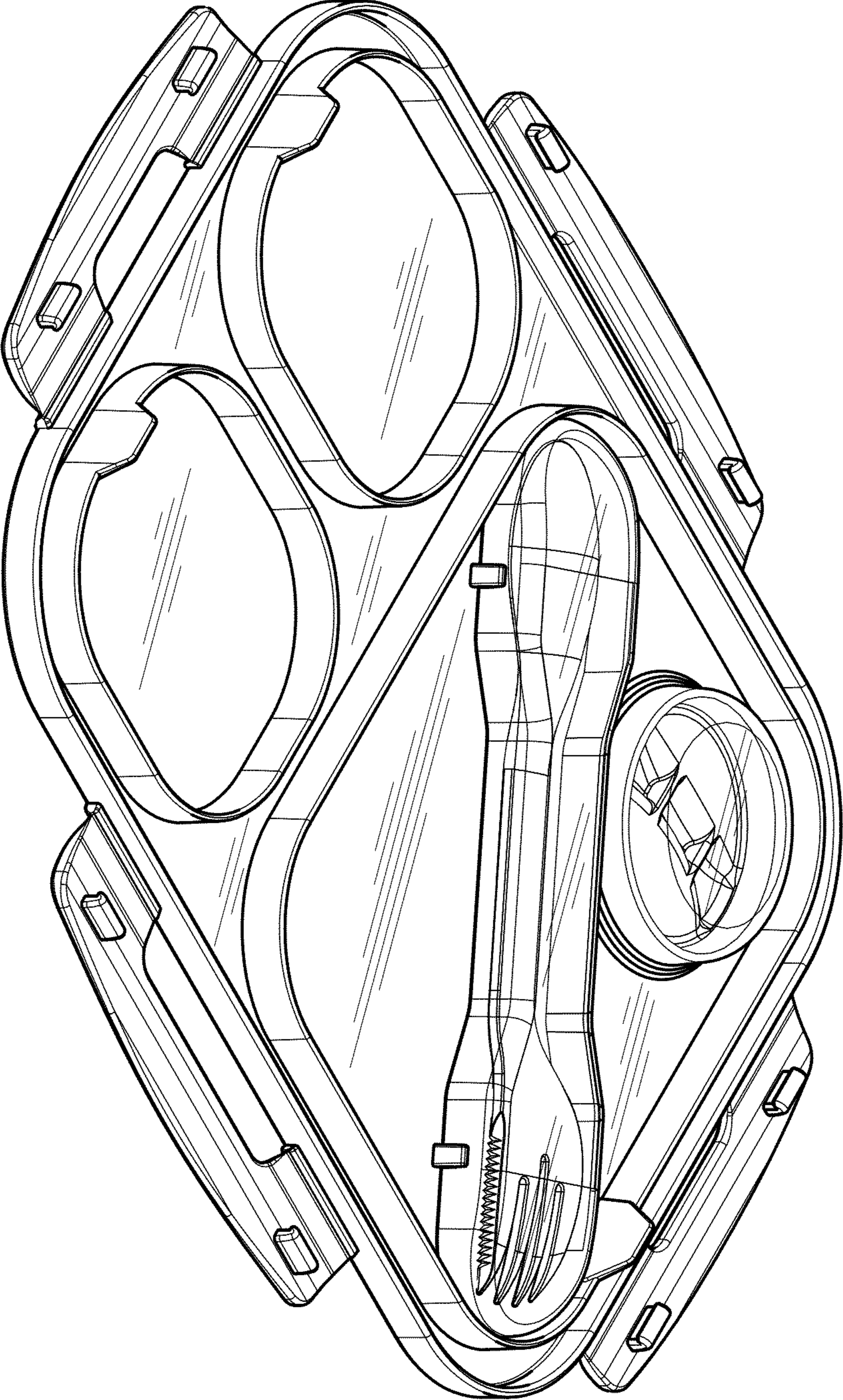


FIG. 22