



US00D695574S

(12) **United States Design Patent**
Min et al.

(10) **Patent No.:** **US D695,574 S**

(45) **Date of Patent:** **** Dec. 17, 2013**

(54) **BOX WITH HANDLES**

(71) Applicants: **Kristen Yoohee Min**, Wauconda, IL
(US); **Jee Yeon Yoo Kim**, Barrington, IL
(US)

(72) Inventors: **Kristen Yoohee Min**, Wauconda, IL
(US); **Jee Yeon Yoo Kim**, Barrington, IL
(US)

(73) Assignee: **Innobaby, LLC**, Barrington, IL (US)

(**) Term: **14 Years**

(21) Appl. No.: **29/421,959**

(22) Filed: **Oct. 31, 2012**

(51) **LOC (9) Cl.** **07-06**

(52) **U.S. Cl.**
USPC **D7/622**

(58) **Field of Classification Search**
USPC D7/619.1-625; 248/311.2;
215/393-396; 220/737-741, 835,
220/710.5; 294/33, 32, 27.1; D9/434, 443;
211/74

See application file for complete search history.

(56) **References Cited**

U.S. PATENT DOCUMENTS

4,986,435 A * 1/1991 Wright 220/737
D318,017 S * 7/1991 Patterson D9/455

D323,620 S * 2/1992 Patterson D9/455
5,150,811 A * 9/1992 Kelston 220/710
5,169,026 A * 12/1992 Patterson 220/740
5,950,857 A * 9/1999 Rosen 220/23.91
7,086,556 B1 * 8/2006 Trulove-Cranor 220/740
D595,995 S * 7/2009 Walton D7/624.1
D639,118 S * 6/2011 Huang D7/624.2

* cited by examiner

Primary Examiner — Terry Wallace

(57) **CLAIM**

The ornamental design for a box with handles, as shown and described.

DESCRIPTION

FIG. 1 is a front perspective view of the box with handles of our design.

FIG. 2 is a front elevation view thereof.

FIG. 3 is a right side elevation view thereof.

FIG. 4 is a rear elevation view thereof.

FIG. 5 is a left side view thereof.

FIG. 6 is a top plan view thereof.

FIG. 7 is a bottom view thereof.

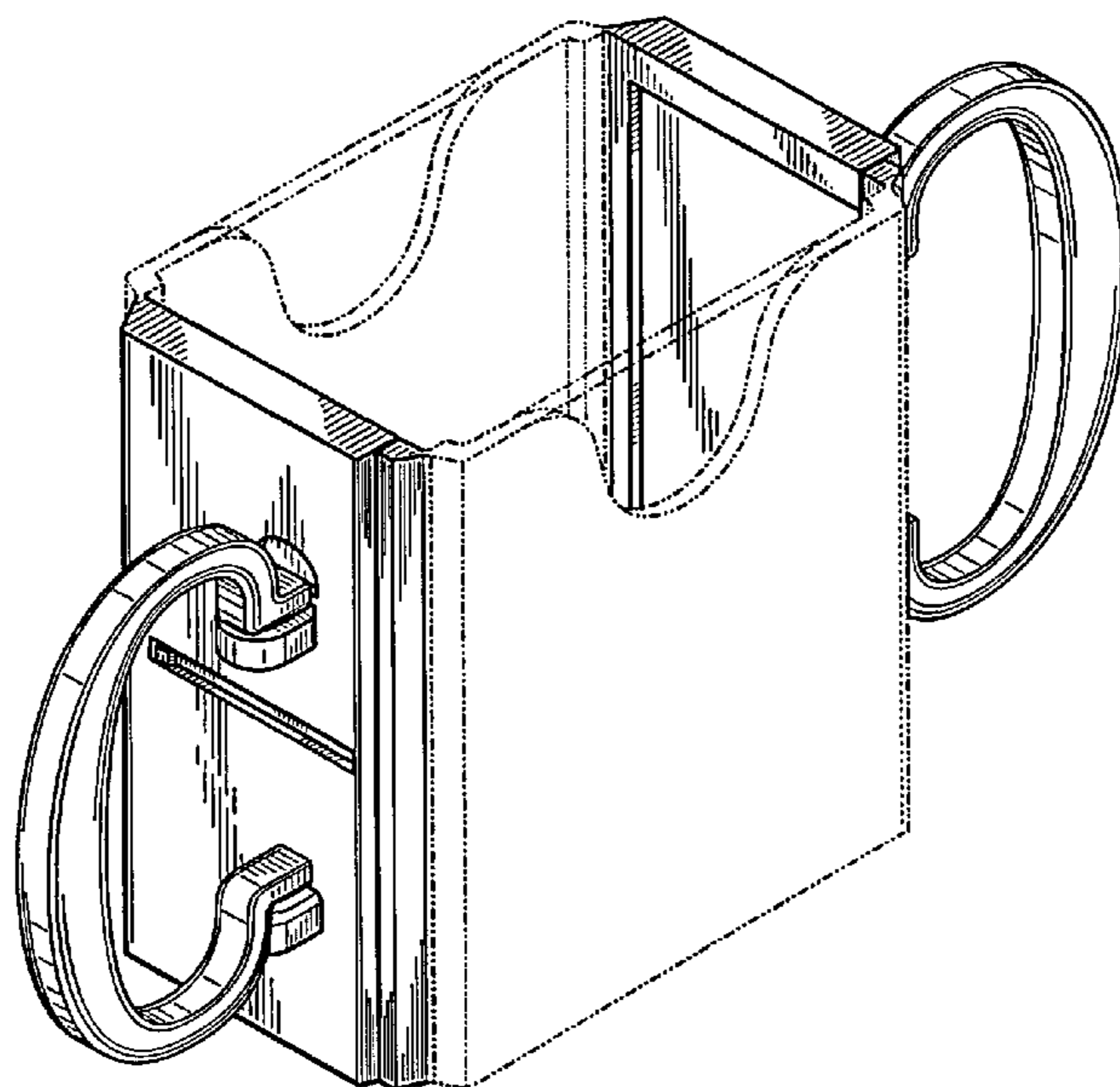
FIG. 8 is a side elevation view of a handle; and,

FIG. 9 is a side elevation view of a handle attached to a wall.

The broken line showings of the front and rear surfaces of the box with handles is for illustrative purposes only to show environment and form no part of the claimed design. No specific color for the box with handles is claimed.

The handles are shown broken away for clarity of illustration.

1 Claim, 4 Drawing Sheets



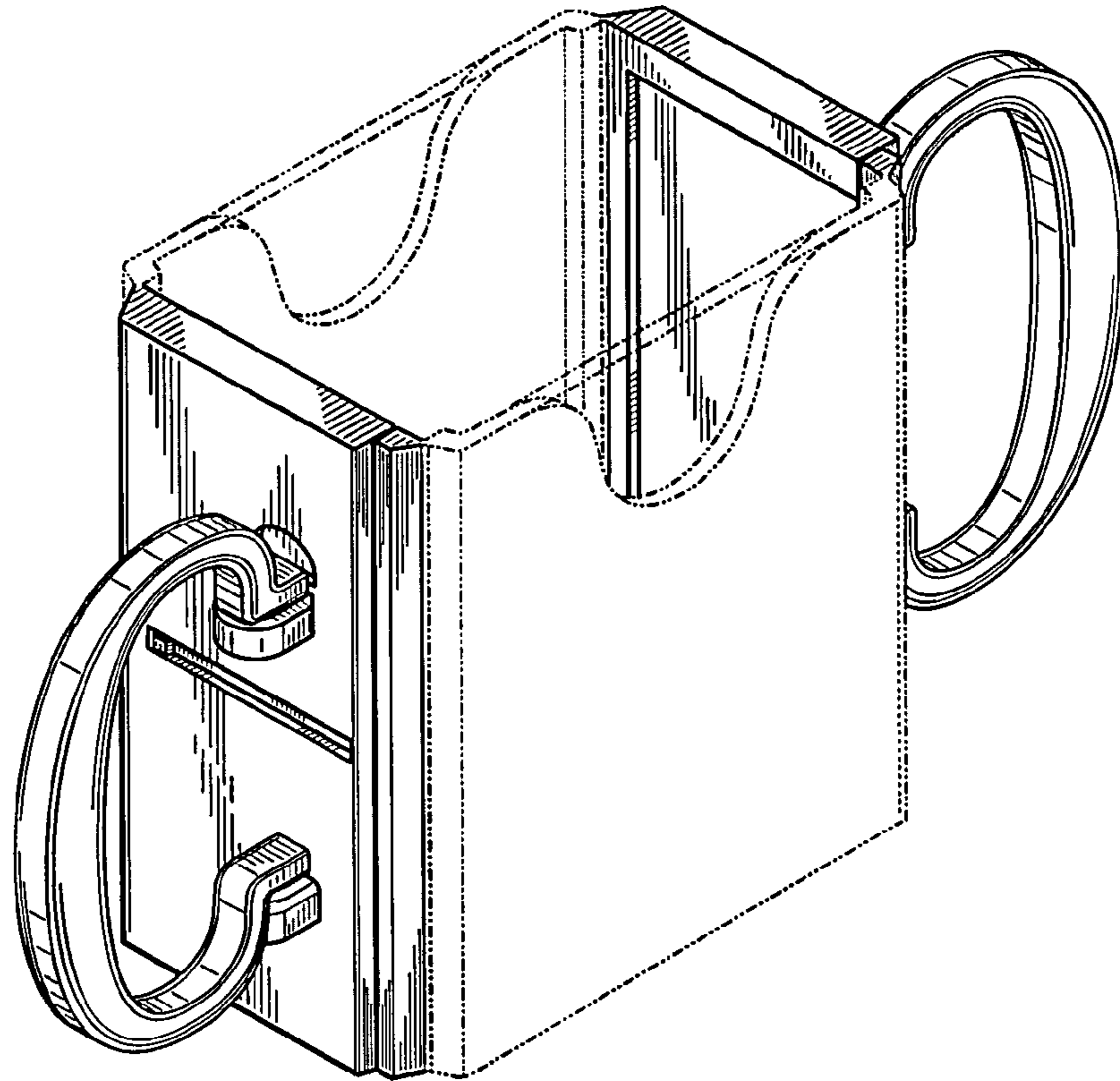


FIG. 1

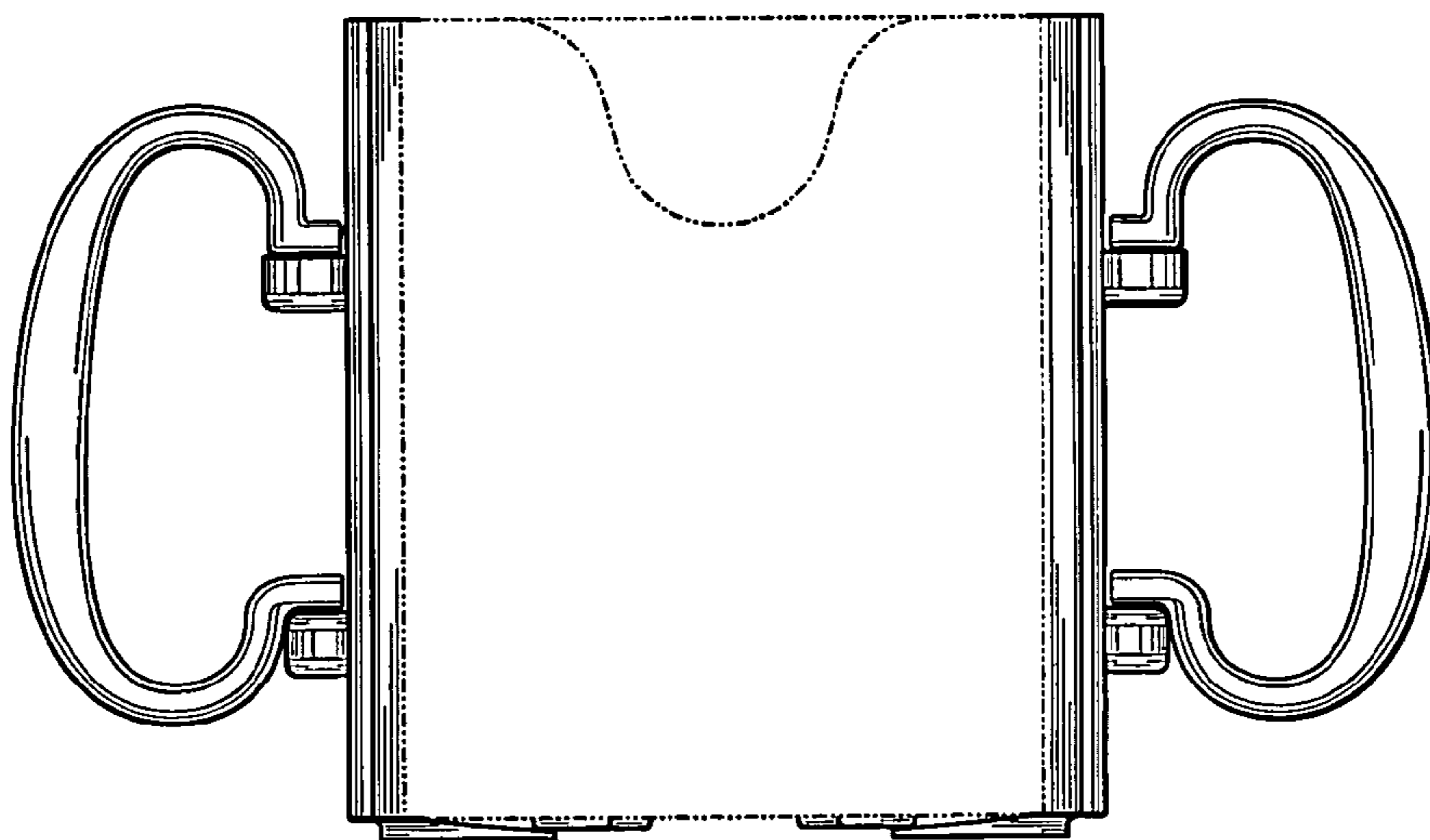


FIG. 2

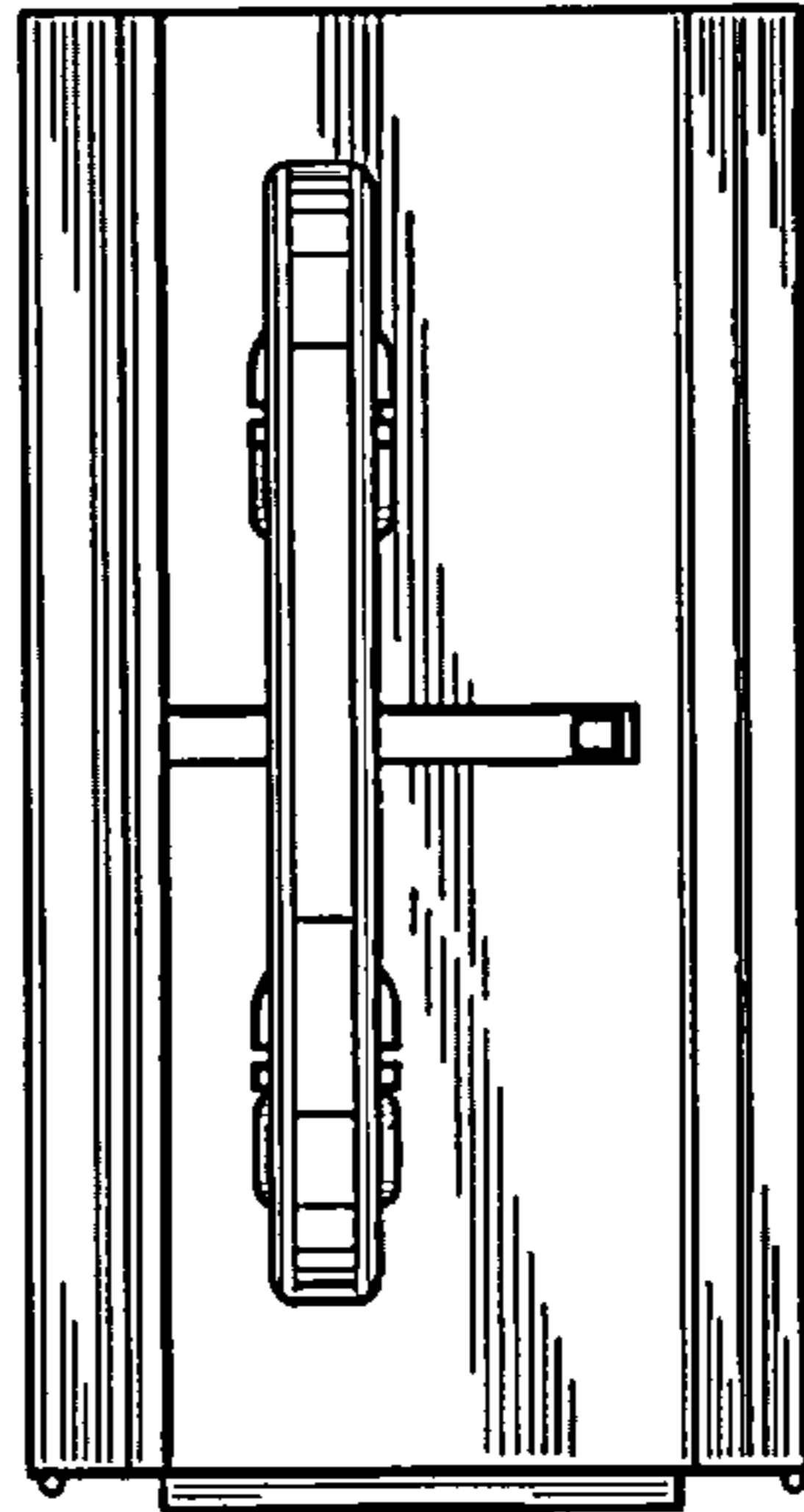


FIG. 3

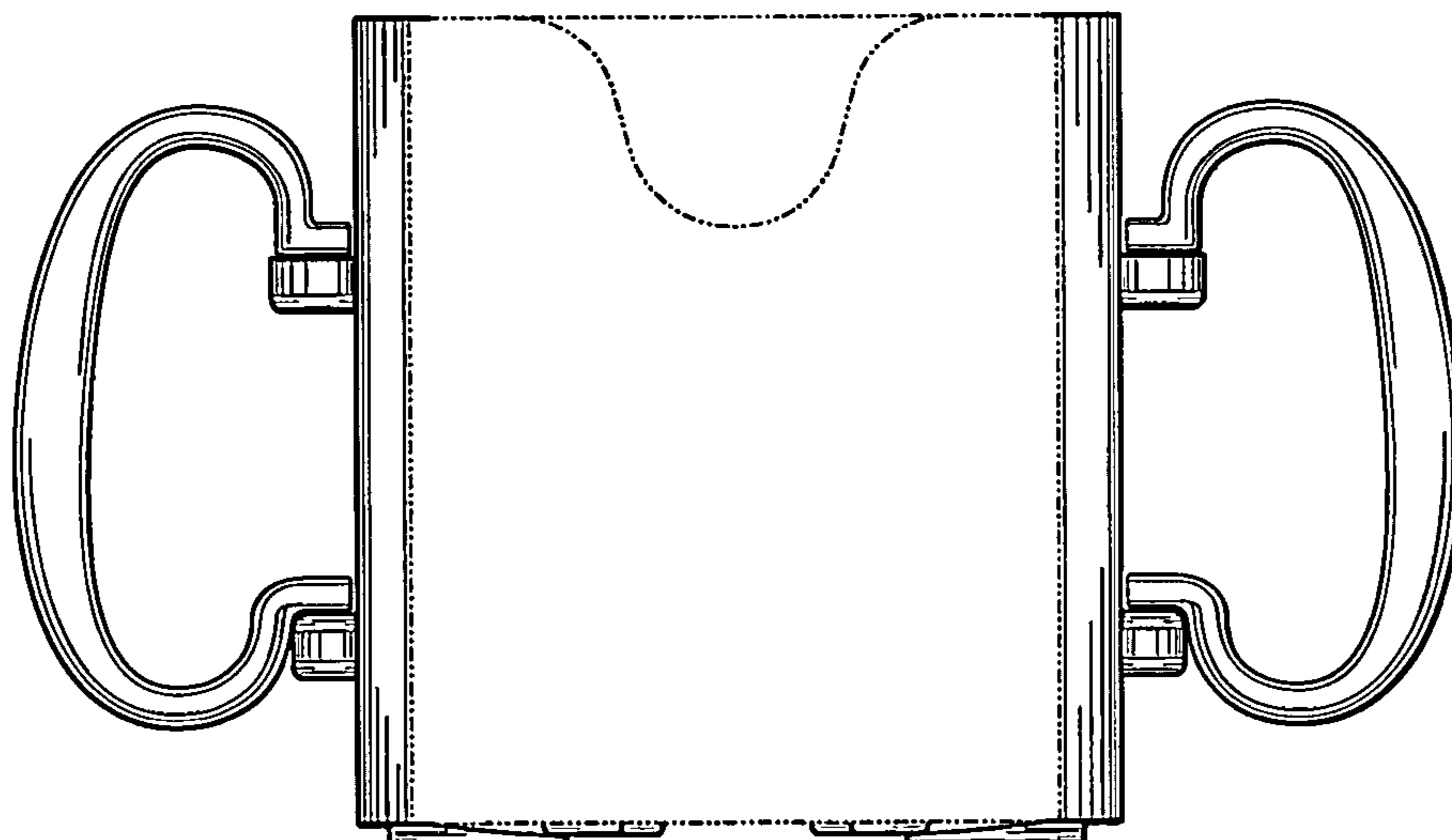


FIG. 4

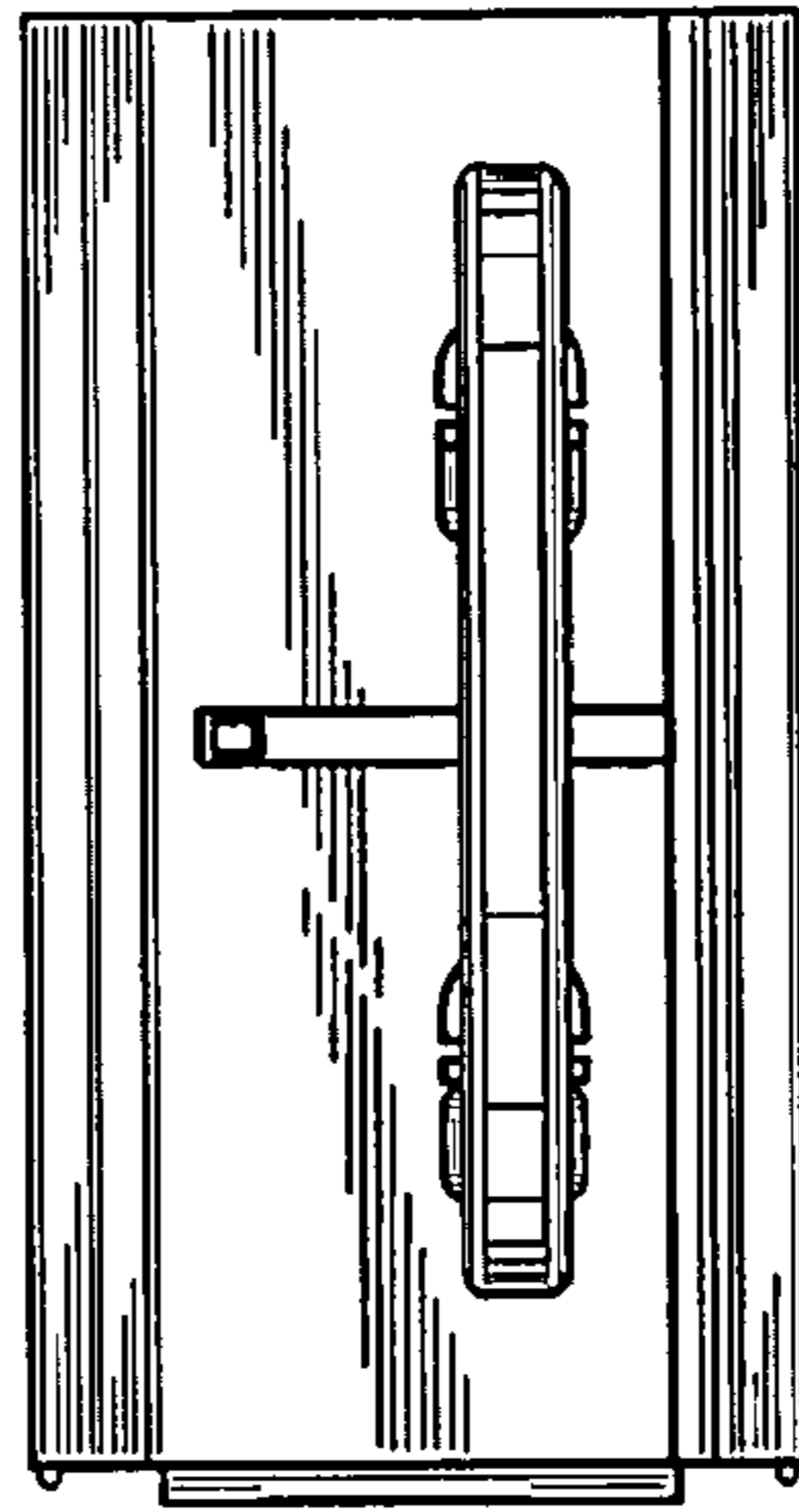


FIG. 5

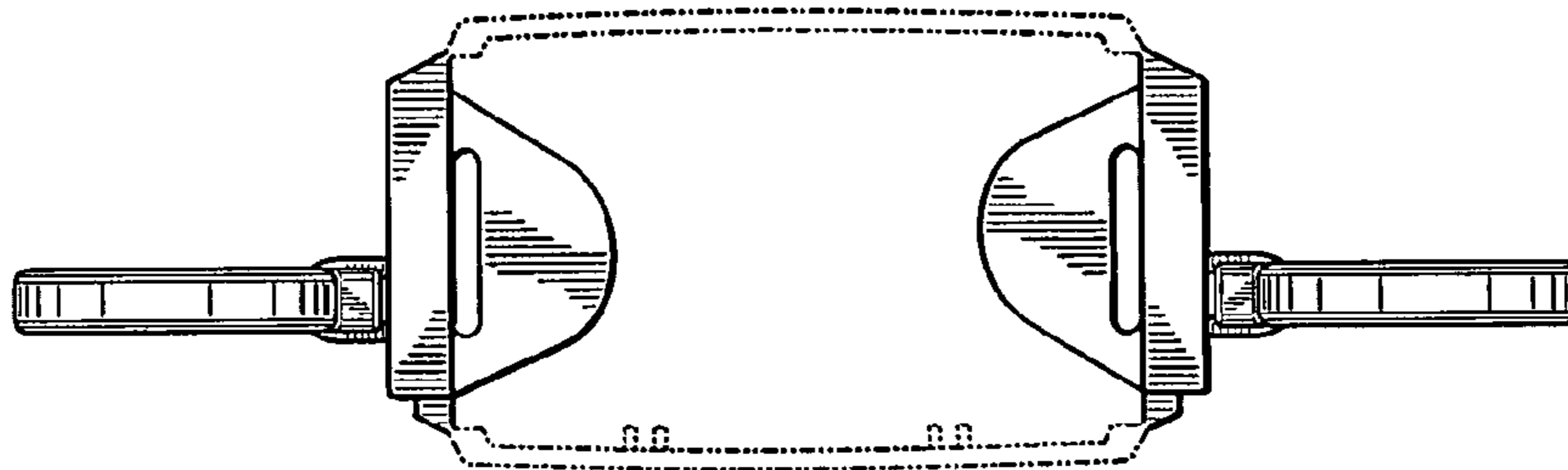


FIG. 6

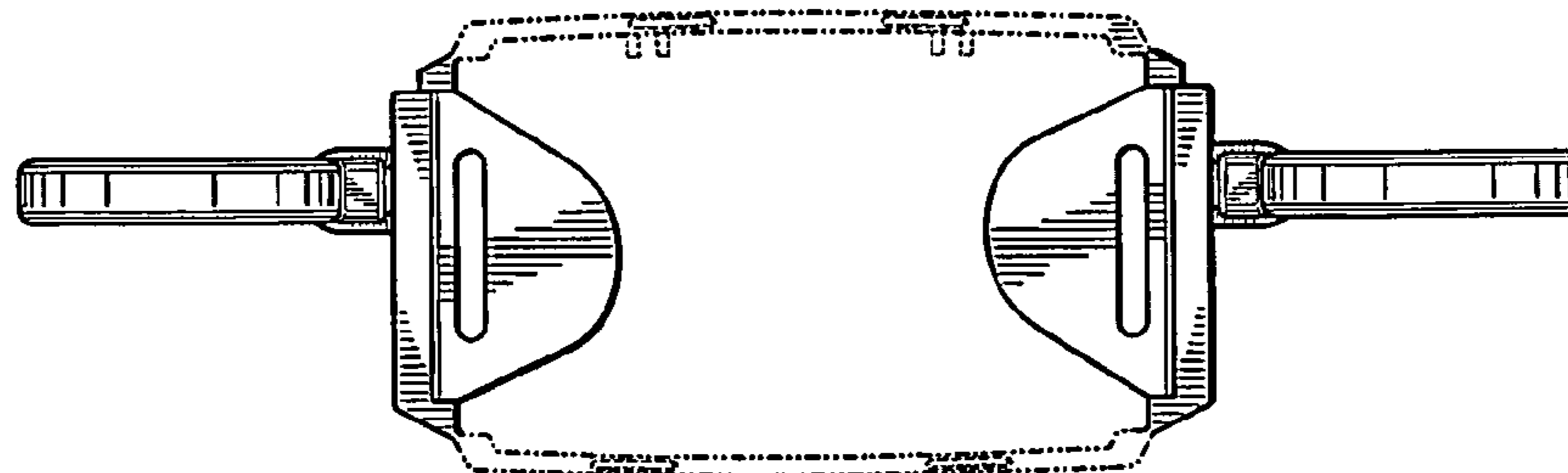


FIG. 7

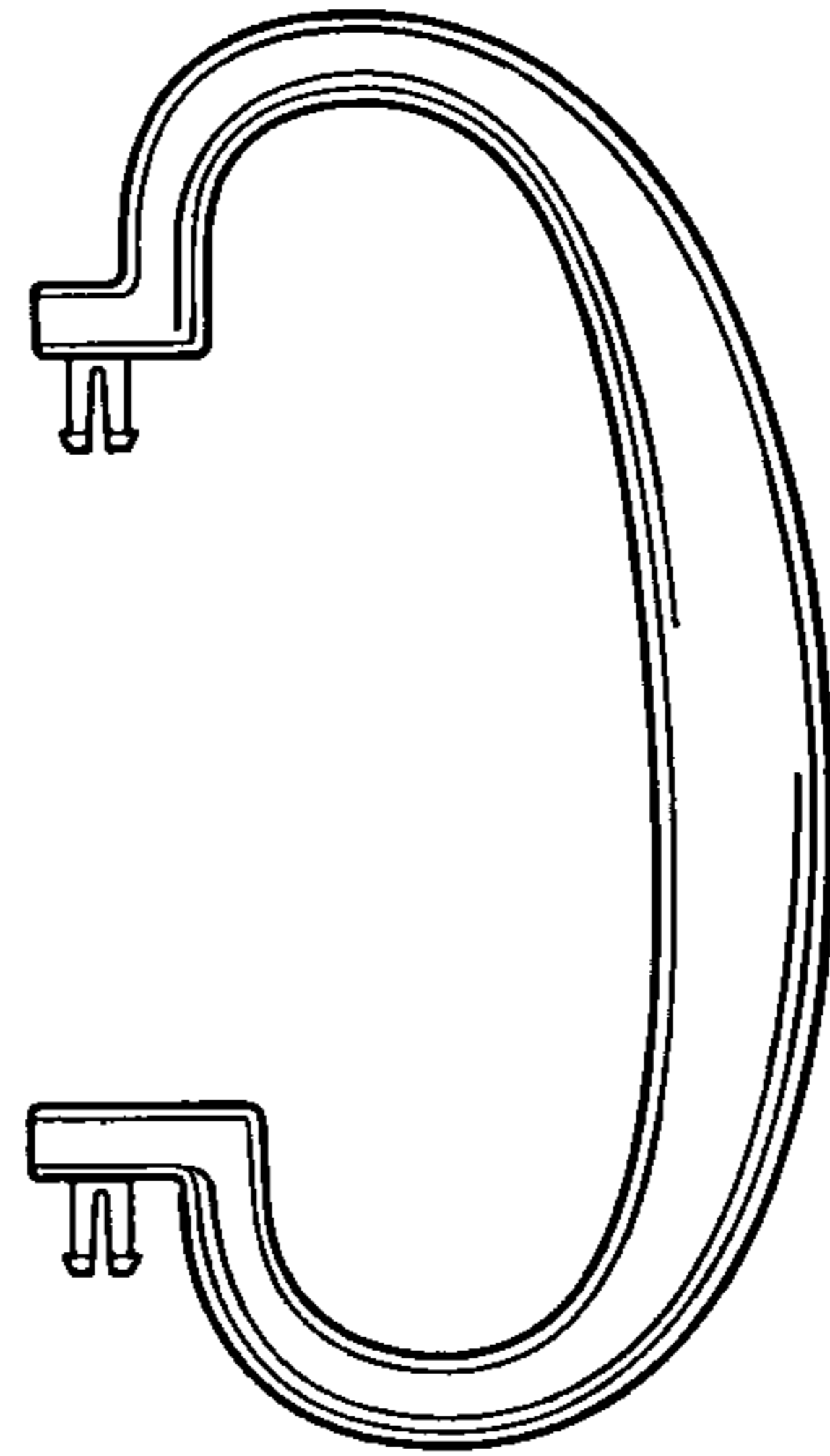


FIG. 8

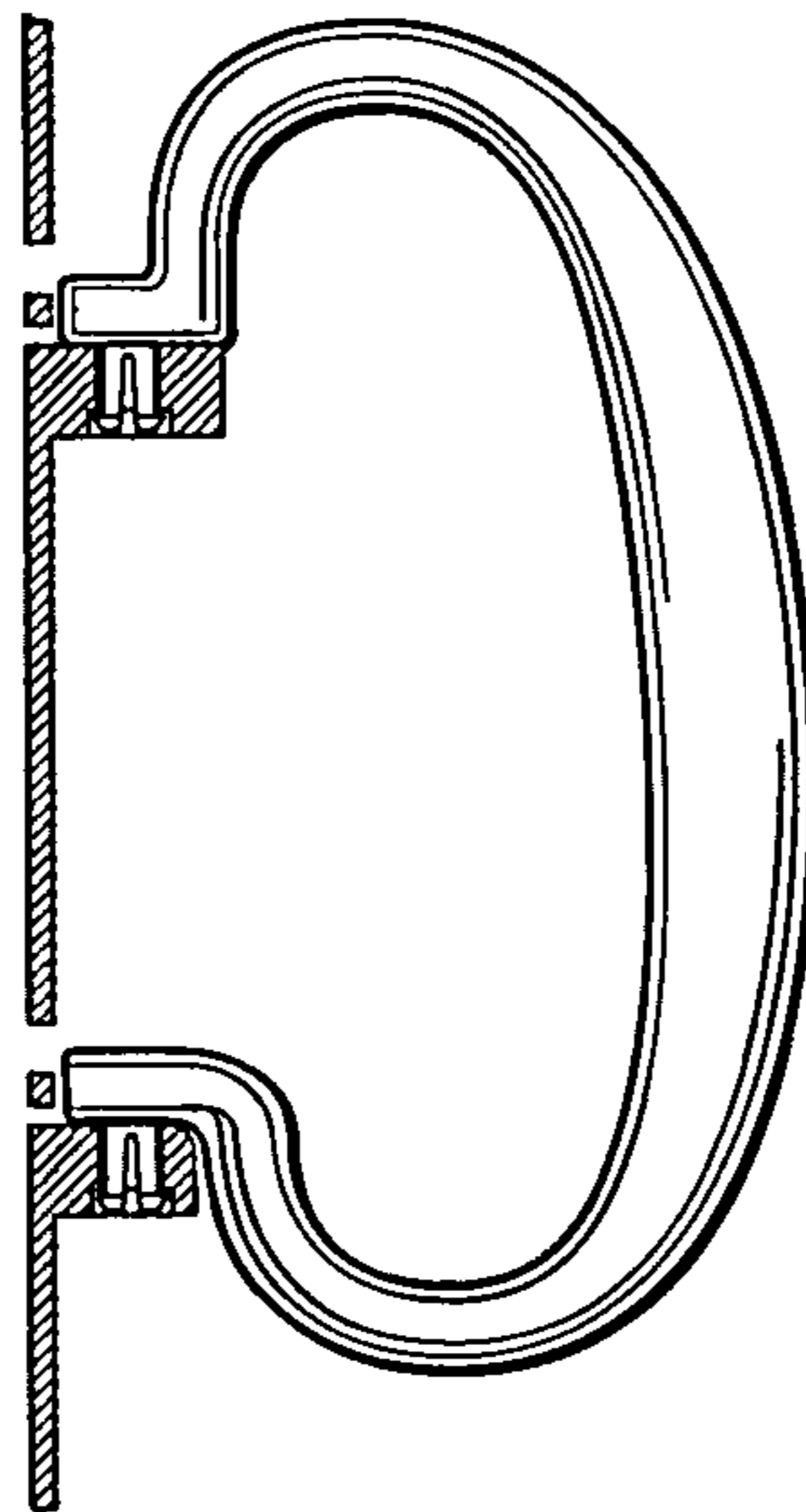


FIG. 9