



US00D695560S

(12) **United States Design Patent**  
**Cahen**

(10) **Patent No.:** **US D695,560 S**

(45) **Date of Patent:** **\*\* Dec. 17, 2013**

(54) **COFFEE MACHINE**

(56) **References Cited**

(71) Applicant: **Societe des Produits Nestle S.A., Vevey**  
(CH)

U.S. PATENT DOCUMENTS

(72) Inventor: **Antoine Cahen**, Lausanne (CH)

D461,358 S *	8/2002	Cahen	.....	D7/309
D596,442 S *	7/2009	Cahen	.....	D7/309
D600,967 S *	9/2009	Cahen	.....	D7/309
D602,303 S *	10/2009	Cahen	.....	D7/309
D644,058 S *	8/2011	Cahen	.....	D7/309
D666,051 S *	8/2012	de Pra	.....	D7/309
D667,251 S *	9/2012	Cahen	.....	D7/309
D672,187 S *	12/2012	Milewski et al.	.....	D7/306
D674,233 S *	1/2013	Lavy et al.	.....	D7/309

(73) Assignee: **Societe des Produits Nestle S.A., Vevey**  
(CH)

(\*\*) Term: **14 Years**

\* cited by examiner

(21) Appl. No.: **29/460,532**

*Primary Examiner* — Marianne Pandozzi

(22) Filed: **Jul. 11, 2013**

(74) *Attorney, Agent, or Firm* — K&L Gates LLP

**Related U.S. Application Data**

(62) Division of application No. 29/415,767, filed on Mar. 14, 2012, now Pat. No. Des. 690,150.

(51) **LOC (9) Cl.** ..... **07-01**

(52) **U.S. Cl.**  
USPC ..... **D7/309; D7/311**

(58) **Field of Classification Search**  
USPC ..... D7/300, 309–311, 306–308, 313;  
99/295, 323.2, 290; 222/144.5, 185.1

See application file for complete search history.

(57) **CLAIM**

The ornamental design for a coffee machine, as shown and described.

**DESCRIPTION**

FIG. 1 illustrates a front perspective view of the coffee machine showing my new design in a second embodiment, wherein the broken line showings of the bottle are for illustrative purposes only and form no part of the claimed design; FIG. 2 illustrates a front elevation view thereof; FIG. 3 illustrates a rear elevation view thereof; FIG. 4 illustrates a left side elevation view thereof; FIG. 5 illustrates a right side elevation view thereof; FIG. 6 illustrates a top view thereof; and, FIG. 7 illustrates a bottom view thereof.

**1 Claim, 7 Drawing Sheets**

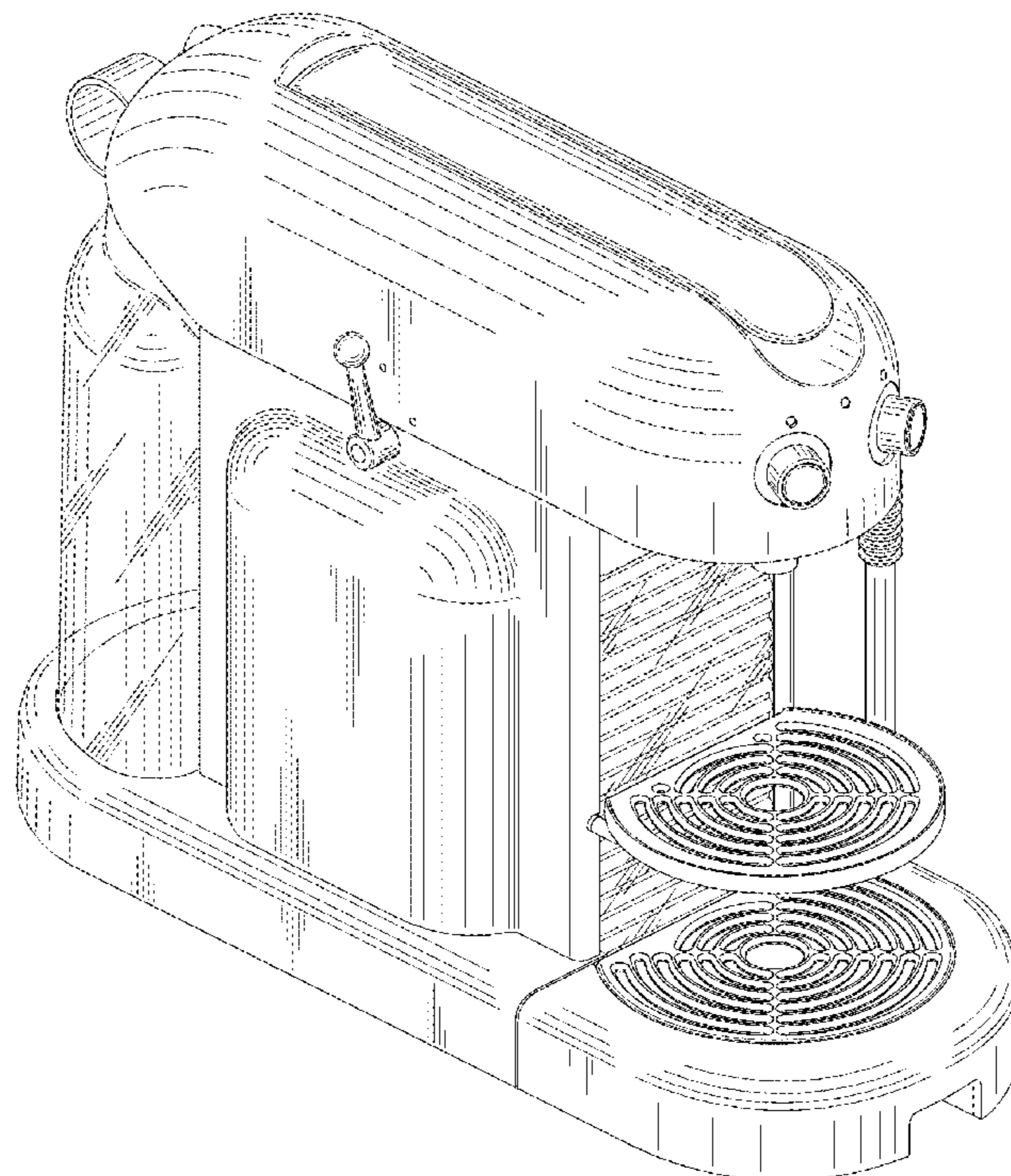


FIG. 1

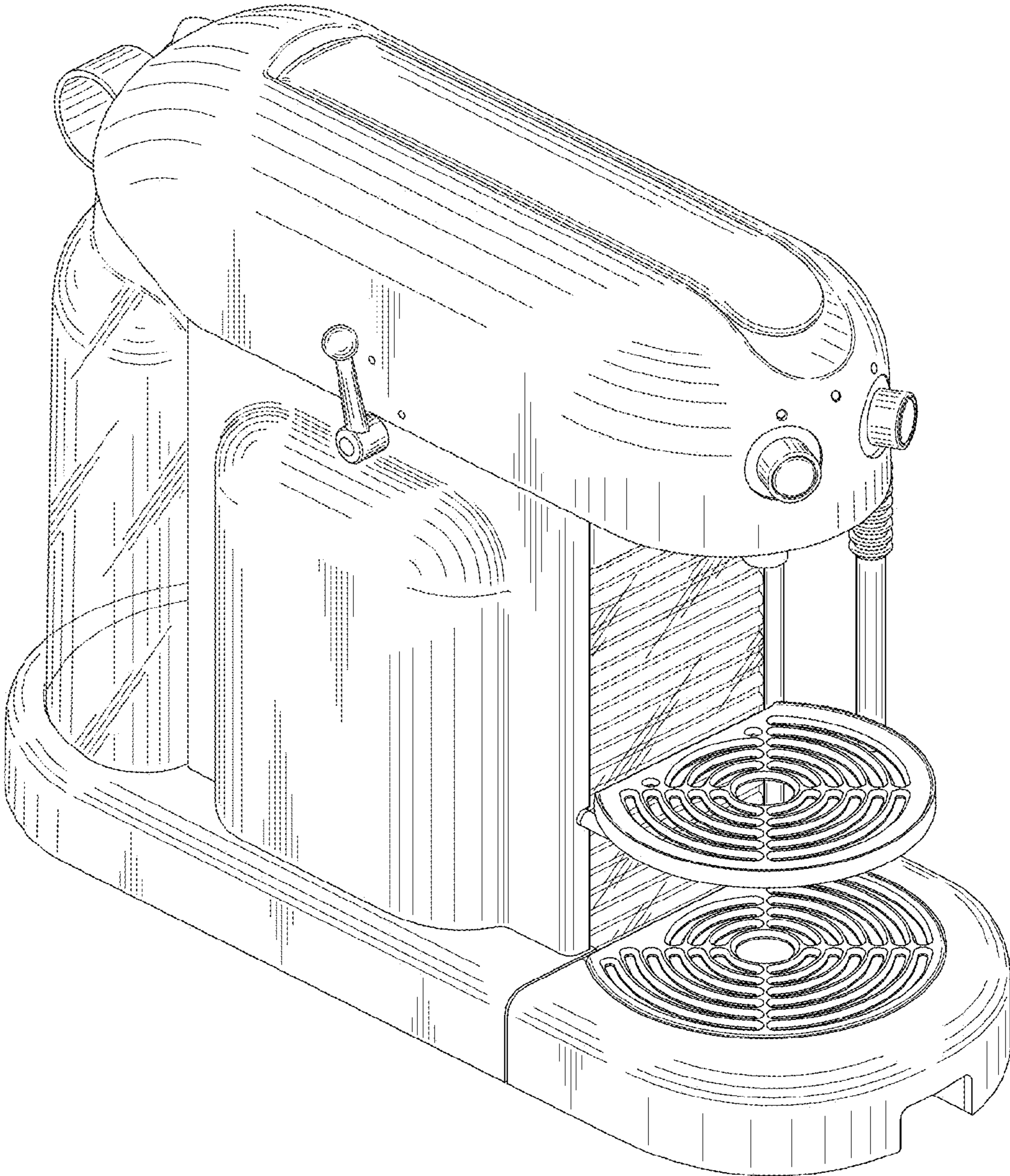


FIG. 2

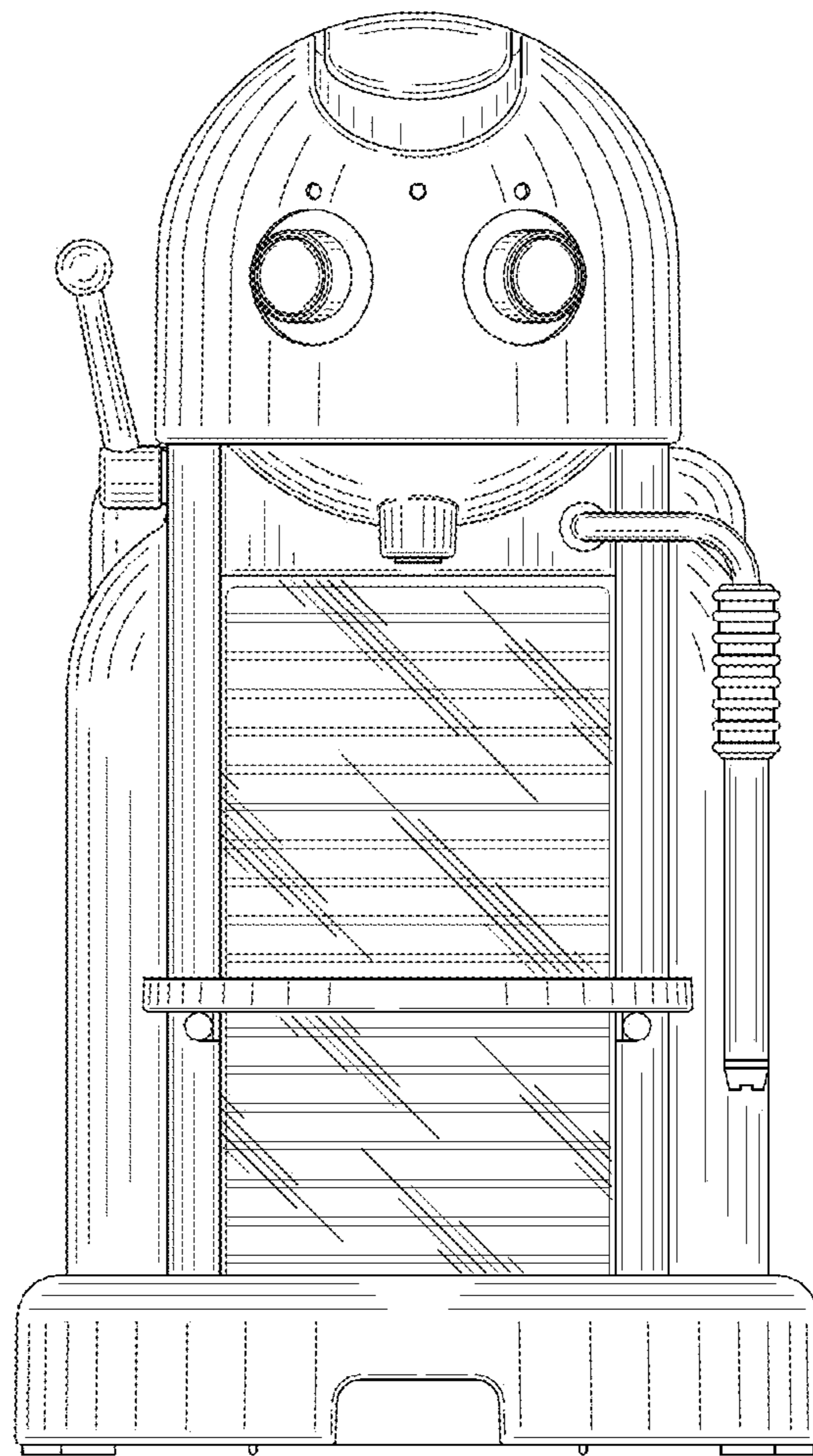


FIG. 3

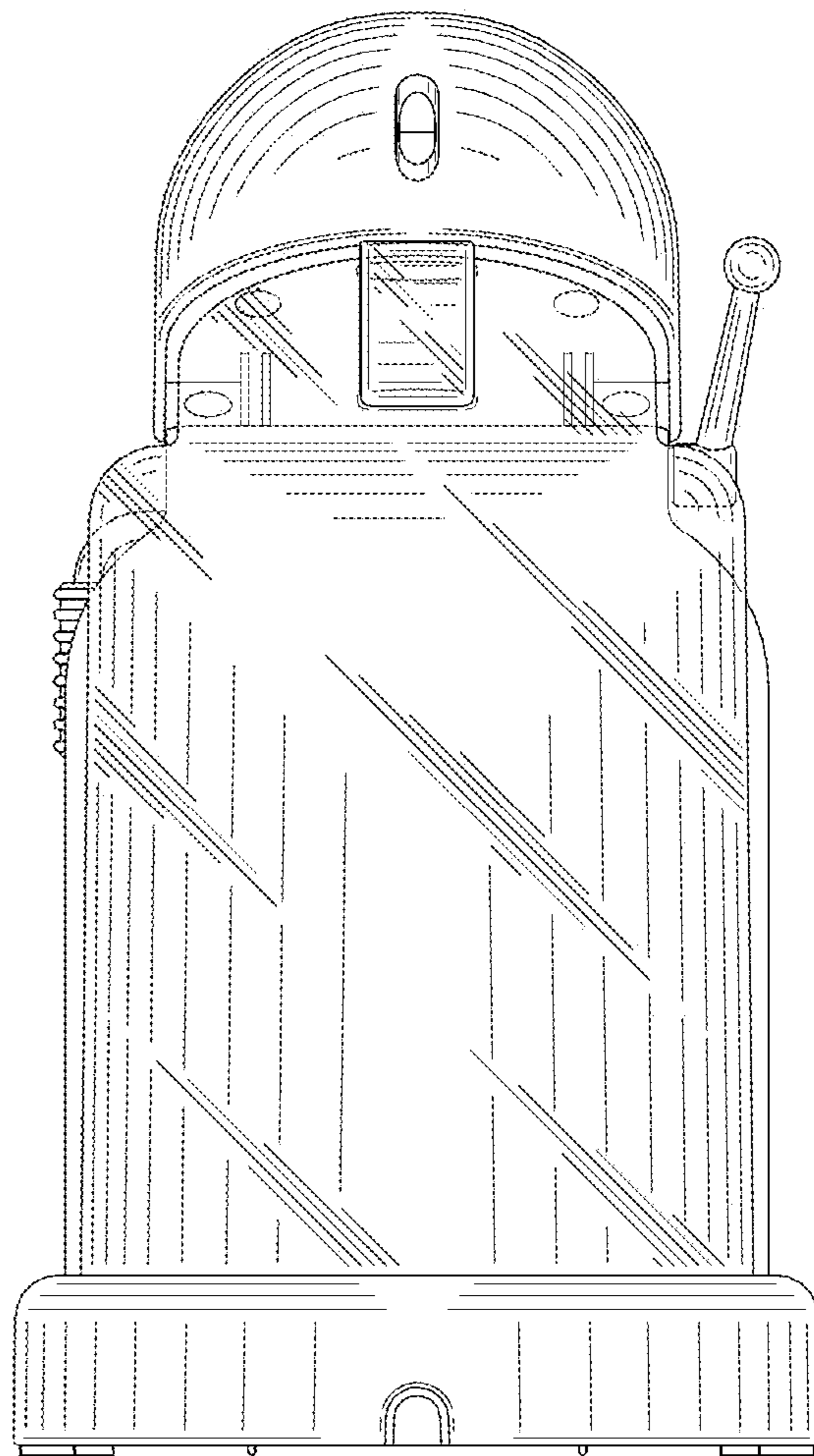


FIG. 4

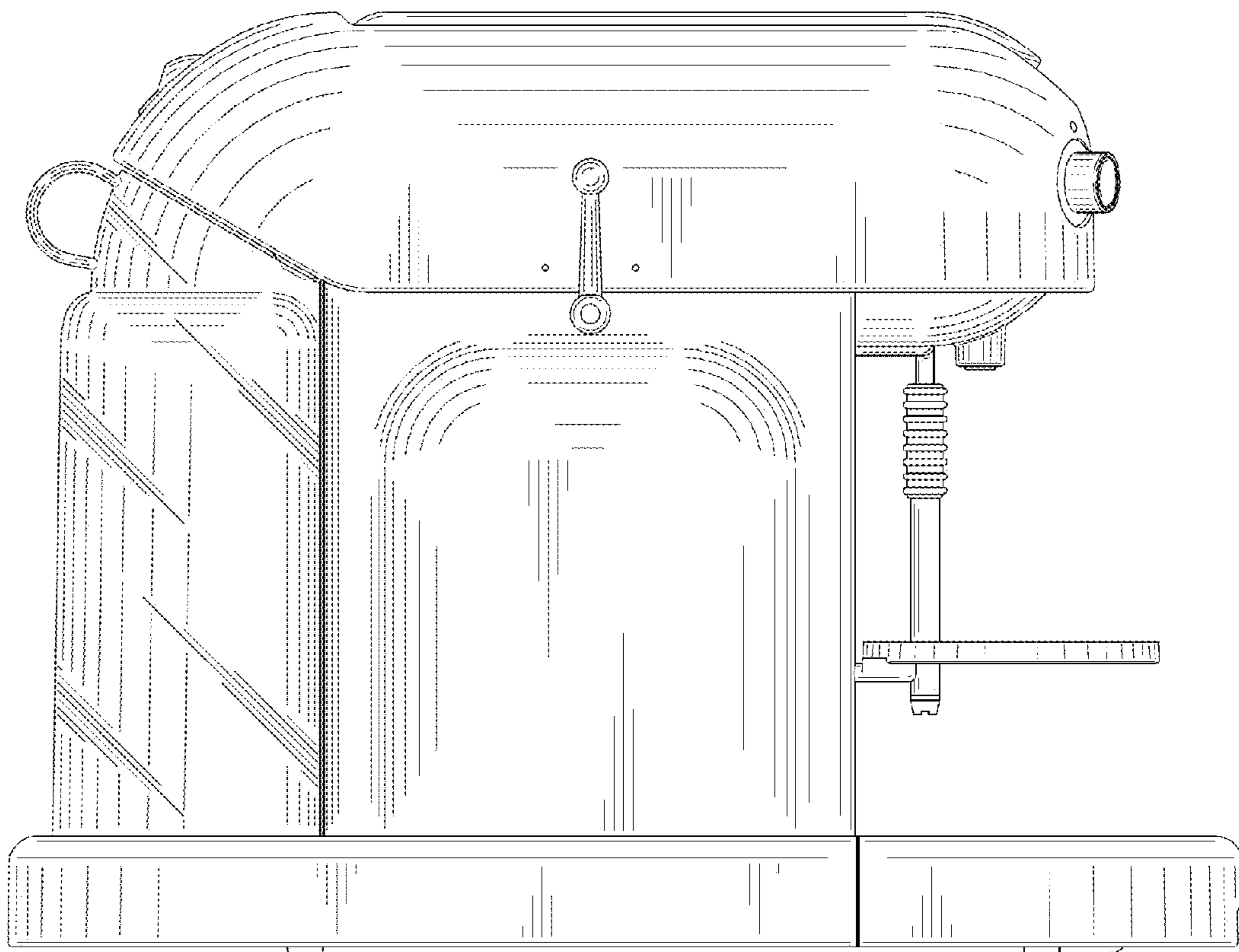


FIG. 5

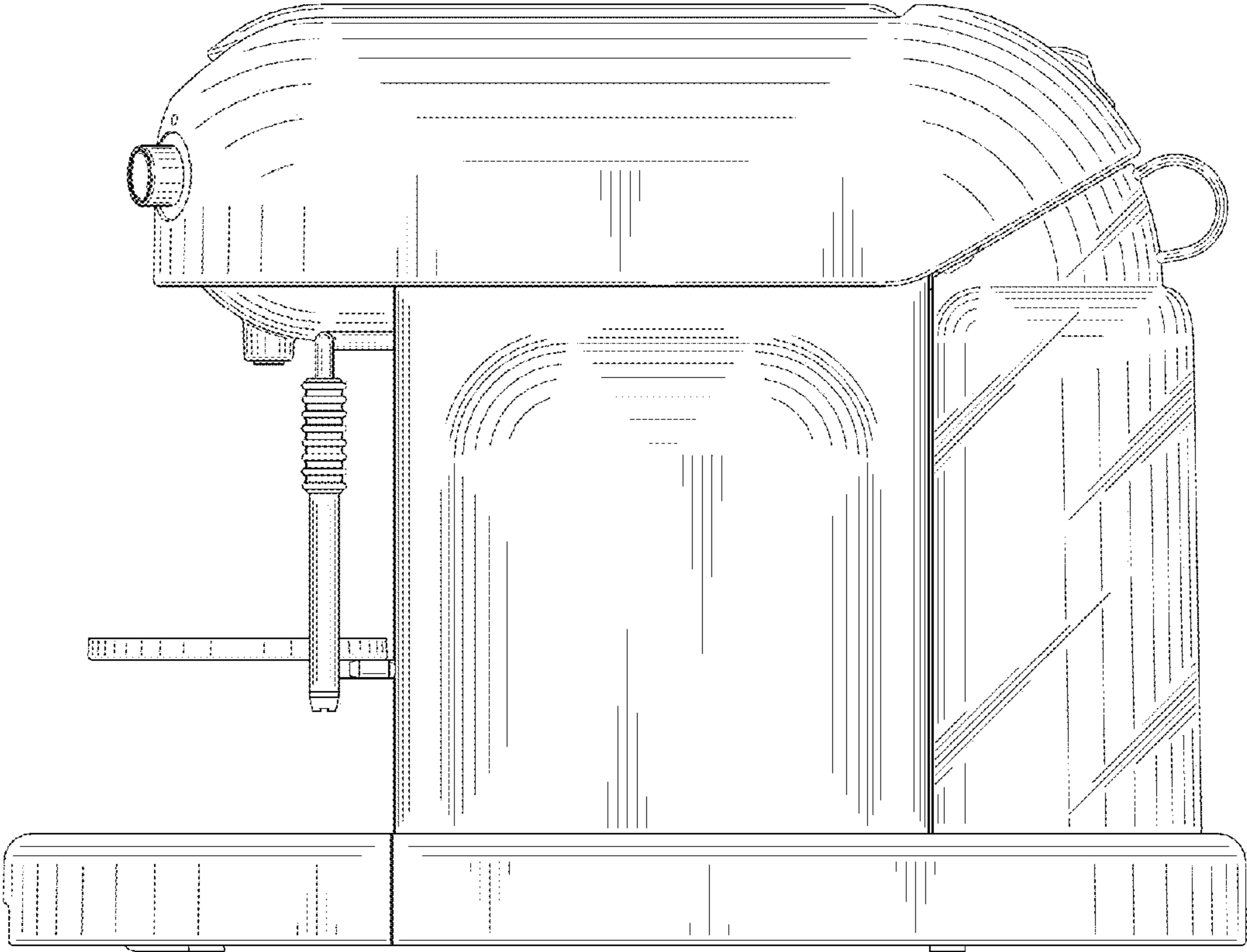


FIG. 6

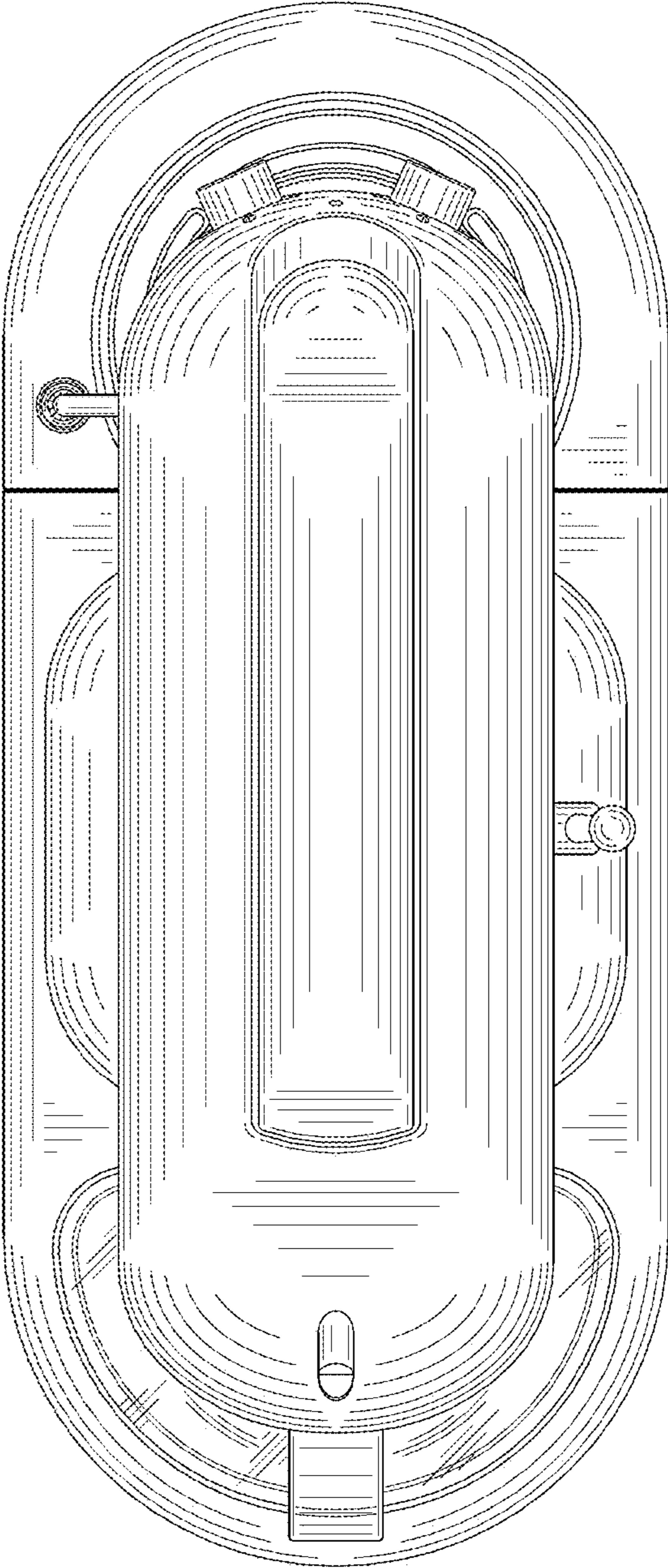


FIG. 7

