

US00D695559S

(12) **United States Design Patent**
De Prà

(10) **Patent No.:** **US D695,559 S**

(45) **Date of Patent:** **** Dec. 17, 2013**

(54) **COFFEE MAKER**

(75) Inventor: **Dario De Prà**, Mirano (IT)

(73) Assignee: **Koninklijke Philips N.V.**, Eindhoven (NL)

(**) Term: **14 Years**

(21) Appl. No.: **29/426,280**

(22) Filed: **Jul. 3, 2012**

(30) **Foreign Application Priority Data**

Jan. 3, 2012 (EM) 001970906-0002

(51) **LOC (9) Cl.** **07-01**

(52) **U.S. Cl.**
USPC **D7/309; D7/311**

(58) **Field of Classification Search**
USPC D7/309-311, 300, 305, 306, 313;
99/279, 284, 290, 275, 295, 293
See application file for complete search history.

(56) **References Cited**

U.S. PATENT DOCUMENTS

D337,475 S * 7/1993 Seiffert D7/309
5,855,162 A * 1/1999 Bauer et al. 99/290

D431,750 S * 10/2000 Cahen D7/309
D431,751 S * 10/2000 Cahen D7/309
D449,198 S * 10/2001 Cahen D7/309
D510,675 S * 10/2005 Ball D7/306
D581,717 S * 12/2008 Parker et al. D7/309
D590,651 S * 4/2009 O'Loughlin D7/309
D593,356 S * 6/2009 Grassia D7/309
D597,781 S * 8/2009 Siu D7/309
D626,368 S * 11/2010 De Pra' D7/309
7,946,219 B2 * 5/2011 Marconi 99/323.1
D640,083 S * 6/2011 Davenport D7/309
D658,423 S * 5/2012 Curtis et al. D7/309
D675,859 S * 2/2013 De Pra D7/309
D678,718 S * 3/2013 Grassia D7/399
D686,033 S * 7/2013 Burton et al. D7/306

* cited by examiner

Primary Examiner — Marianne Pandozzi

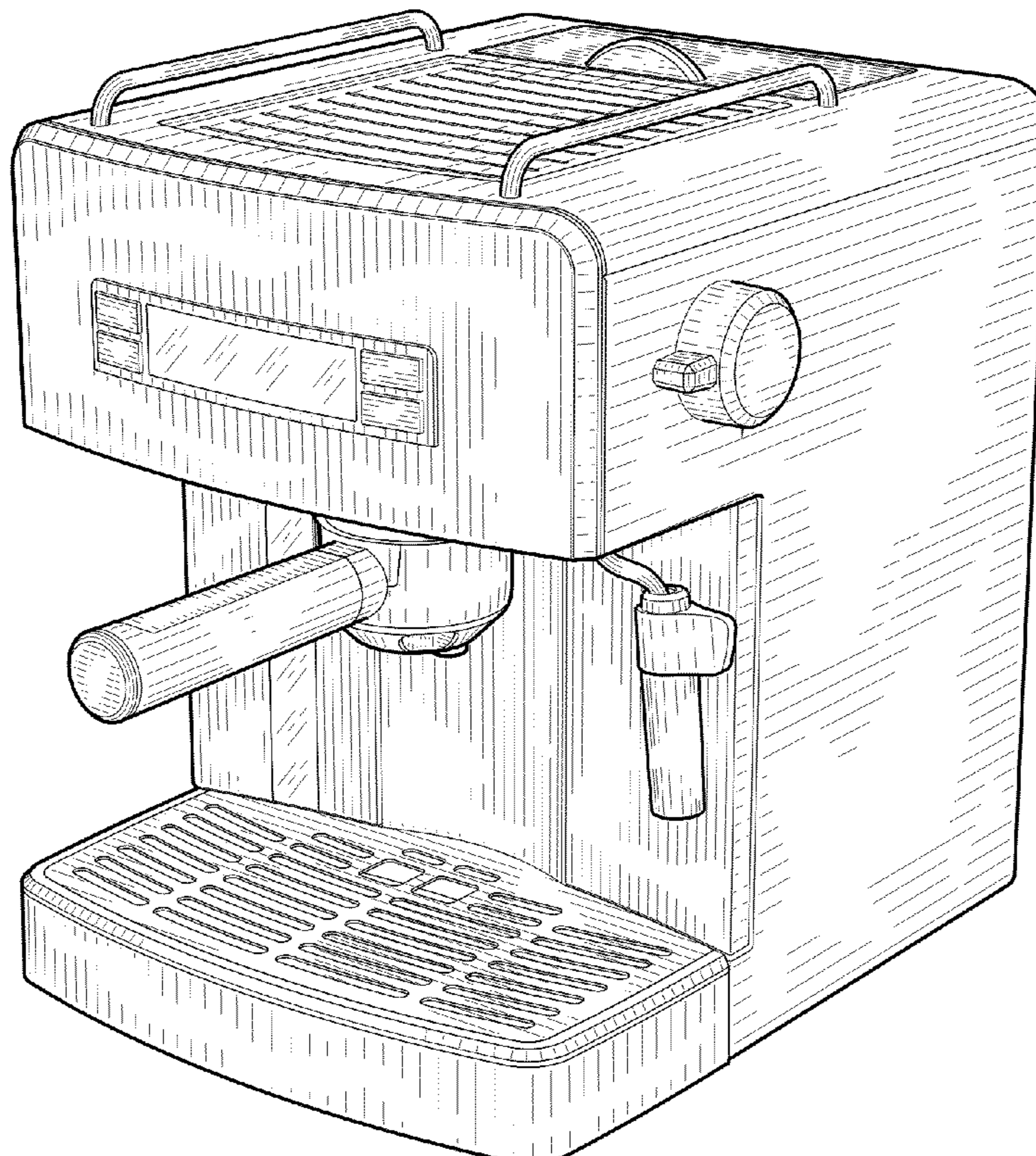
(57) **CLAIM**

The ornamental design for a coffee maker, as shown.

DESCRIPTION

FIG. 1 is a perspective view showing my design;
FIG. 2 is a front elevational view thereof;
FIG. 3 is a rear elevational view thereof;
FIG. 4 is a right side elevational view thereof;
FIG. 5 is a left side elevational view thereof;
FIG. 6 is a top plan view thereof; and,
FIG. 7 is a bottom plan view thereof.

1 Claim, 7 Drawing Sheets



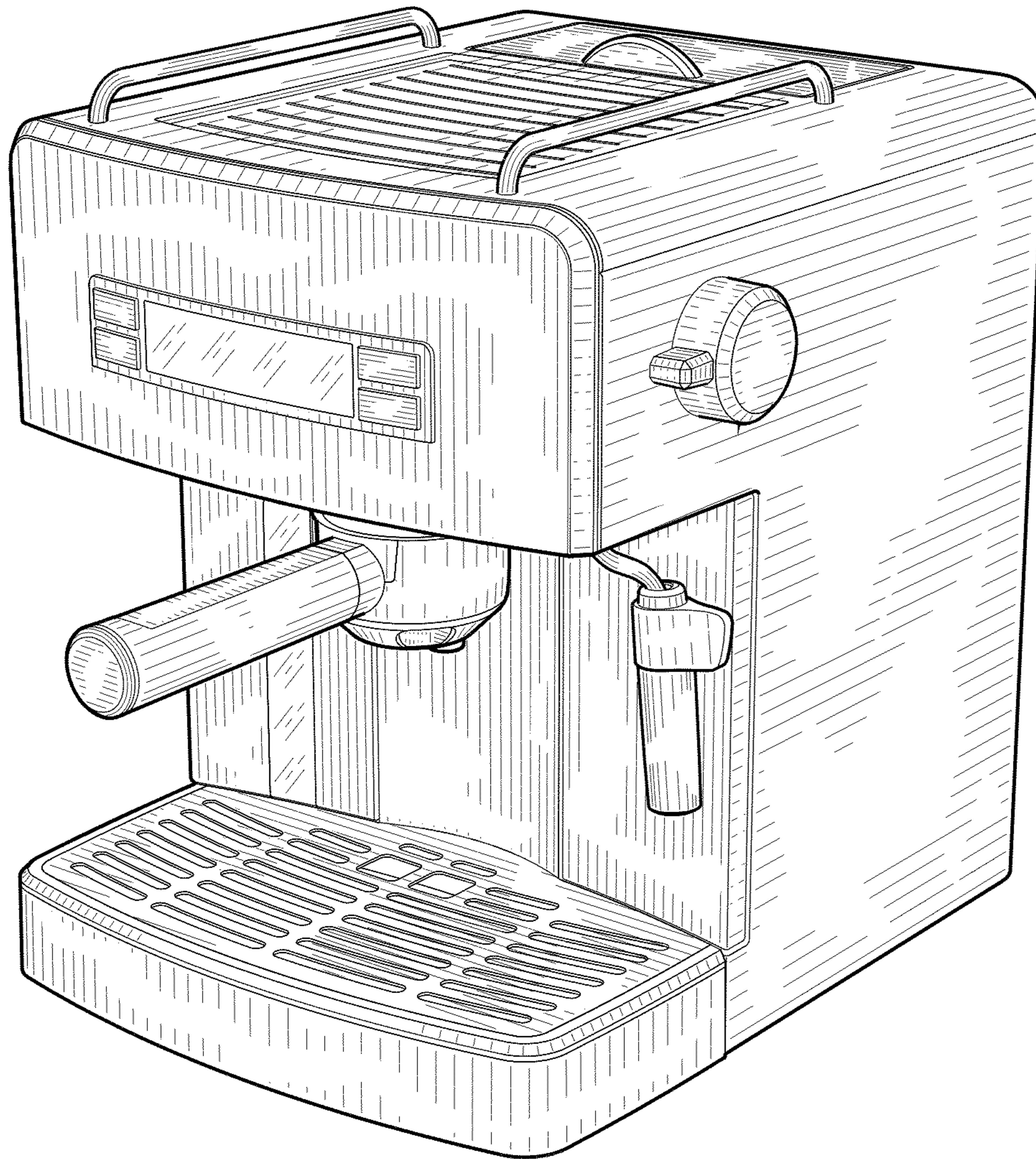


FIG. 1

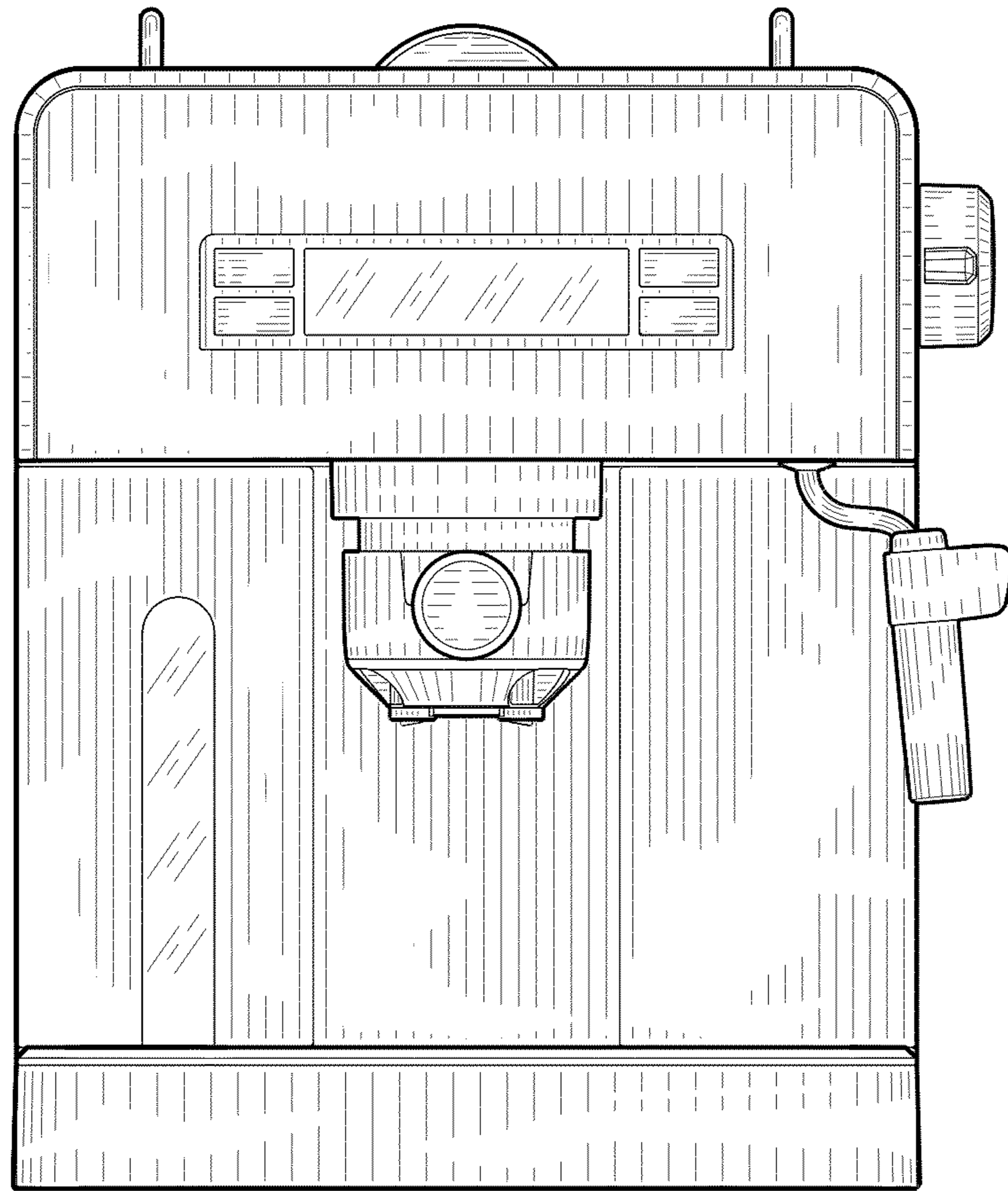


FIG. 2

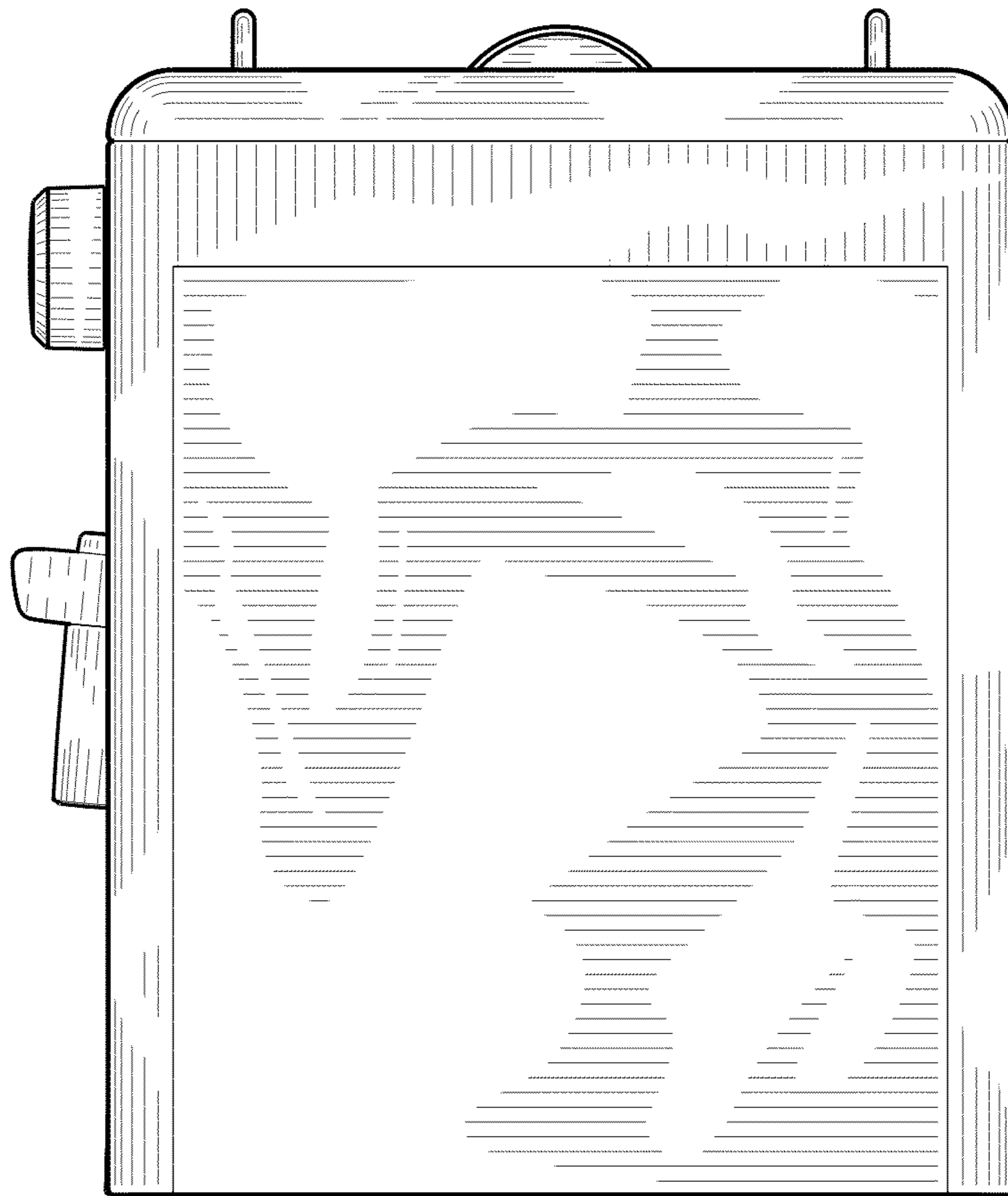


FIG. 3

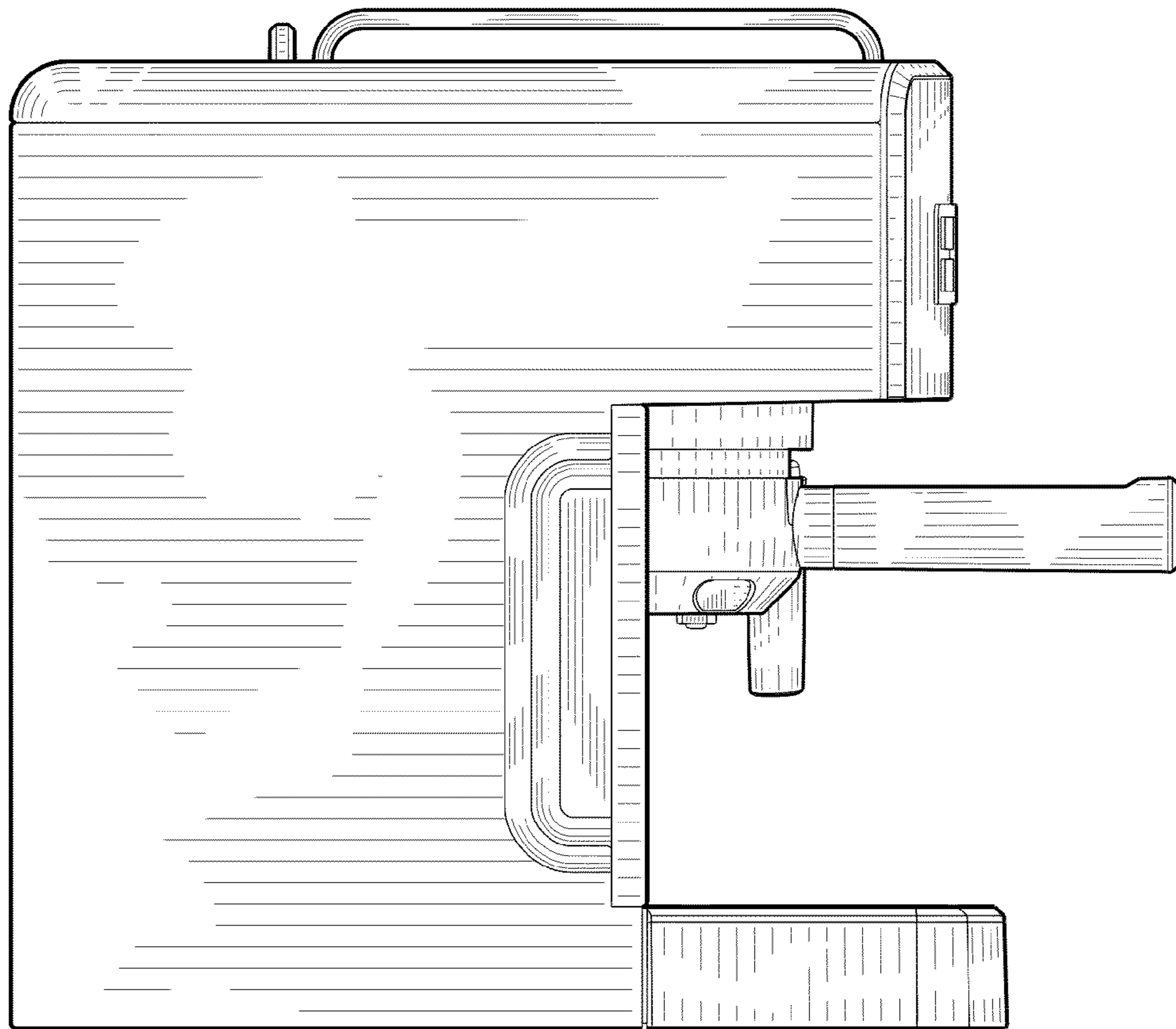


FIG. 4

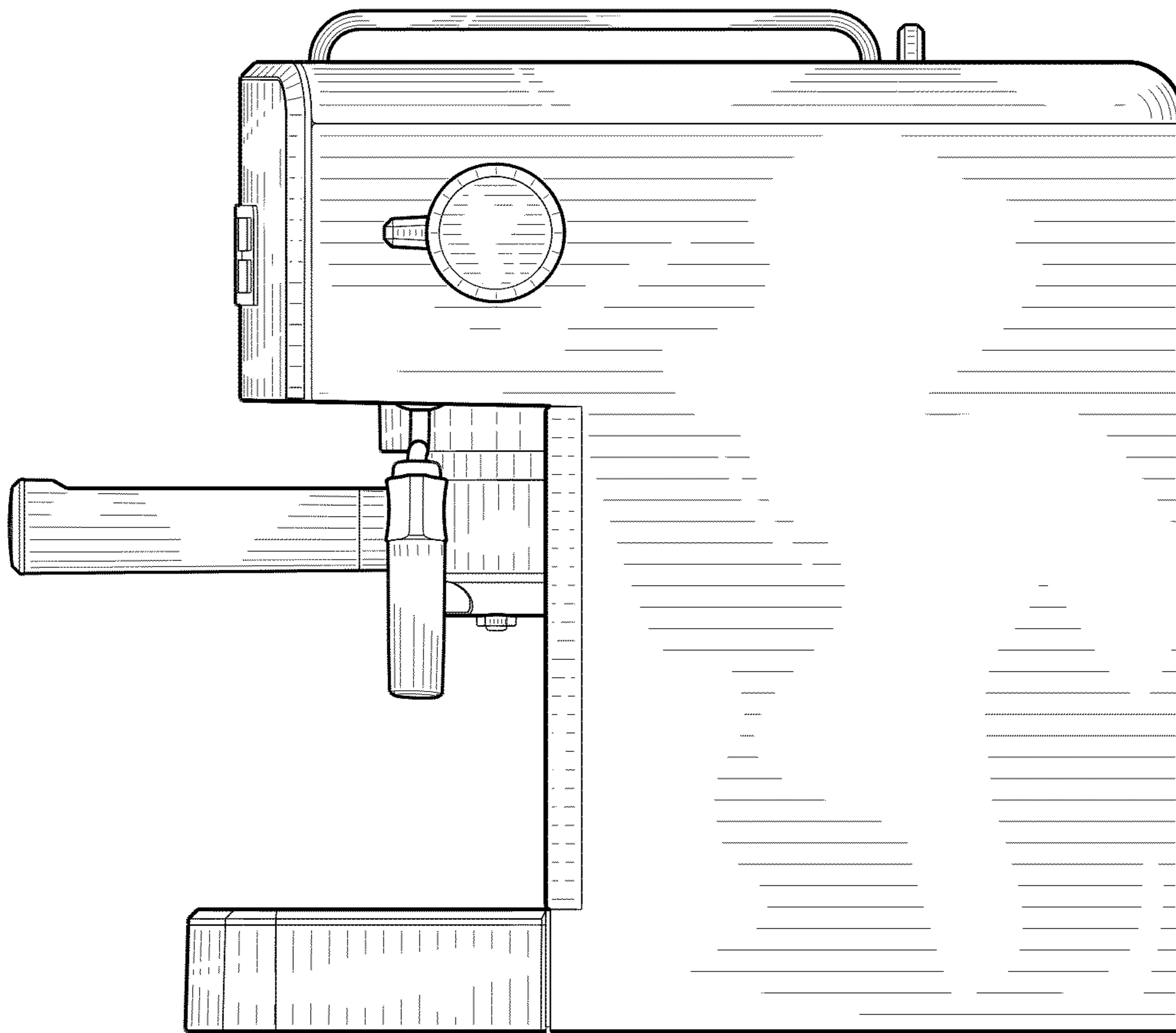


FIG. 5

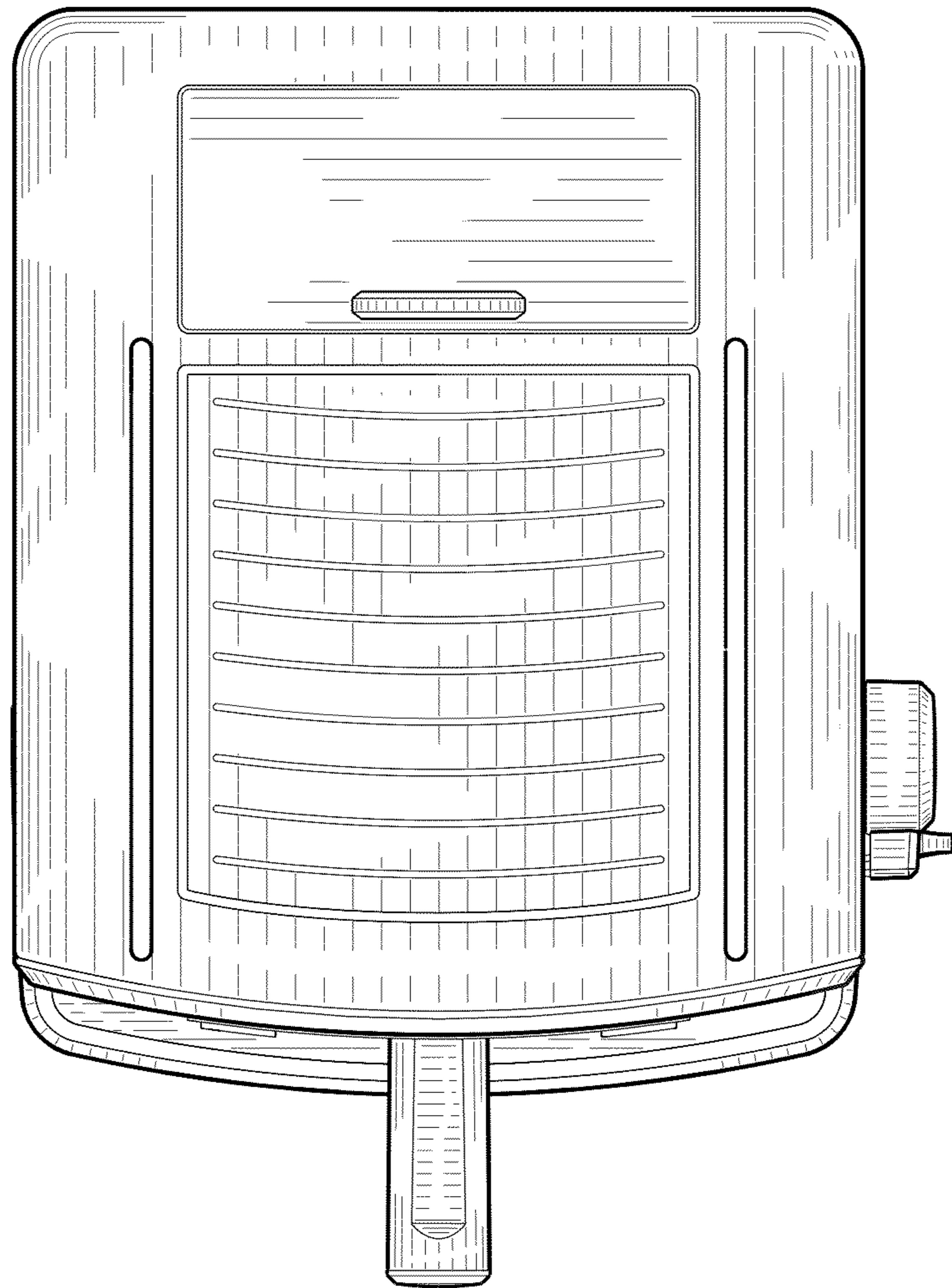


FIG. 6

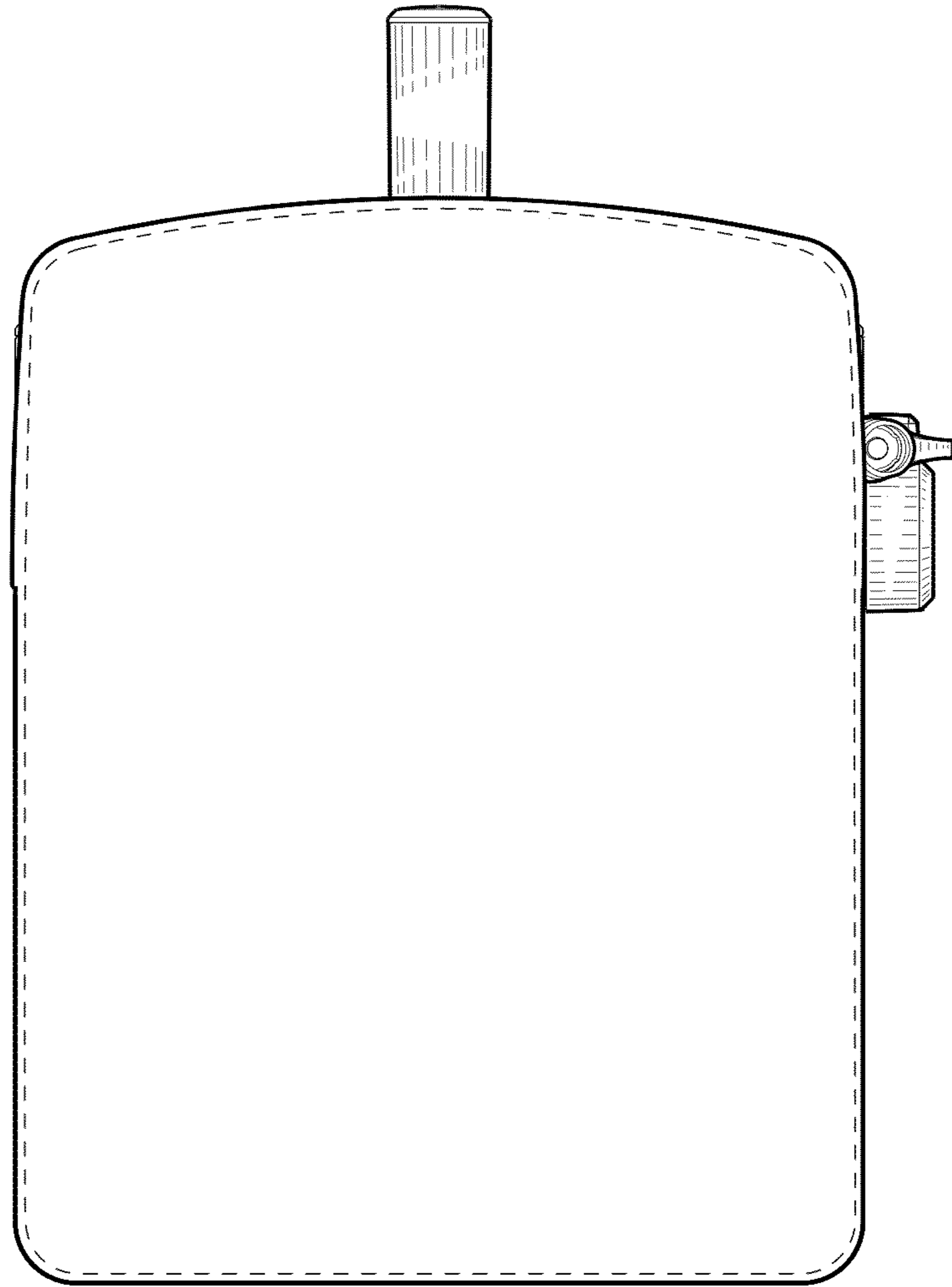


FIG. 7