



US00D695557S

(12) **United States Design Patent**  
**Carretta**

(10) **Patent No.:** **US D695,557 S**

(45) **Date of Patent:** **\*\* Dec. 17, 2013**

(54) **TABLE BASE**

(75) Inventor: **Lucio Carretta**, Longare (IT)

(73) Assignee: **Intermobel S.A.S. di Carretta Cav. Angelo & C.**, Fraz. Costozza (IT)

(\*\*) Term: **14 Years**

(21) Appl. No.: **29/425,813**

(22) Filed: **Jun. 27, 2012**

(30) **Foreign Application Priority Data**

Jan. 3, 2012 (EM) ..... 001970955-0001  
Jan. 3, 2012 (EM) ..... 001970955-0002

(51) **LOC (9) Cl.** ..... **06-06**

(52) **U.S. Cl.**  
USPC ..... **D6/708**

(58) **Field of Classification Search**  
USPC ..... D6/691, 691.3, 691.8, 691.5, 656,  
D6/656.16, 656.13, 709, 709.2, 709.21,  
D6/708, 708.16; 108/153.1, 156, 161,  
108/50.01, 50.02, 118, 172; 248/188,  
248/188.1, 188.7

See application file for complete search history.

(56) **References Cited**

**U.S. PATENT DOCUMENTS**

D441,572 S \* 5/2001 Deimen et al. .... D6/480  
D443,776 S \* 6/2001 Deimen et al. .... D6/498

D552,884 S \* 10/2007 Saotome ..... D6/480  
D552,885 S \* 10/2007 Saotome ..... D6/480  
D626,767 S \* 11/2010 Lucci et al. .... D6/495  
D669,709 S \* 10/2012 Nakamura ..... D6/480  
D671,339 S \* 11/2012 Nakamura ..... D6/480  
D676,689 S \* 2/2013 Matsushita et al. .... D6/691

\* cited by examiner

*Primary Examiner* — Janice Seeger

(74) *Attorney, Agent, or Firm* — Fattibene and Fattibene LLC; Paul A. Fattibene

(57) **CLAIM**

The ornamental design for a table base, as shown and described.

**DESCRIPTION**

FIG. 1 is a front perspective view of a table base showing the new design with a top down.

FIG. 2 is a rear perspective view thereof with the top down;

FIG. 3 is a right side elevation view thereof with the top down;

FIG. 4 is a left side elevation view thereof with the top down,

FIG. 5 is a top plan view thereof with the top down;

FIG. 6 is a bottom plan view thereof with the top down;

FIG. 7 is a rear elevation a view thereof with the top down;

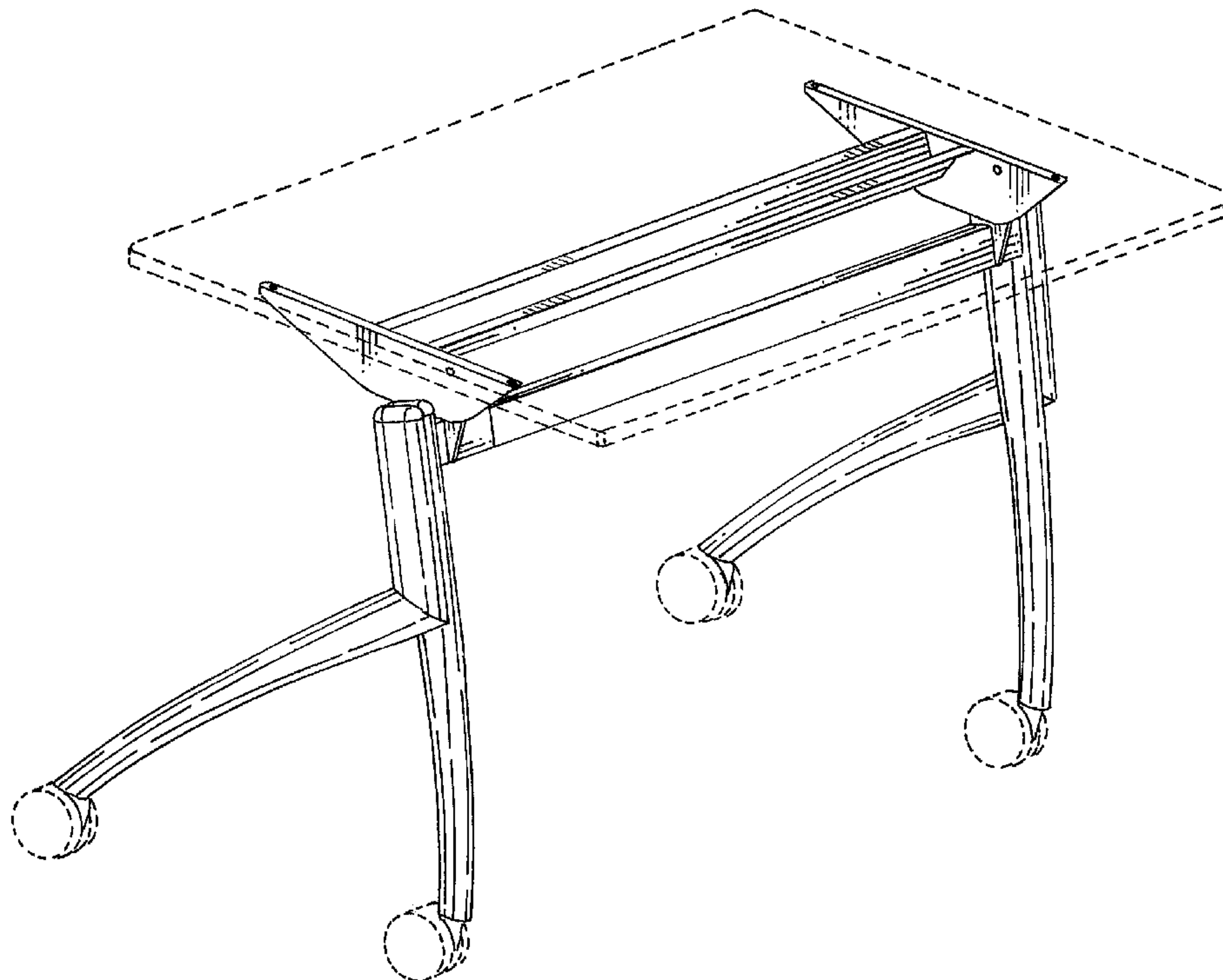
FIG. 8 is a front elevation a view thereof with the top down.

FIG. 9 is a rear perspective view thereof with the top up; and,

FIG. 10 is a right side elevation view thereof with the top up, with the left side elevational view being a mirror image.

The broken lines showing the top, bottom, and casters are for the purpose of illustrating environmental structure and form no part of the claimed design.

**1 Claim, 10 Drawing Sheets**



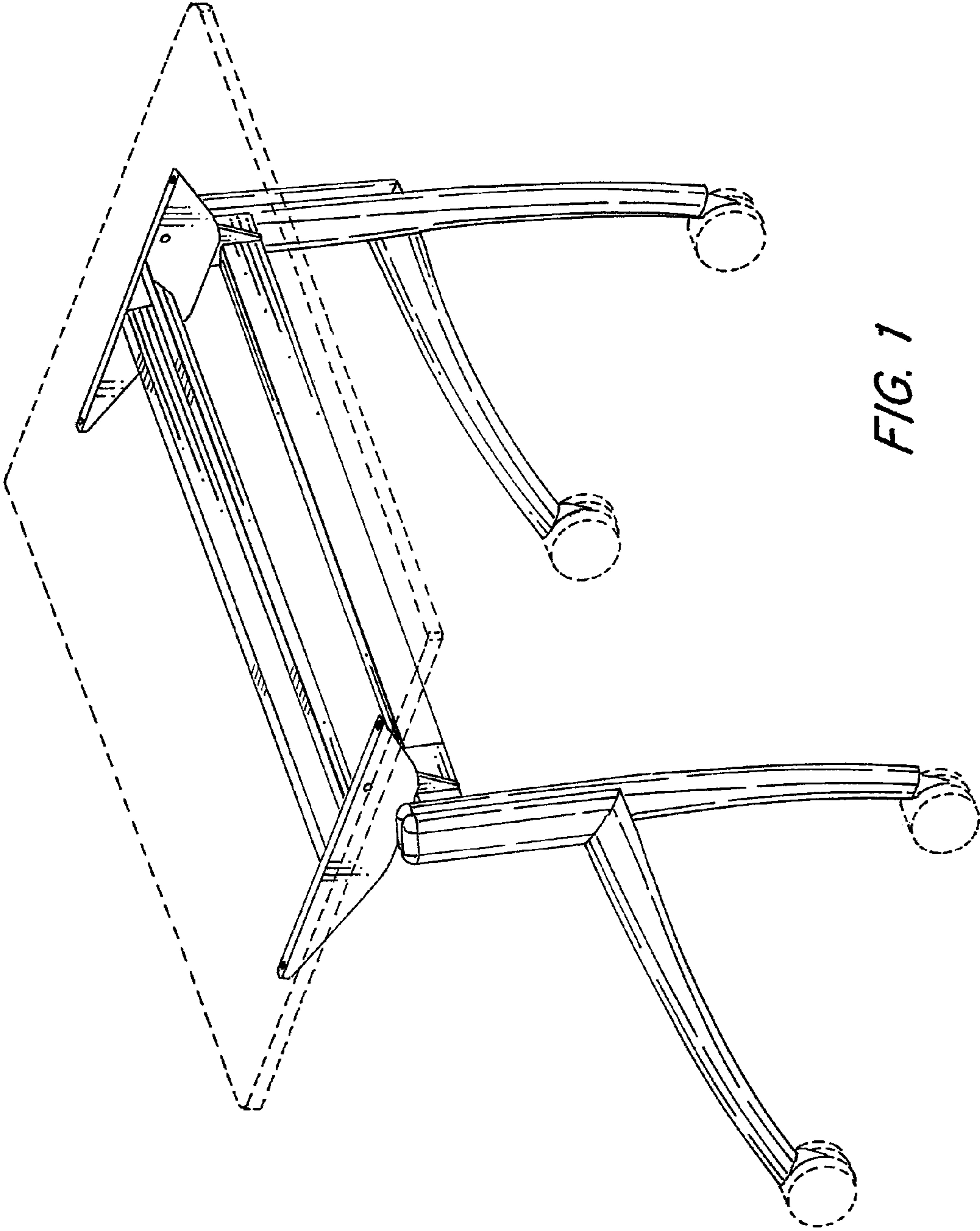


FIG. 1

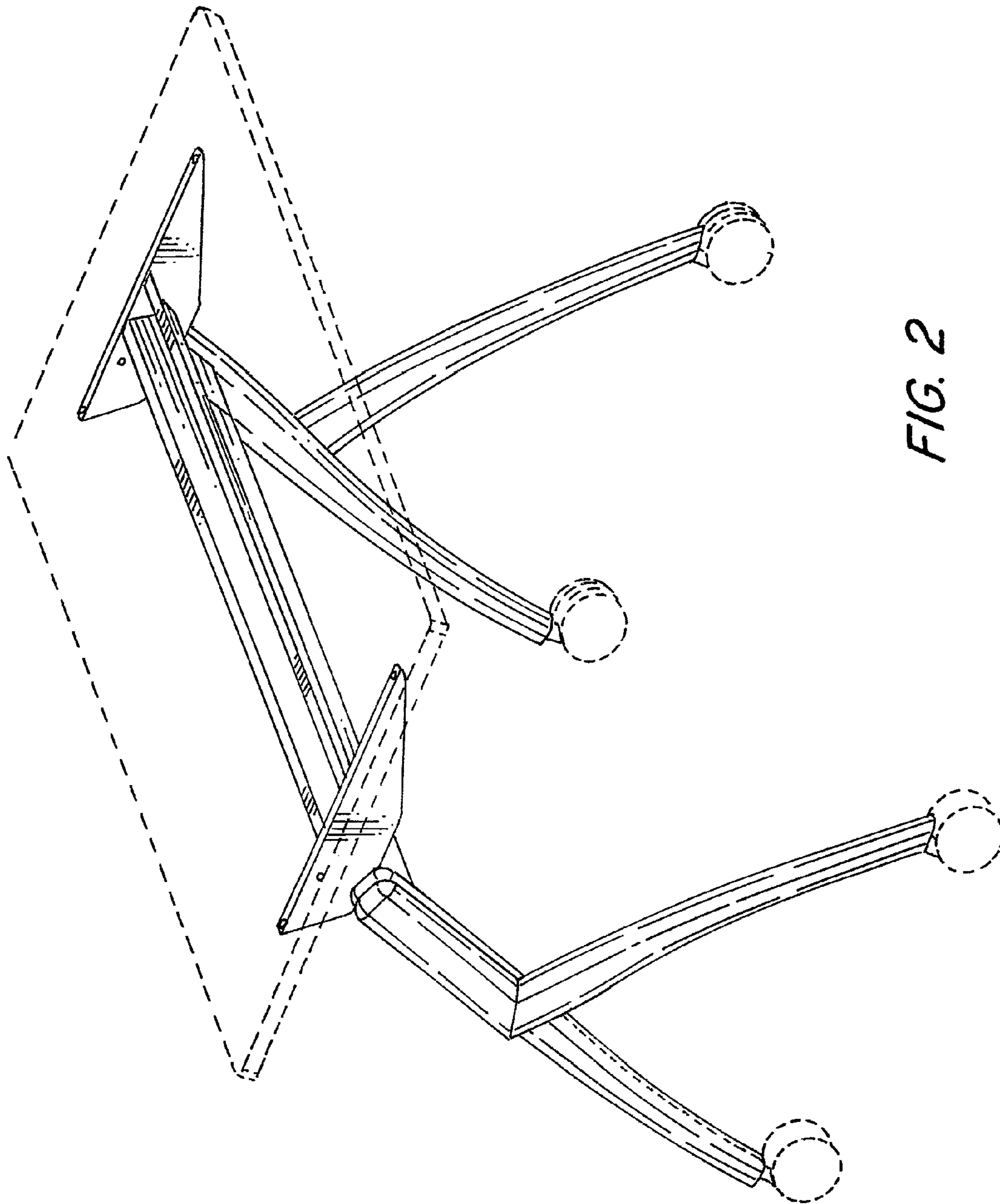
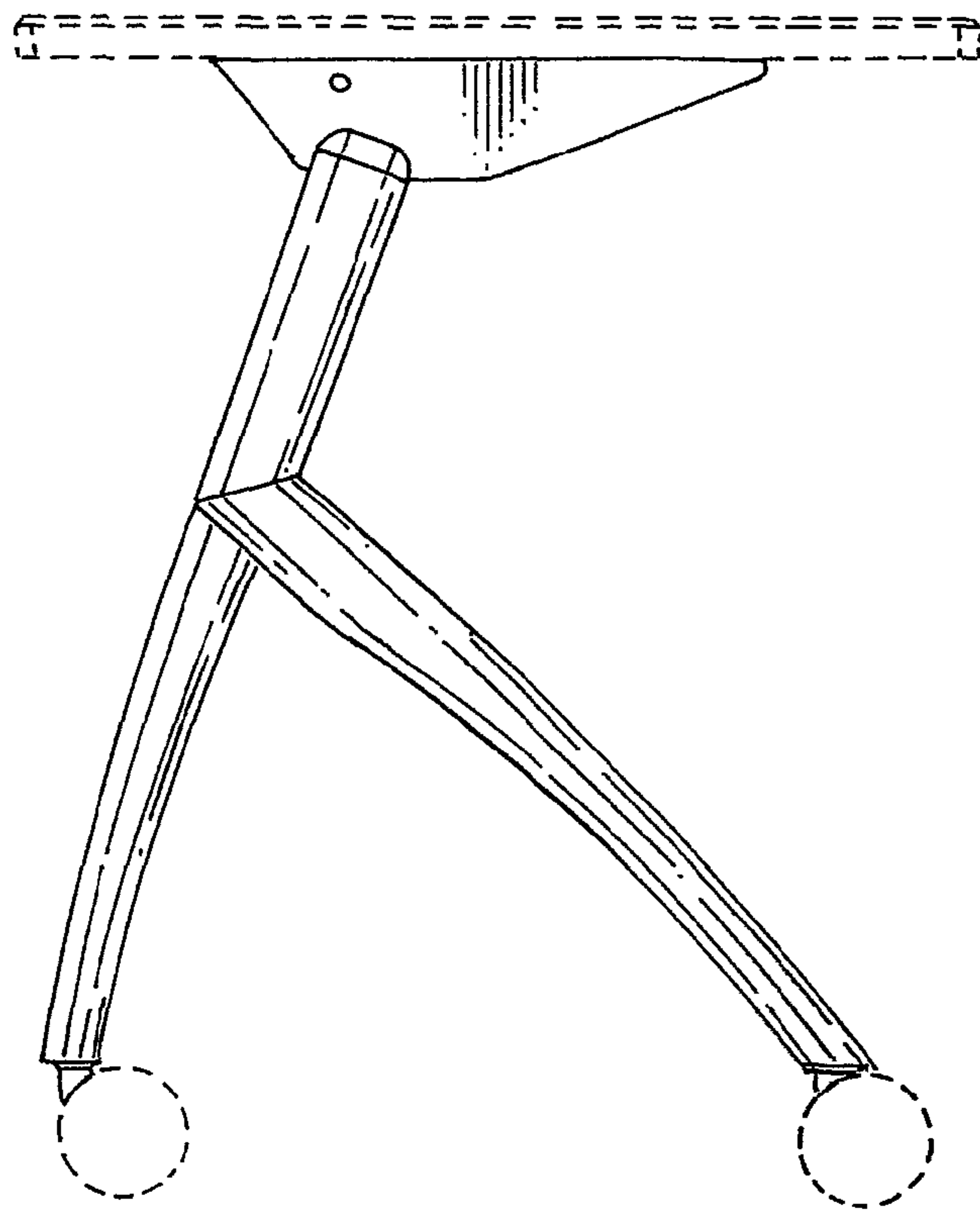
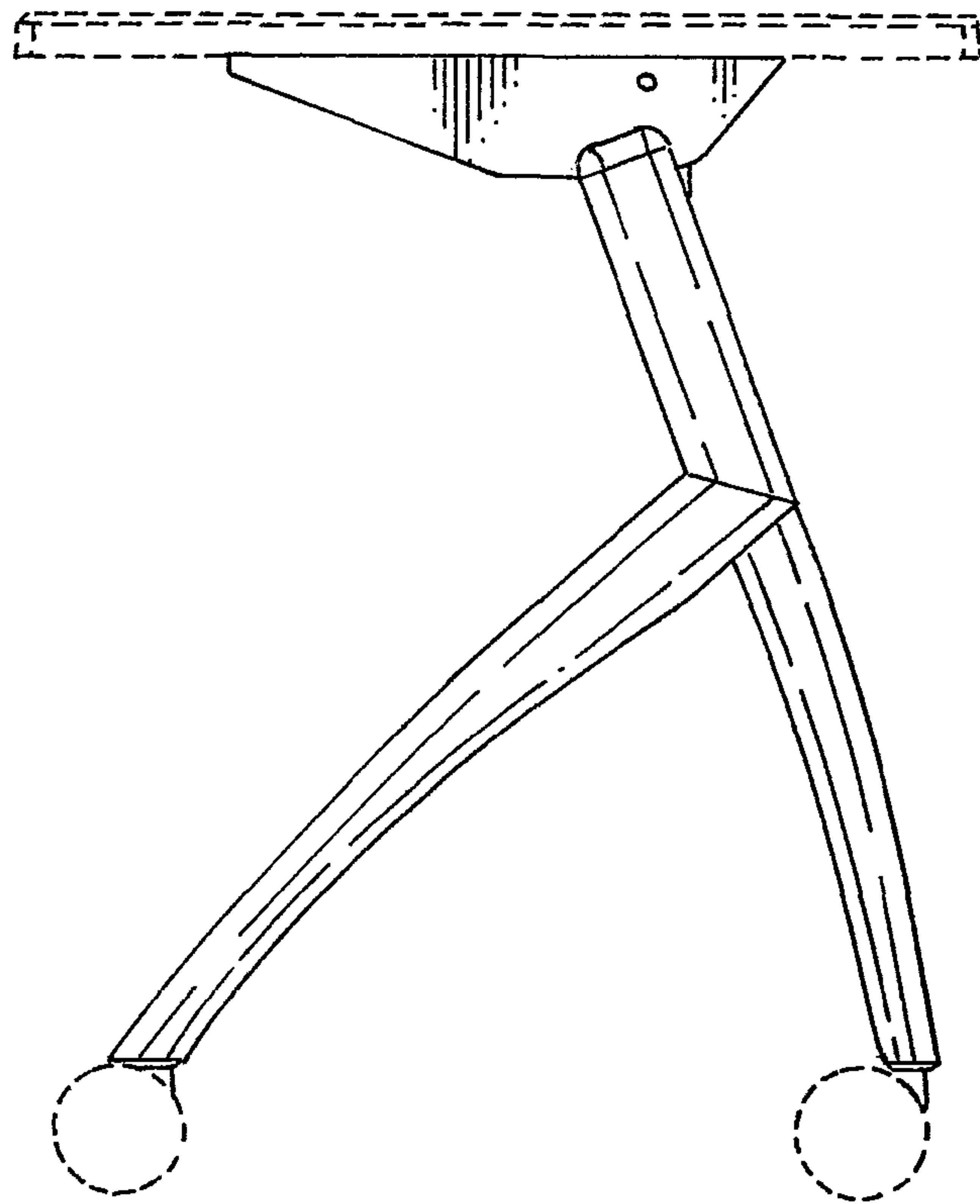


FIG. 2



*FIG. 3*



*FIG. 4*



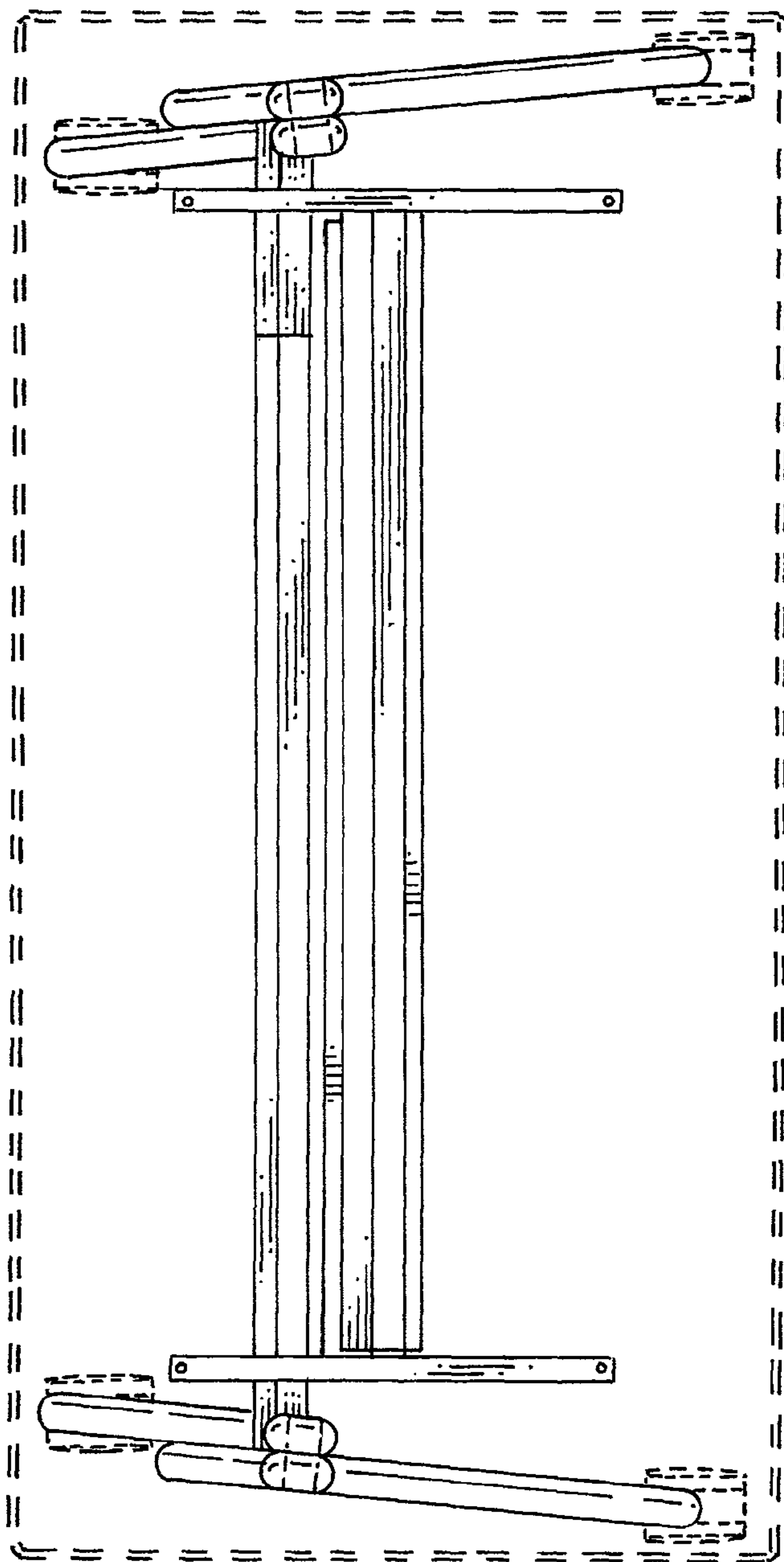


FIG. 5

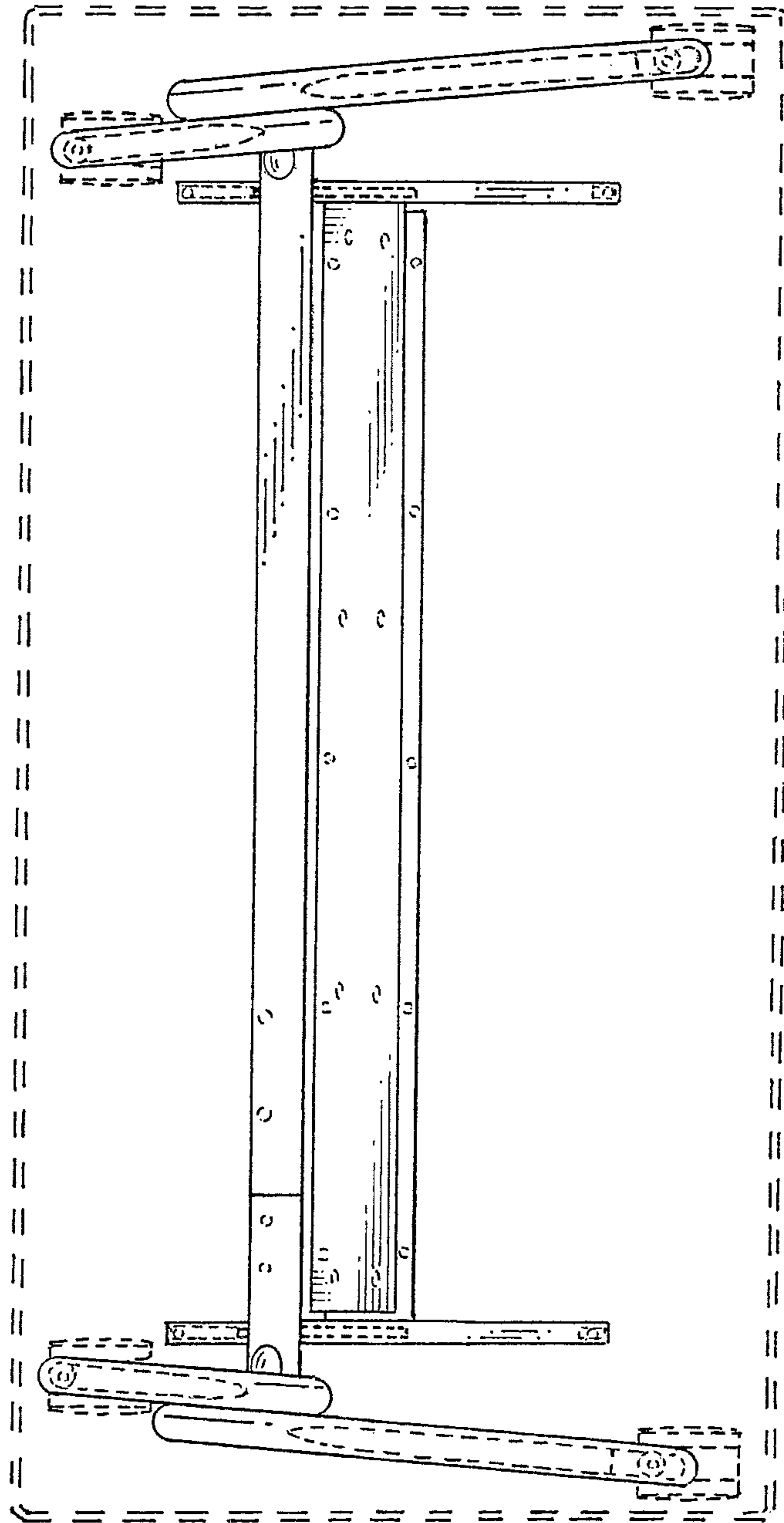


FIG. 6

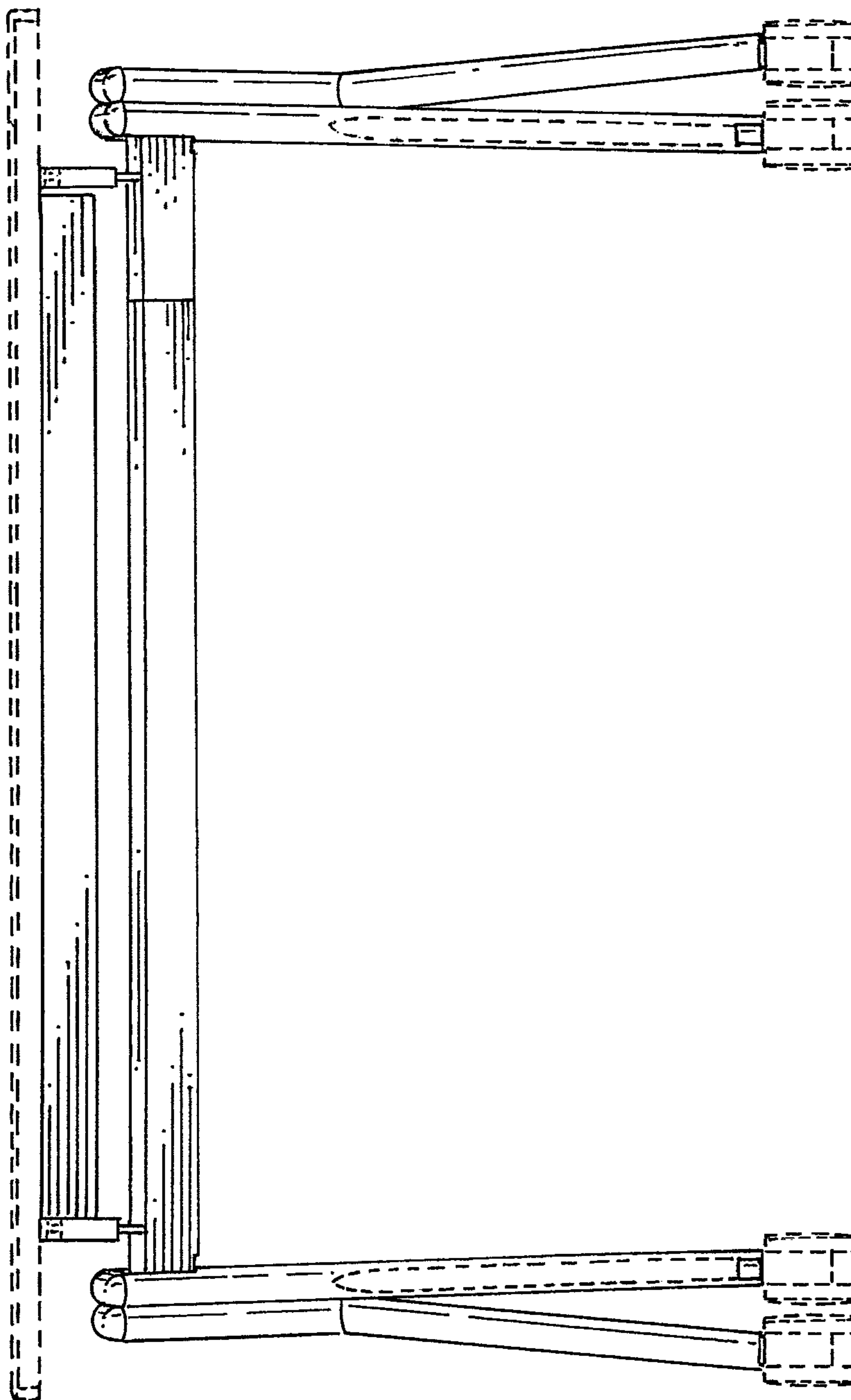


FIG. 7



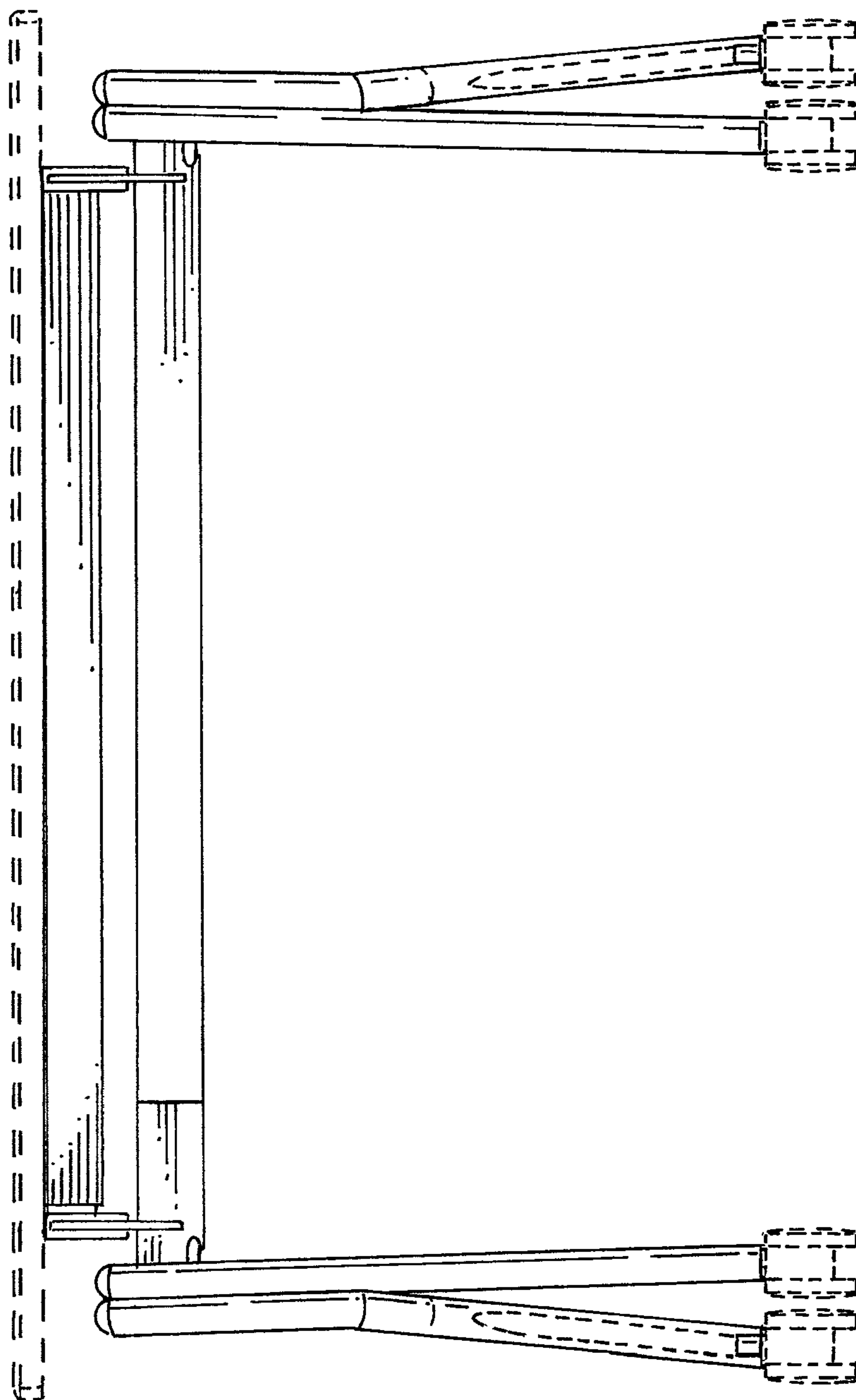
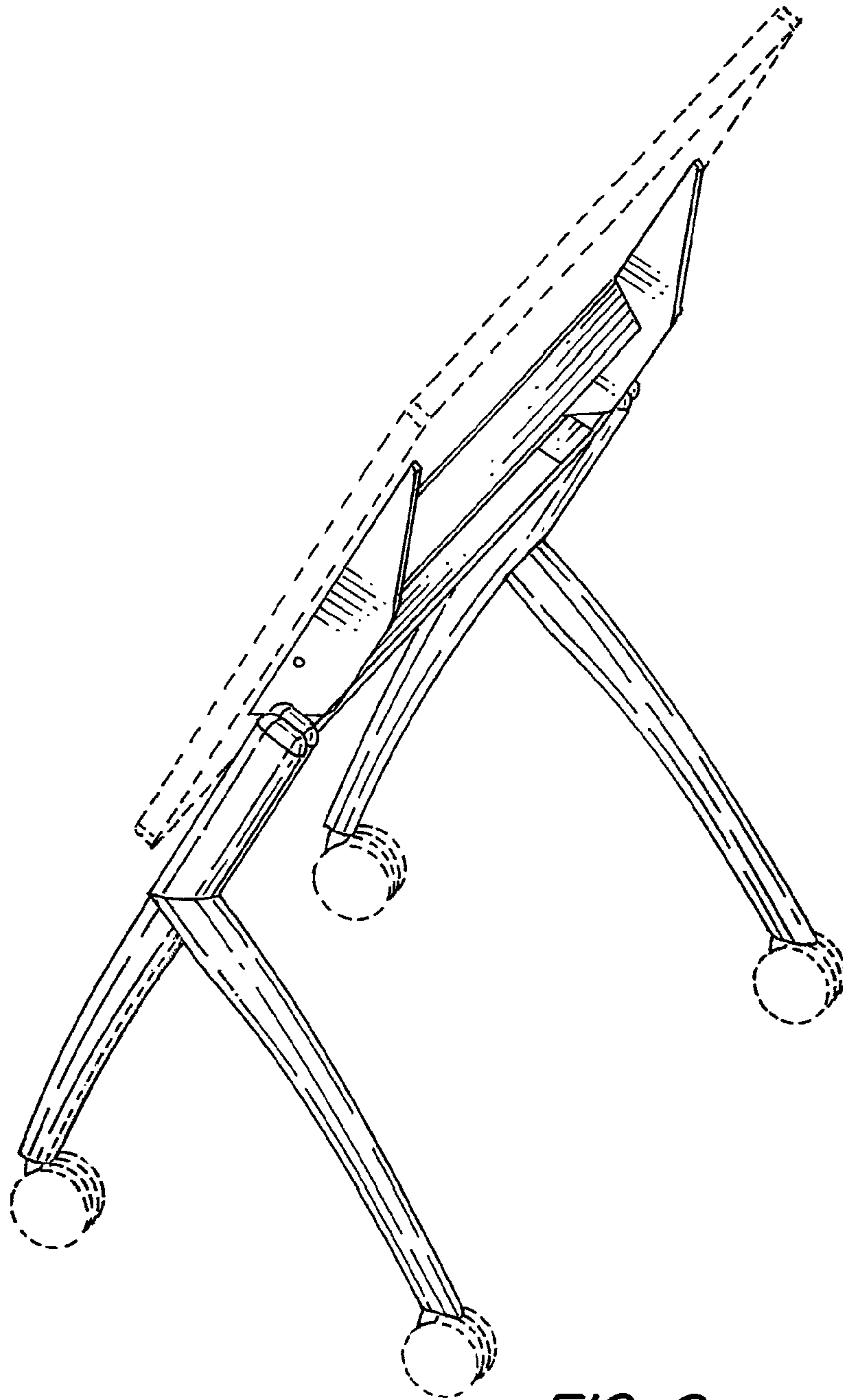
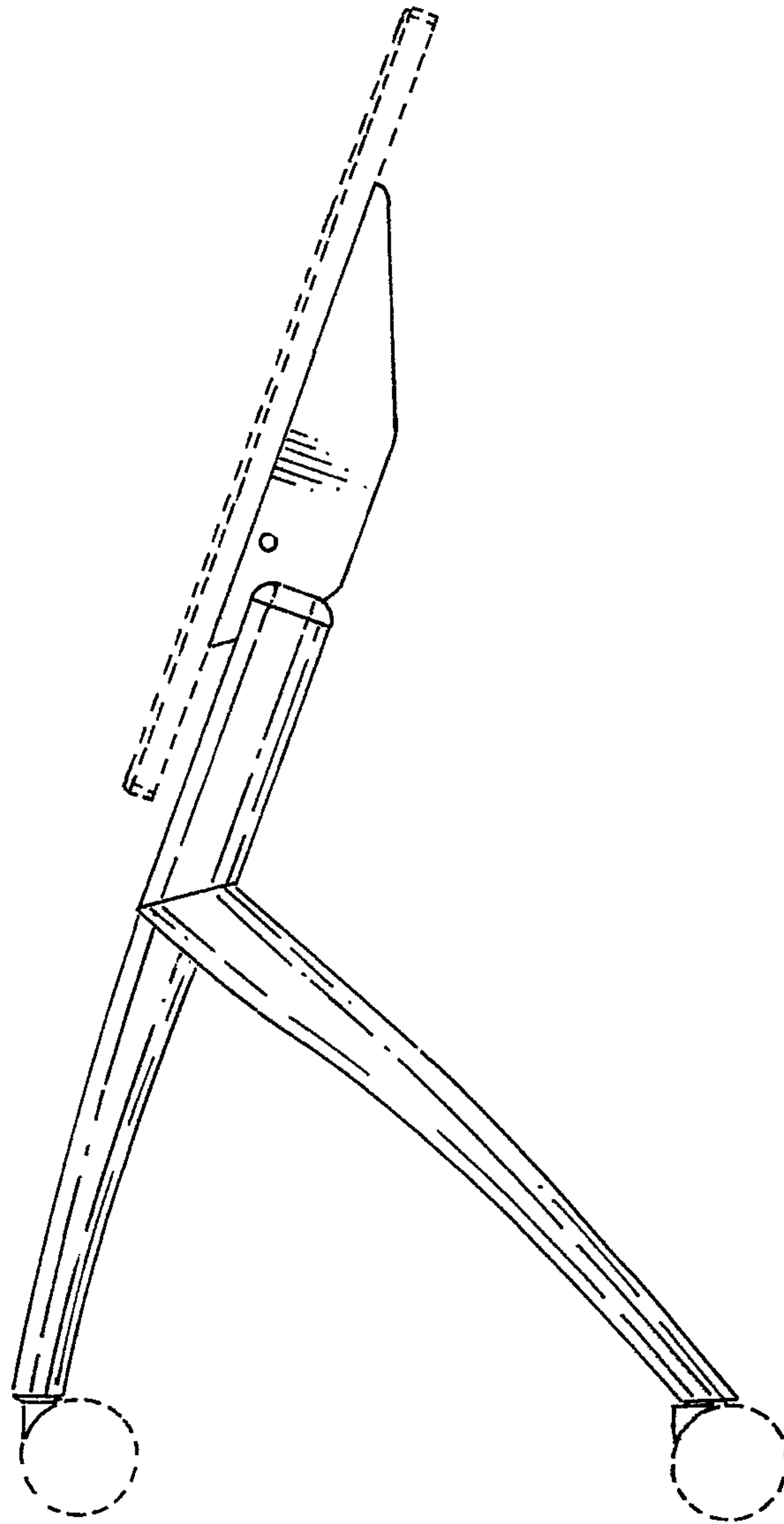


FIG. 8



*FIG. 9*



*FIG. 10*