



US00D695554S

(12) **United States Design Patent**  
**Voron et al.**

(10) **Patent No.:** **US D695,554 S**

(45) **Date of Patent:** **\*\* Dec. 17, 2013**

(54) **RACK**

(71) Applicants: **Vincent Voron**, Duluth, GA (US);  
**Christine Naples**, Atlanta, GA (US);  
**Patrick McEneaney**, Agoura Hills, CA  
(US); **Elisabeth Michaela Schwartz**,  
Munich (DE)

(72) Inventors: **Vincent Voron**, Duluth, GA (US);  
**Christine Naples**, Atlanta, GA (US);  
**Patrick McEneaney**, Agoura Hills, CA  
(US); **Elisabeth Michaela Schwartz**,  
Munich (DE)

(73) Assignee: **The Coca-Cola Company**, Atlanta, GA  
(US)

(\*\*) Term: **14 Years**

(21) Appl. No.: **29/444,339**

(22) Filed: **Jan. 29, 2013**

(51) **LOC (9) Cl.** ..... **06-06**

(52) **U.S. Cl.**  
USPC ..... **D6/675.4**

(58) **Field of Classification Search**  
USPC ..... D6/396, 407, 429, 449, 455–457,  
D6/460–463, 465, 468, 474, 478–479, 509,  
D6/514, 672–673, 675–675.1,  
D6/675.3–675.4; 211/13.1, 41.1, 71.01,  
211/85.3, 85.4, 59.2, 126.12, 126.1, 133.1  
See application file for complete search history.

(56) **References Cited**

U.S. PATENT DOCUMENTS

D253,444 S *	11/1979	Mathus et al.	.....	D6/407
4,228,902 A *	10/1980	Schulte	.....	211/41.18
D319,741 S *	9/1991	Sylvester	.....	D6/407
D391,113 S *	2/1998	Marhefka	.....	D6/629
5,730,300 A *	3/1998	Chen	.....	211/40
D400,389 S *	11/1998	Lu	.....	D6/629
D413,478 S *	9/1999	Yeh	.....	D6/629
D420,239 S *	2/2000	Nemeth	.....	D6/630
D427,475 S *	7/2000	Hwang	.....	D6/630
D427,837 S *	7/2000	Nemeth	.....	D6/630

6,145,673 A *	11/2000	Burrows et al.	.....	211/41.18
D436,787 S *	1/2001	London	.....	D6/630
D441,246 S *	5/2001	Chow et al.	.....	D6/630
D443,791 S *	6/2001	Martino	.....	D6/630
D448,598 S *	10/2001	Mok et al.	.....	D6/630
D476,187 S *	6/2003	Lau et al.	.....	D6/630
D478,764 S *	8/2003	Lau et al.	.....	D6/630
6,899,235 B2 *	5/2005	Hassett	.....	211/40
D521,793 S *	5/2006	Lau	.....	D6/630

\* cited by examiner

*Primary Examiner* — Kelley Donnelly

(74) *Attorney, Agent, or Firm* — McAndrews Held & Malloy, Ltd.

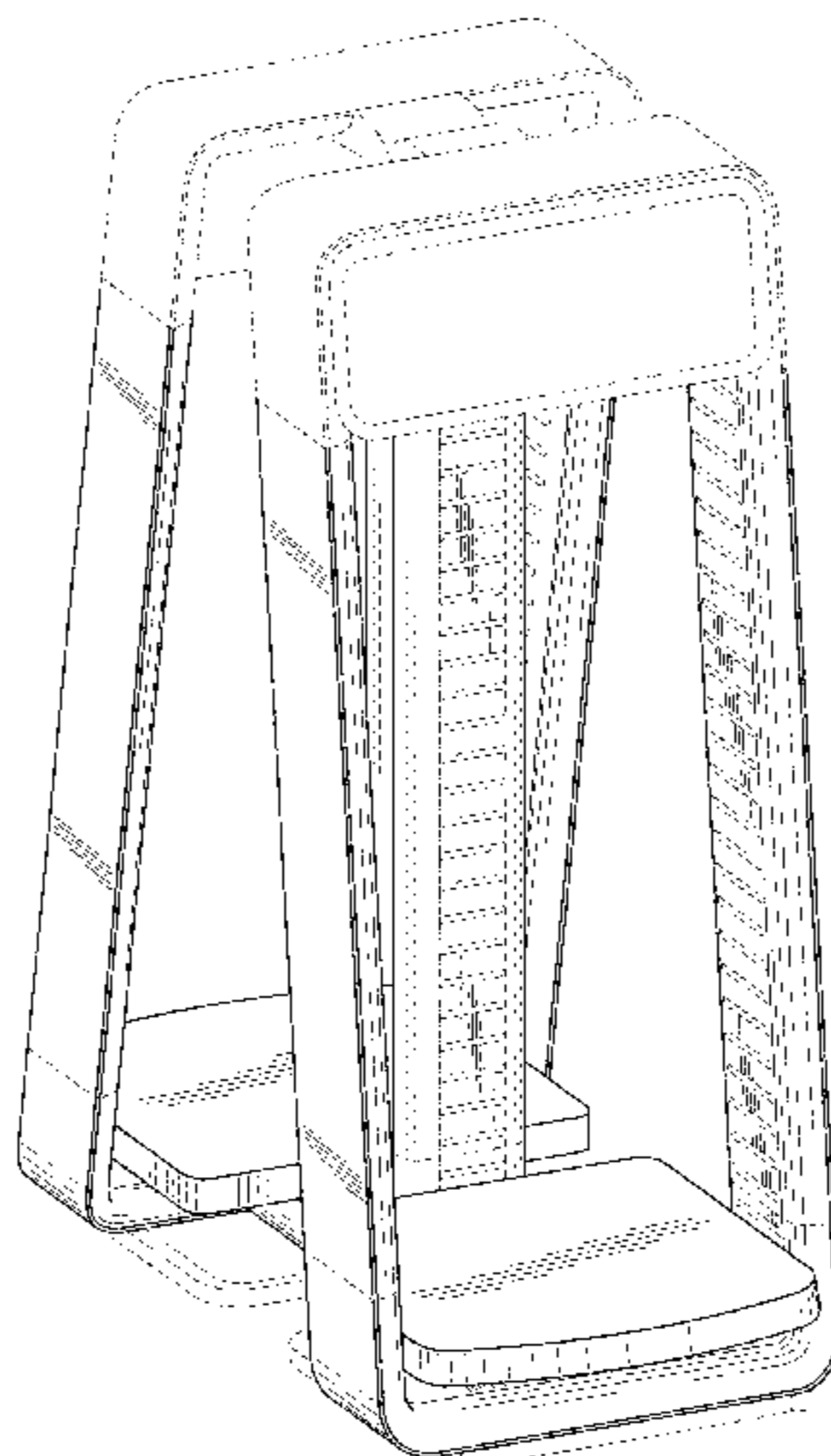
(57) **CLAIM**

The ornamental design for a rack, as shown and described.

**DESCRIPTION**

FIG. 1 is a front left perspective view of a first embodiment of a rack showing our new design;  
 FIG. 2 is a front elevation view thereof; the rear elevation view being a mirror image thereof;  
 FIG. 3 is a left-side elevation view thereof; the right-side elevation view being a mirror image thereof;  
 FIG. 4 is a top plan view thereof;  
 FIG. 5 is a bottom plan view thereof;  
 FIG. 6 is a front left perspective view thereof shown with environment; and  
 FIG. 7 is a front left perspective view of a second embodiment of a rack showing our new design;  
 FIG. 8 is a front elevation view thereof; the rear elevation view being a mirror image thereof;  
 FIG. 9 is a left-side elevation view thereof; the right-side elevation view being a mirror image thereof;  
 FIG. 10 is a top plan view thereof;  
 FIG. 11 is a bottom plan view thereof; and  
 FIG. 12 is a front left perspective view thereof shown with environment.  
 The broken lines are directed to environment and are for illustrative purposes only. The broken lines form no part of the claimed design.

**1 Claim, 12 Drawing Sheets**



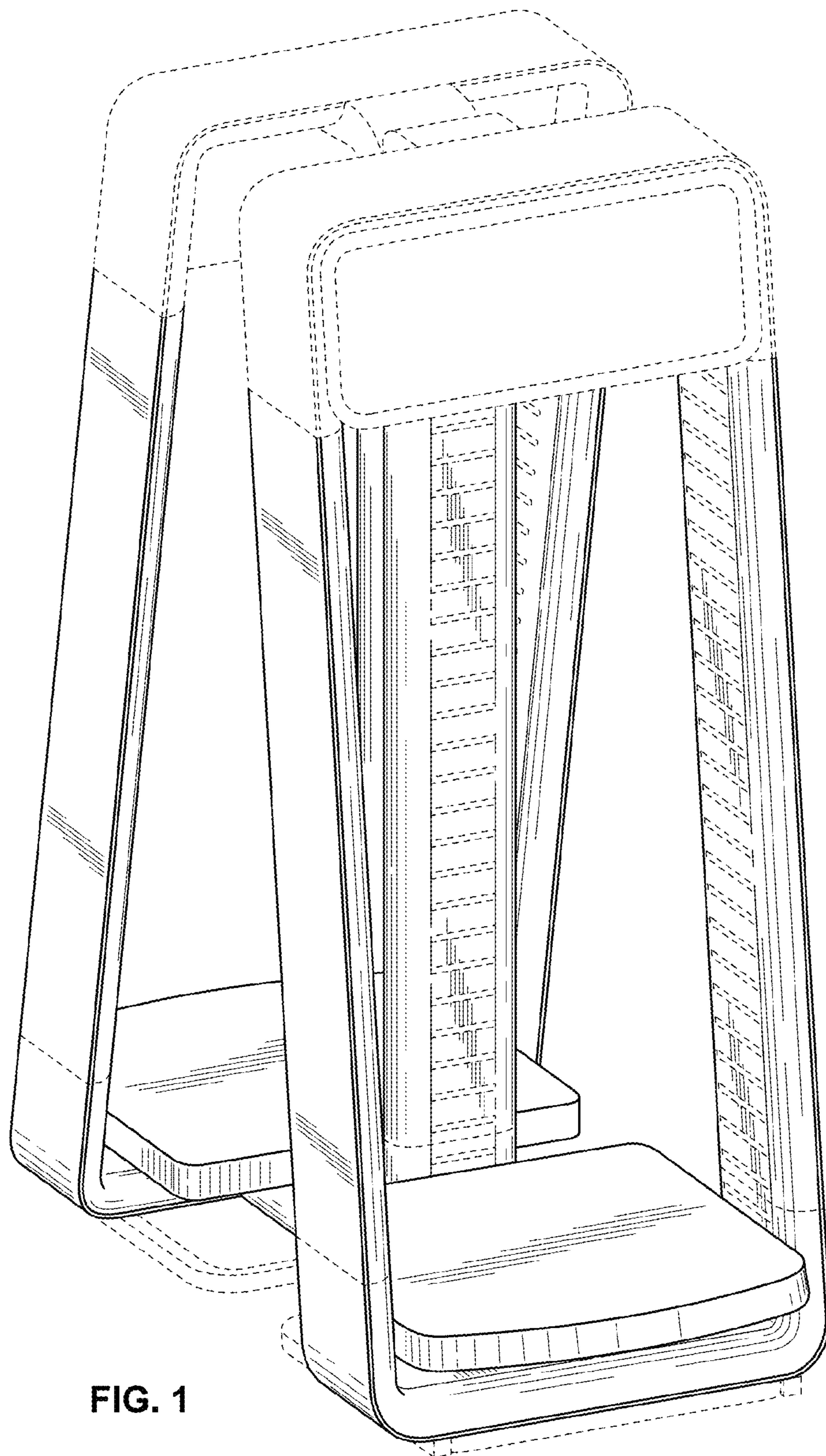


FIG. 1

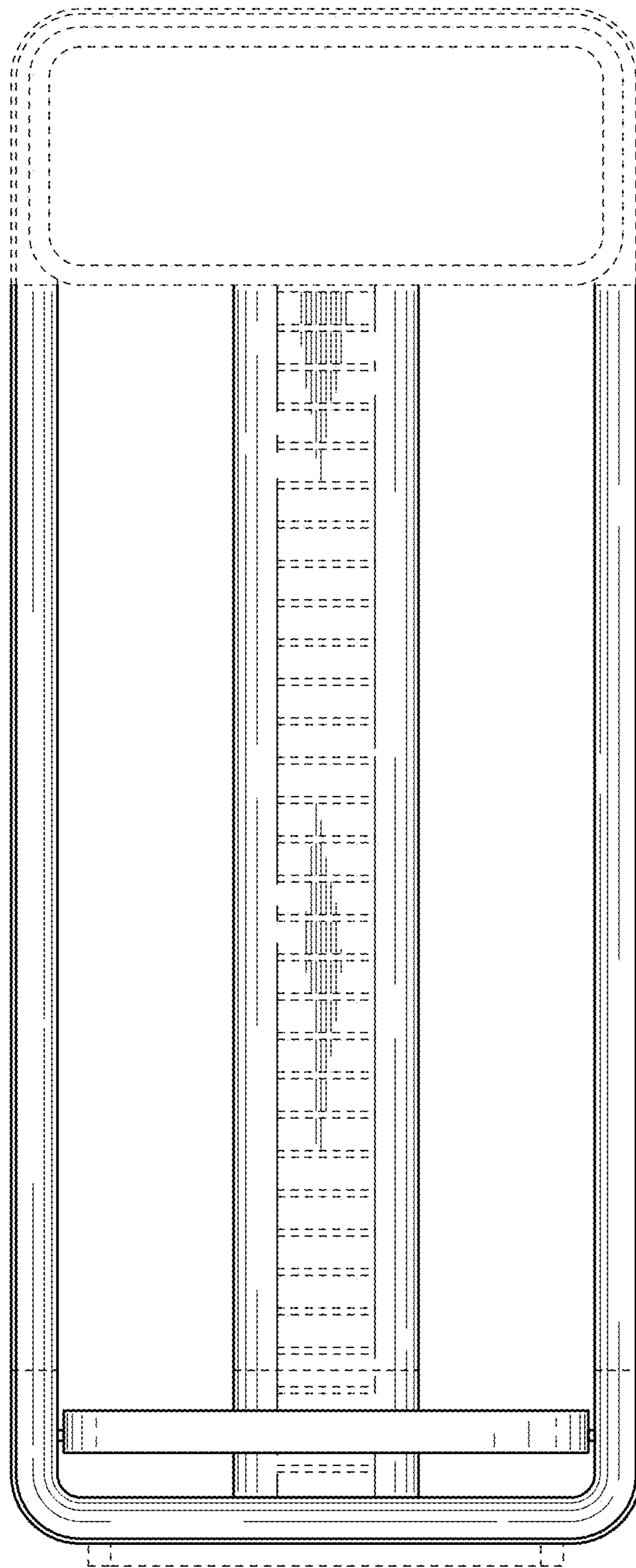


FIG. 2



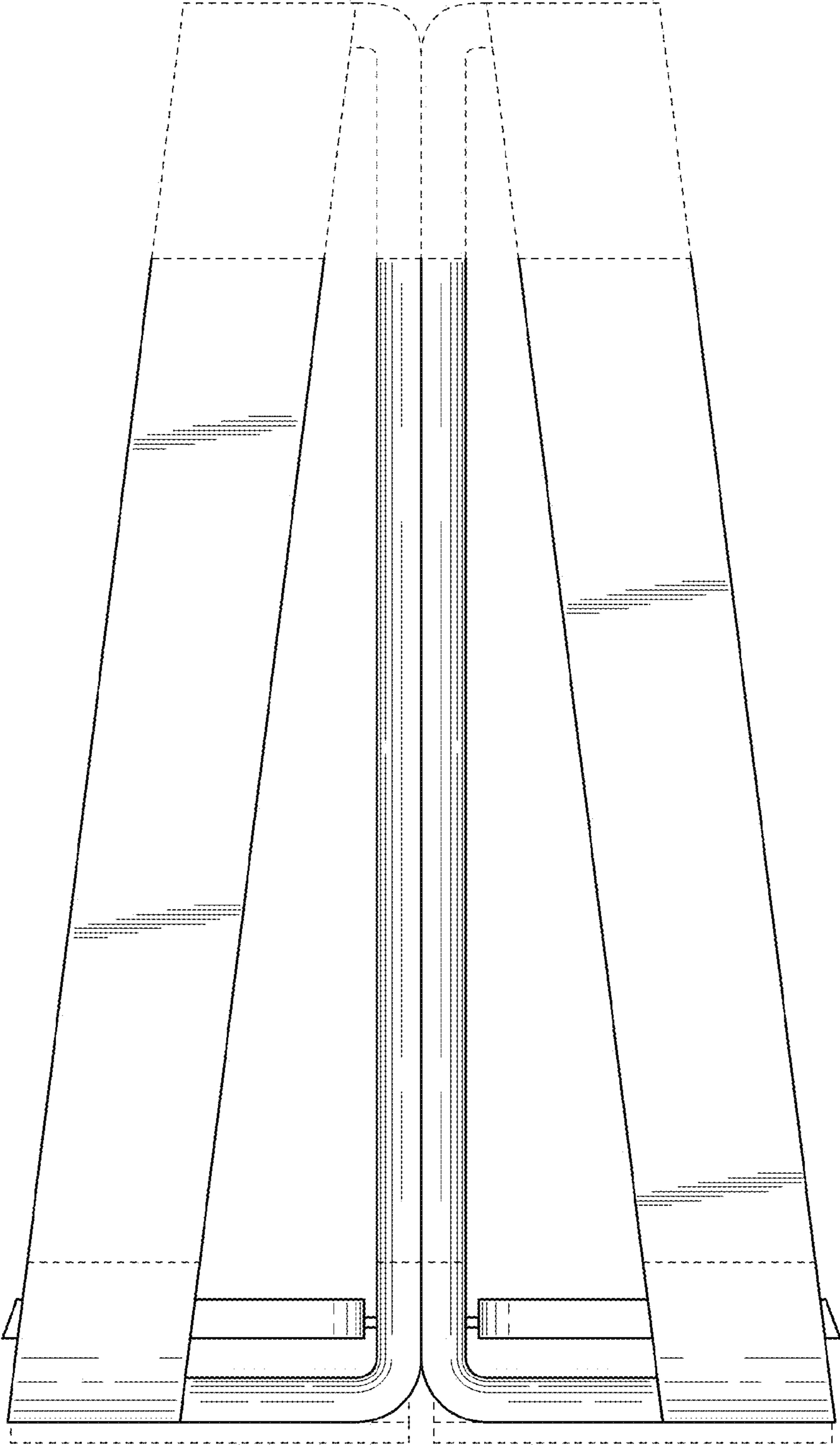


FIG. 3

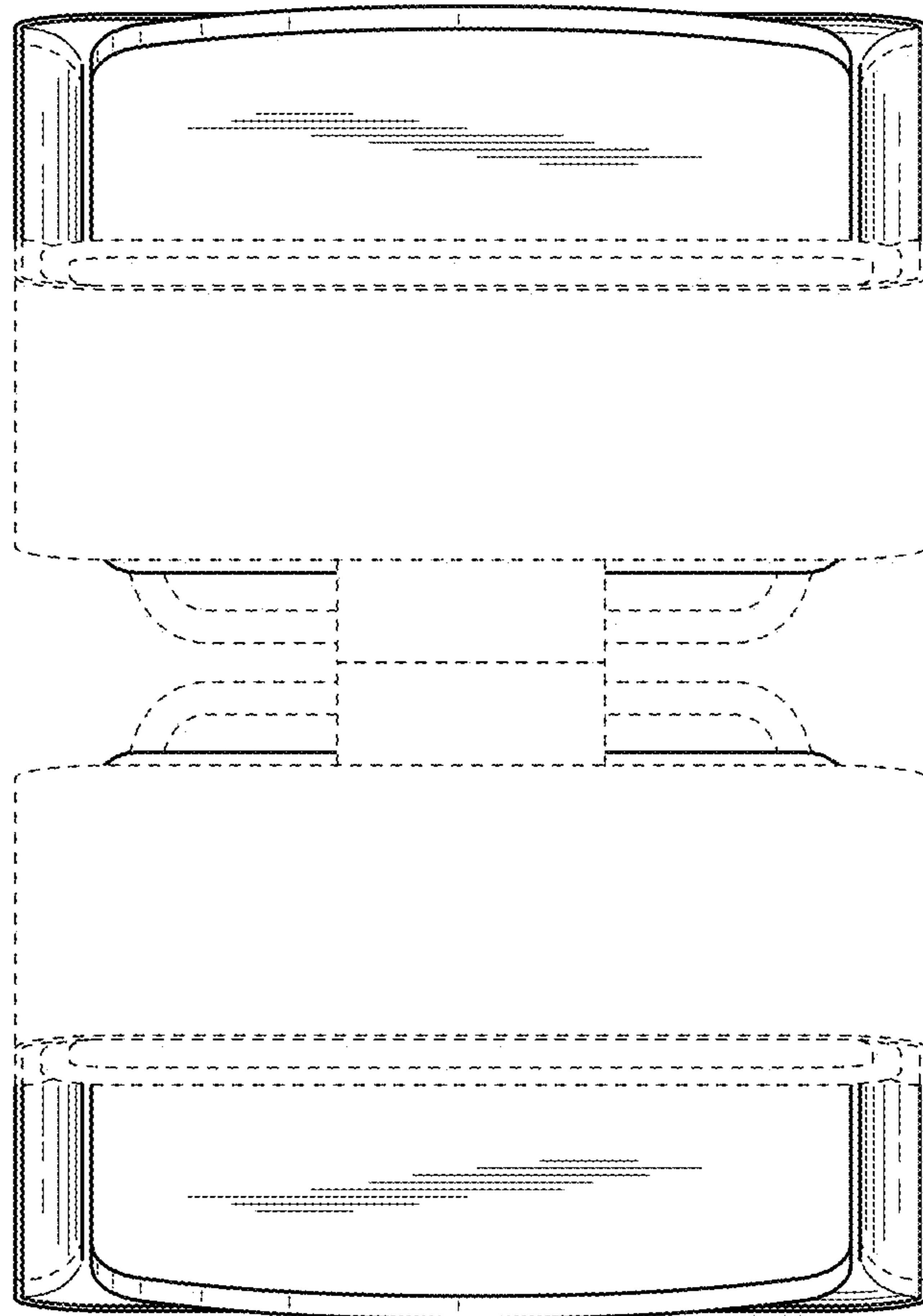


FIG. 4

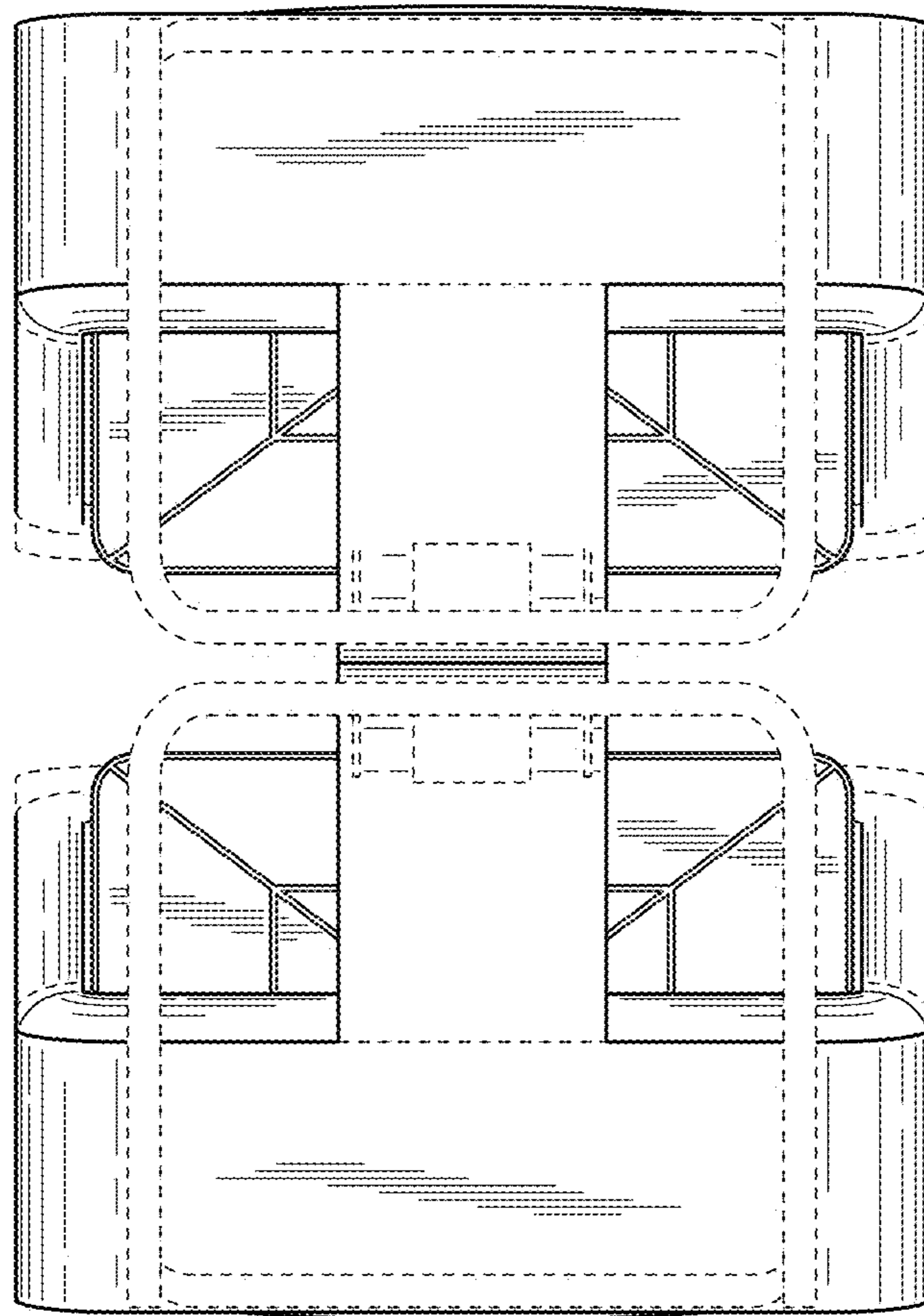


FIG. 5

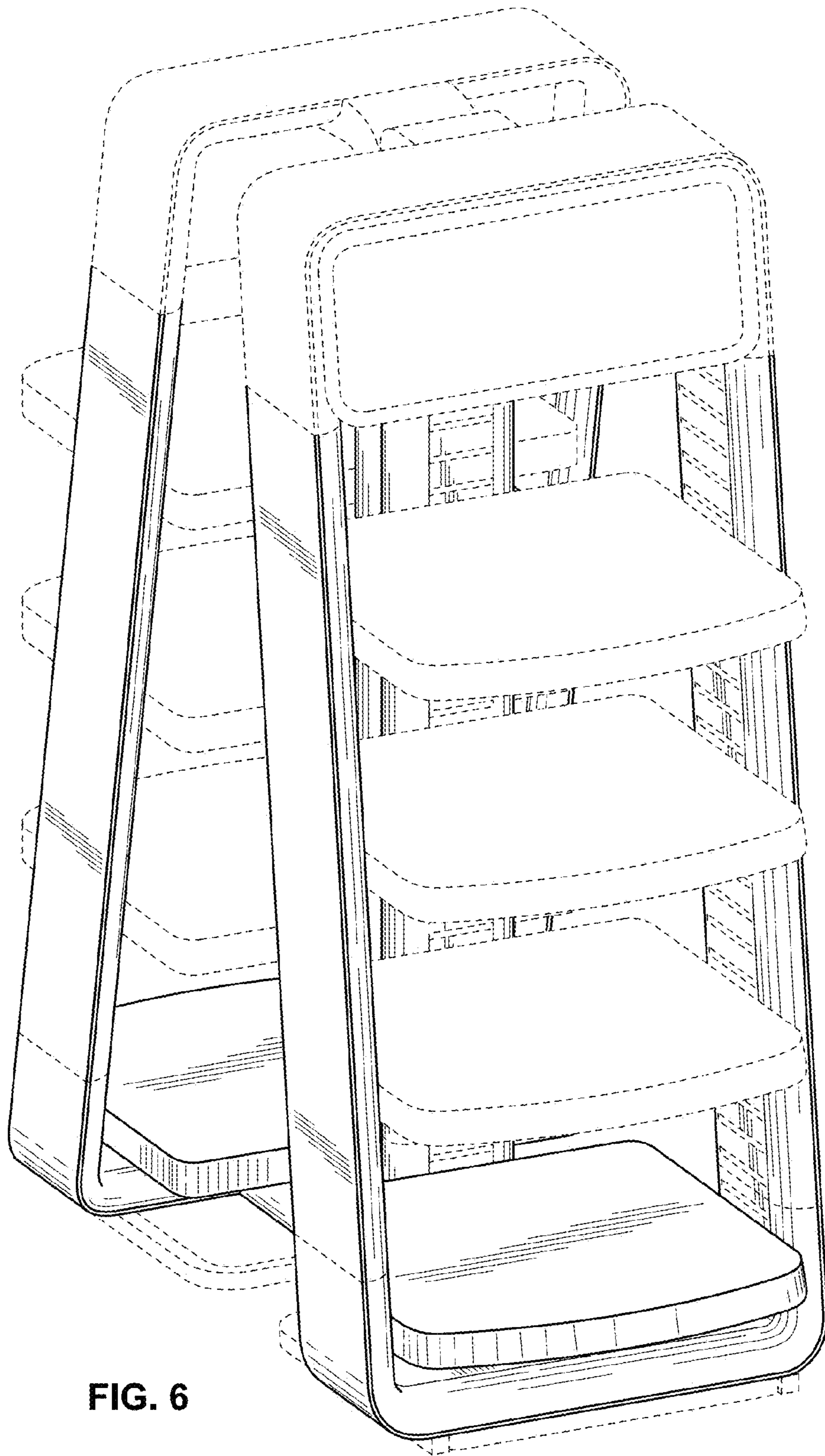


FIG. 6

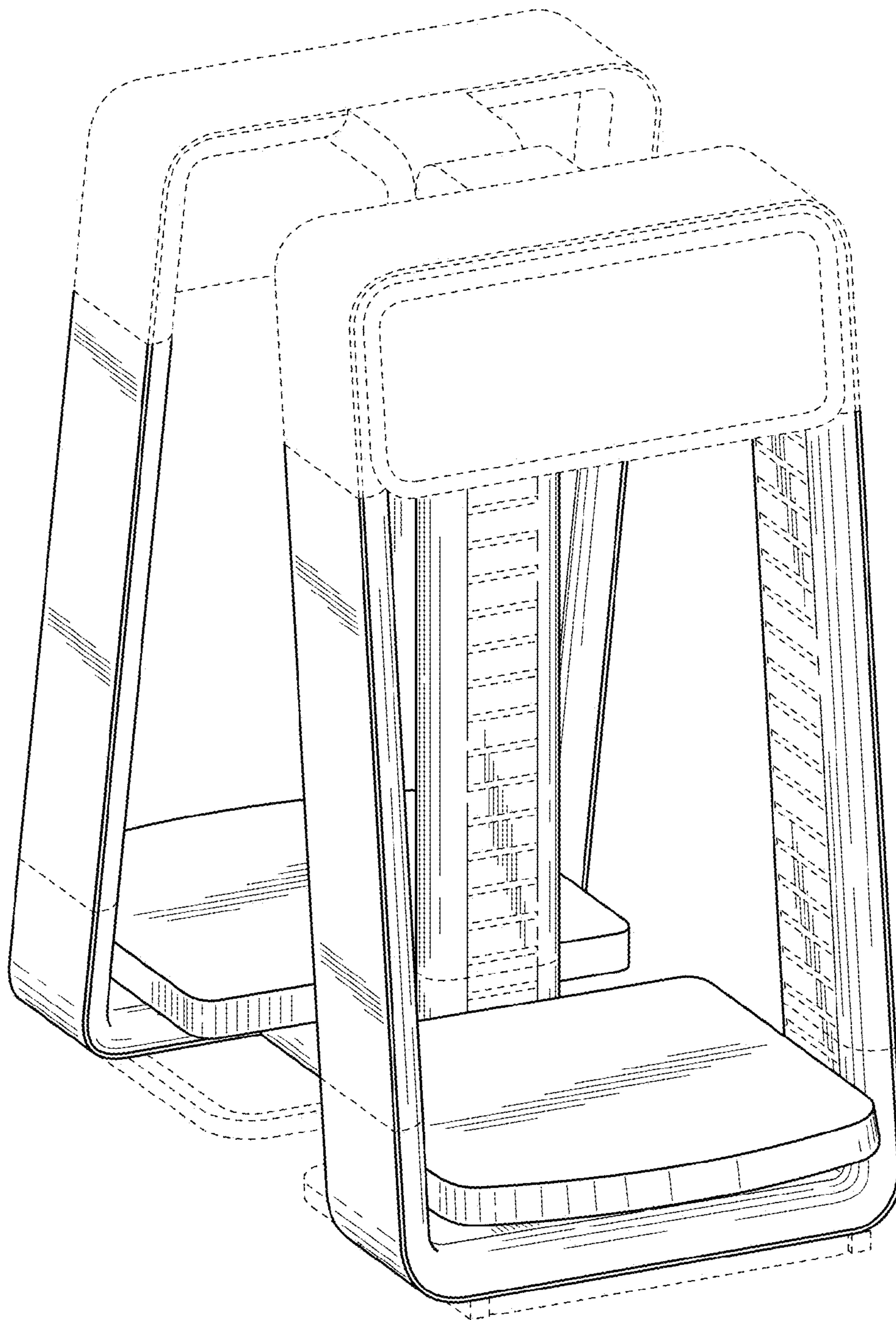


FIG. 7



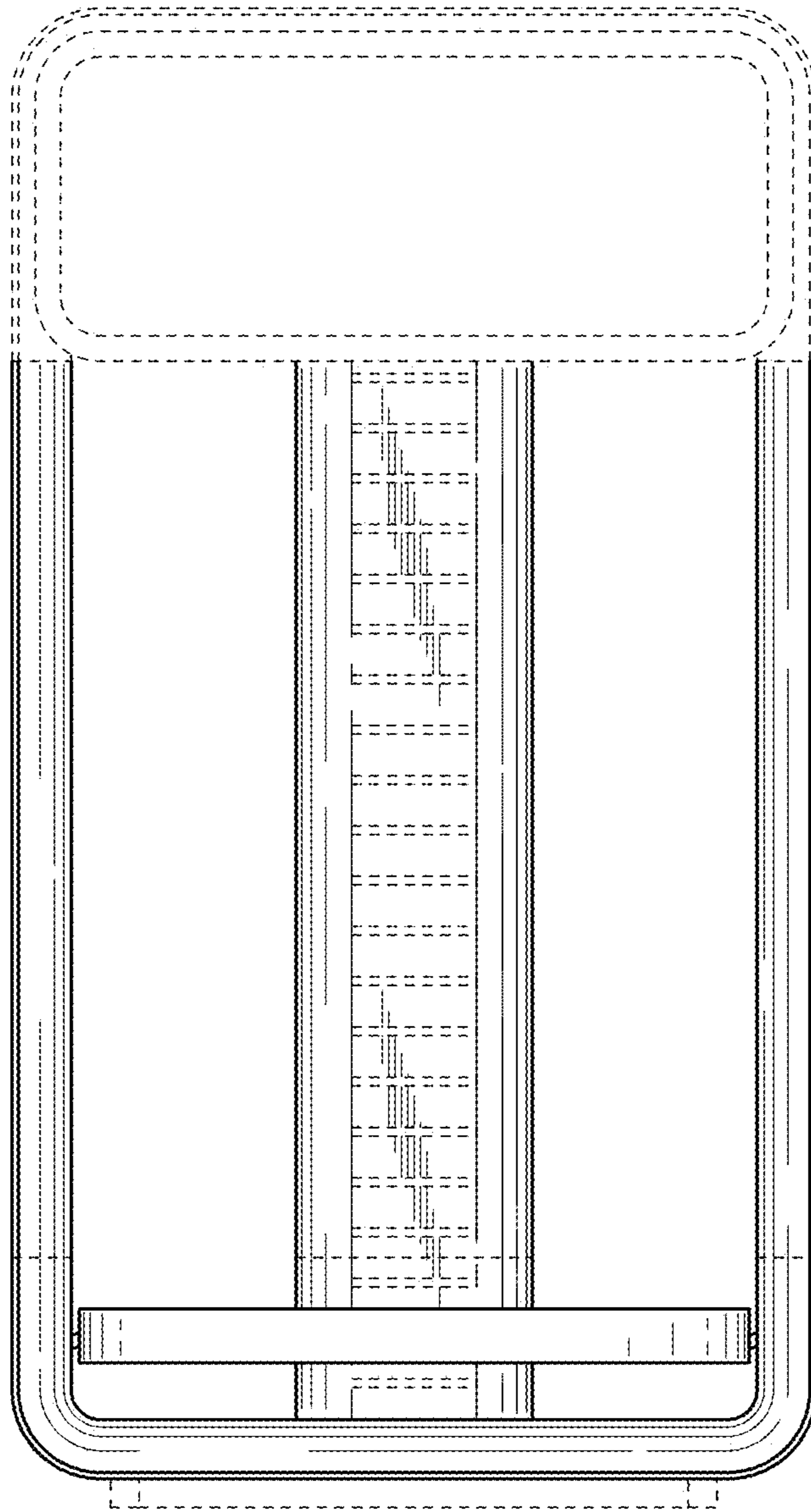


FIG. 8

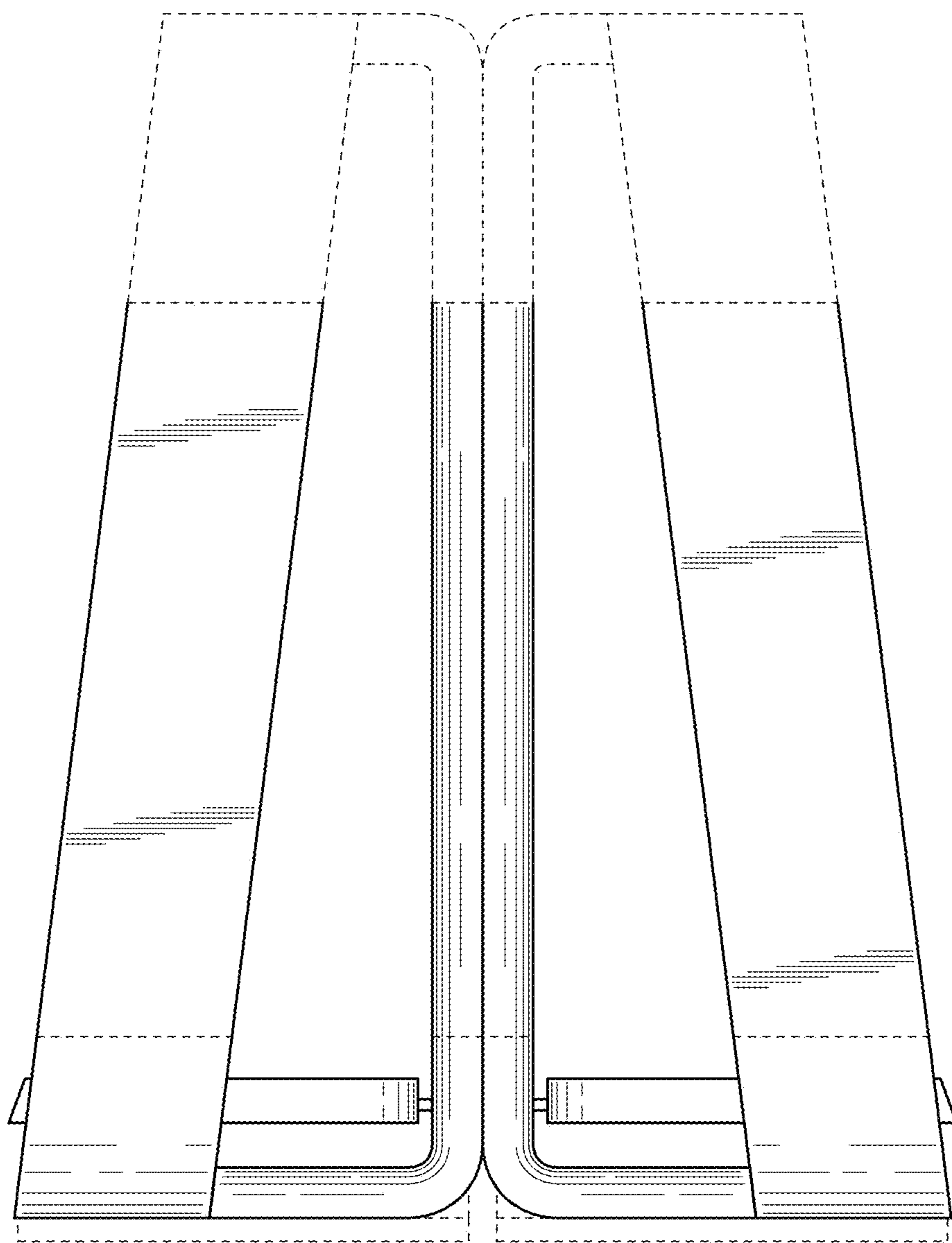


FIG. 9

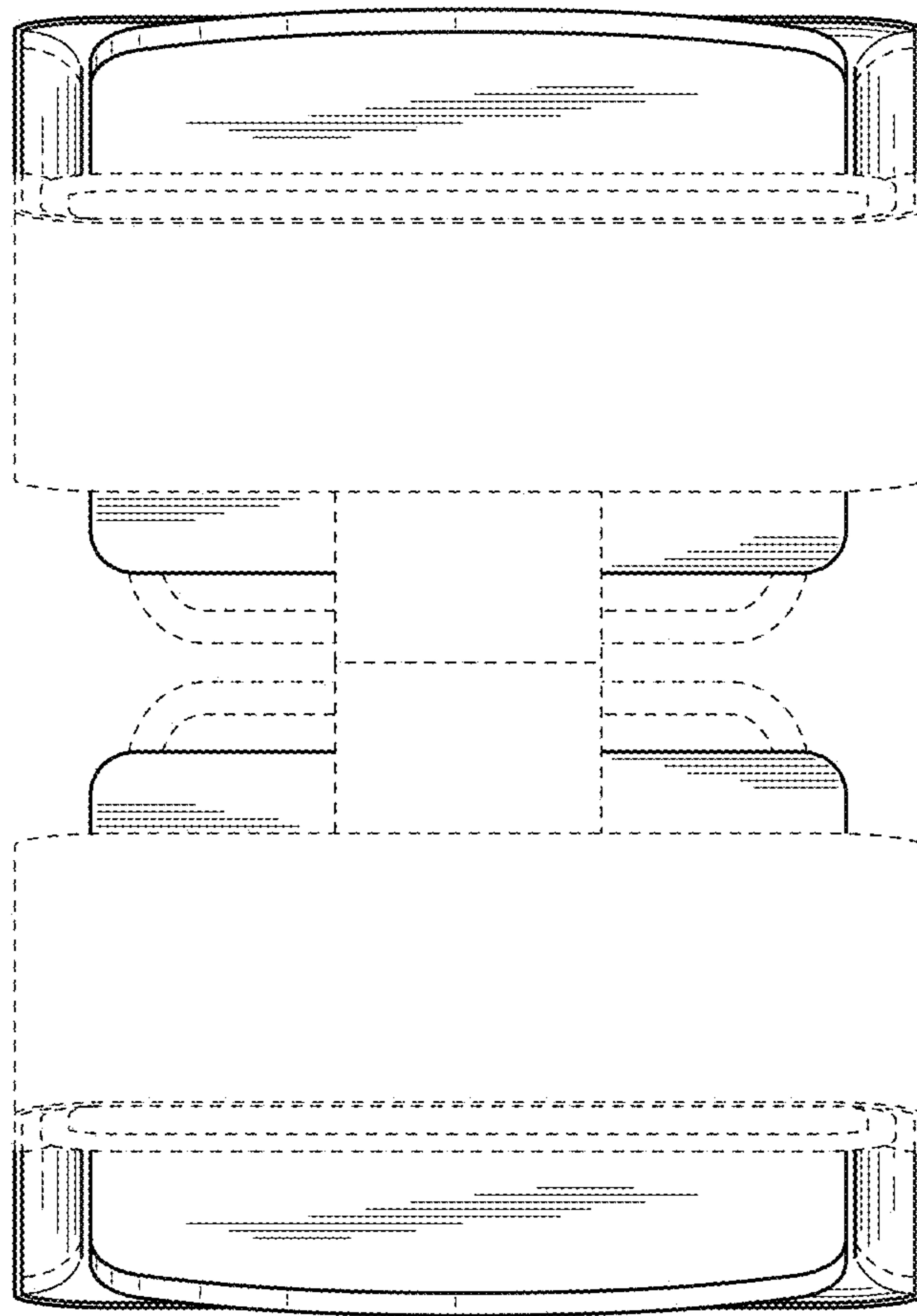


FIG. 10

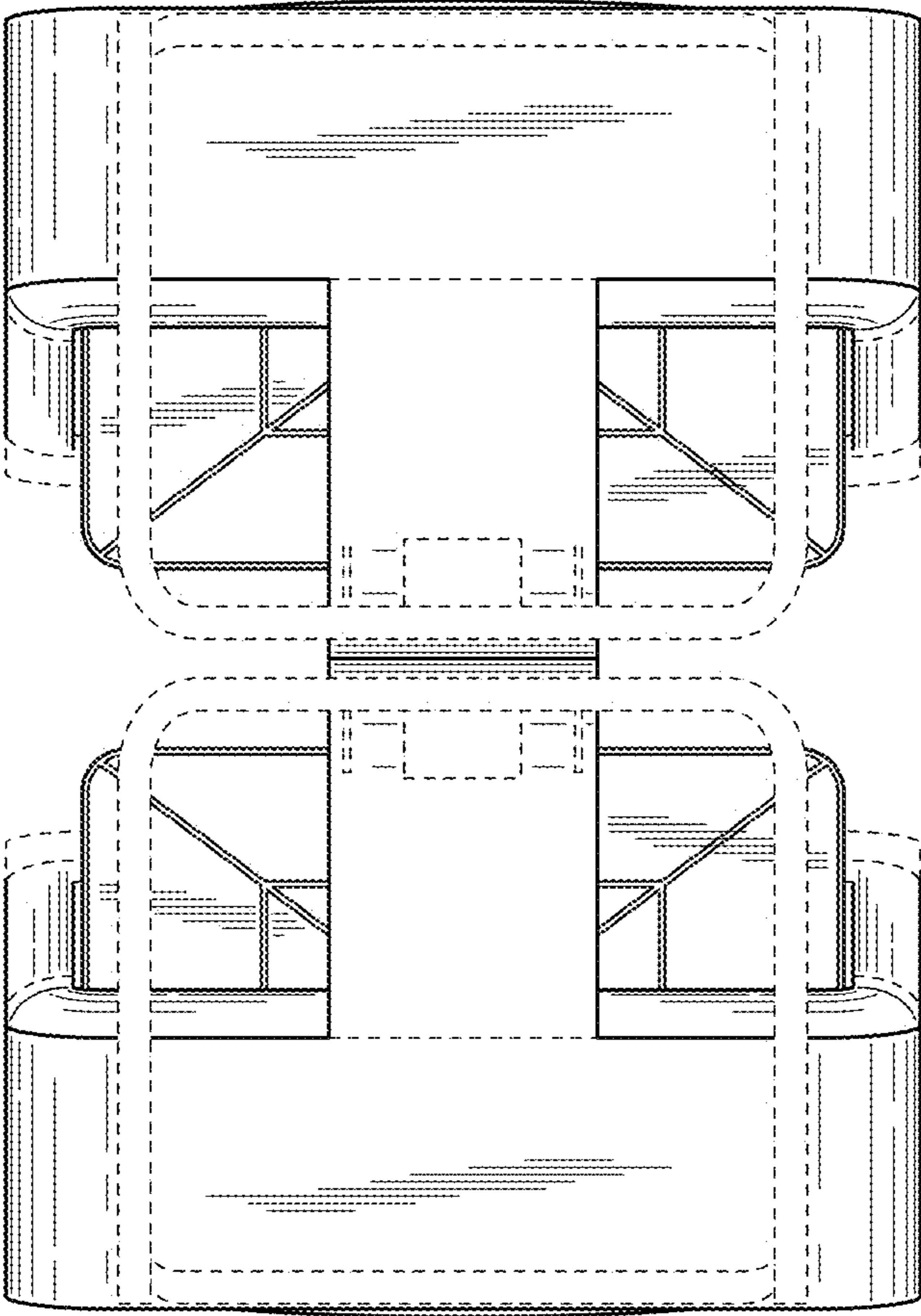


FIG. 11



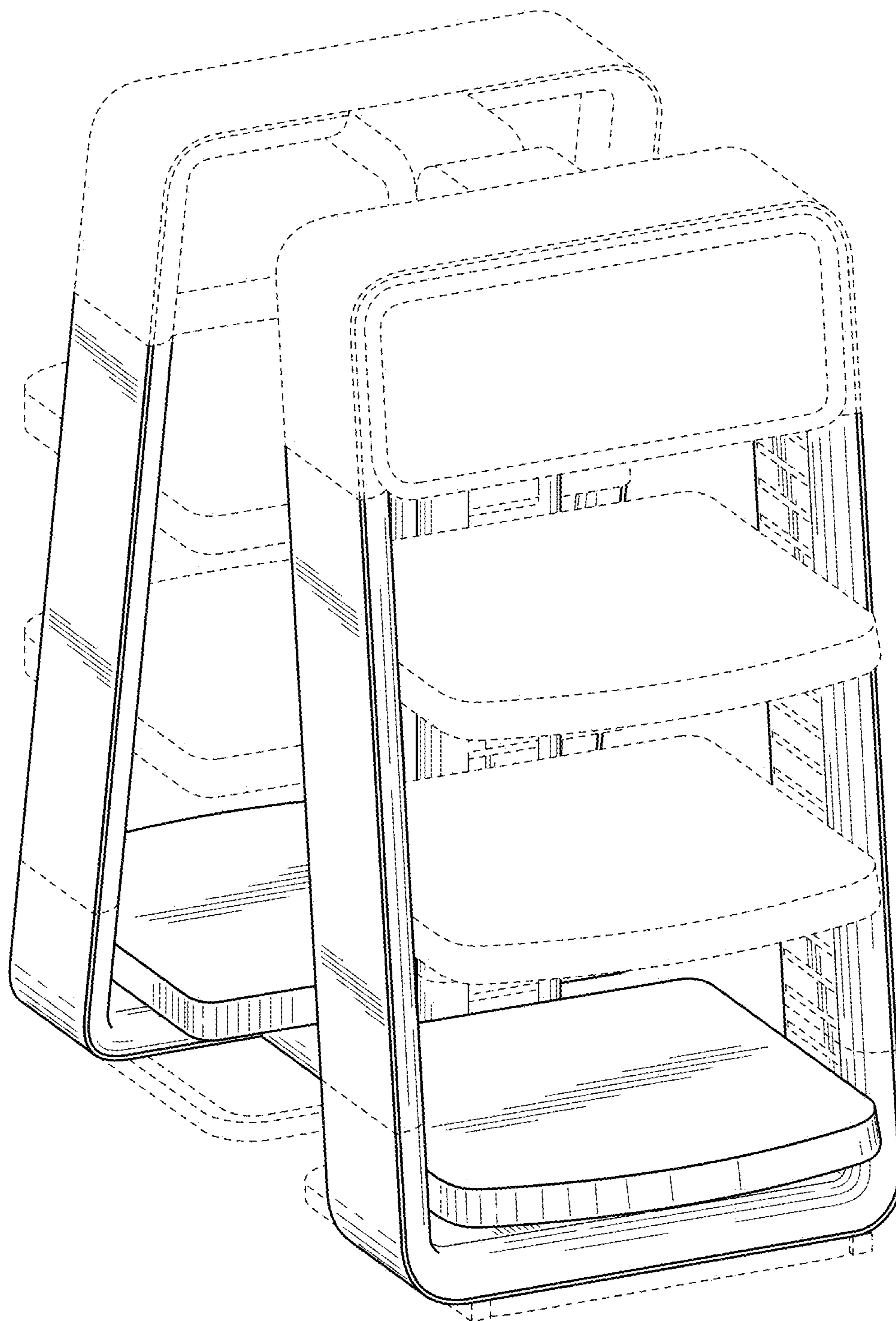


FIG. 12