



US00D695553S

(12) **United States Design Patent**
Voron et al.

(10) **Patent No.:** **US D695,553 S**

(45) **Date of Patent:** **** Dec. 17, 2013**

(54) **RACK**

(71) Applicants: **Vincent Voron**, Duluth, GA (US);
Christine Naples, Atlanta, GA (US);
Patrick McEneany, Agoura Hills, CA
(US); **Elisabeth Michaela Schwartz**,
Munich (DE)

(72) Inventors: **Vincent Voron**, Duluth, GA (US);
Christine Naples, Atlanta, GA (US);
Patrick McEneany, Agoura Hills, CA
(US); **Elisabeth Michaela Schwartz**,
Munich (DE)

(73) Assignee: **The Coca-Cola Company**, Atlanta, GA
(US)

(**) Term: **14 Years**

(21) Appl. No.: **29/444,337**

(22) Filed: **Jan. 29, 2013**

(51) **LOC (9) Cl.** **06-06**

(52) **U.S. Cl.**
USPC **D6/675.4**

(58) **Field of Classification Search**
USPC D6/396, 407, 429, 449, 455–457,
D6/460–463, 465, 468, 474, 478–479, 509,
D6/514, 672–673, 675–675.1,
D6/675.3–675.4; 211/13.1, 41.1, 71.01,
211/85.3, 85.4, 59.2, 126.12, 126.1, 133.1
See application file for complete search history.

(56) **References Cited**

U.S. PATENT DOCUMENTS

D253,444 S	*	11/1979	Mathus et al.	D6/407
4,228,902 A	*	10/1980	Schulte	211/41.18
D319,741 S	*	9/1991	Sylvester	D6/407
D391,113 S	*	2/1998	Marhefka	D6/629
5,730,300 A	*	3/1998	Chen	211/40

D400,389 S	*	11/1998	Lu	D6/629
D413,478 S	*	9/1999	Yeh	D6/629
D427,475 S	*	7/2000	Hwang	D6/630
D427,837 S	*	7/2000	Nemeth	D6/630
6,145,673 A	*	11/2000	Burrows et al.	211/41.18
D441,246 S	*	5/2001	Chow et al.	D6/630
D443,791 S	*	6/2001	Martino	D6/630
D448,598 S	*	10/2001	Mok et al.	D6/630
6,899,235 B2	*	5/2005	Hassett	211/40
D521,793 S	*	5/2006	Lau	D6/630

* cited by examiner

Primary Examiner — Kelley Donnelly

(74) *Attorney, Agent, or Firm* — McAndrews Held & Malloy, Ltd.

(57) **CLAIM**

The ornamental design for a rack, as shown and described.

DESCRIPTION

FIG. 1 is a front left perspective view of a first embodiment of a rack showing our new design;

FIG. 2 is a front elevation view thereof; the rear elevation view being a mirror image thereof;

FIG. 3 is a left-side elevation view thereof; the right-side elevation view being a mirror image thereof;

FIG. 4 is a top plan view thereof;

FIG. 5 is a front left perspective view thereof;

FIG. 6 is a front left perspective view of a second embodiment of a rack showing our new design;

FIG. 7 is a front elevation view thereof; the rear elevation view being a mirror image thereof;

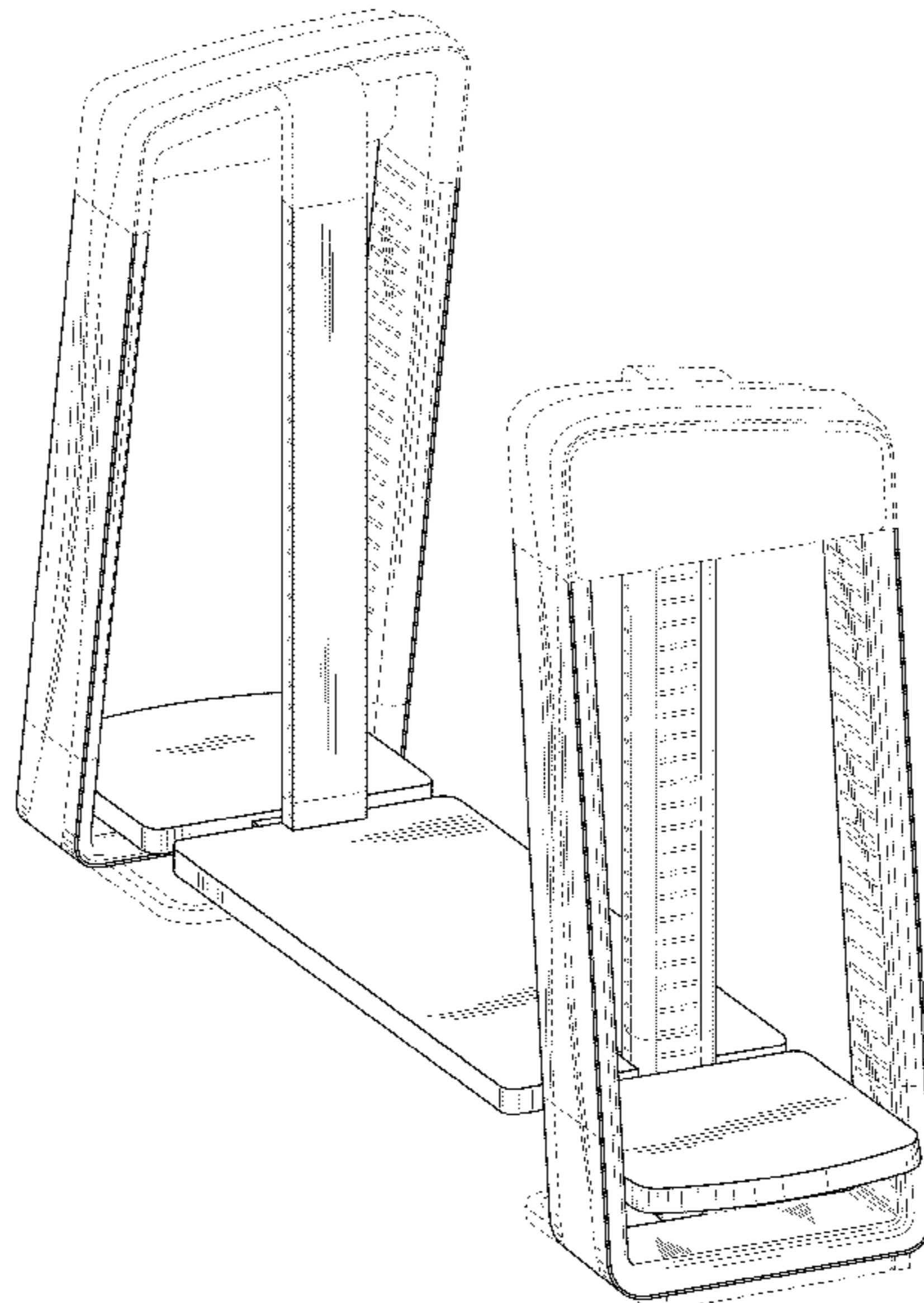
FIG. 8 is a left-side elevation view thereof; the right-side elevation view being a mirror image thereof;

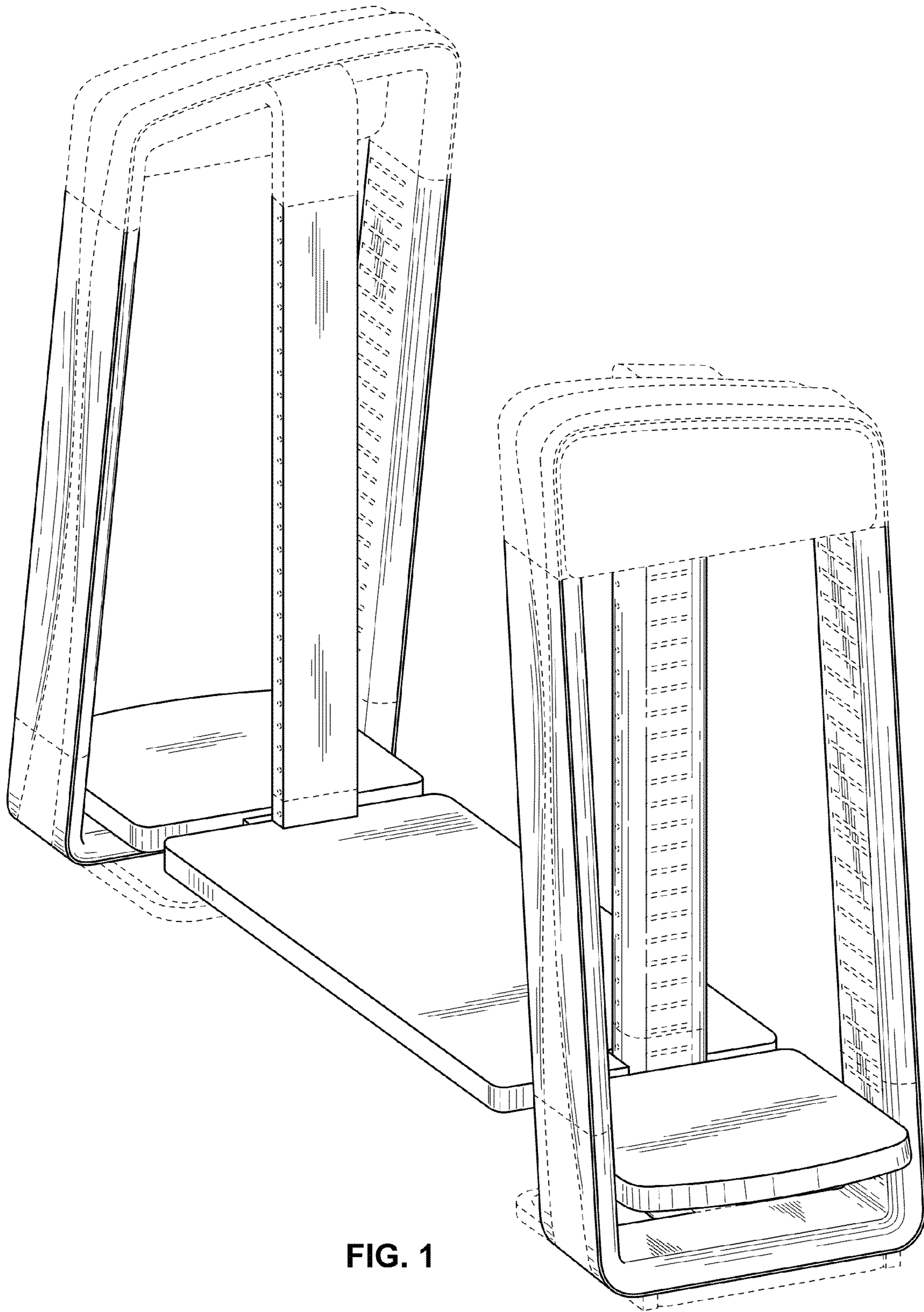
FIG. 9 is a top plan view thereof; and,

FIG. 10 is a front left perspective view thereof.

The broken lines are directed to environment and are for illustrative purposes only. The broken lines form no part of the claimed design.

1 Claim, 10 Drawing Sheets





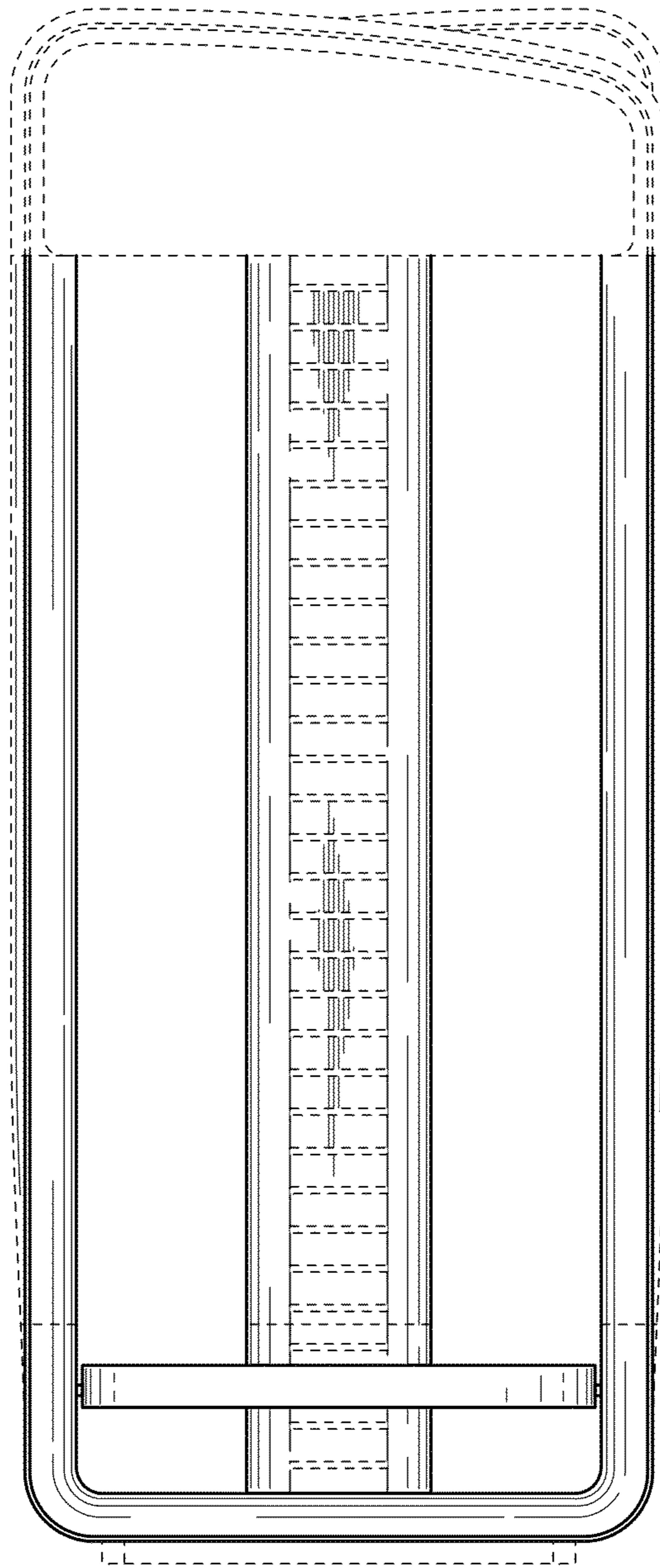


FIG. 2

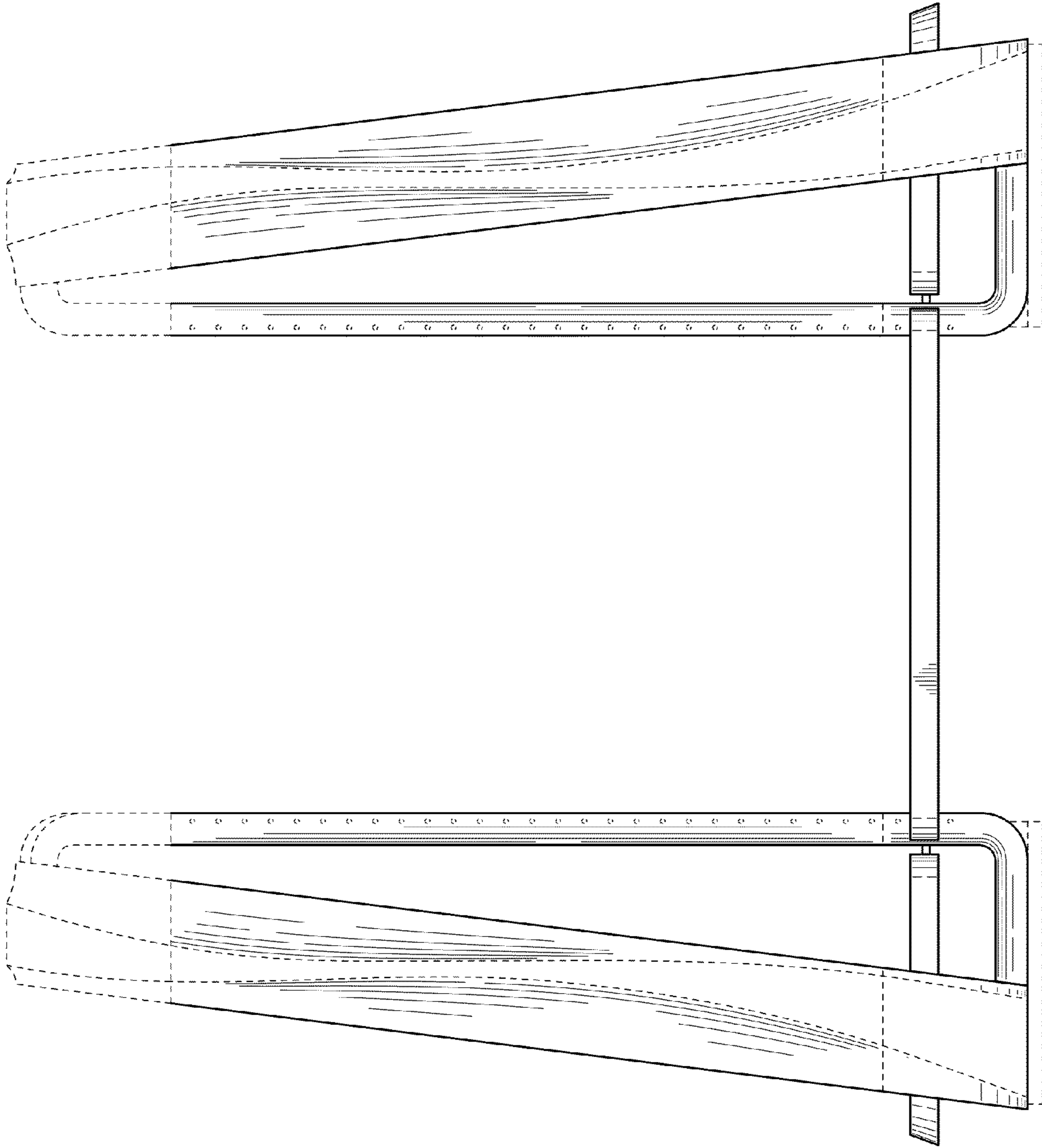


FIG. 3

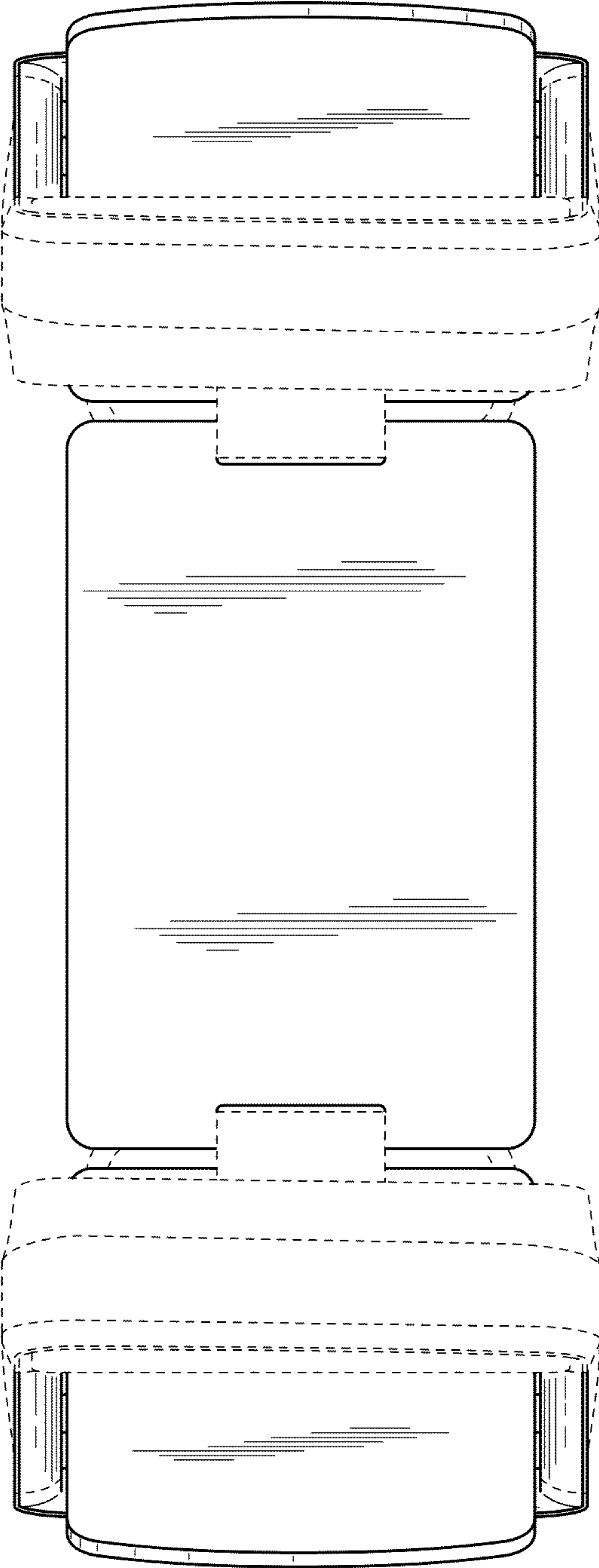


FIG. 4

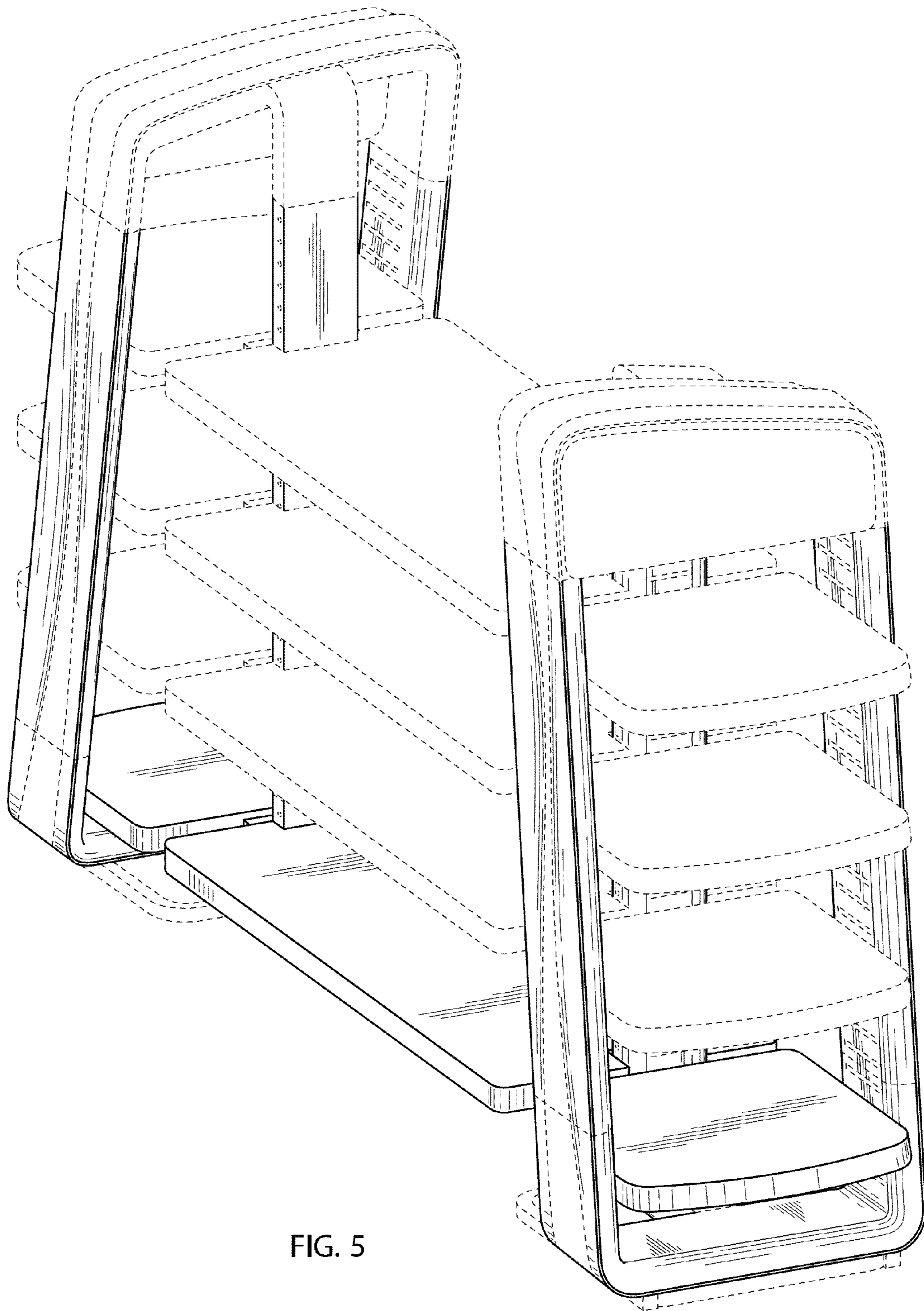


FIG. 5

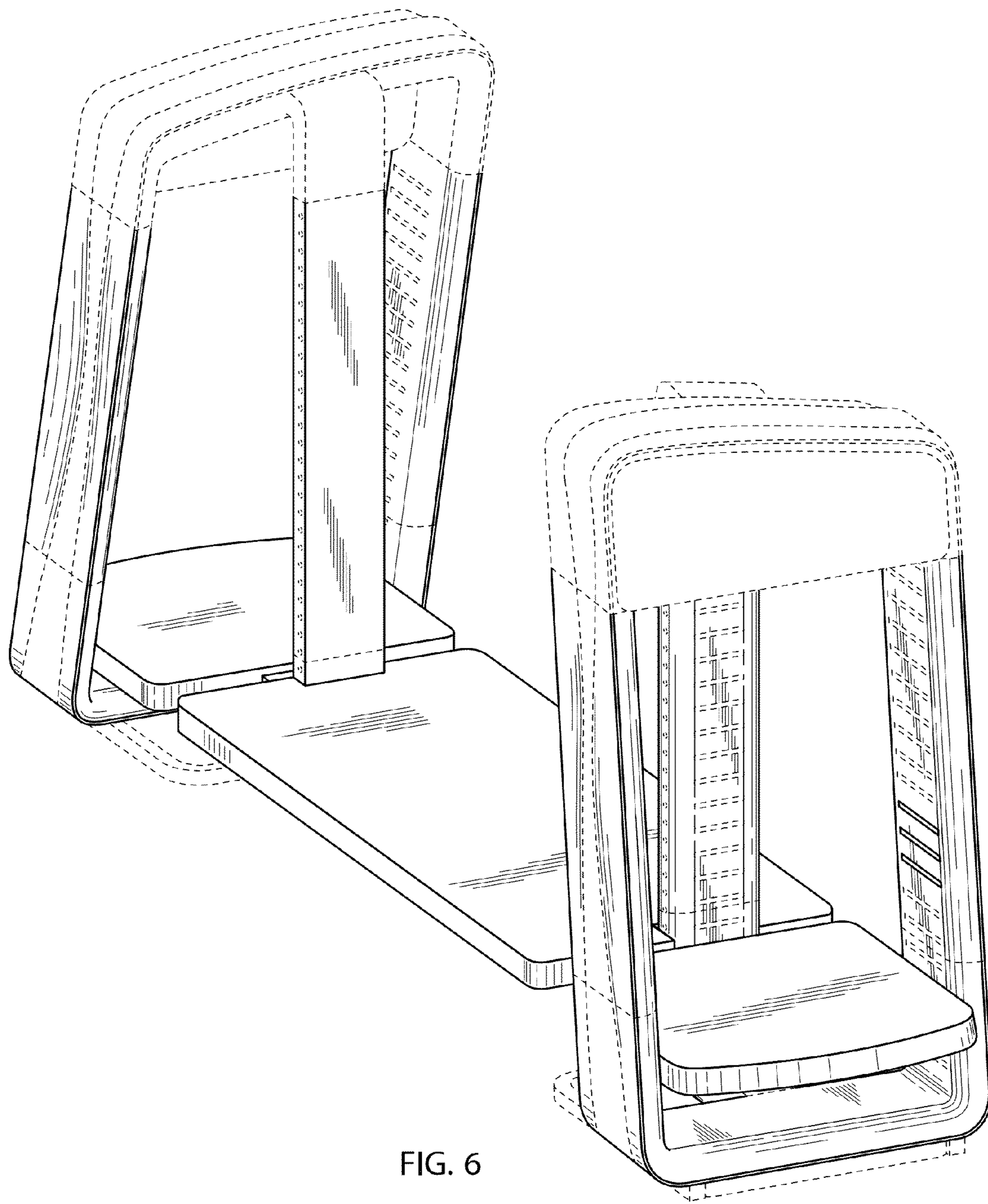


FIG. 6

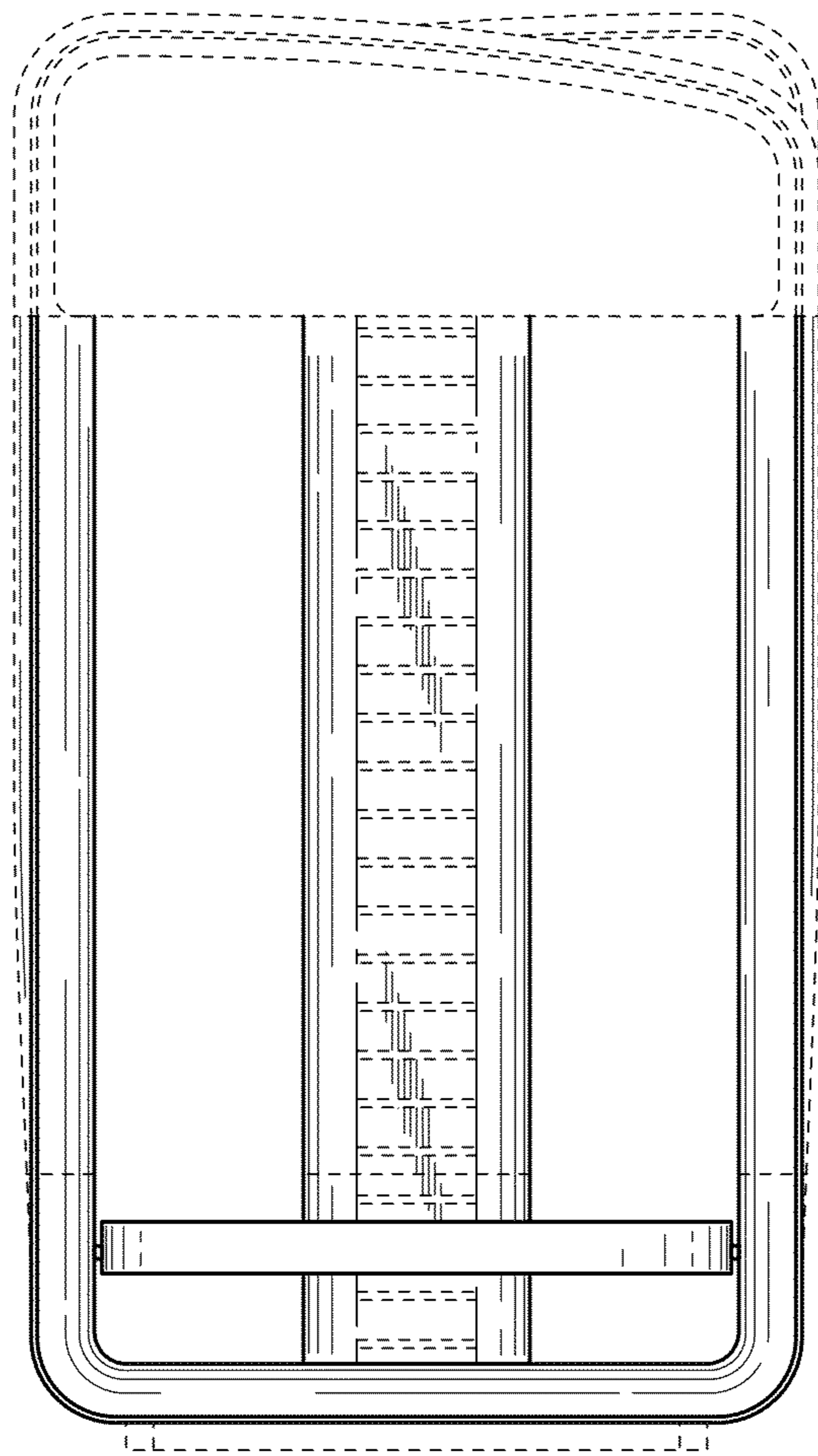


FIG. 7

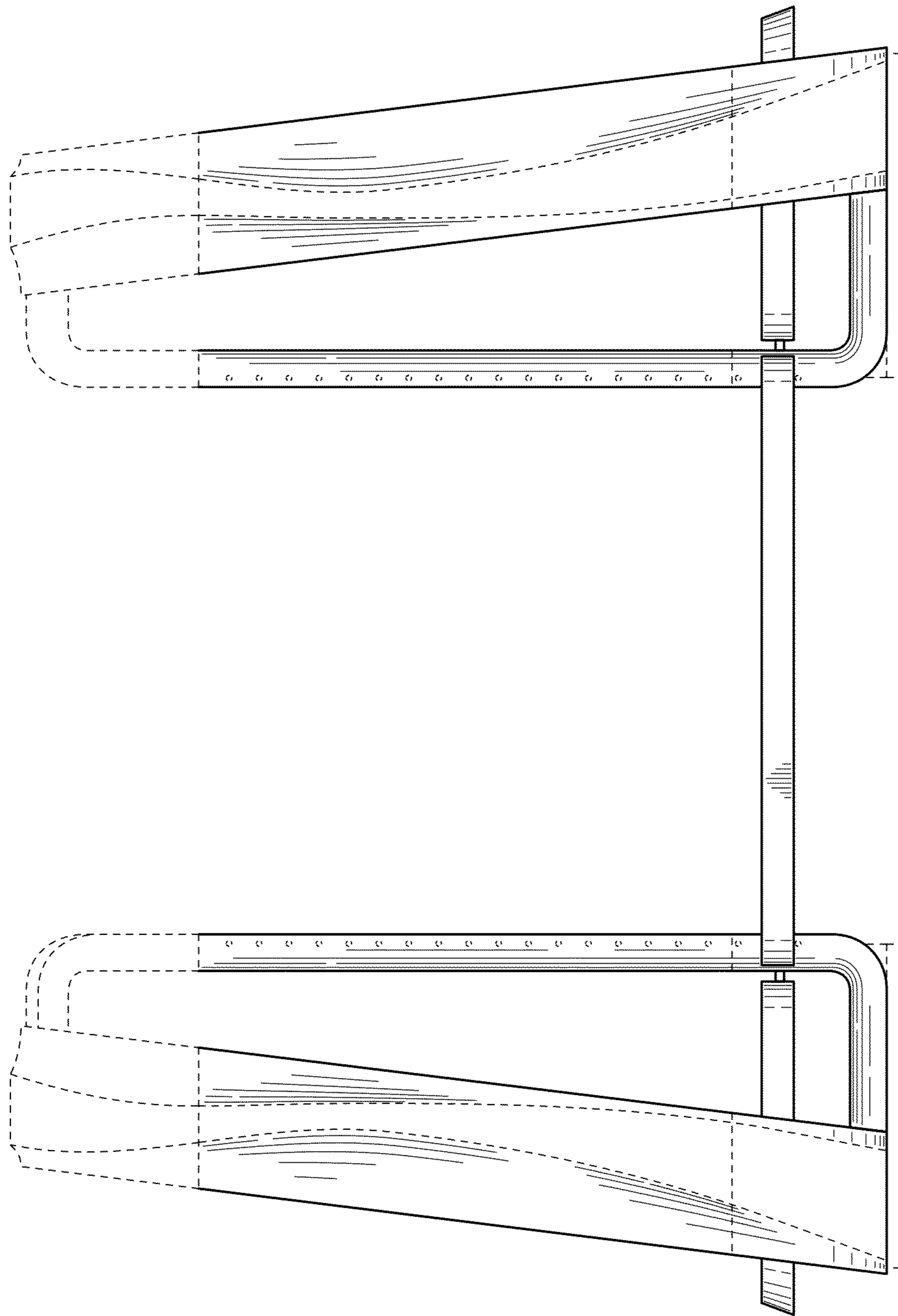


FIG. 8

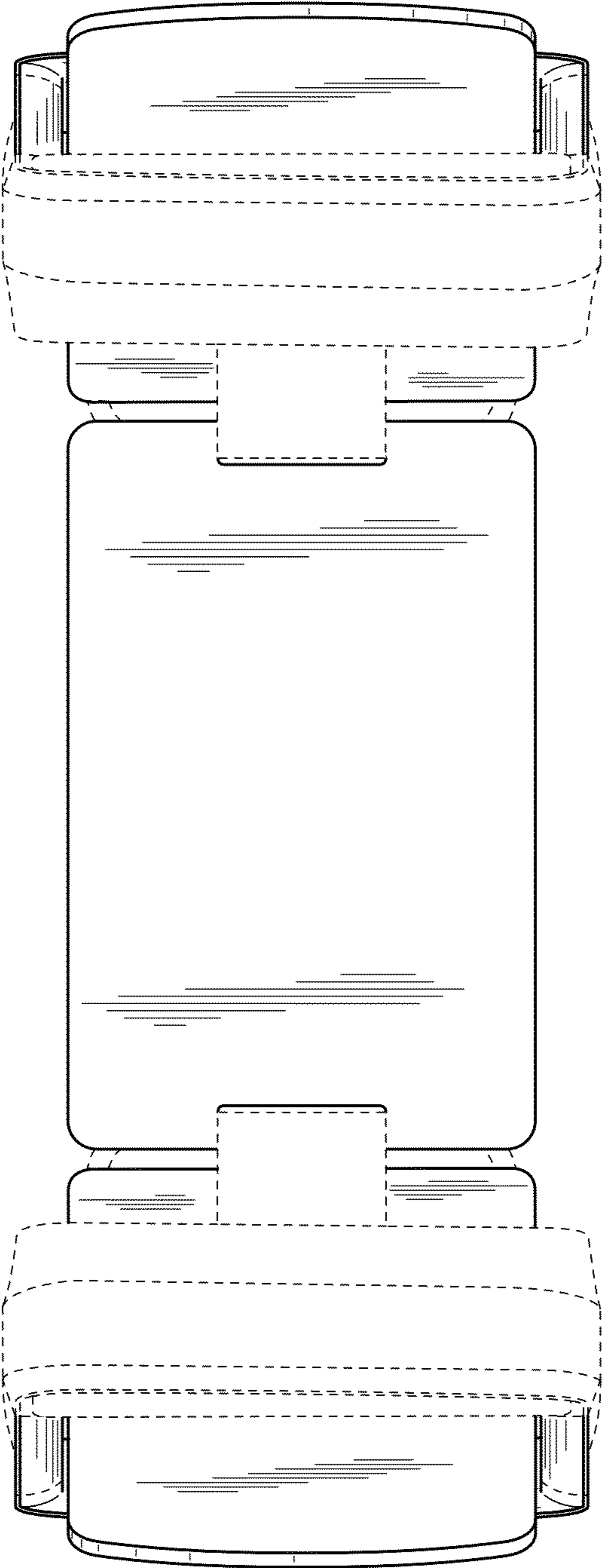


FIG. 9

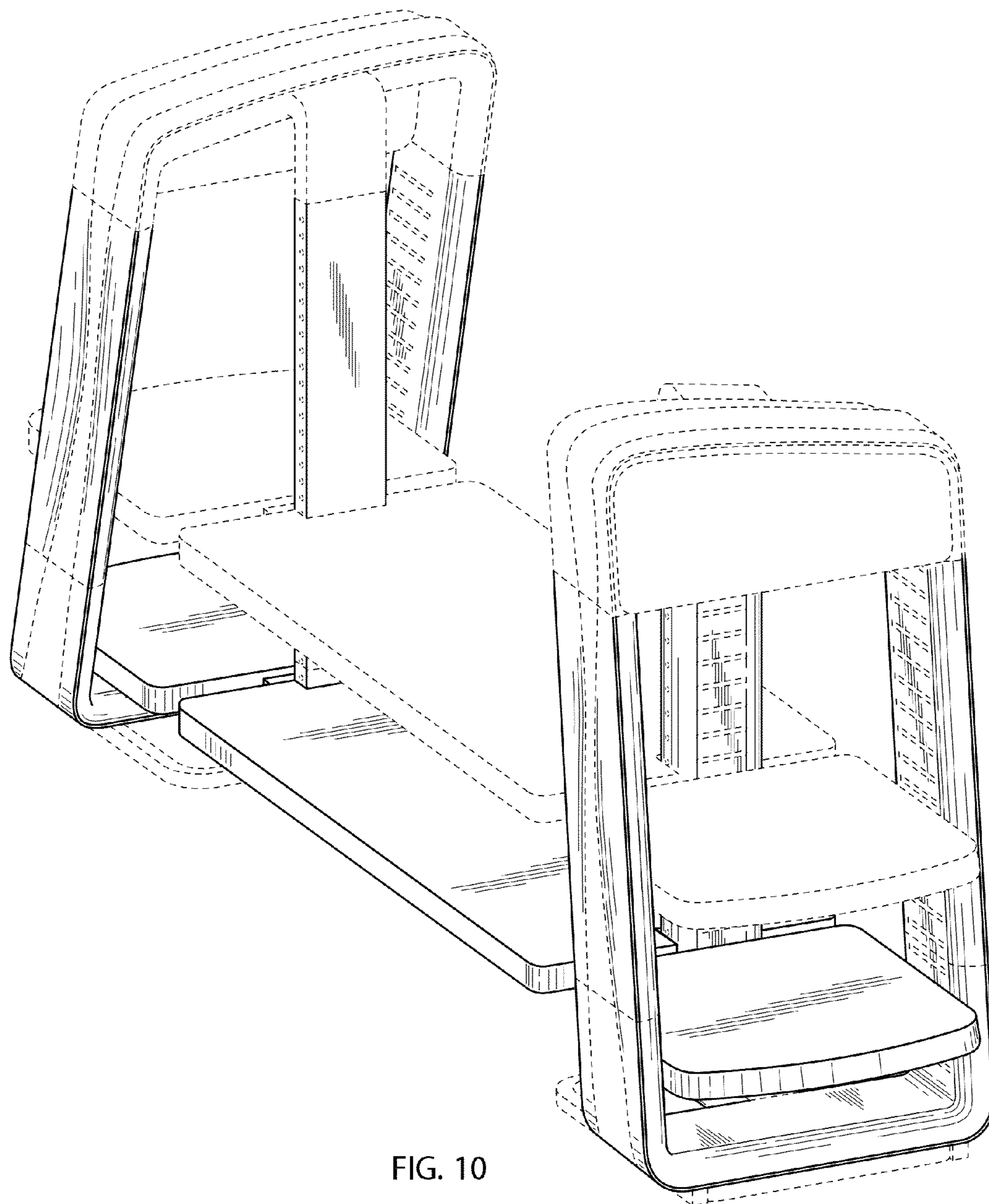


FIG. 10