

US00D695546S

(12) **United States Design Patent**  
**Kruger et al.**

(10) **Patent No.:** **US D695,546 S**  
(45) **Date of Patent:** **\*\* Dec. 17, 2013**

(54) **TOOTHBRUSH HOLDER**

(71) Applicants: **Gary I. Kruger**, Bath Township, OH (US); **Susan Kruger**, Bath Township, OH (US)

(72) Inventors: **Gary I. Kruger**, Bath Township, OH (US); **Susan Kruger**, Bath Township, OH (US)

(\*\*) Term: **14 Years**

(21) Appl. No.: **29/442,408**

(22) Filed: **Feb. 25, 2013**

D273,257 S	4/1984	Barrera	
D277,814 S	3/1985	Thompson	
4,573,569 A	3/1986	Parker	
D291,268 S *	8/1987	Stephenson .....	D6/534
D295,234 S	4/1988	Luhrsen	
4,967,914 A	11/1990	Keeton	
4,995,515 A	2/1991	Smith	
5,090,564 A	2/1992	Chimienti	
D327,194 S *	6/1992	Merkel .....	D6/534
D327,195 S	6/1992	Murphy	
D327,801 S	7/1992	Lee	
5,131,542 A	7/1992	Stenstrom	
D347,280 S	5/1994	Herrington	
D354,988 S	1/1995	Garza	
5,411,141 A	5/1995	Bounds	
D370,338 S	6/1996	Quist	
5,681,539 A	10/1997	Riley	

(Continued)

**Related U.S. Application Data**

(63) Continuation-in-part of application No. 11/984,449, filed on Nov. 19, 2007, now Pat. No. 8,464,868.

(51) **LOC (9) Cl.** ..... **23-02**

(52) **U.S. Cl.**  
USPC ..... **D6/534**

(58) **Field of Classification Search**  
USPC ..... D6/524, 526, 527, 528; 206/208, 228, 206/209, 209.1, 361, 362, 362.1, 362.2, 206/362.3; 211/13.1, 66, 70.6, 86.01, 87.01  
See application file for complete search history.

(56) **References Cited**

**U.S. PATENT DOCUMENTS**

72,009 A	12/1867	Foster
200,083 A	2/1878	Oviatt
1,584,206 A	5/1926	Balin
D167,891 S	10/1952	Hallward
2,629,499 A	2/1953	Welshenbach
2,664,005 A	12/1953	Kosinski
3,366,232 A	1/1968	Elfstrom
3,489,268 A	1/1970	Meierhoefer
3,837,477 A	9/1974	Boudreau
D248,907 S	8/1978	Yang
D253,736 S	12/1979	Guarino

**FOREIGN PATENT DOCUMENTS**

DE	202005021046	4/2007
GB	125916	5/1919
GB	2232581 A	12/1990

*Primary Examiner* — Brian N Vinson

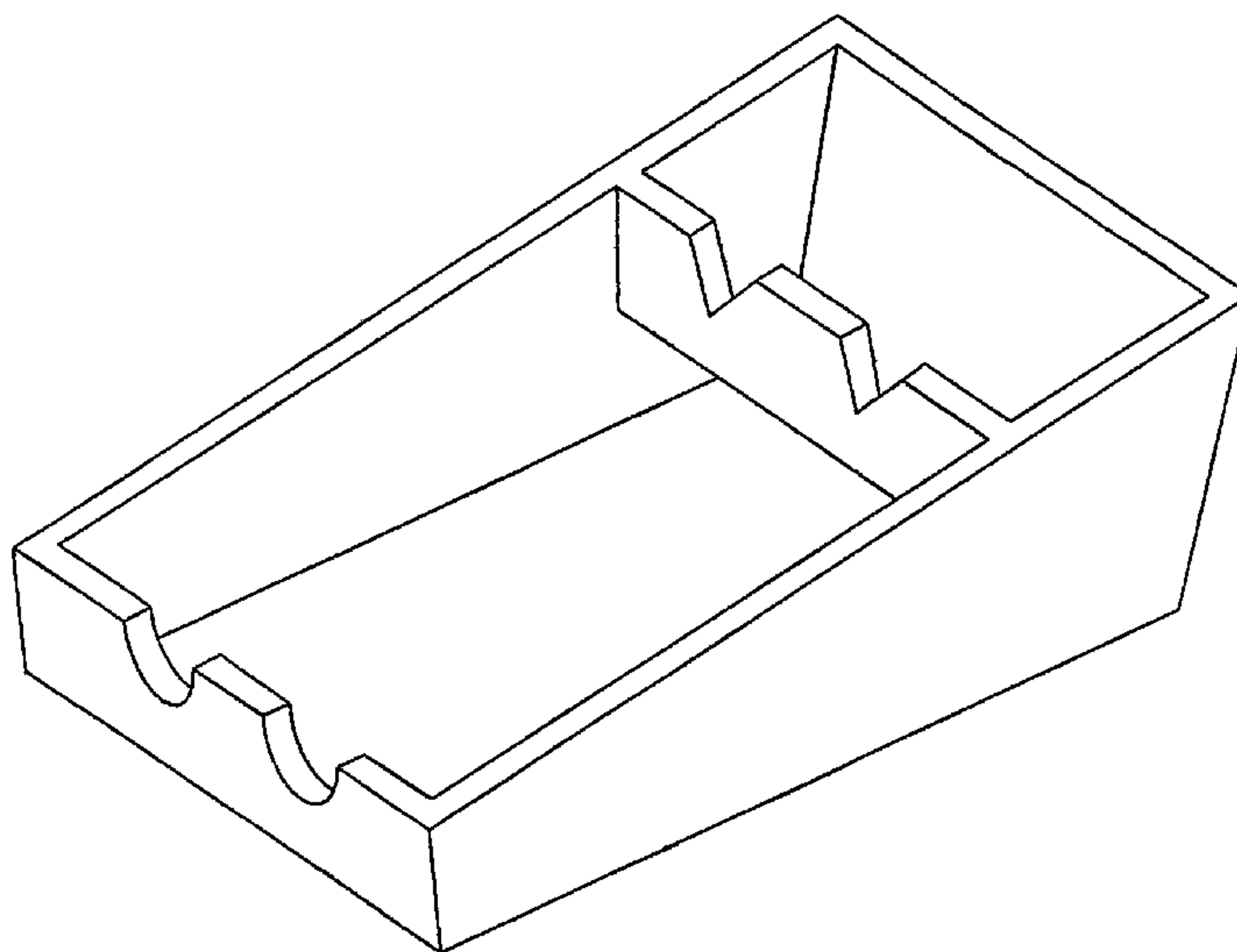
(57) **CLAIM**

The ornamental design for a toothbrush holder, as shown and described.

**DESCRIPTION**

FIG. 1 is a perspective view of a toothbrush holder showing our new design;  
FIG. 2 is a top plan view thereof;  
FIG. 3 is a right side elevational view thereof;  
FIG. 4 is a left side elevational view thereof;  
FIG. 5 is a front end elevational view thereof;  
FIG. 6 is a rear end elevational view thereof;  
FIG. 7 is a bottom view thereof; and,  
FIG. 8 is a top plan view thereof with the broken-line showing of a toothbrush being for illustrative purposes only and forming no part of the claimed design.

**1 Claim, 6 Drawing Sheets**



(56)

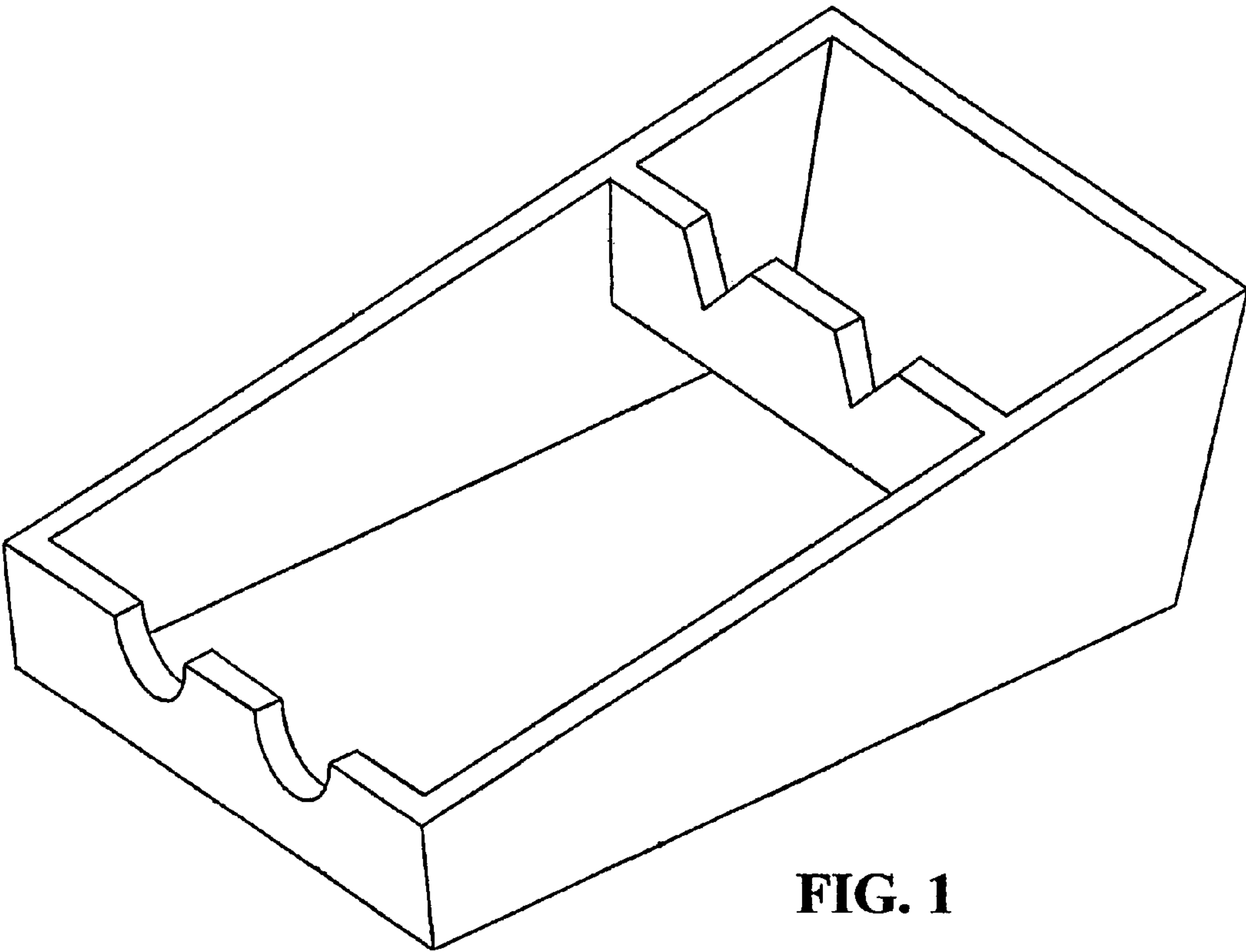
**References Cited**

U.S. PATENT DOCUMENTS

5,759,502 A 6/1998 Spencer  
5,769,245 A 6/1998 Butler  
D418,706 S 1/2000 Robishaw  
6,119,854 A 9/2000 Prentice

6,343,700 B1 2/2002 Slendebroek  
D481,572 S 11/2003 Dretzka  
6,758,446 B2 7/2004 Bjornrud  
D502,623 S 3/2005 Minard  
D504,587 S \* 5/2005 Root ..... D6/534  
D635,385 S \* 4/2011 Renault ..... D6/534  
2003/0034315 A1 2/2003 Tayebi

\* cited by examiner



**FIG. 1**

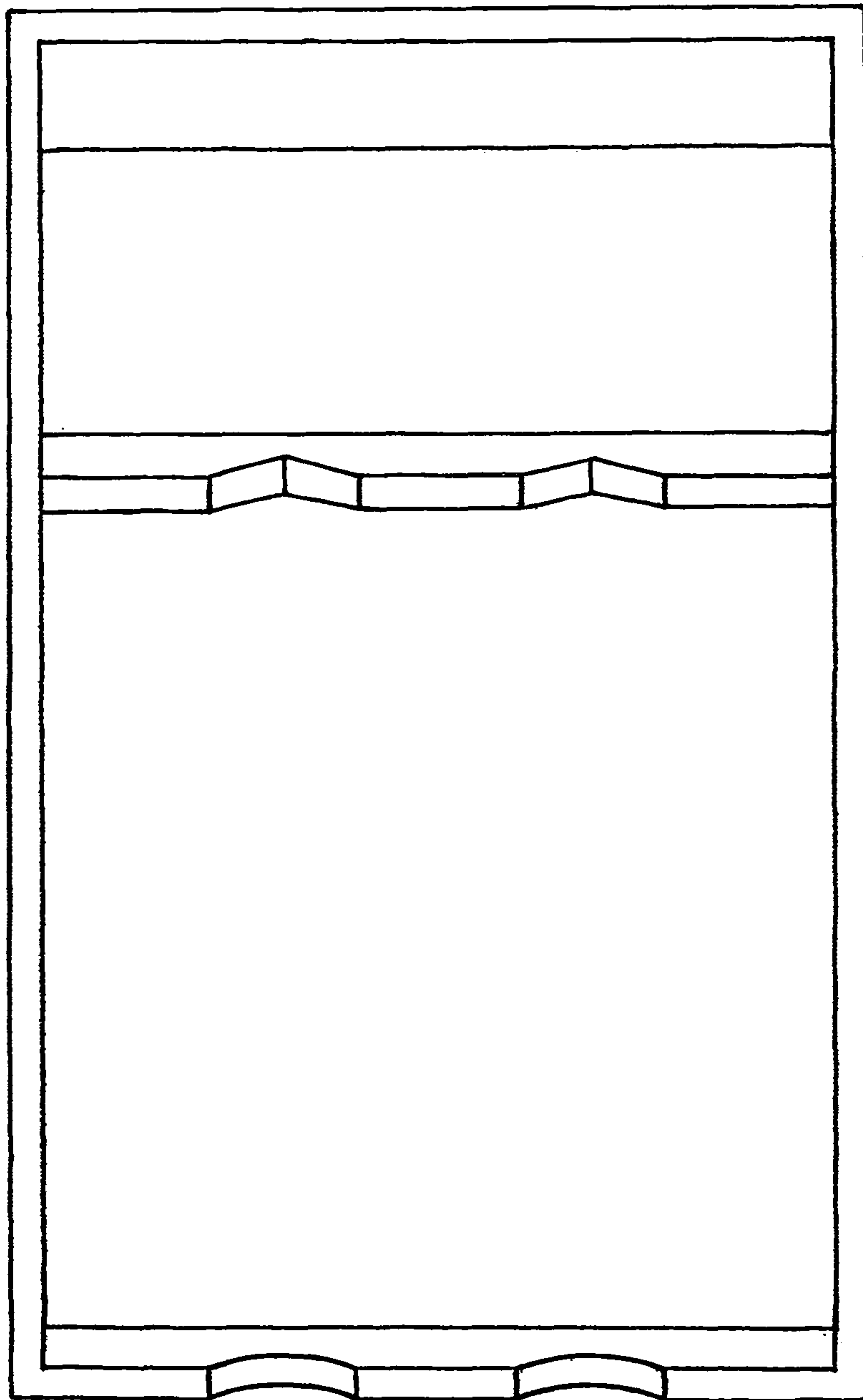
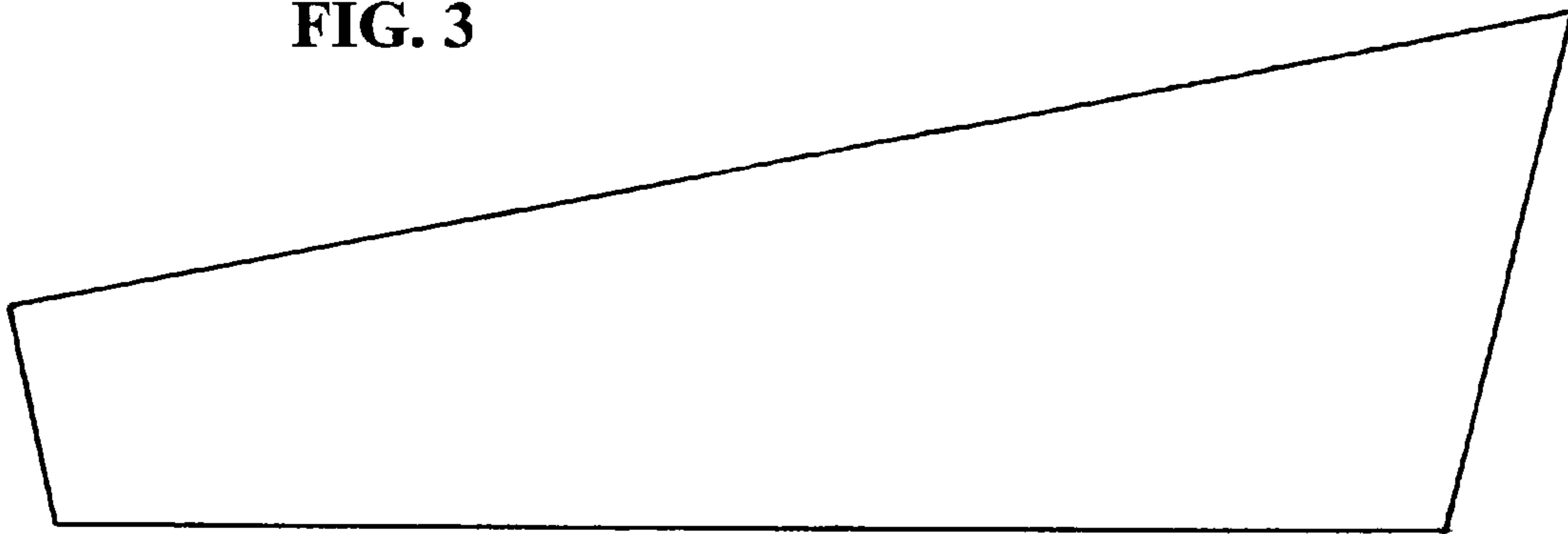
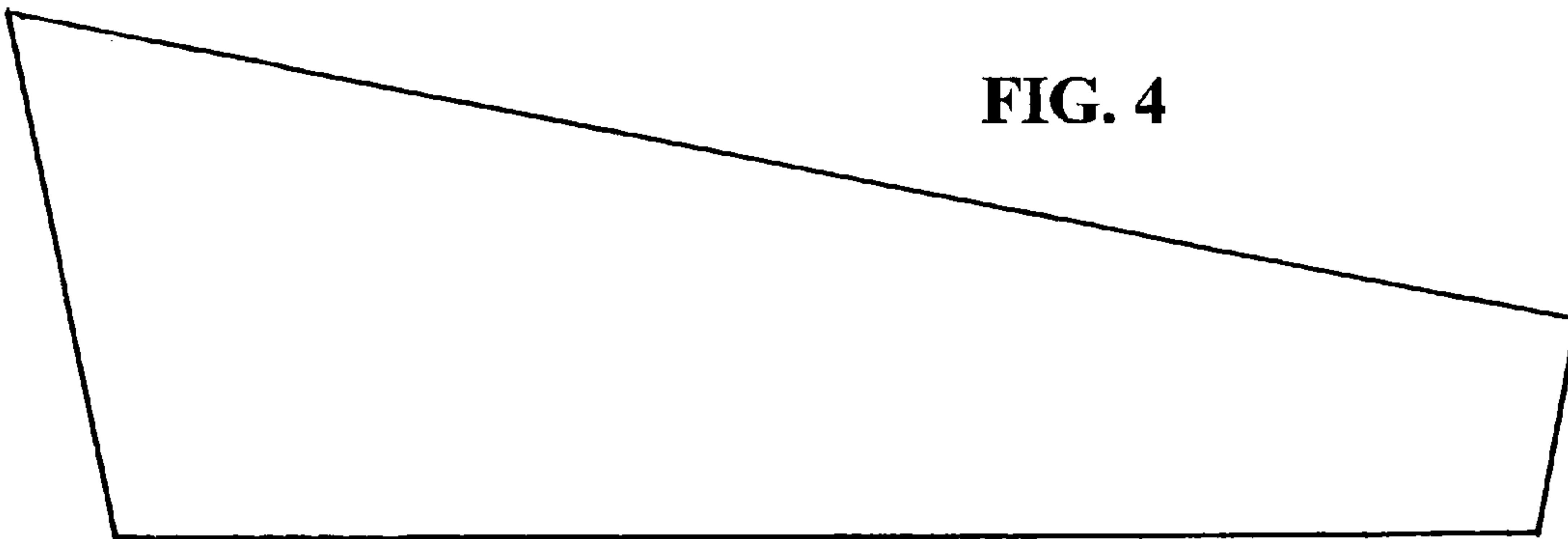


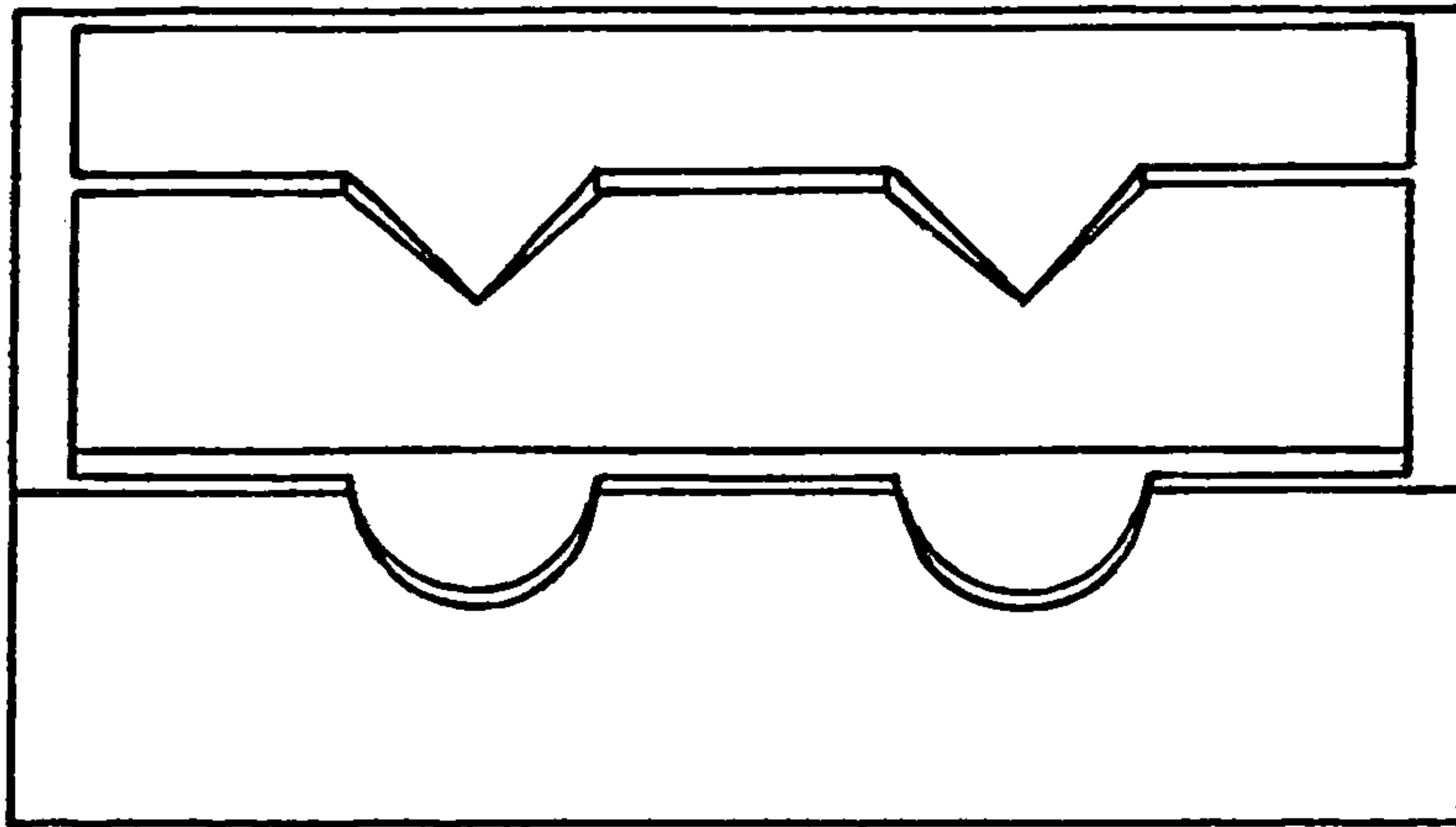
FIG. 2

**FIG. 3**

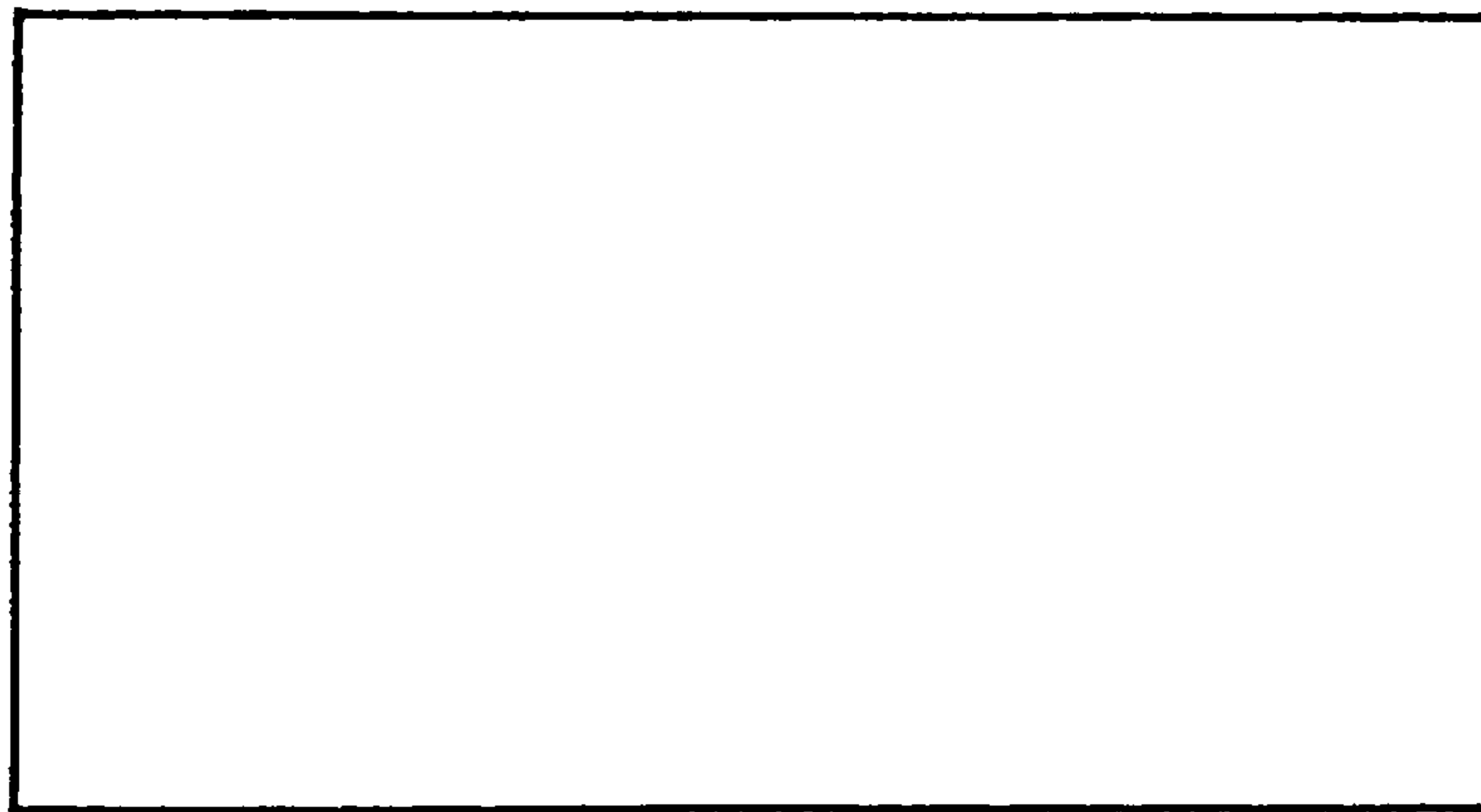


**FIG. 4**

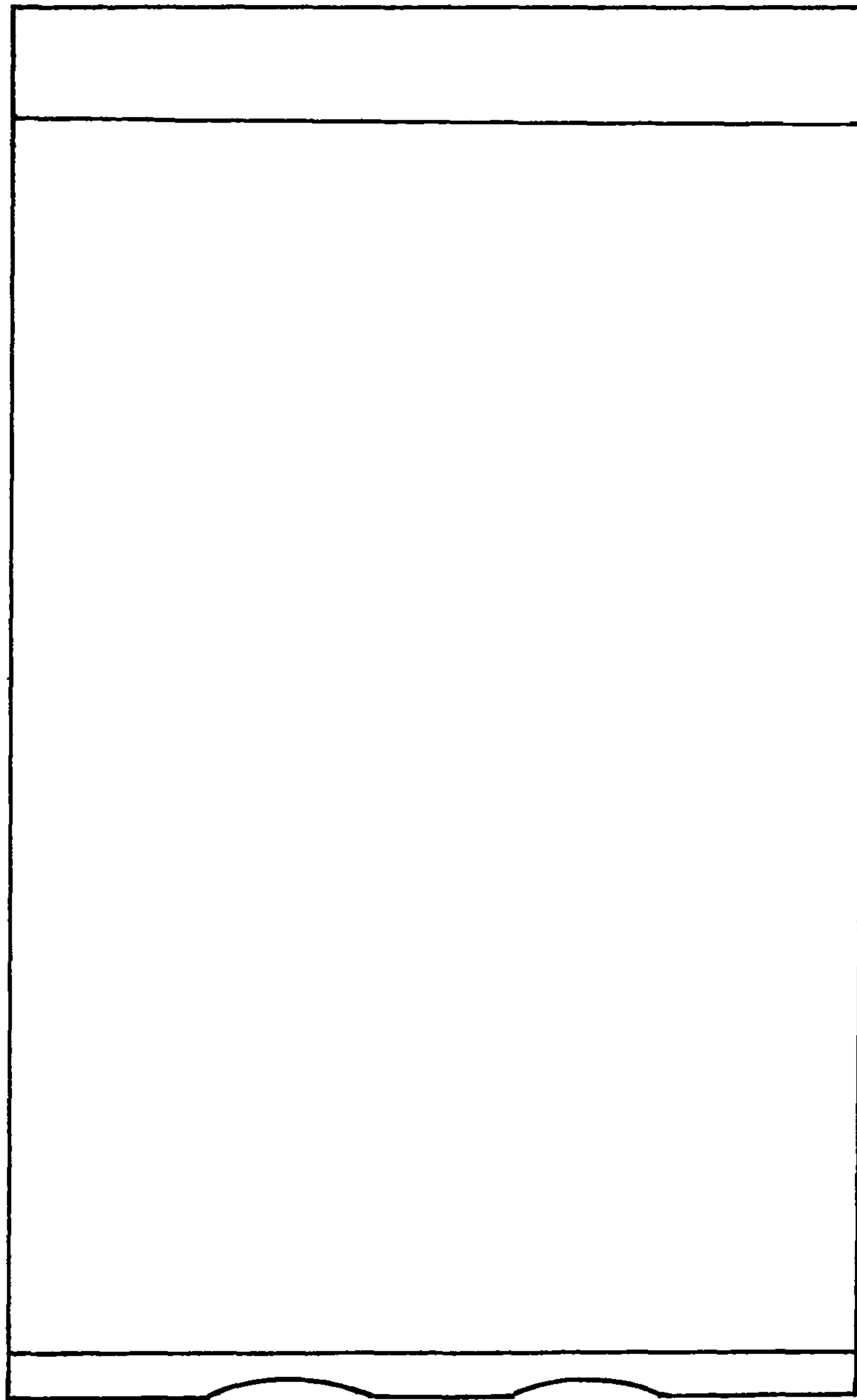




**FIG. 5**



**FIG. 6**



**FIG. 7**

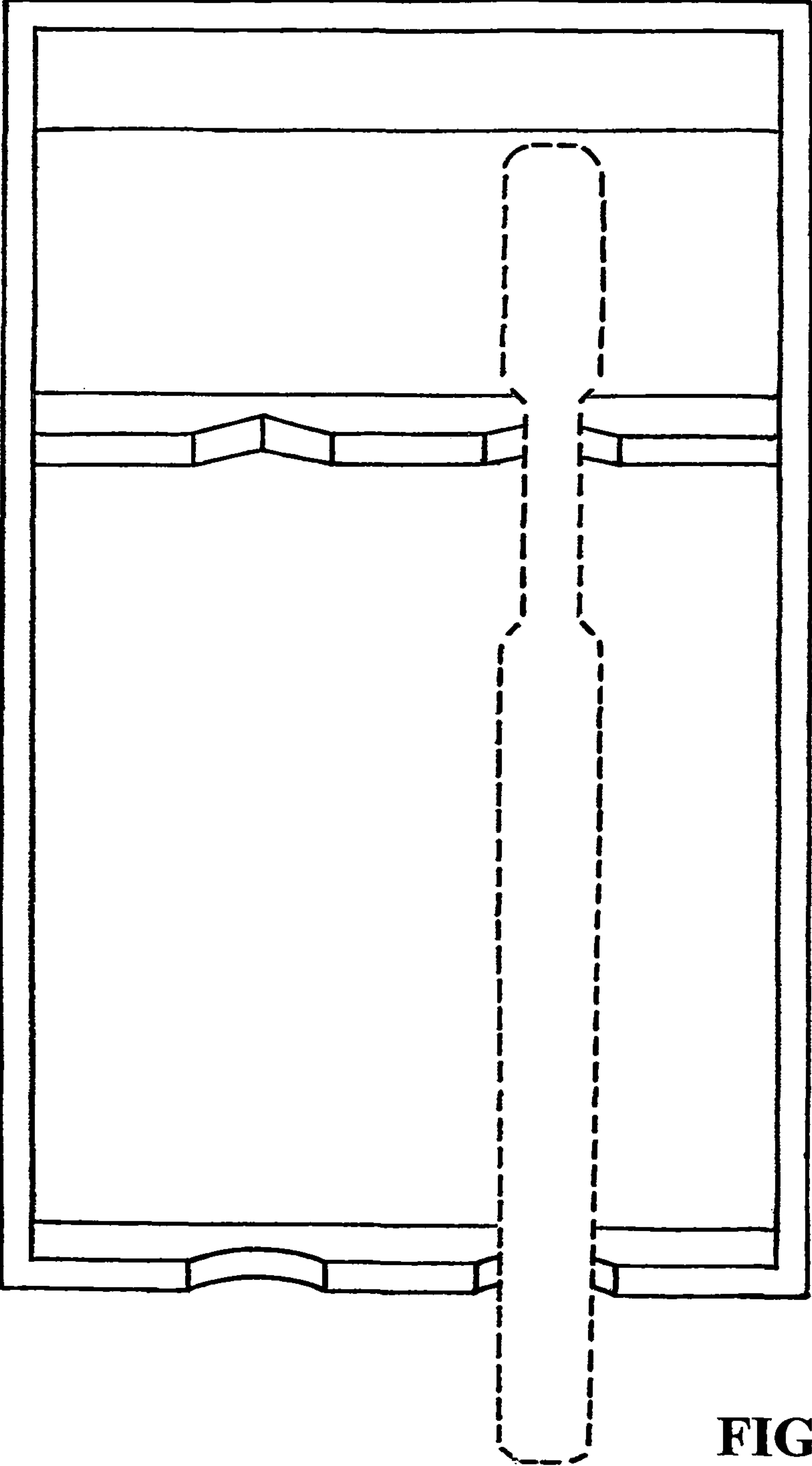


FIG. 8