



US00D695545S

(12) **United States Design Patent**
Floyd et al.

(10) **Patent No.:** **US D695,545 S**

(45) **Date of Patent:** **** Dec. 17, 2013**

(54) **STAND FOR A RAZOR**

(71) Applicant: **The Gillette Company**, Boston, MA (US)

(72) Inventors: **Brian Lee Floyd**, Cincinnati, OH (US); **Michael Frederick Palmer**, Boston, MA (US); **Andrew Anthony Szczepanowski**, North Attleboro, MA (US); **Brandon Albert Lynne**, Daly City, CA (US); **Jesse Samuel Madsen**, Oakland, CA (US)

(73) Assignee: **The Gillette Company**, Boston, MA (US)

(**) Term: **14 Years**

(21) Appl. No.: **29/444,049**

(22) Filed: **Jan. 25, 2013**

(51) **LOC (9) Cl.** **28-03**

(52) **U.S. Cl.**
USPC **D6/526**

(58) **Field of Classification Search**
USPC D6/526, 524, 540, 534, 528; 211/13.1, 211/70.6, 87.01, 89.01, 66, 86.01; 248/200, 248/205.5, 309.1, 314, 127, 176.1; D9/749; 206/208, 209, 228, 361, 362, 362.1, 206/362.2, 362.3

See application file for complete search history.

(56) **References Cited**

U.S. PATENT DOCUMENTS

D335,599 S *	5/1993	Novak	D6/526
D425,255 S	5/2000	Chen	
D544,264 S *	6/2007	Gallagher	D6/524
D576,436 S *	9/2008	Provost et al.	D6/526
D632,110 S	2/2011	Cooper	
D634,955 S *	3/2011	Cavazos Jimenez et al. ..	D6/526
D635,384 S *	4/2011	Yoon	D6/526
D677,090 S *	3/2013	Floyd et al.	D6/526

* cited by examiner

Primary Examiner — Brian N Vinson

(74) *Attorney, Agent, or Firm* — John M. Lipchitz; Kevin C. Johnson; Steven W. Miler

(57) **CLAIM**

The ornamental design for a stand for a razor, as shown and described.

DESCRIPTION

FIG. 1 is a perspective view of a stand for a razor of the present invention;

FIG. 2 is a front view thereof;

FIG. 3 is a rear view thereof;

FIG. 4 is a right side view thereof;

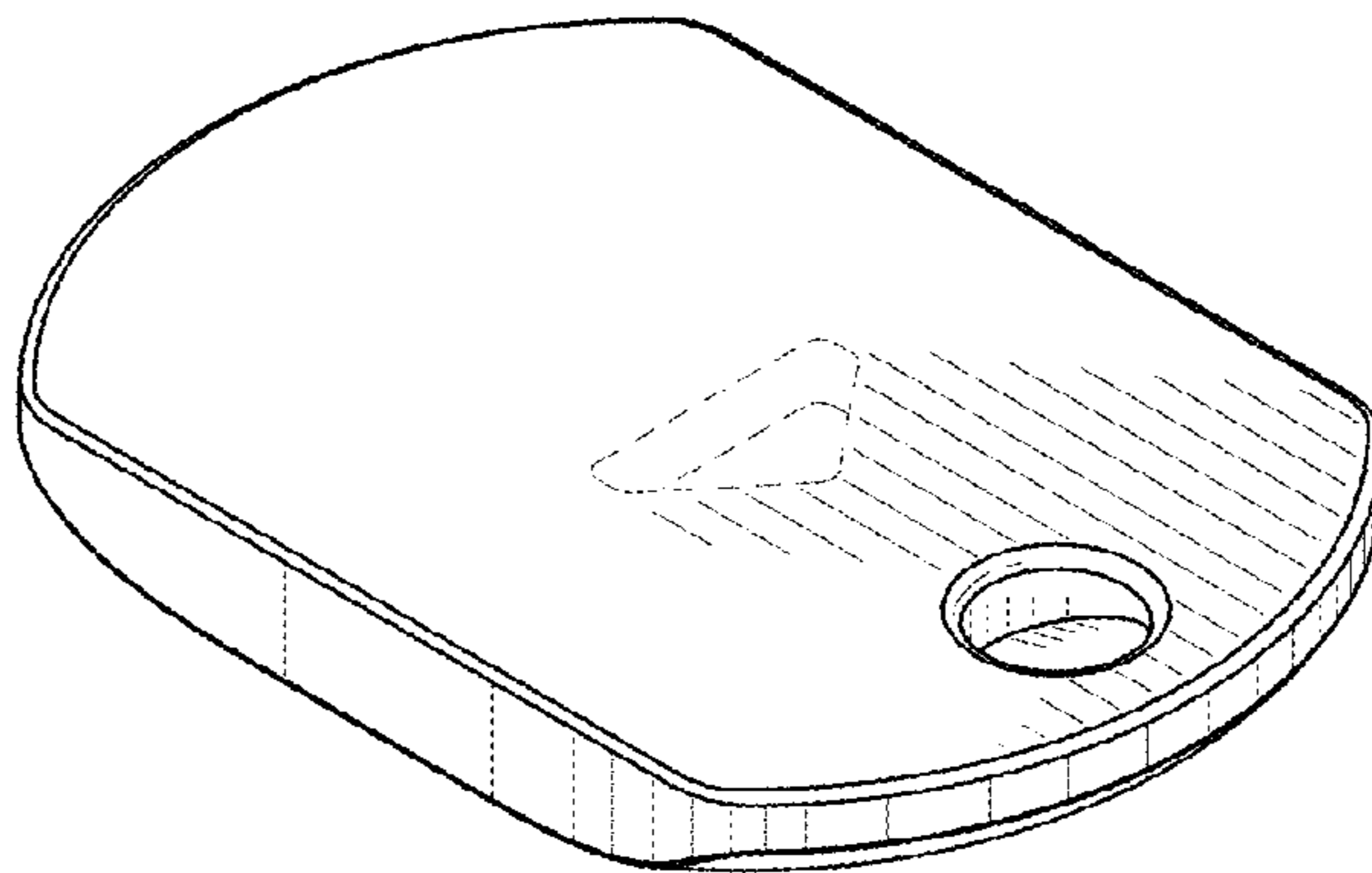
FIG. 5 is a left side view thereof;

FIG. 6 is a top view thereof; and,

FIG. 7 is a bottom view thereof.

The broken lines are shown for illustrative purposes only and form no part of the claimed design.

1 Claim, 4 Drawing Sheets



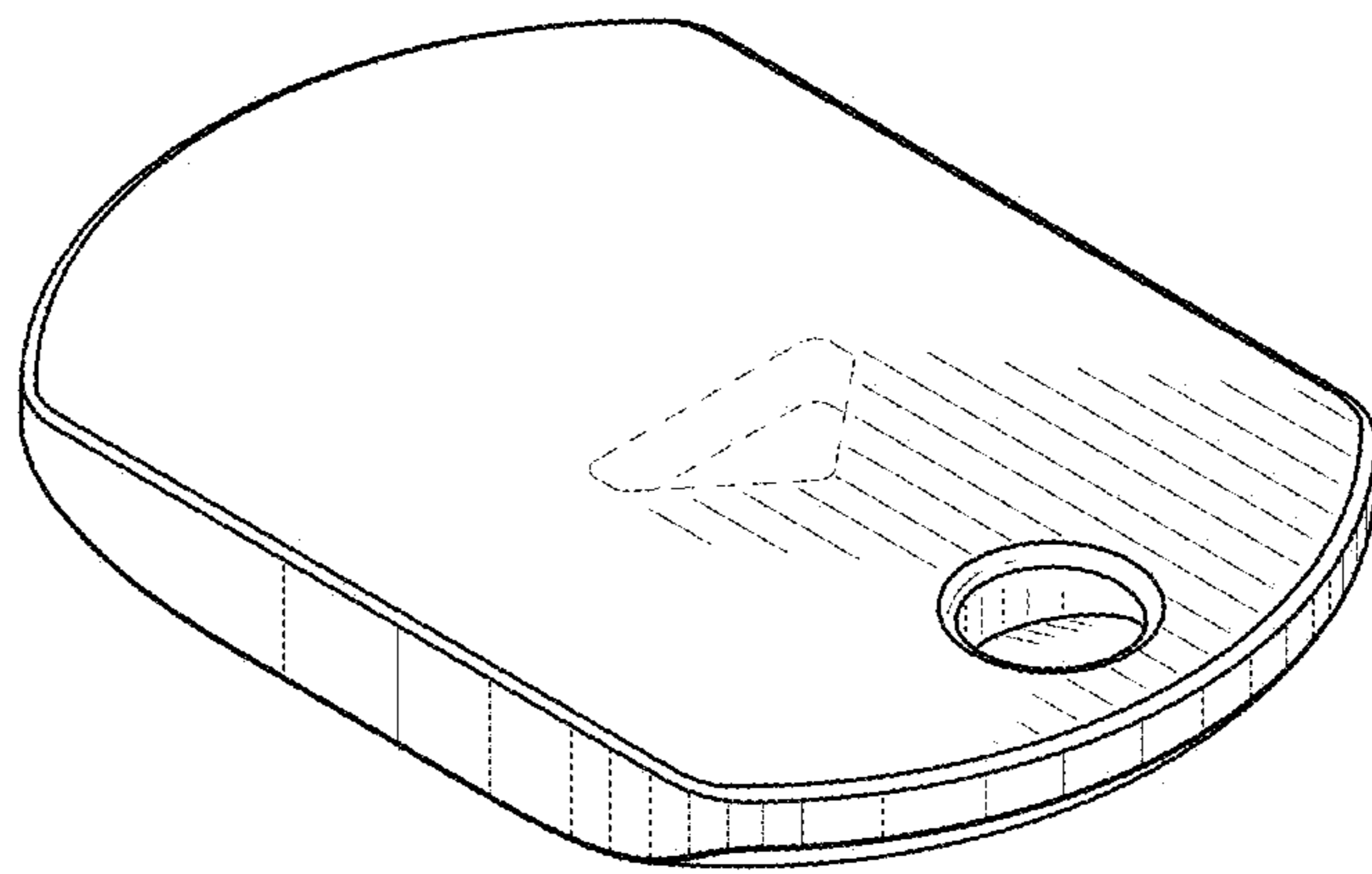


Fig. 1

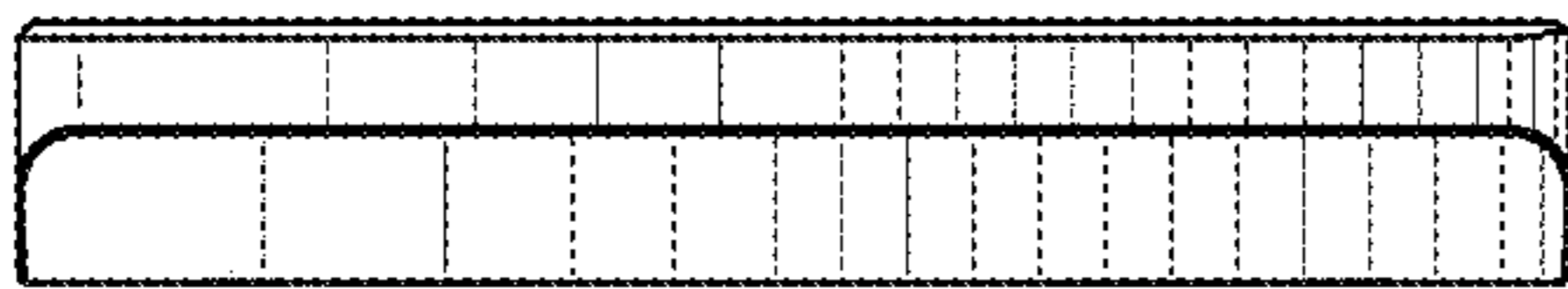


Fig. 2

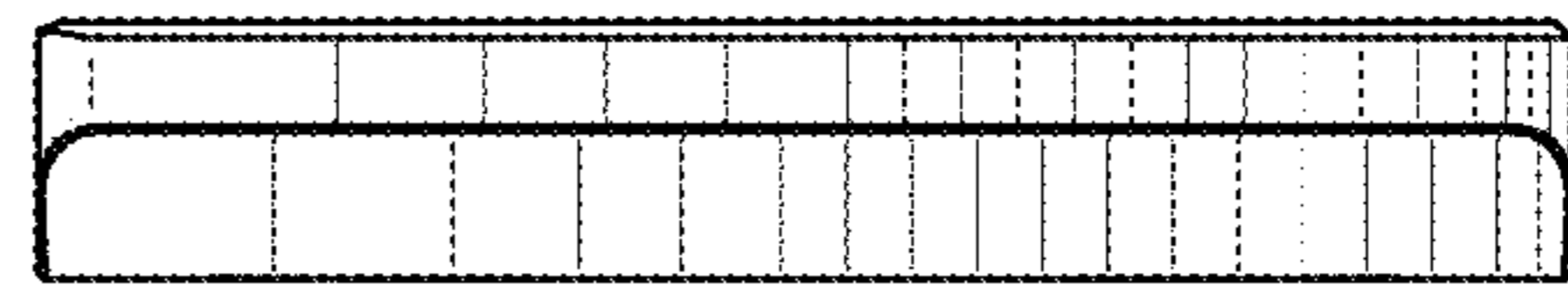


Fig. 3

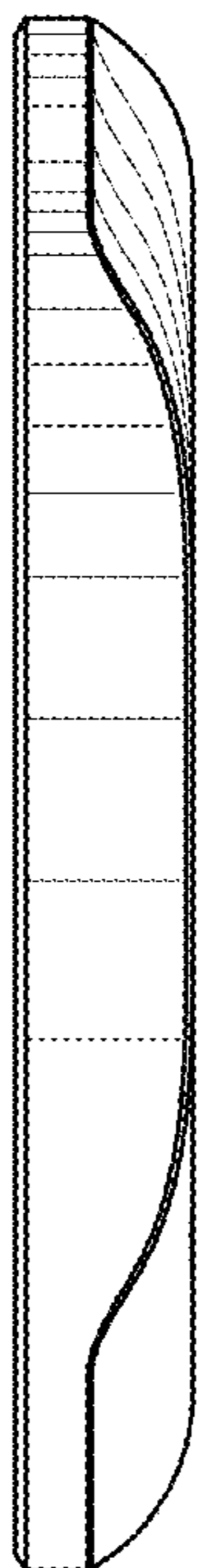


Fig. 4

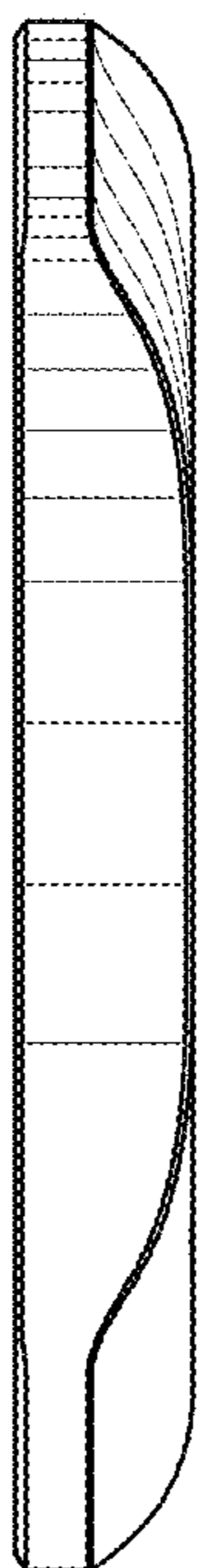


Fig. 5

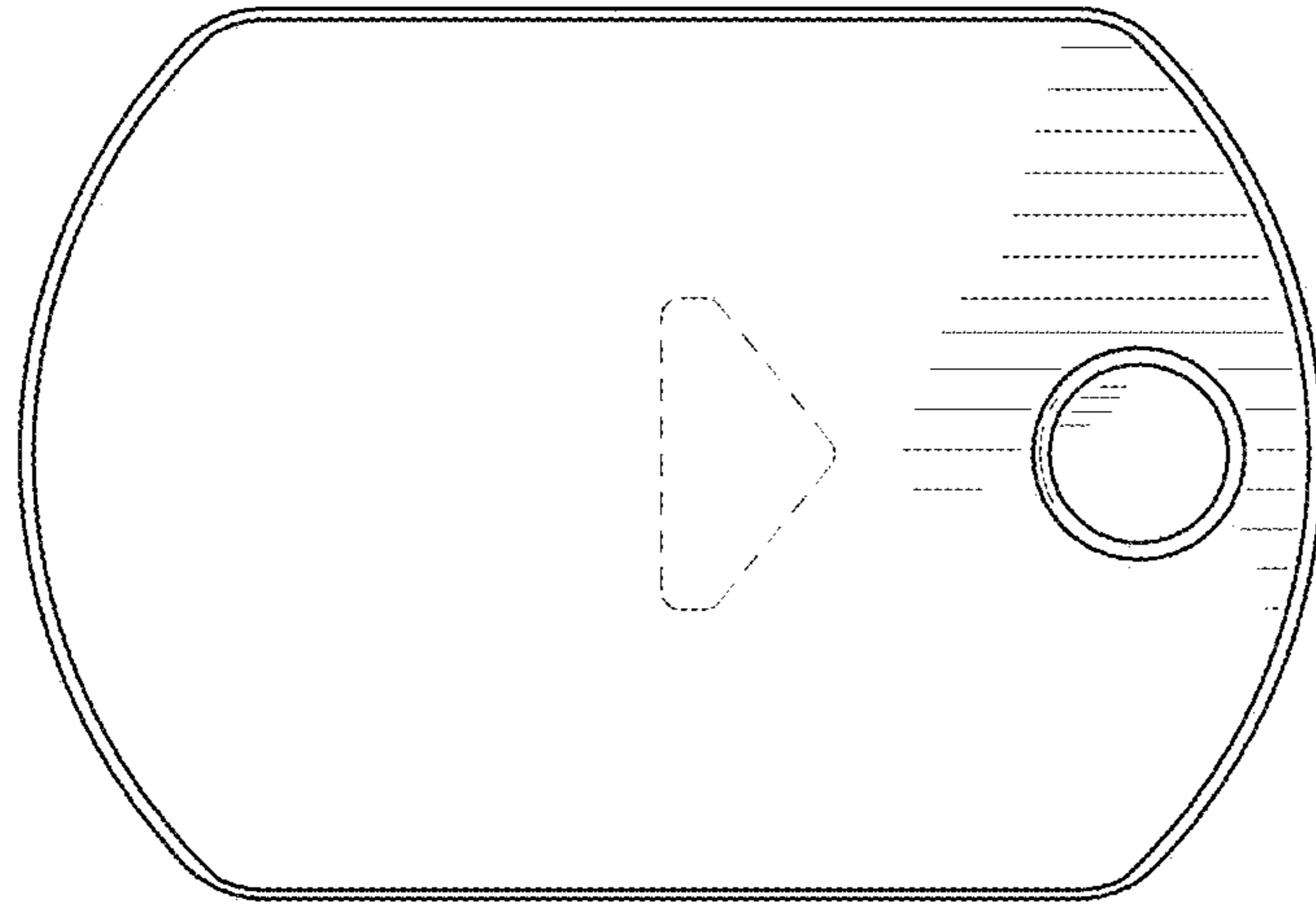


Fig. 6

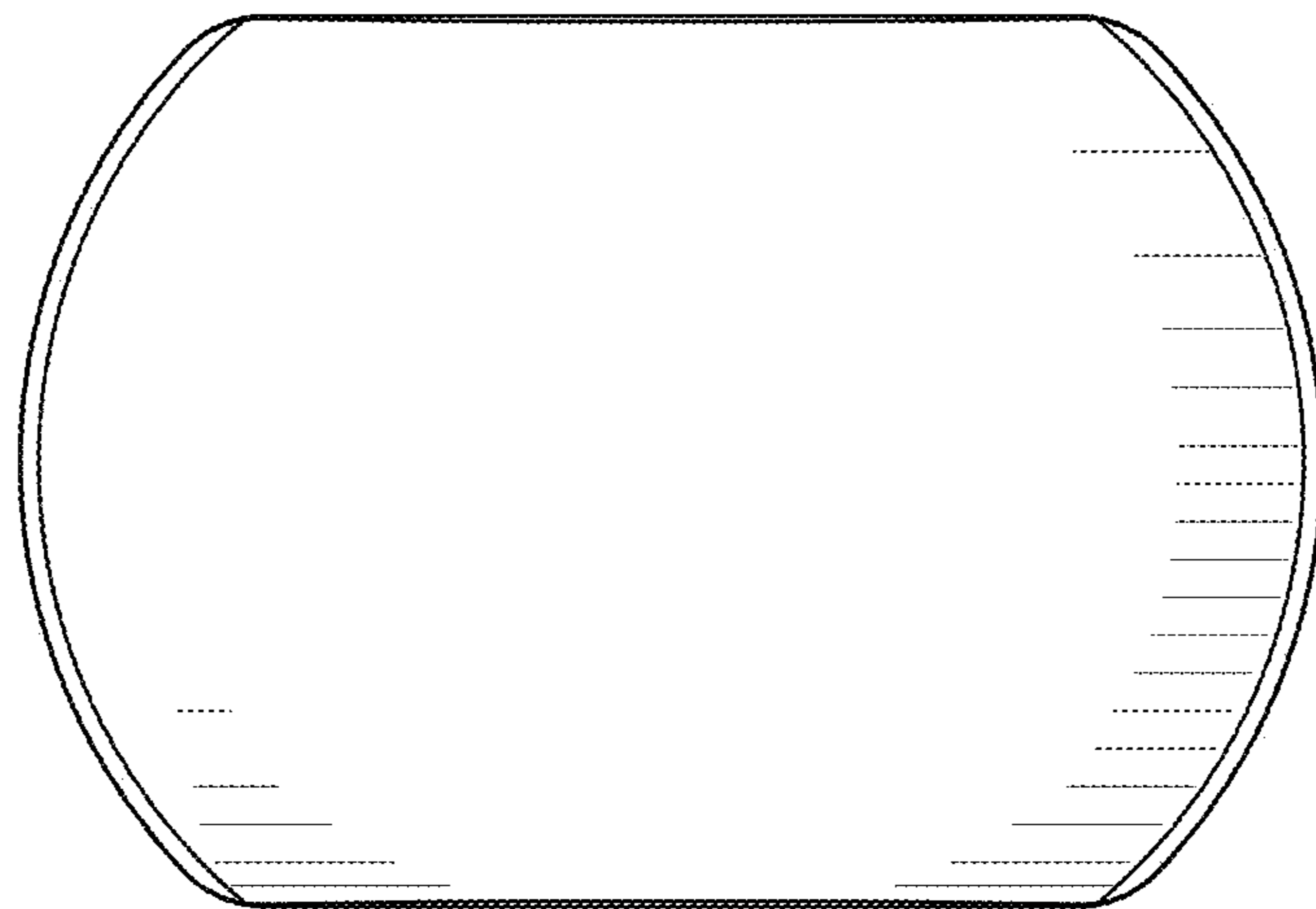


Fig. 7