



(12) **United States Design Patent**
Kenmore

(10) **Patent No.:** **US D695,543 S**
(45) **Date of Patent:** **** Dec. 17, 2013**

(54) **TOILET PAPER HOLDER**

(71) Applicant: **Sean Kenmore**, Oakland, CA (US)

(72) Inventor: **Sean Kenmore**, Oakland, CA (US)

(**) Term: **14 Years**

(21) Appl. No.: **29/421,910**

(22) Filed: **Oct. 18, 2012**

(51) **LOC (9) Cl.** **20-02**

(52) **U.S. Cl.**
USPC **D6/519**

(58) **Field of Classification Search**
USPC D6/515, 518-523; D3/201, 215, 217,
D3/269, 901; 206/389, 391, 407, 409;
312/34.1, 34.8; 211/16, 85.5, 59.2;
221/92, 97, 185, 282, 284; 242/159,
242/160.2, 550, 560, 590, 594, 59, 588,
242/598, 598.3, 598.65

See application file for complete search history.

(56) **References Cited**

U.S. PATENT DOCUMENTS

D464,179 S *	10/2002	Petersen et al.	D6/518
D654,739 S *	2/2012	Chin et al.	D6/518
D657,174 S *	4/2012	Yatscoff	D6/518
D683,560 S *	6/2013	Goldberg	D6/518

* cited by examiner

Primary Examiner — Brian N Vinson

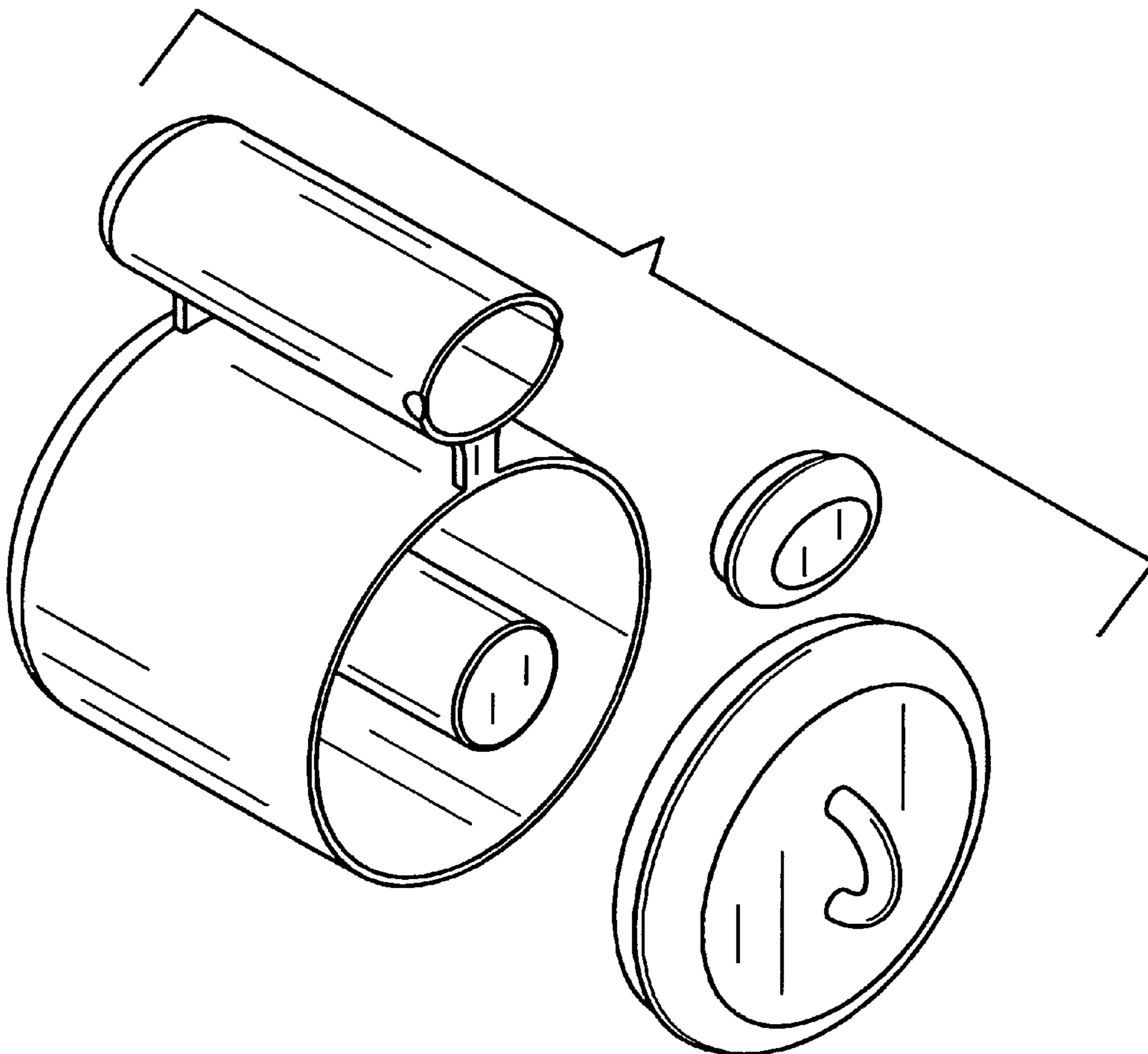
(57) **CLAIM**

The ornamental design for a toilet paper holder, as shown.

DESCRIPTION

FIG. 1 is a top, front, and side perspective of a toilet paper holder showing my design;
FIG. 2 is a left side elevational view thereof; the right side elevational view identical thereof;
FIG. 3 is a top side elevational view thereof;
FIG. 4 is a bottom side elevational view thereof;
FIG. 5 is a front elevational view thereof;
FIG. 6 is a rear elevational view thereof; and,
FIG. 7 is an exploded top, front, and side perspective view of FIG. 1 thereof.

1 Claim, 7 Drawing Sheets



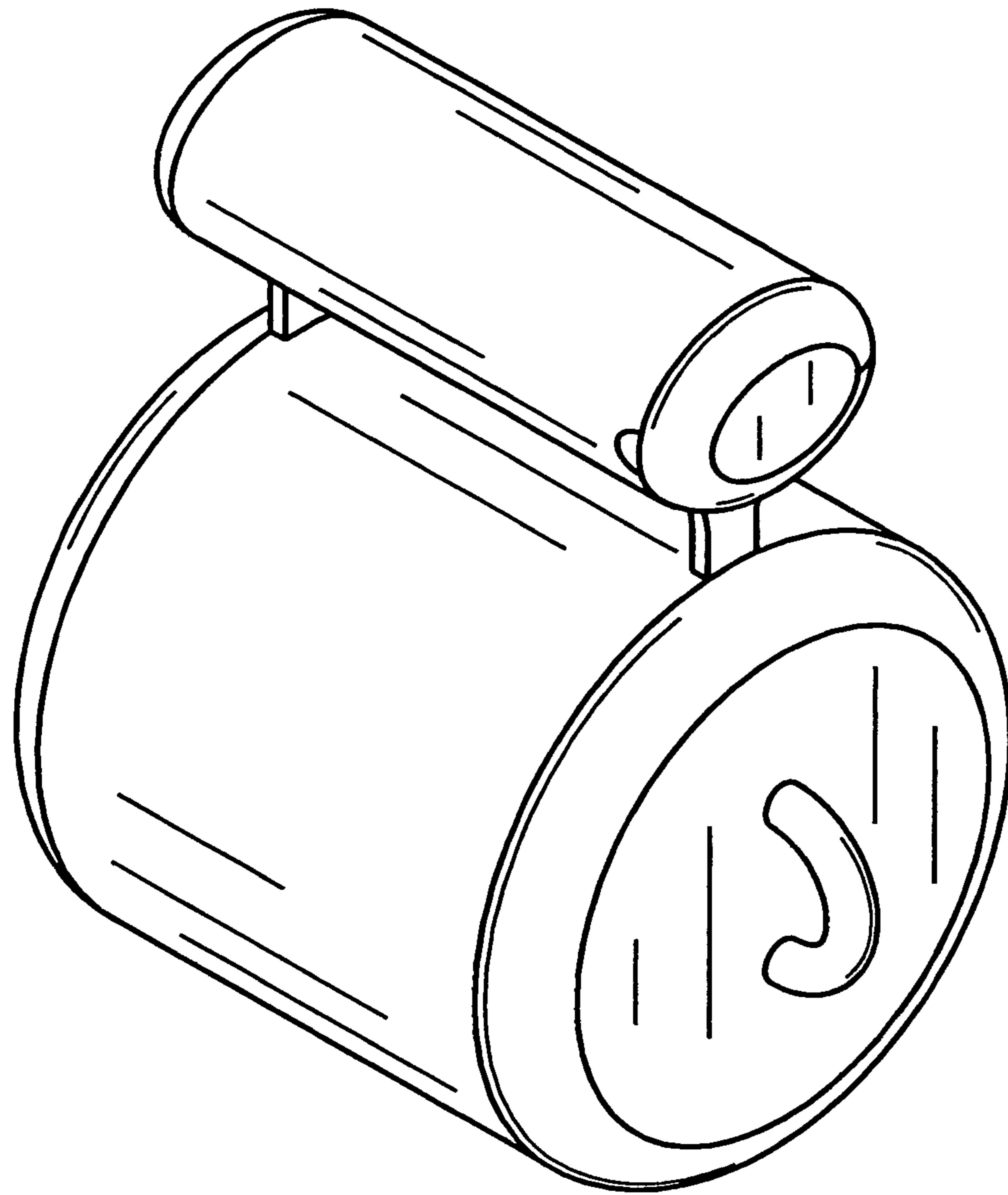


FIG. 1

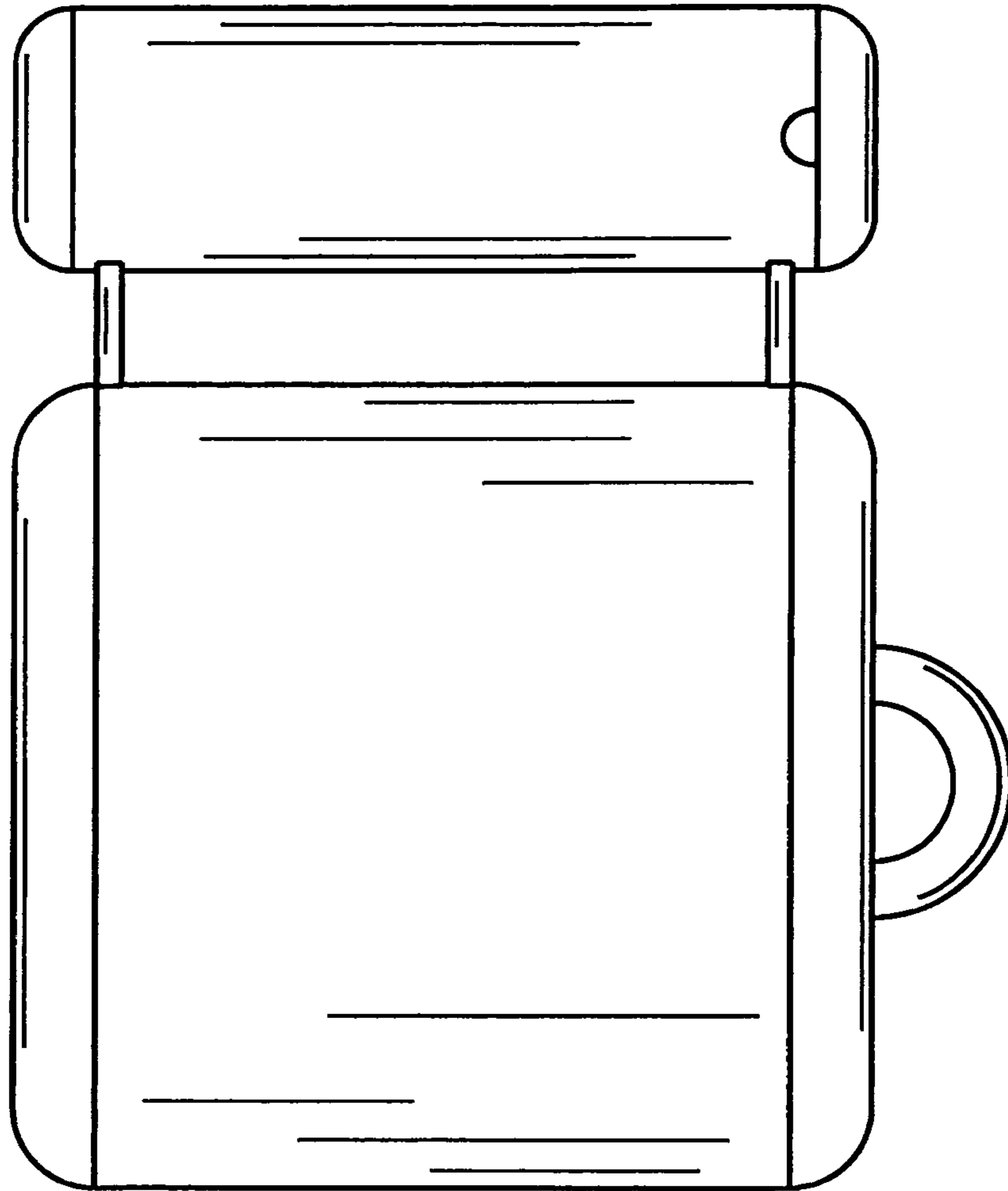


FIG. 2

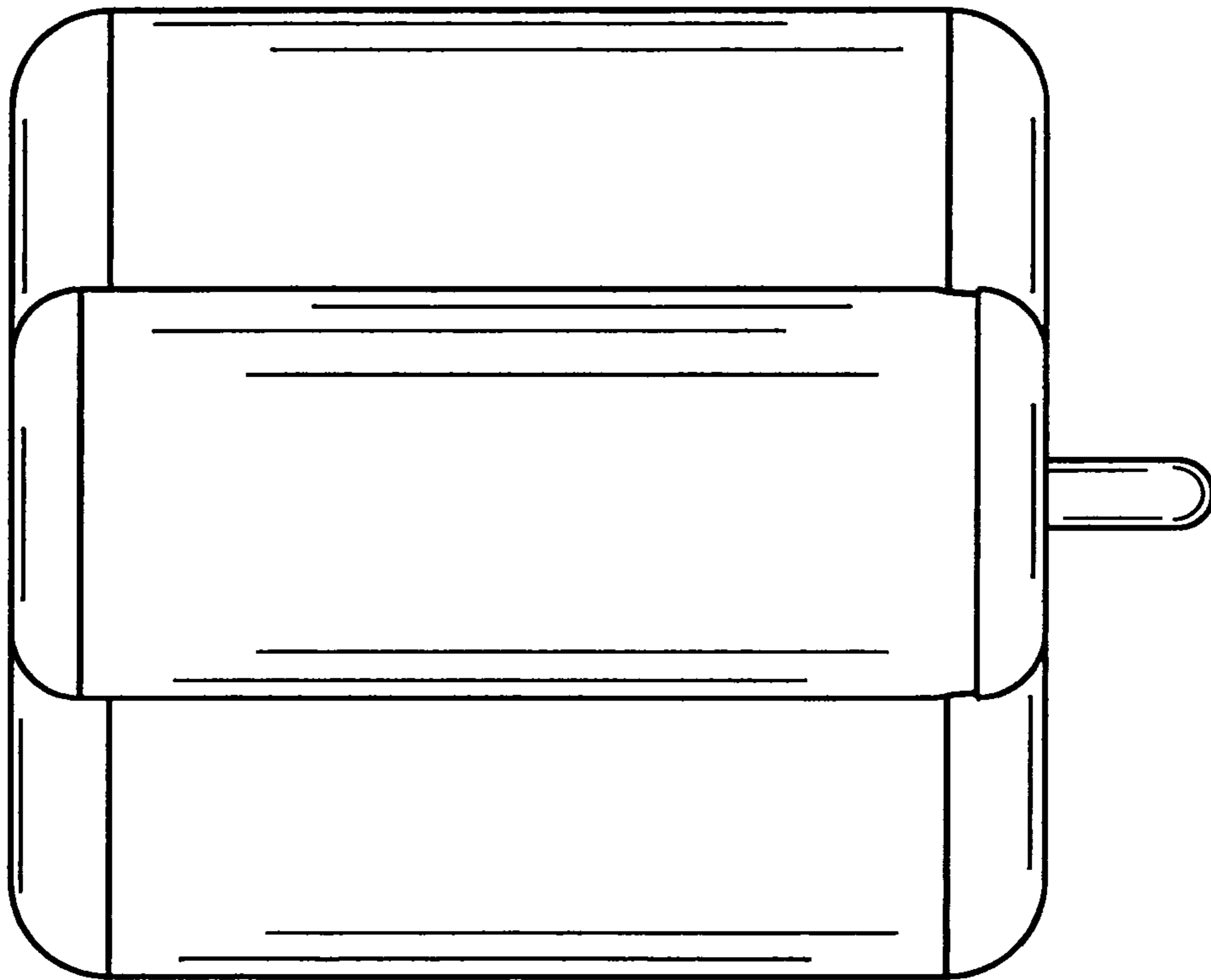


FIG. 3

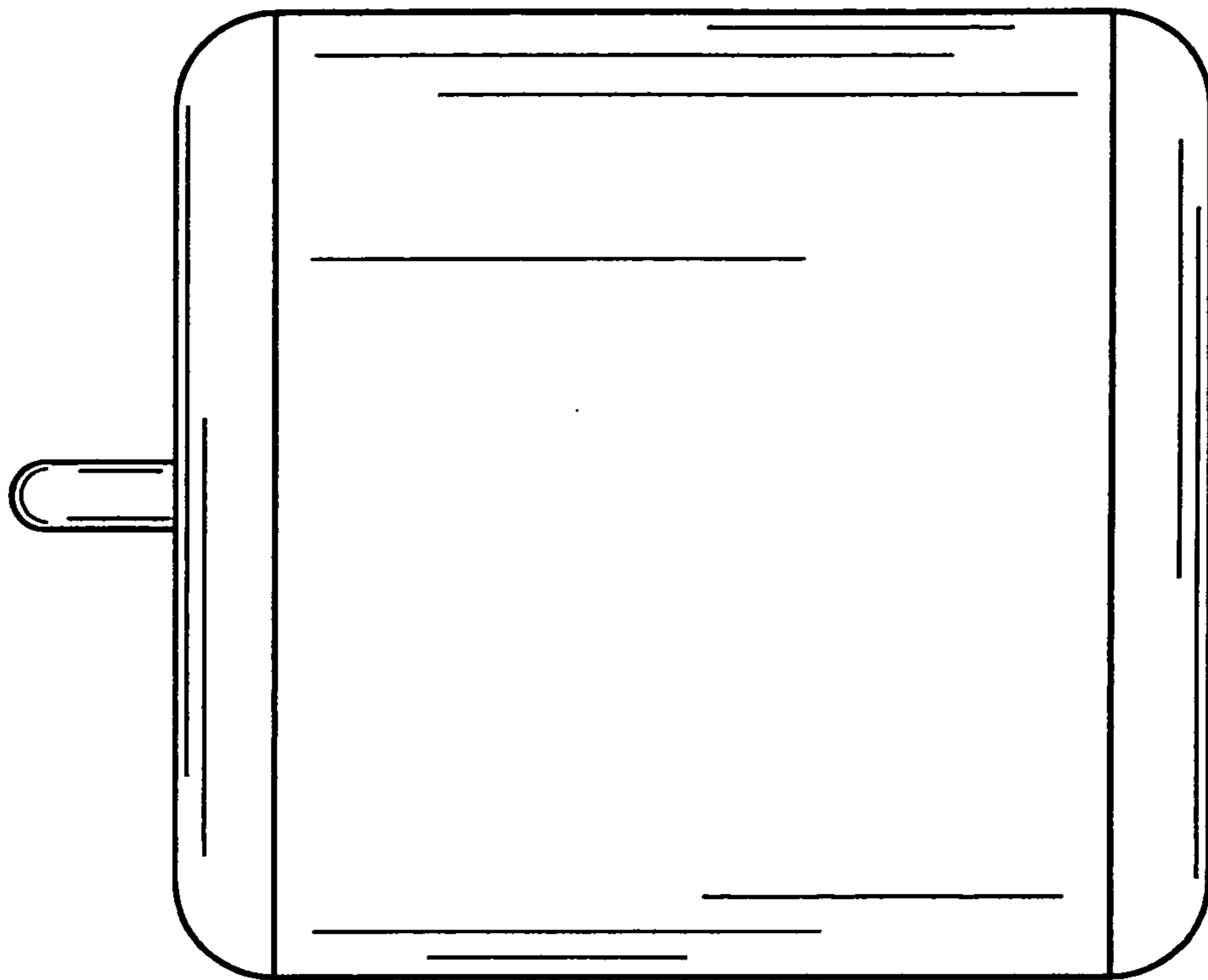


FIG. 4

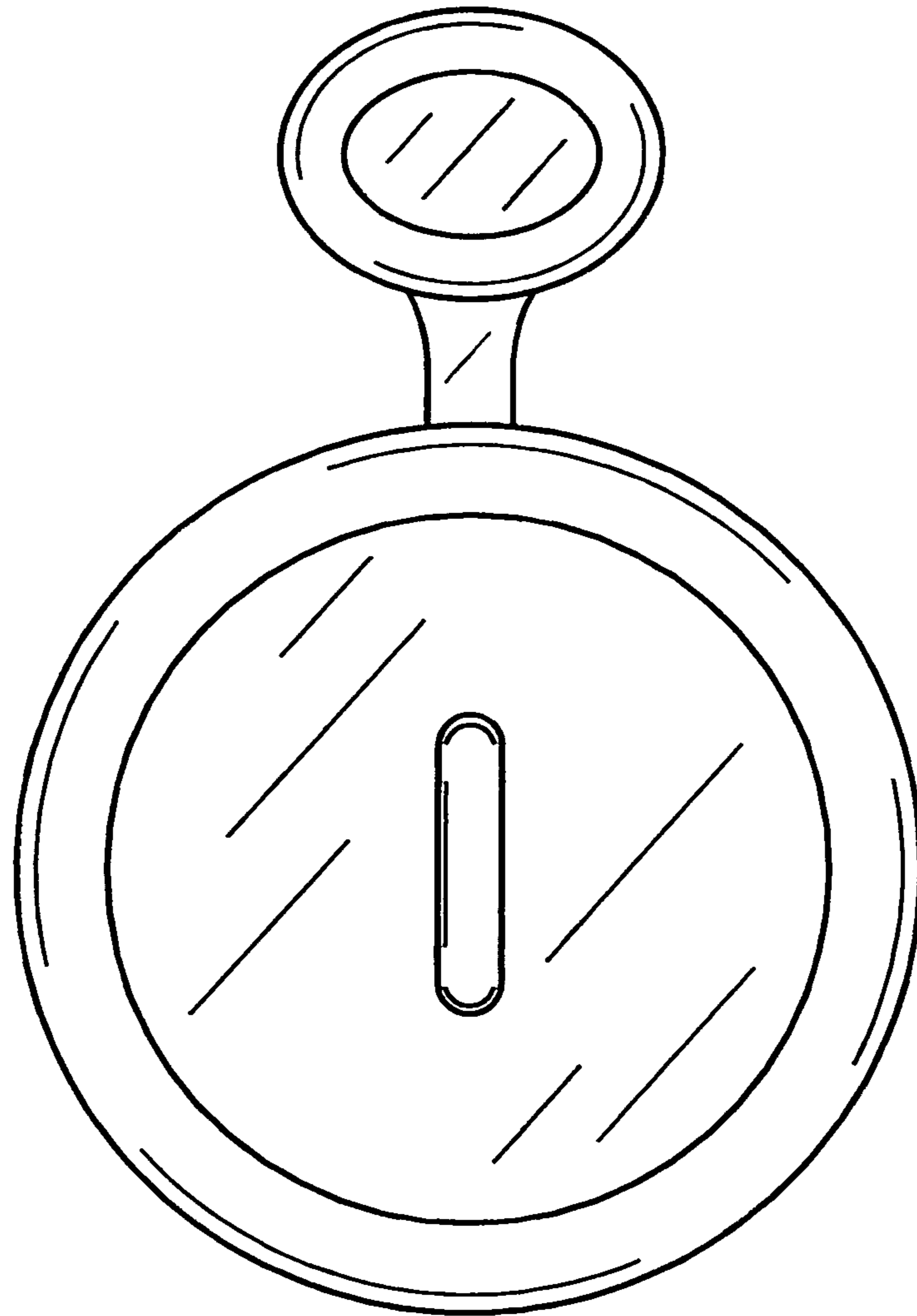


FIG. 5

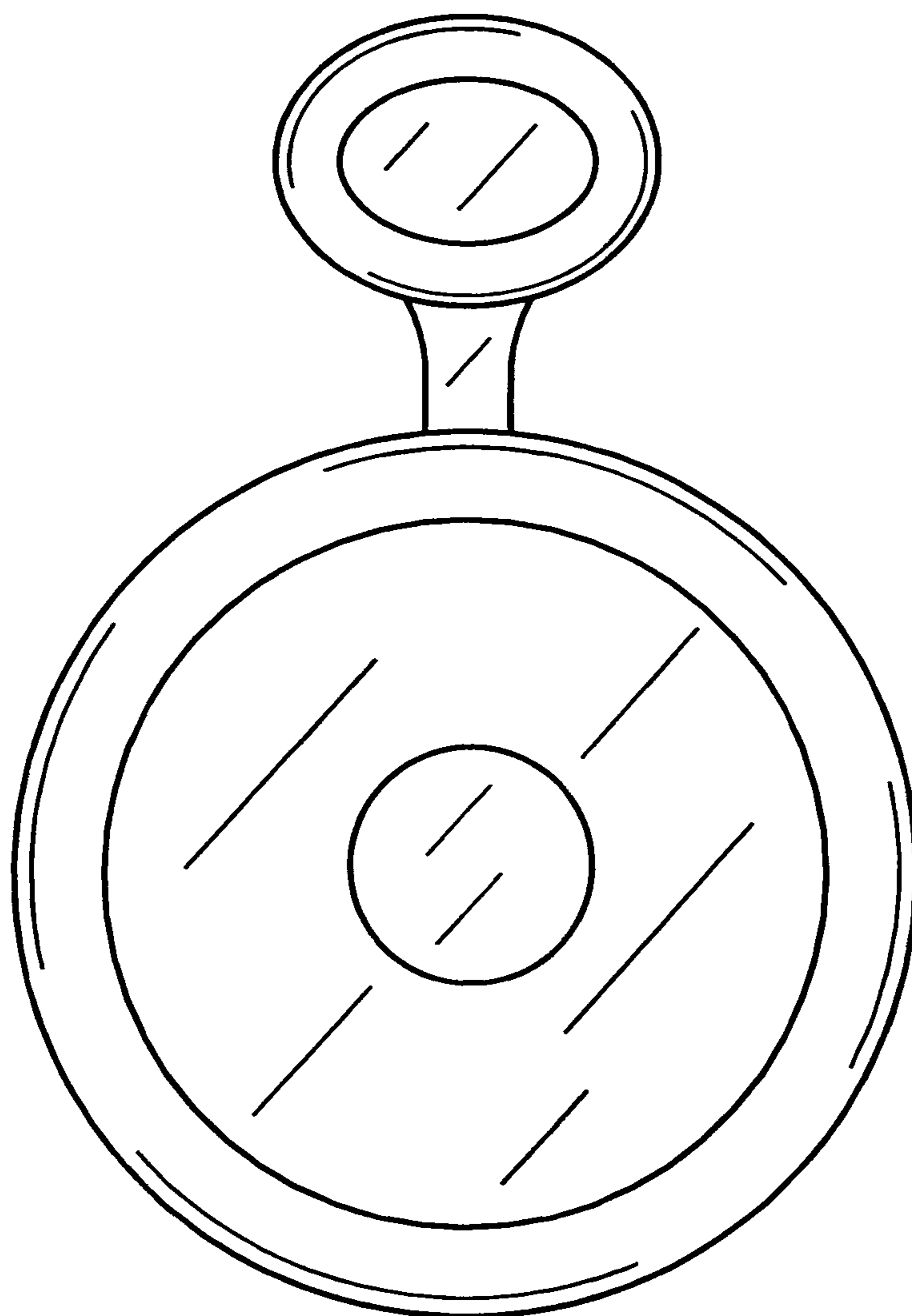


FIG. 6

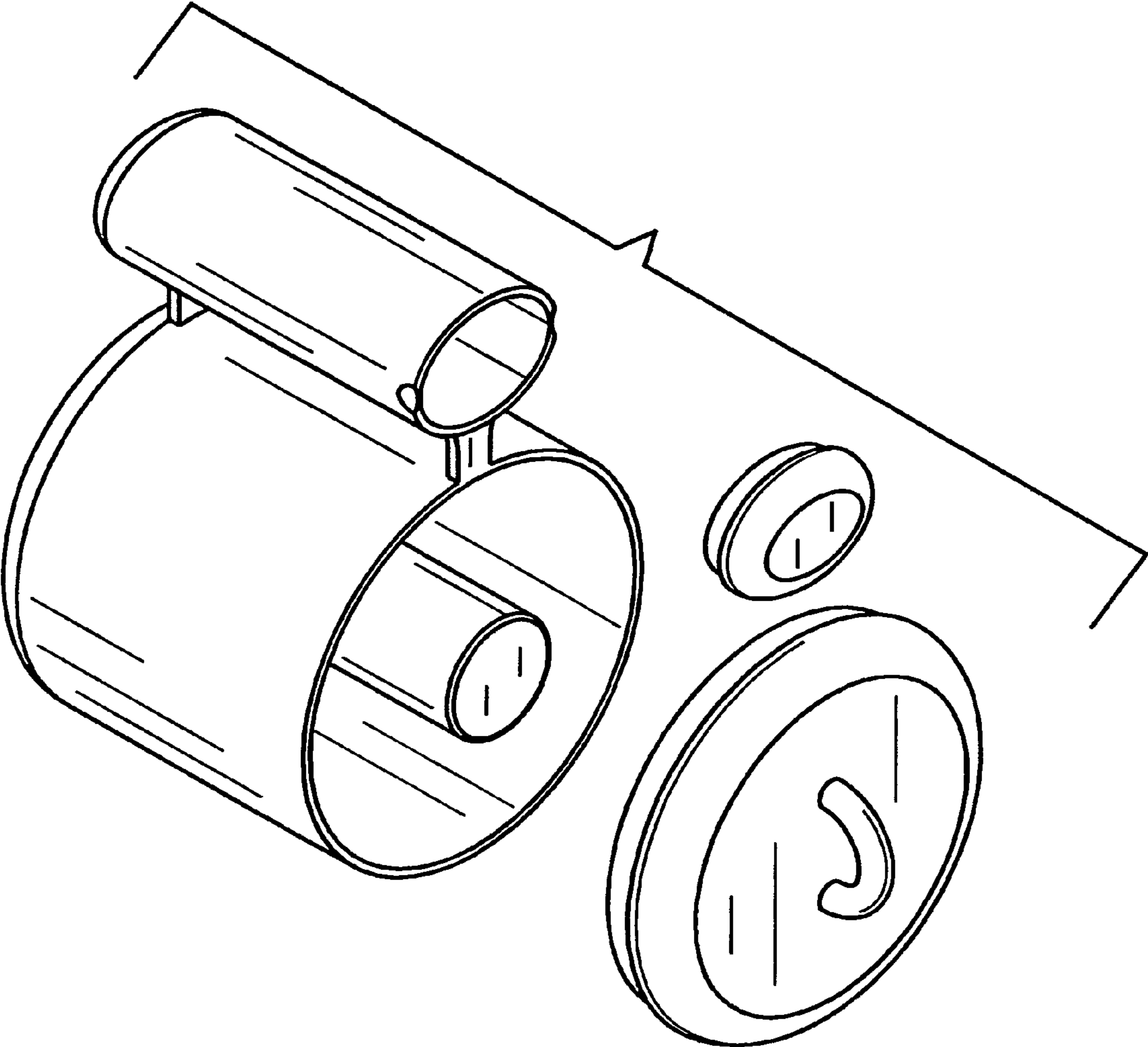


FIG. 7