



US00D695542S

(12) **United States Design Patent**  
**Niada**

(10) **Patent No.:** **US D695,542 S**  
(45) **Date of Patent:** **\*\* Dec. 17, 2013**

- (54) **PAPER TOWELS DISPENSER**
- (71) Applicant: **Q T S S.r.l.**, Caponago (IT)
- (72) Inventor: **Gianandrea Niada**, Milan (IT)
- (73) Assignee: **Q T S, S.r.L.**, Caponago (MI) (IT)
- (\*\*) Term: **14 Years**
- (21) Appl. No.: **29/436,373**
- (22) Filed: **Nov. 5, 2012**

D623,452 S *	9/2010	McNeely et al.	.....	D6/518
D649,820 S *	12/2011	Stutzel	.....	D6/518
D666,035 S *	8/2012	Velazquez et al.	.....	D6/518
D668,484 S *	10/2012	Velazquez et al.	.....	D6/518

\* cited by examiner

*Primary Examiner* — Brian N Vinson  
(74) *Attorney, Agent, or Firm* — Lucas & Mercanti, LLP

(30) **Foreign Application Priority Data**

May 7, 2012 (EM) ..... 002038232-0002

- (51) **LOC (9) Cl.** ..... **20-02**
- (52) **U.S. Cl.**  
USPC ..... **D6/518**
- (58) **Field of Classification Search**  
USPC ..... D6/542–545, 553, 567, 574, 515–525;  
206/77.1; 211/13.1, 86.01, 87.01;  
221/14, 92, 649, 146.1, 146.2, 105;  
222/281–282; D23/225; D8/349, 354,  
D8/363, 373, 394; D24/155  
See application file for complete search history.

(56) **References Cited**

**U.S. PATENT DOCUMENTS**

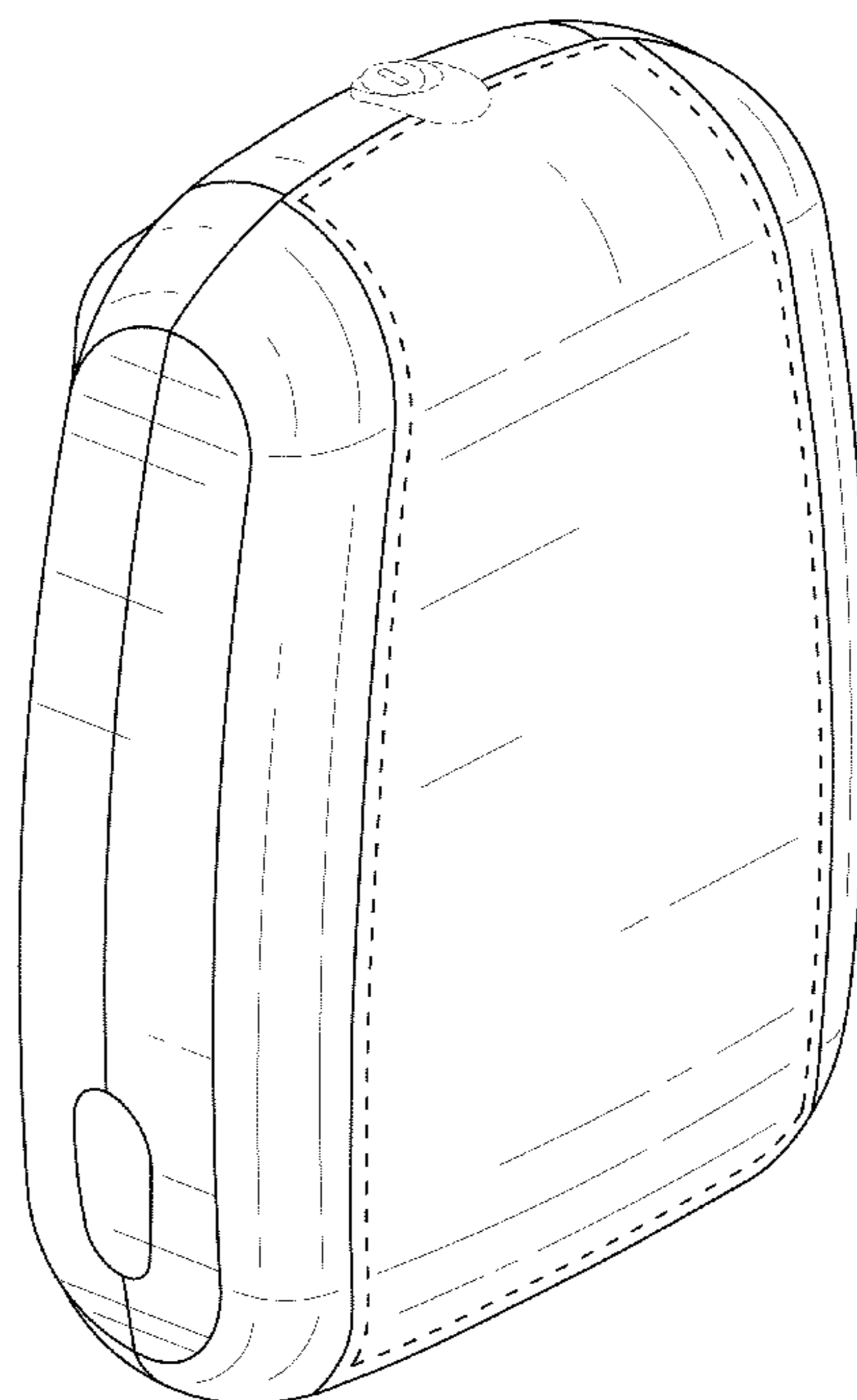
D447,373 S *	9/2001	Fisscher	.....	D6/518
D615,329 S *	5/2010	Meyerhoffer	.....	D6/518

(57) **CLAIM**  
The ornamental design for a paper towels dispenser, as shown and described.

**DESCRIPTION**

FIG. 1 is a front perspective view of the paper towels dispenser;  
 FIG. 2 is a front view of the paper towels dispenser of FIG. 1;  
 FIG. 3 is a first side view of the paper towels dispenser of FIG. 1;  
 FIG. 4 is a second side view of the paper towels dispenser of FIG. 1;  
 FIG. 5 is a rear view of the paper towels dispenser of FIG. 1;  
 FIG. 6 is a top side view of the paper towels dispenser of FIG. 1; and,  
 FIG. 7 is a bottom view of the paper towels dispenser of FIG. 1.  
 The broken line disclosure in the views is intended to represent unclaimed portions of the article in which the claimed design is embodied.

**1 Claim, 7 Drawing Sheets**



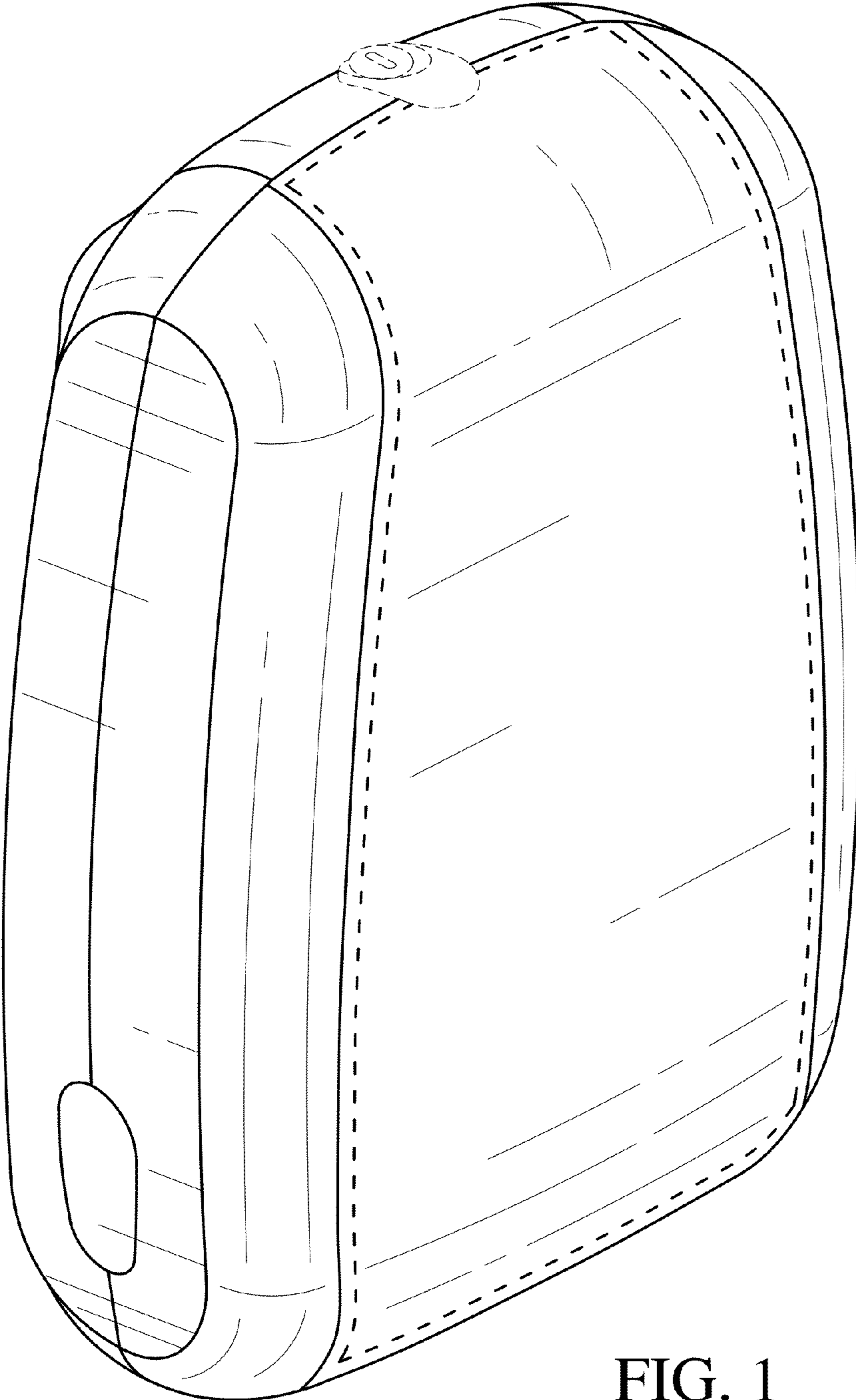


FIG. 1

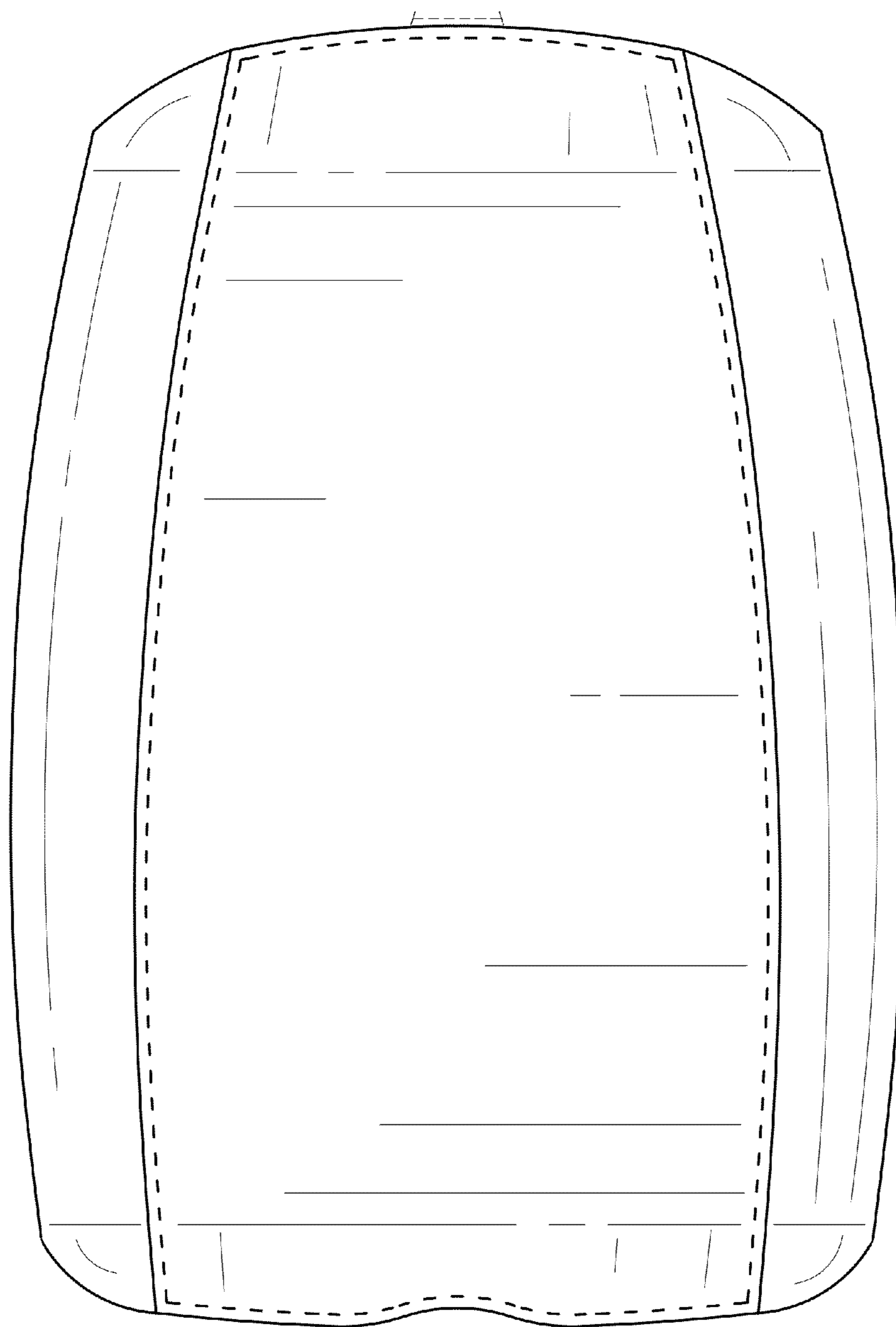


FIG. 2

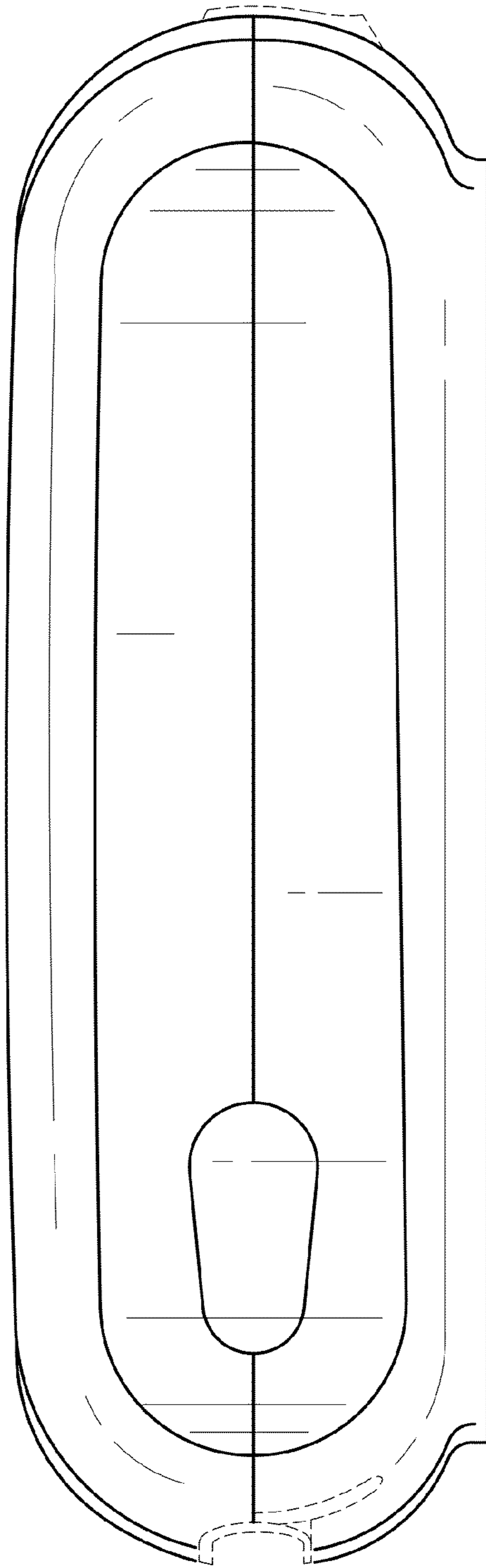


FIG. 3

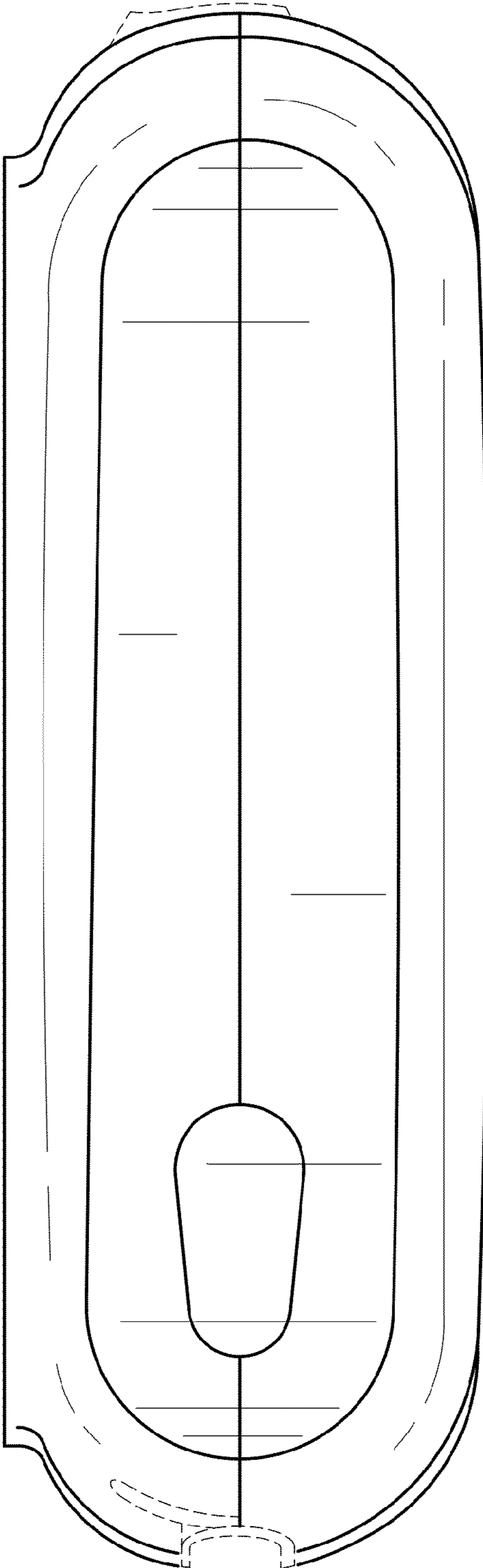


FIG. 4

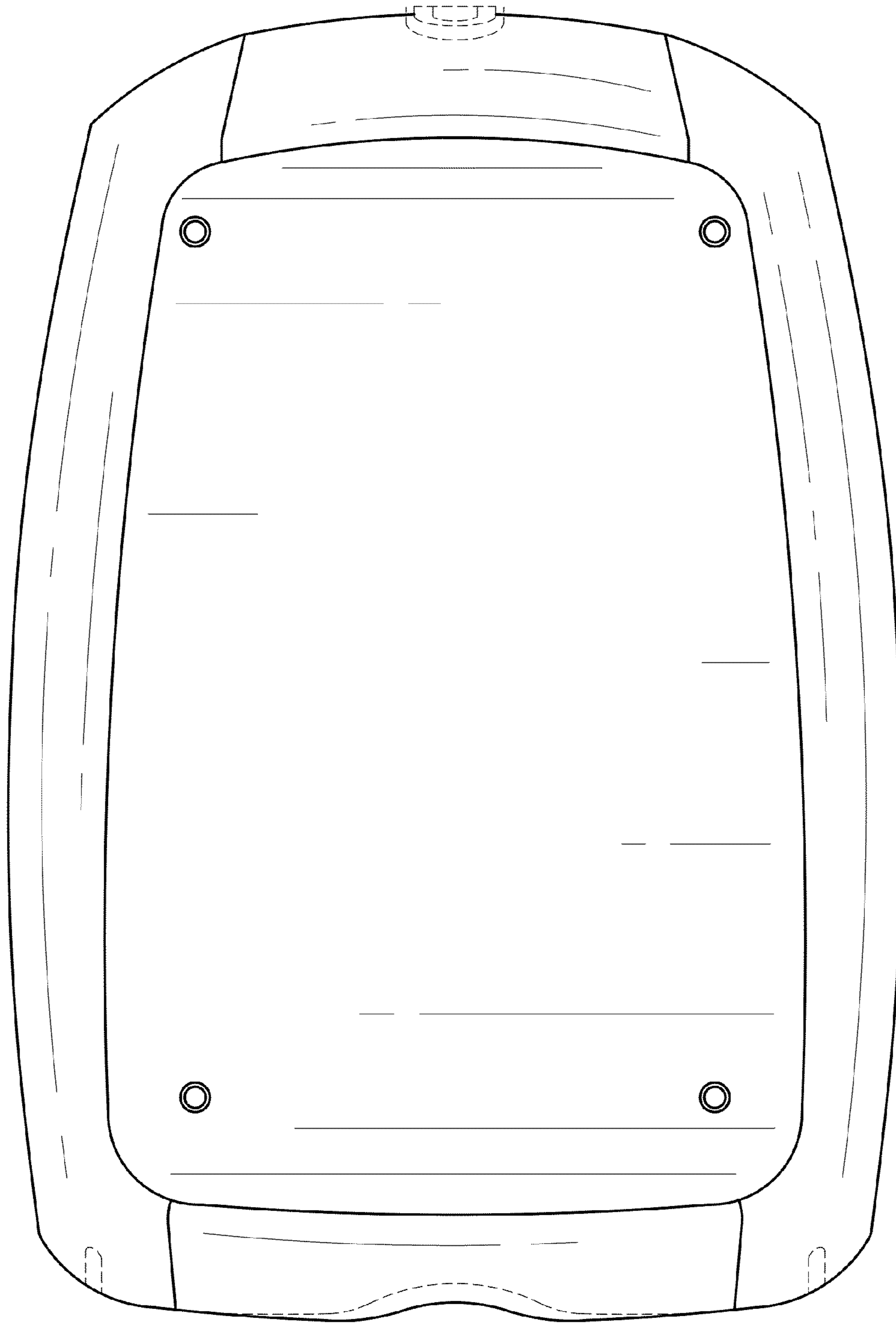


FIG. 5



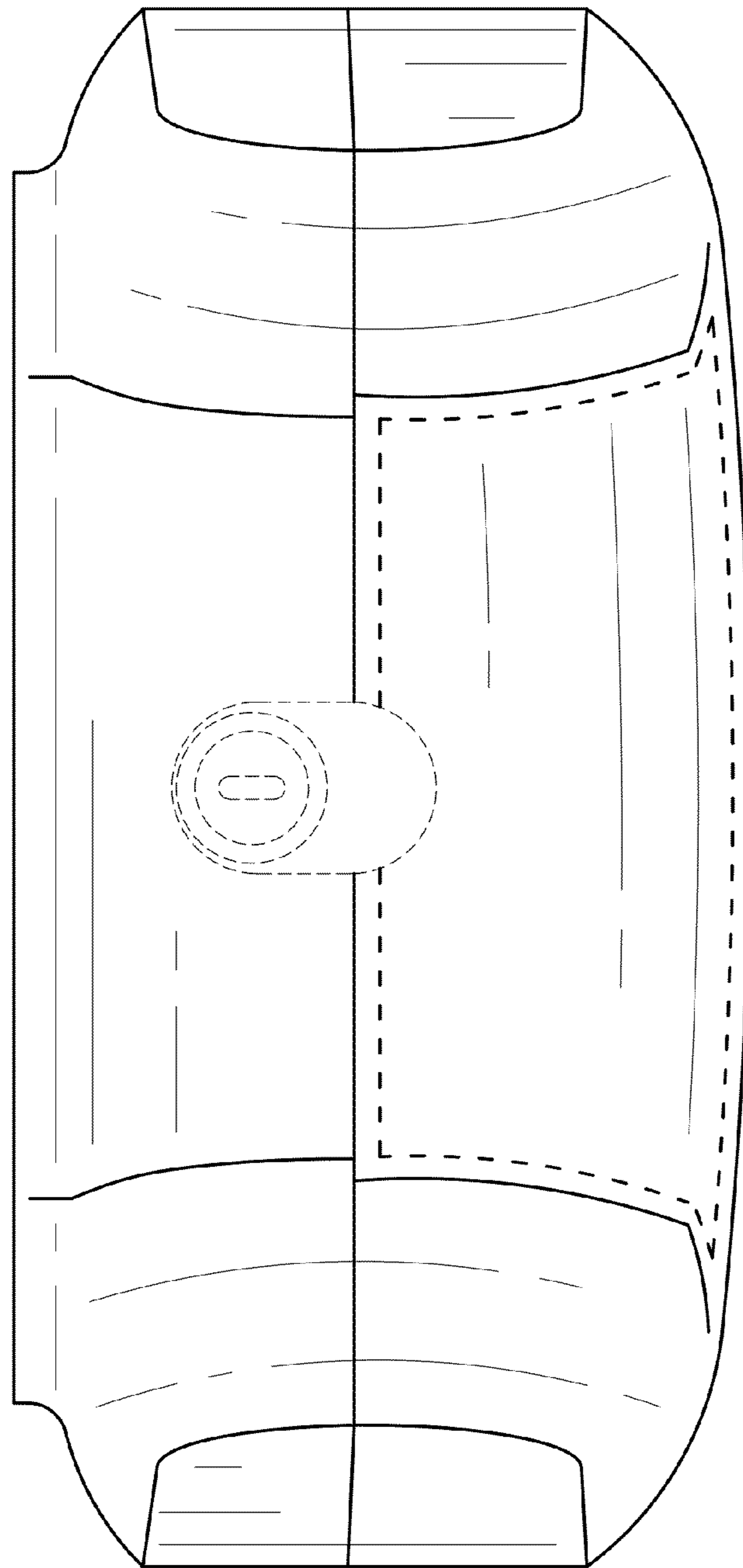


FIG. 6

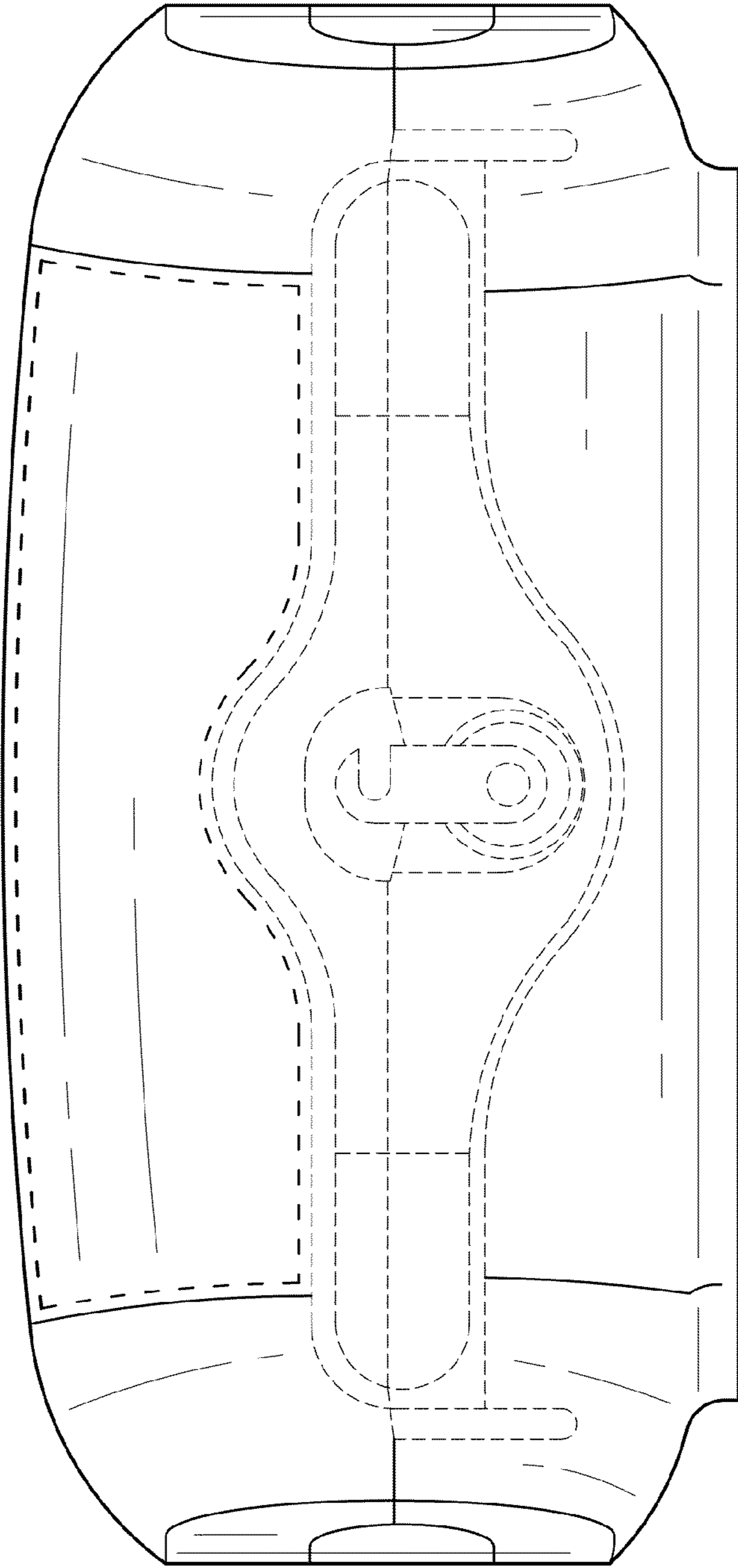


FIG. 7