

US00D695540S

(12) **United States Design Patent**  
**Teel, Jr.**

(10) **Patent No.:** **US D695,540 S**

(45) **Date of Patent:** **\*\* Dec. 17, 2013**

(54) **STORAGE RACK FOR SANITARY WIPES**

(56) **References Cited**

(71) Applicant: **Ray Teel, Jr.**, Kerman, CA (US)

U.S. PATENT DOCUMENTS

(72) Inventor: **Ray Teel, Jr.**, Kerman, CA (US)

D628,385 S \* 12/2010 Klein et al. .... D6/513

D630,033 S \* 1/2011 Snider ..... D6/513

D650,209 S \* 12/2011 Snider ..... D6/513

(\*\*) Term: **14 Years**

\* cited by examiner

(21) Appl. No.: **29/439,669**

*Primary Examiner* — Brian N Vinson

(22) Filed: **Dec. 13, 2012**

(74) *Attorney, Agent, or Firm* — Gulf Coast Intellectual Property Group

(51) **LOC (9) Cl.** ..... **06-06**

(57) **CLAIM**

The ornamental design for a storage rack for sanitary wipes, as shown and described.

(52) **U.S. Cl.**

**DESCRIPTION**

USPC ..... **D6/513**; D6/566

(58) **Field of Classification Search**

USPC ..... D3/304, 306; 206/202, 513, 557;

211/13.1, 41.3, 41.4, 86.01, 88.01,

211/134, 126.1, 181.1; 248/302; 220/485,

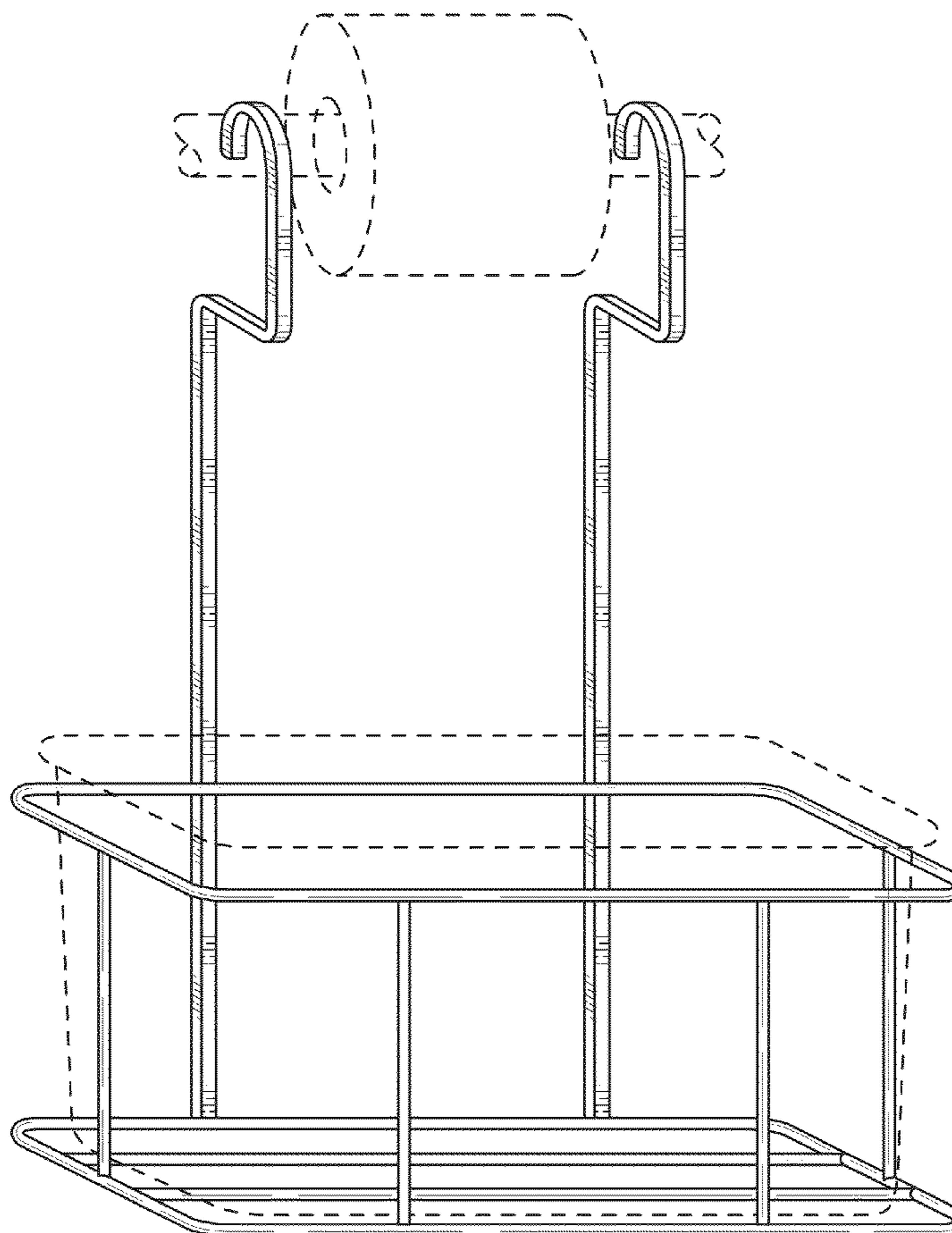
220/488; D6/512–514, 524–525, 566

FIG. 1 is a perspective view of the present invention; and FIG. 2 is a front view of the present invention; and FIG. 3 is a rear view of the present invention; and FIG. 4 is a left side view of the present invention; and FIG. 5 is a right side view of the present invention; and, FIG. 6 is a bottom view of the present invention.

Wherein the dotted lines herein illustrating use and environment only and forming no part of the claimed design.

See application file for complete search history.

**1 Claim, 3 Drawing Sheets**



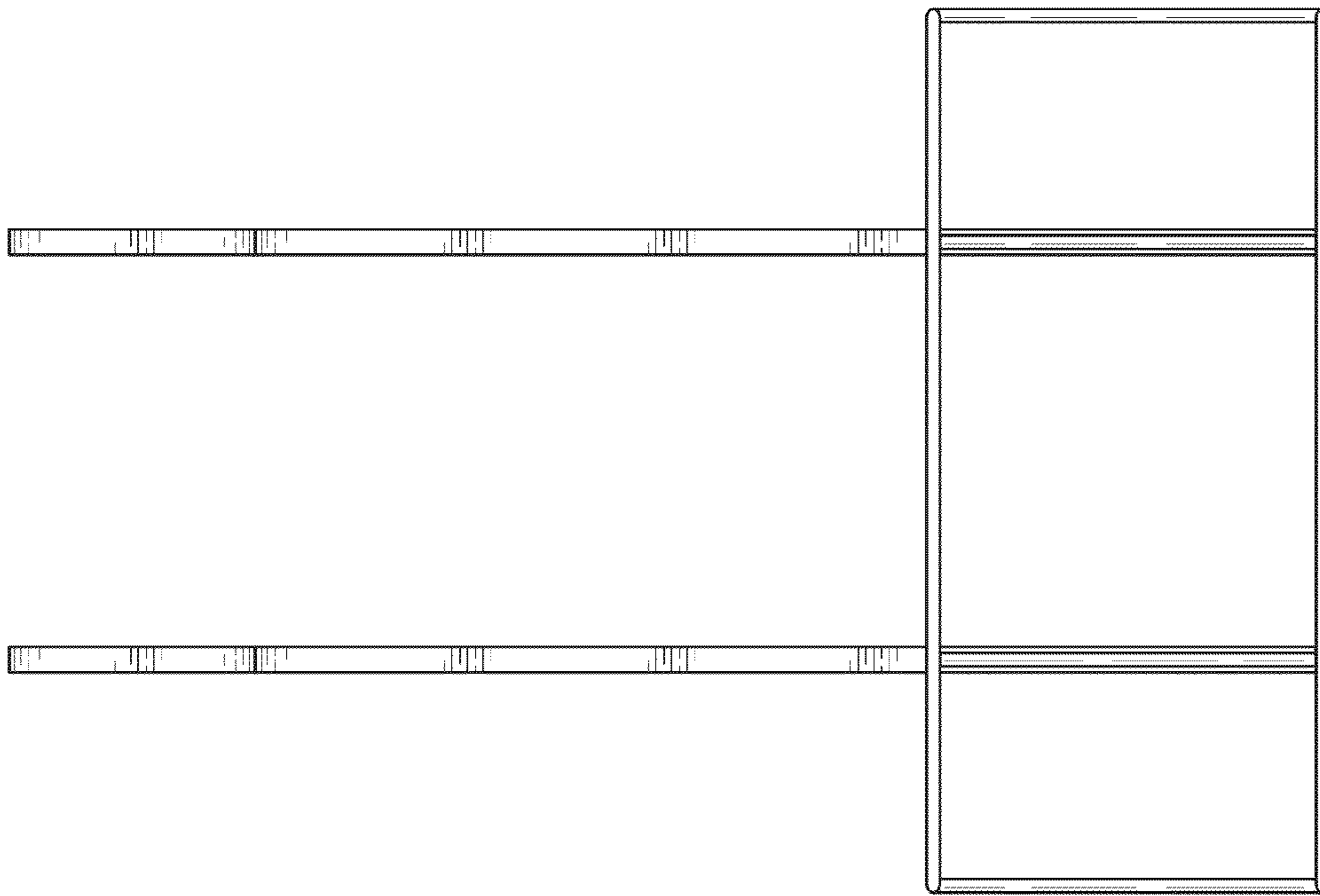


FIG. 2

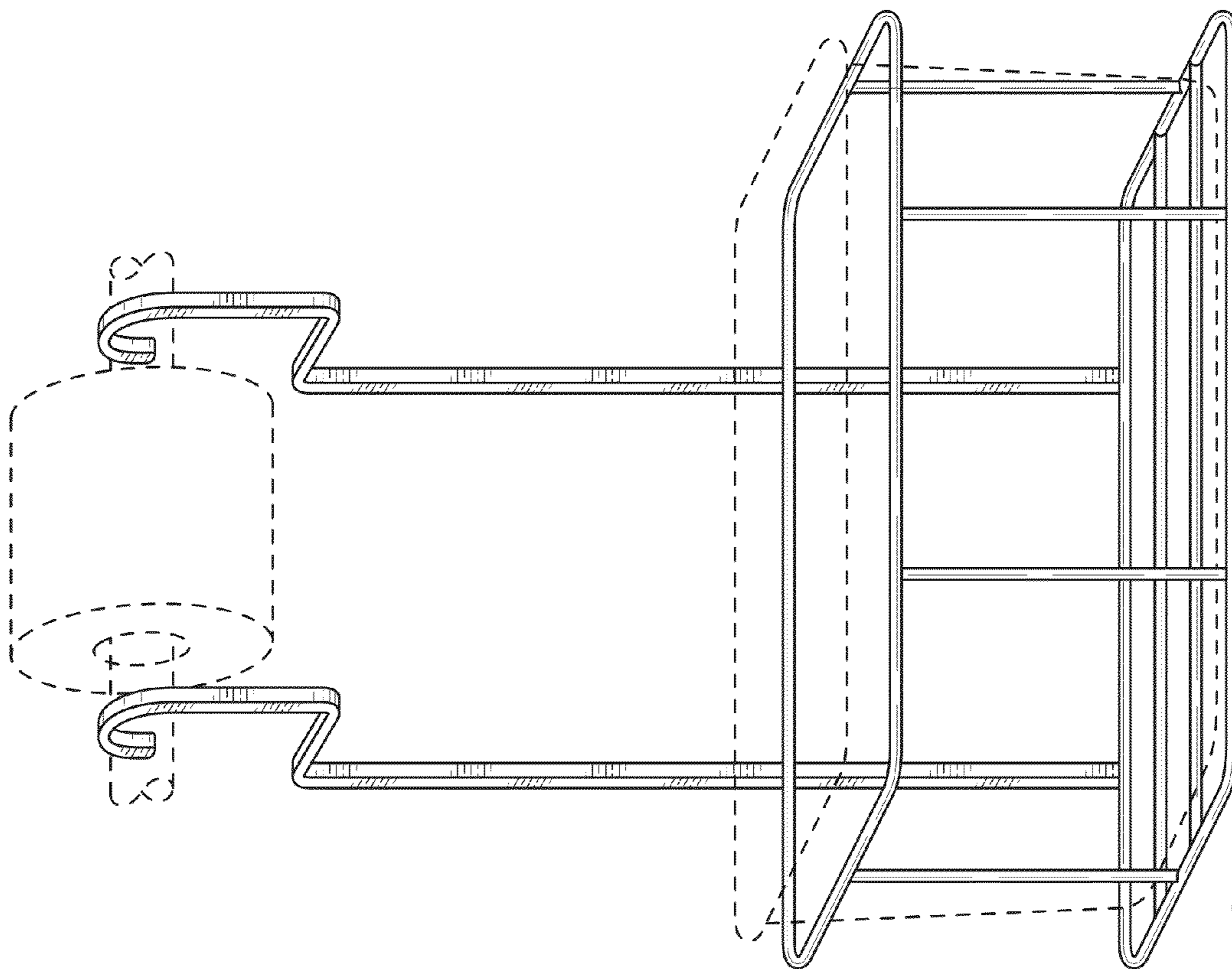


FIG. 1

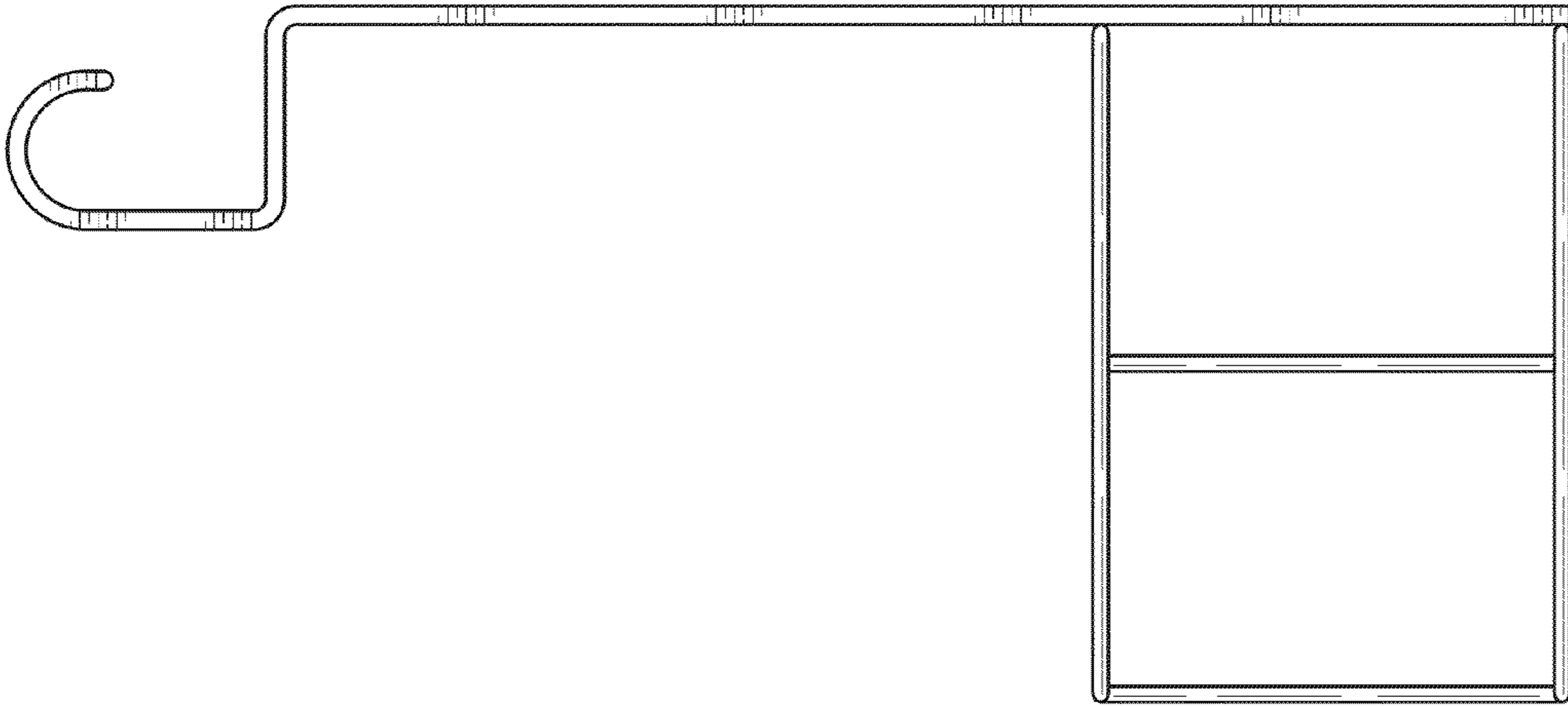


FIG. 4

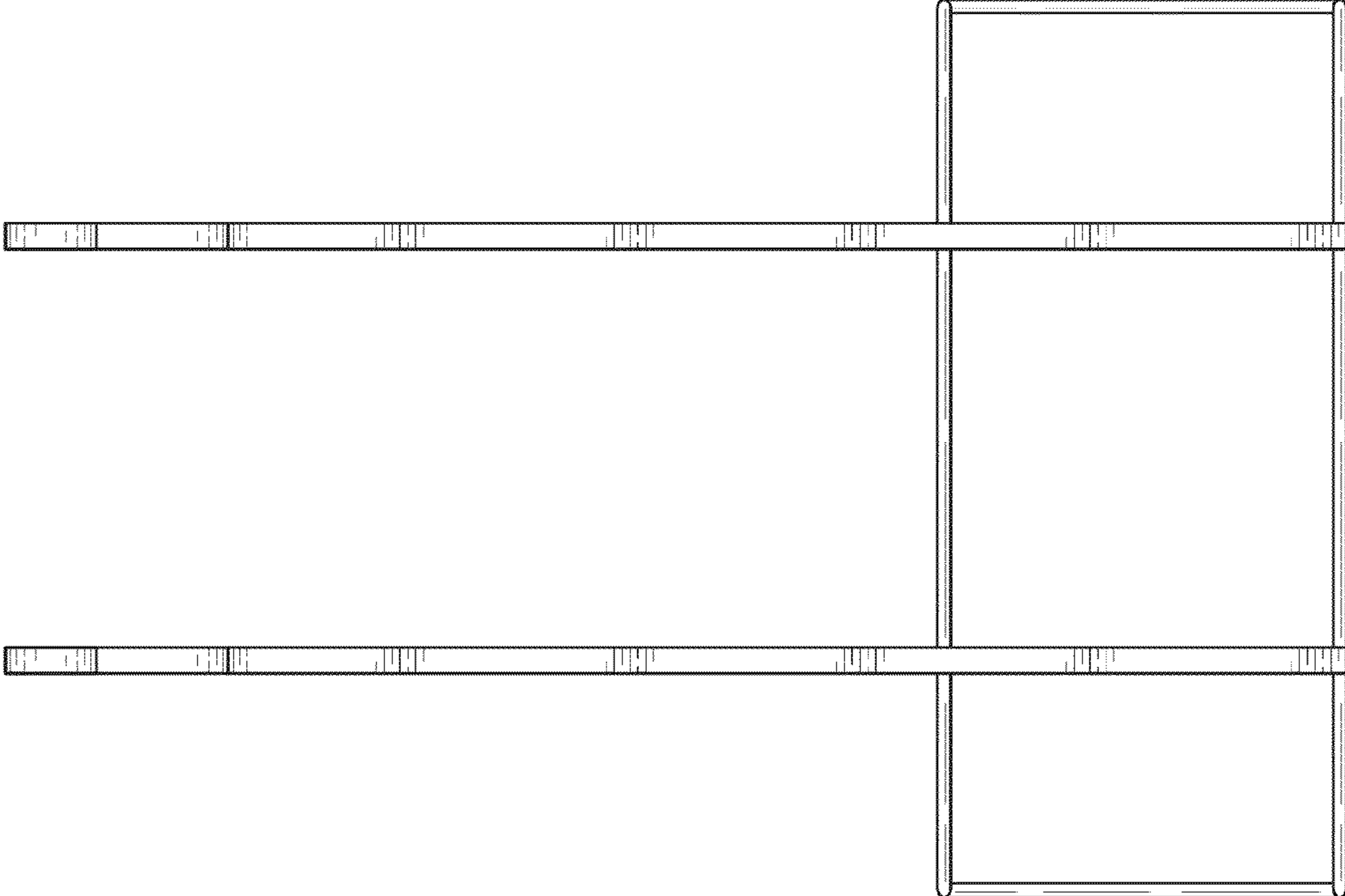


FIG. 3

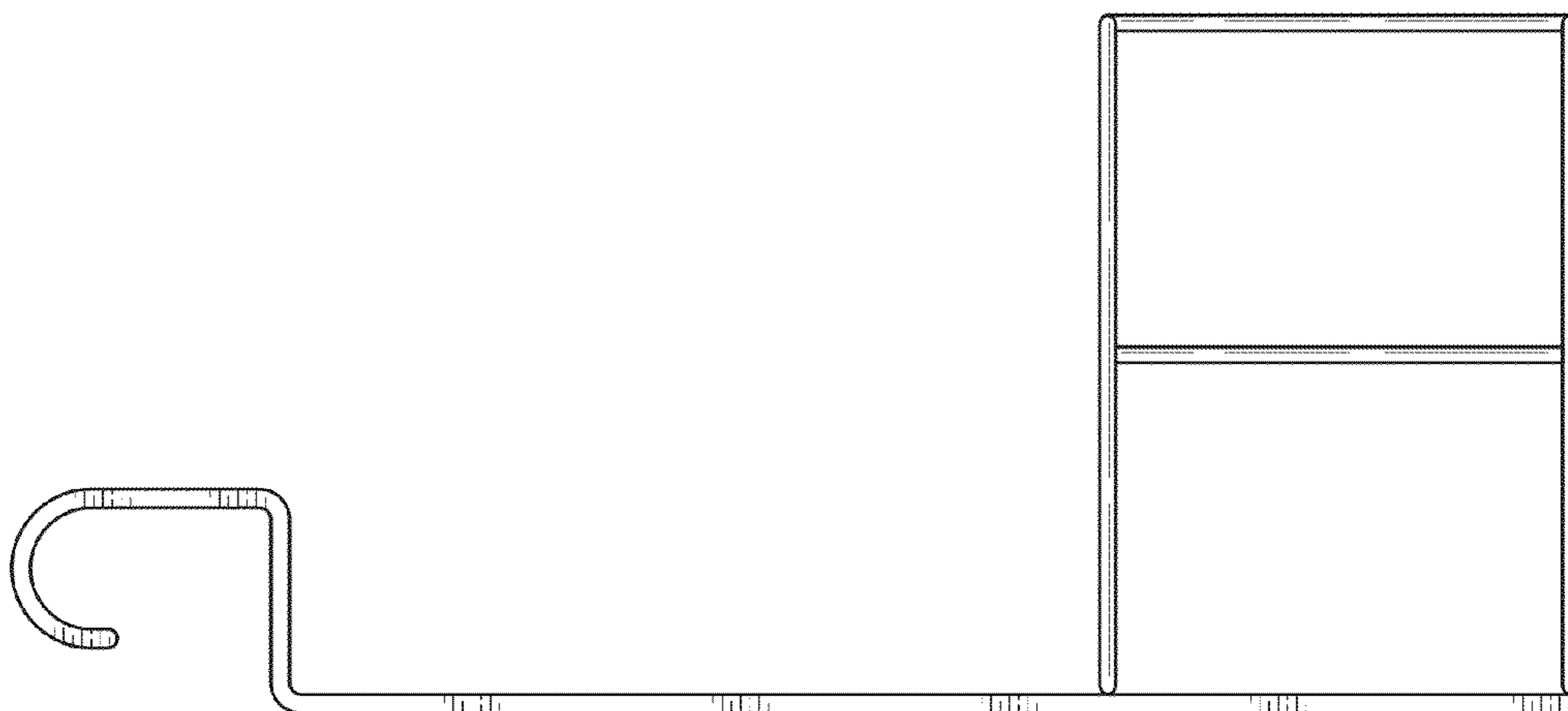


FIG. 5

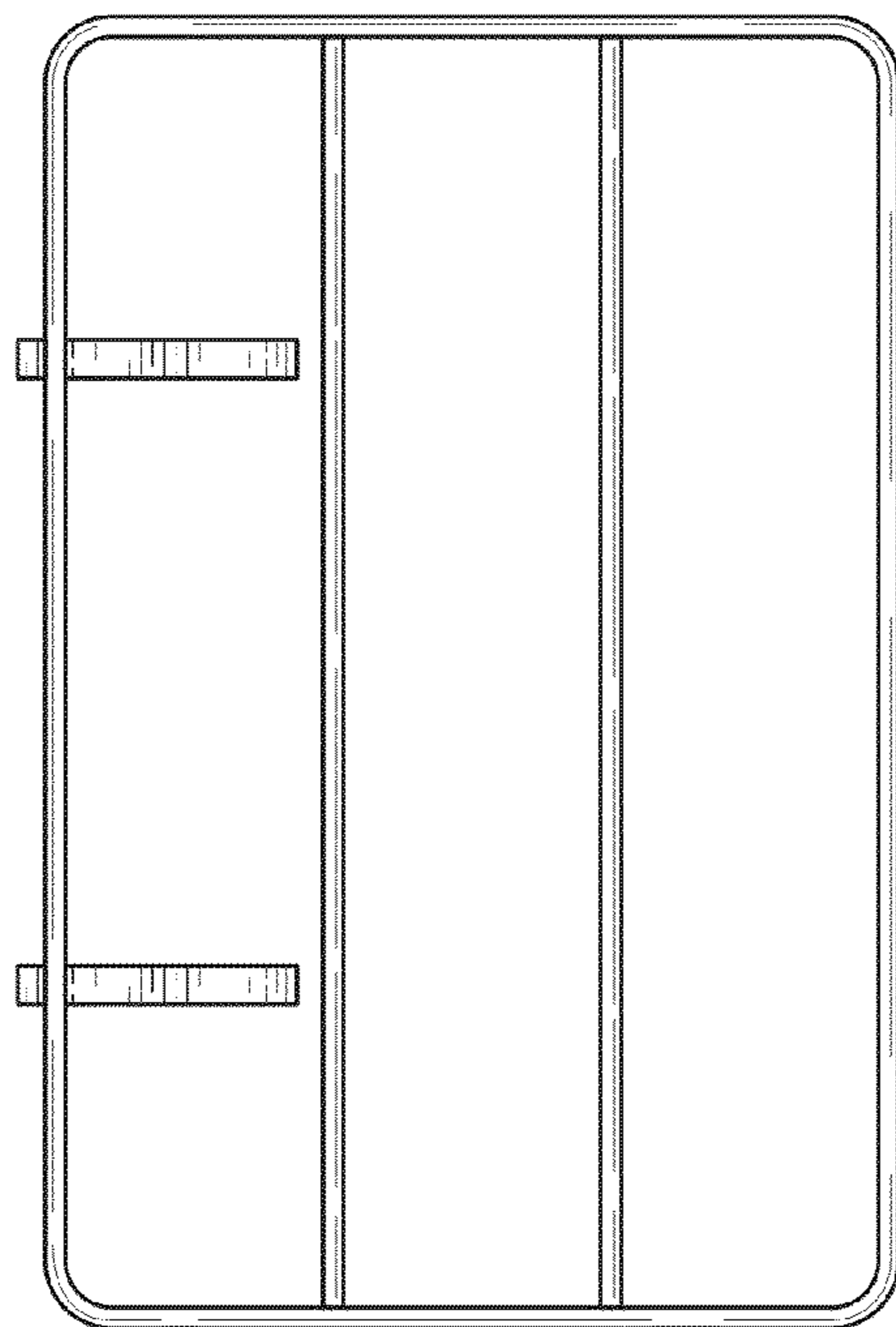


FIG. 6