

US00D695538S

(12) **United States Design Patent**
Geelen

(10) **Patent No.:** **US D695,538 S**

(45) **Date of Patent:** **** Dec. 17, 2013**

- (54) **SEATING FURNITURE**
- (71) Applicant: **Kusch+Co. GmbH & Co. KG,**
Hallenberg (DE)
- (72) Inventor: **Norbert Geelen,** Straelen (DE)
- (73) Assignee: **Kusch + Co. GmbH & Co. KG,**
Hallenberg (DE)
- (**) Term: **14 Years**
- (21) Appl. No.: **29/452,446**
- (22) Filed: **Apr. 16, 2013**
- (51) **LOC (9) Cl.** **06-01**
- (52) **U.S. Cl.**
USPC **D6/366**
- (58) **Field of Classification Search**
USPC D6/334–336, 344–353, 360–381, 388,
D6/403, 491–502, 692, 708, 716,
D6/716.2–716.4; 297/16.1, 22, 31, 35,
297/217.1, 228.12, 239, 256.16, 271.6,
297/284.4–284.5, 291, 297, 302.4, 411.2,
297/411.27–411.29, 411.43, 423.1, 423.12,
297/440.11, 440.15, 440.24, 448.1, 451.4,
297/452.13, 452.18, 452.19, 452.21,
297/452.27, 452.29, 452.3, 452.41, 452.56,
297/452.64

D548,994 S *	8/2007	Mao et al.	D6/366
D549,473 S *	8/2007	Wagner	D6/366
D550,976 S *	9/2007	Bellini et al.	D6/366
D554,877 S *	11/2007	Tsai	D6/366
D557,024 S *	12/2007	Chen	D6/366
D559,572 S *	1/2008	Igarashi	D6/366
D568,623 S *	5/2008	Dauphin	D6/366
D572,493 S *	7/2008	Zhang	D6/366
D573,361 S *	7/2008	Kung	D6/366
D576,813 S *	9/2008	Baldanzi et al.	D6/366
D576,814 S *	9/2008	Baldanzi et al.	D6/366
D610,822 S *	3/2010	Chen	D6/366
D634,558 S *	3/2011	Deisig	D6/366
D638,635 S *	5/2011	Sander et al.	D6/366
D650,617 S *	12/2011	Chen	D6/500
D655,524 S *	3/2012	Kim	D6/366
D665,590 S *	8/2012	Wagner	D6/366
D665,591 S *	8/2012	Tanaka et al.	D6/366
D683,151 S *	5/2013	Smith et al.	D6/366
2008/0122284 A1 *	5/2008	Yang	297/452.56

* cited by examiner

Primary Examiner — Ricky Pham
(74) *Attorney, Agent, or Firm* — Kilpatrick Townsend & Stockton LLP

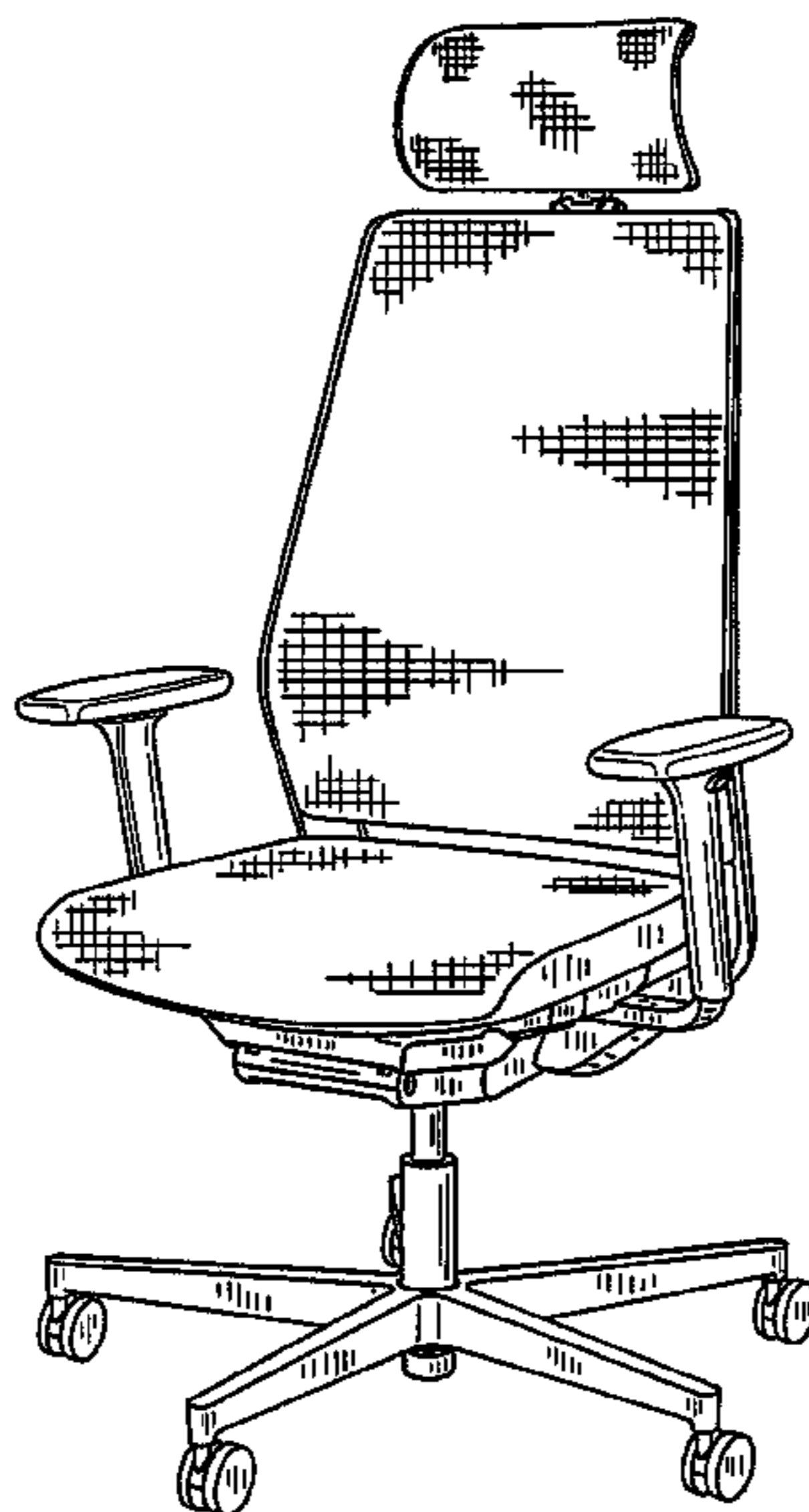
(57) **CLAIM**
The ornamental design for seating furniture, as shown and described.

DESCRIPTION

FIG. 1 is a perspective view of the seating furniture from the front.
FIG. 2 is a view from the front.
FIG. 3 is a view from the back.
FIG. 4 is a view from the right side.
FIG. 5 is a view from the left side.
FIG. 6 is a view from the top; and,
FIG. 7 is a view from the bottom.

1 Claim, 7 Drawing Sheets

- (56) **References Cited**
U.S. PATENT DOCUMENTS
- D436,260 S * 1/2001 Nagamitsu D6/366
- D499,564 S * 12/2004 Meda D6/366
- D507,124 S * 7/2005 Yang D6/366
- D512,232 S * 12/2005 Wu D6/366
- D523,252 S * 6/2006 Rodriguez Leitao D6/366
- D543,717 S * 6/2007 Chen D6/366



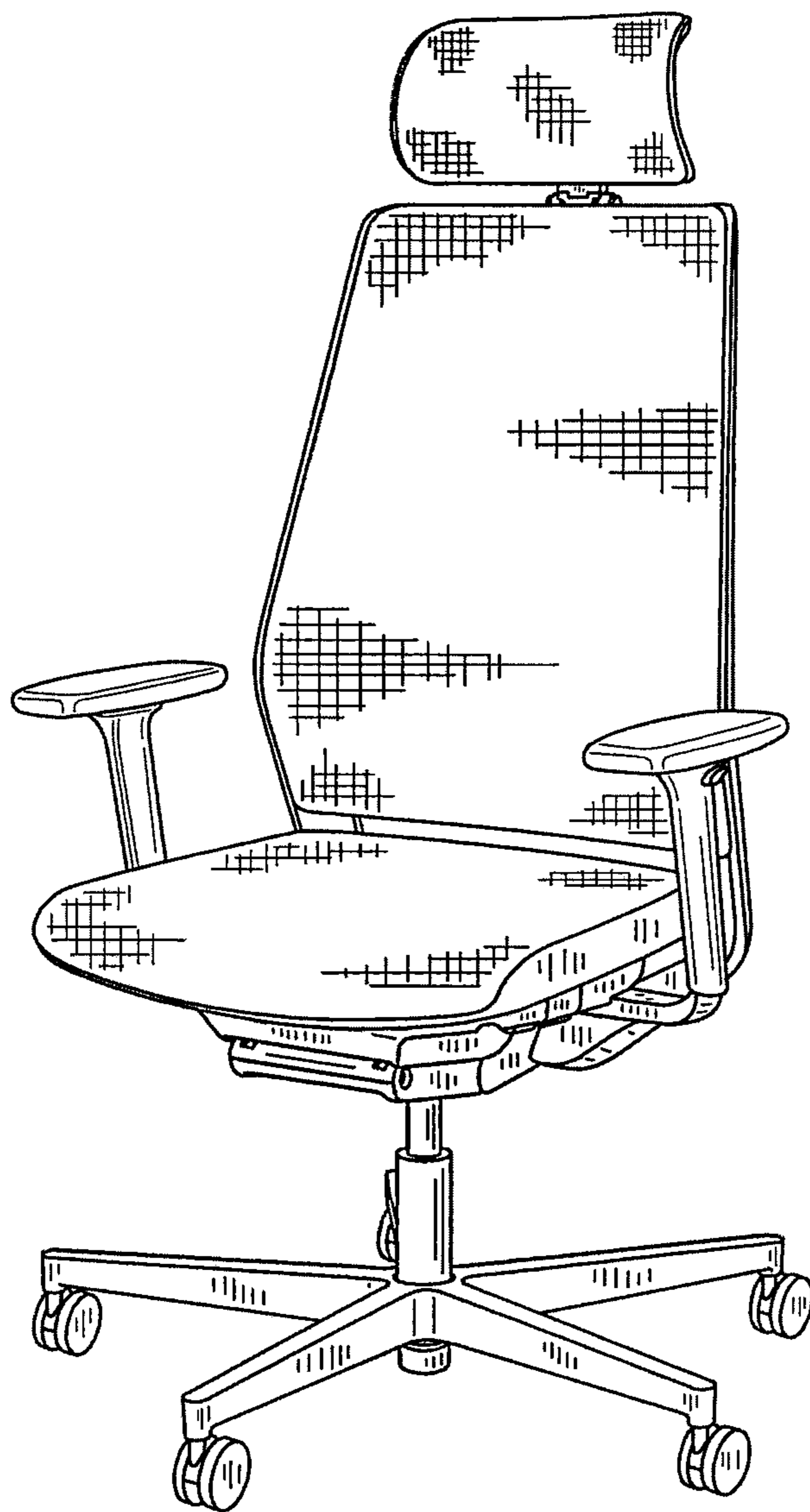


FIG. 1

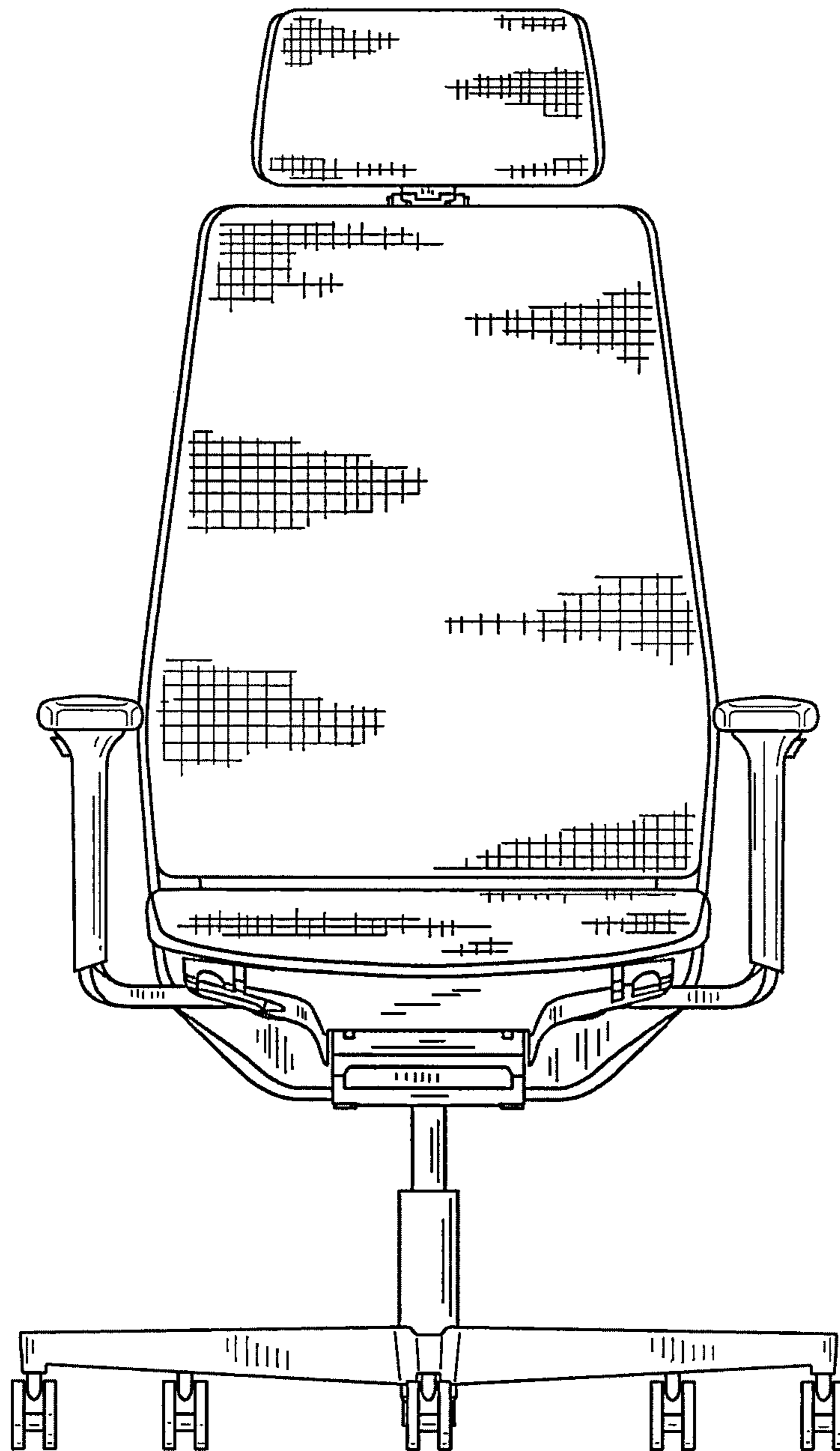


FIG.2

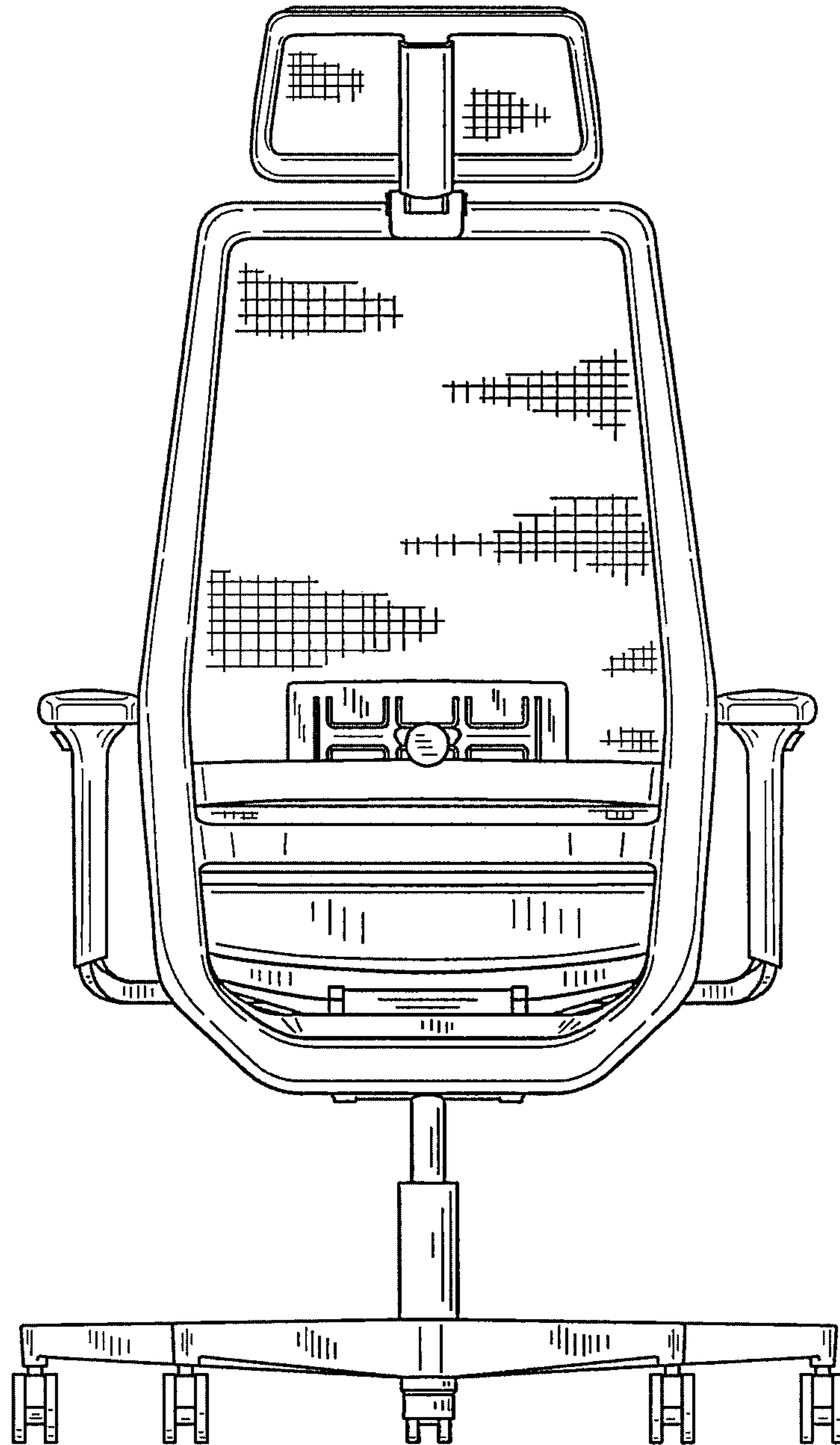


FIG.3

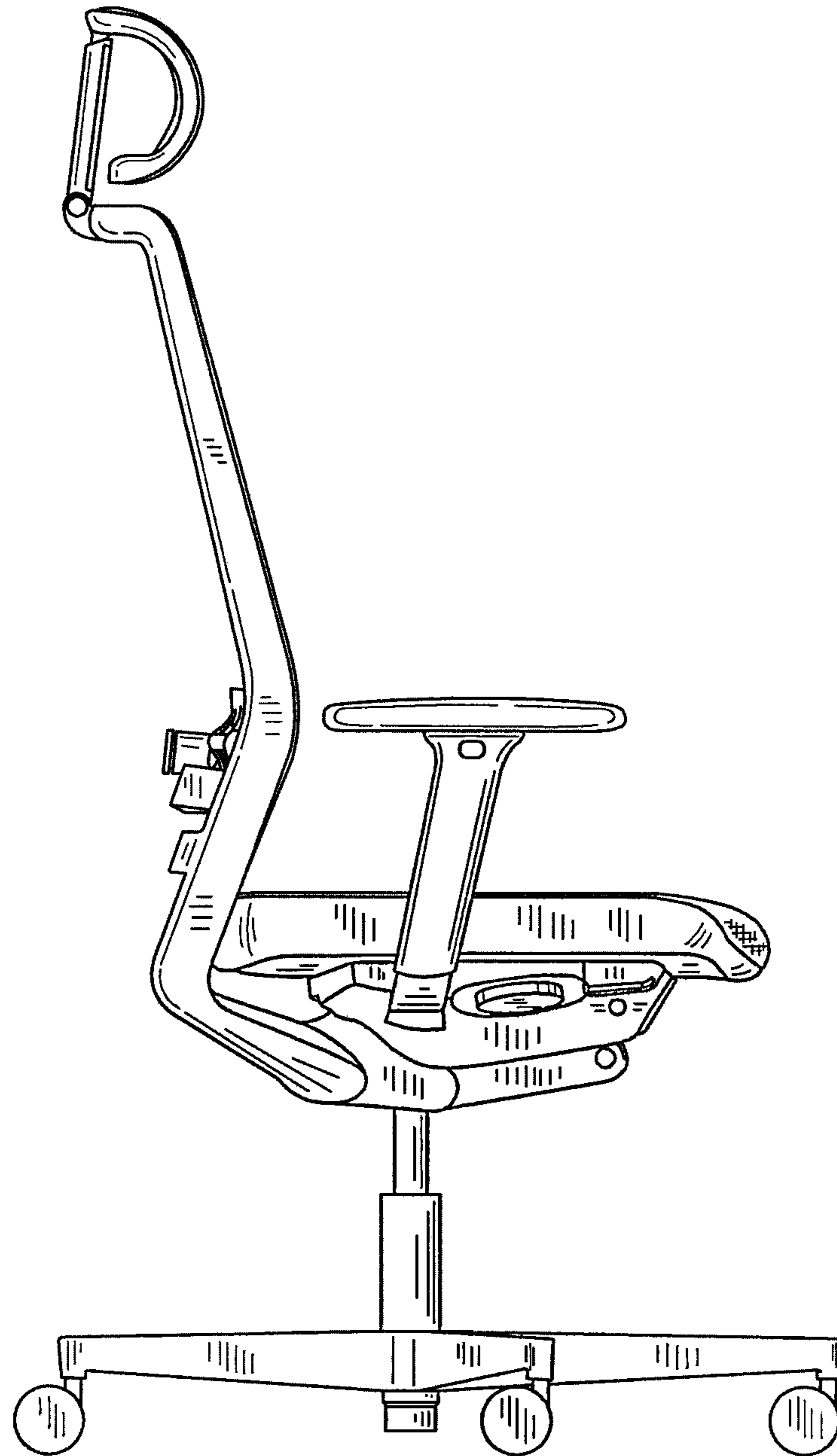


FIG.4

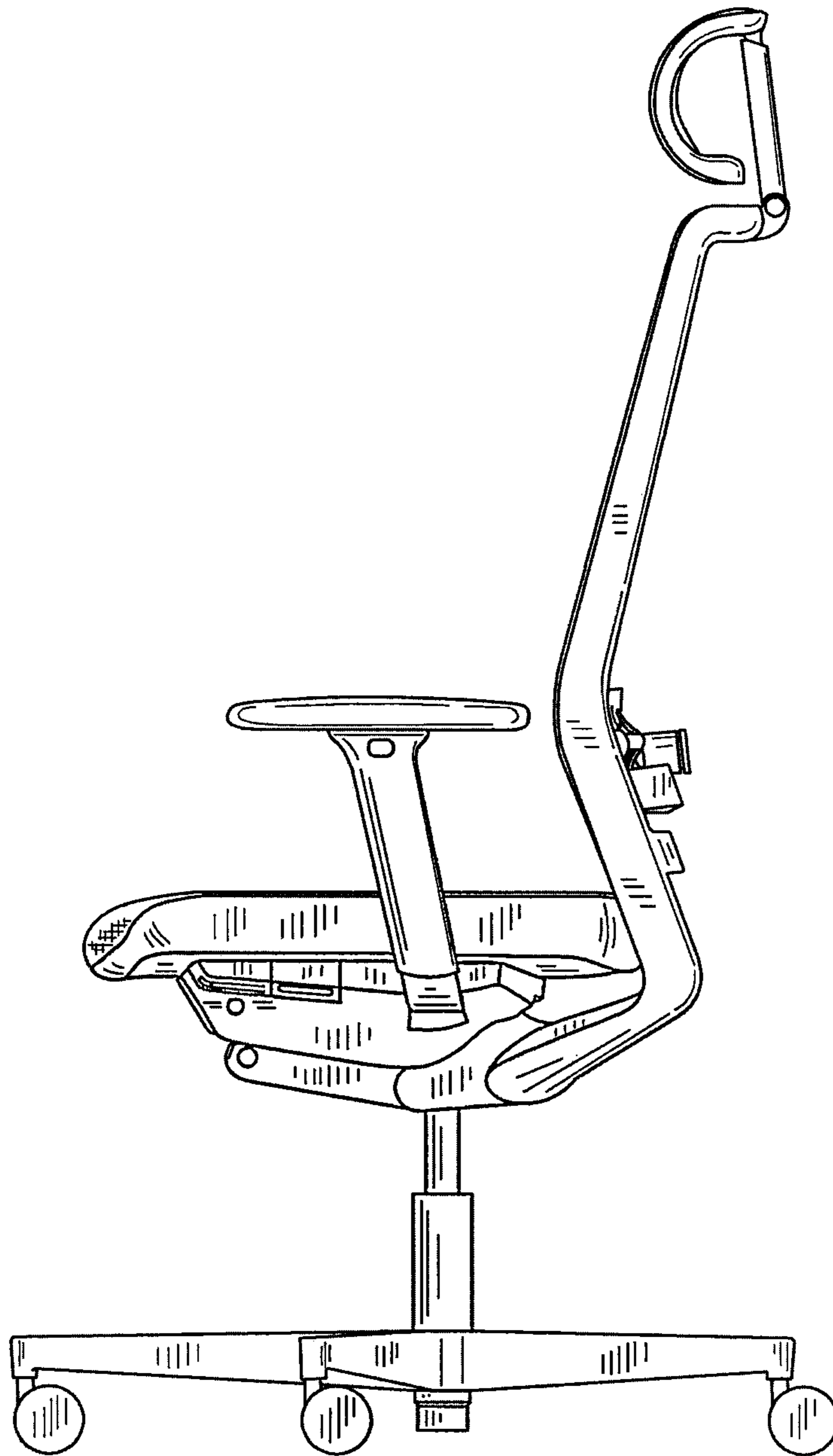


FIG.5

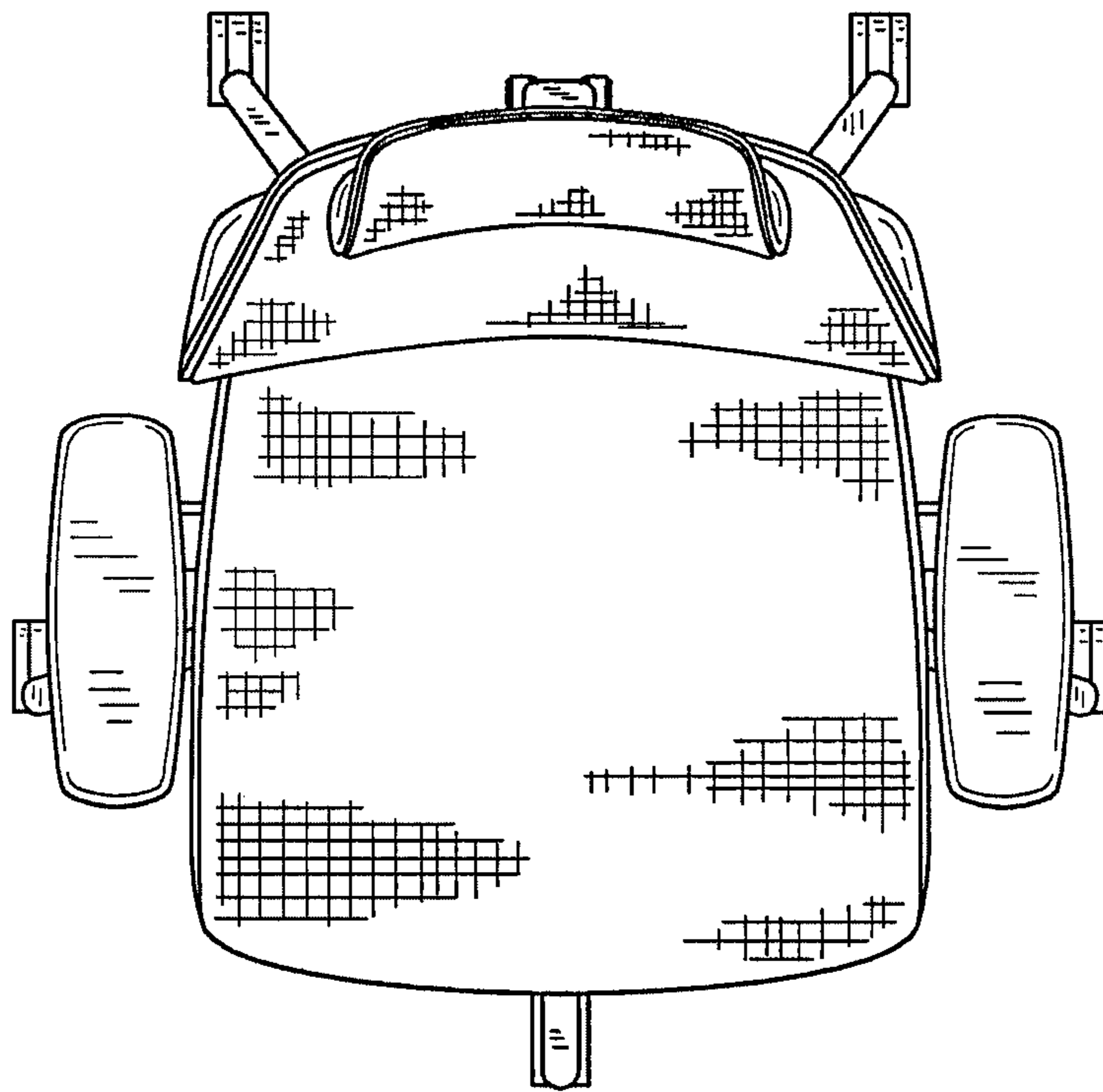


FIG.6

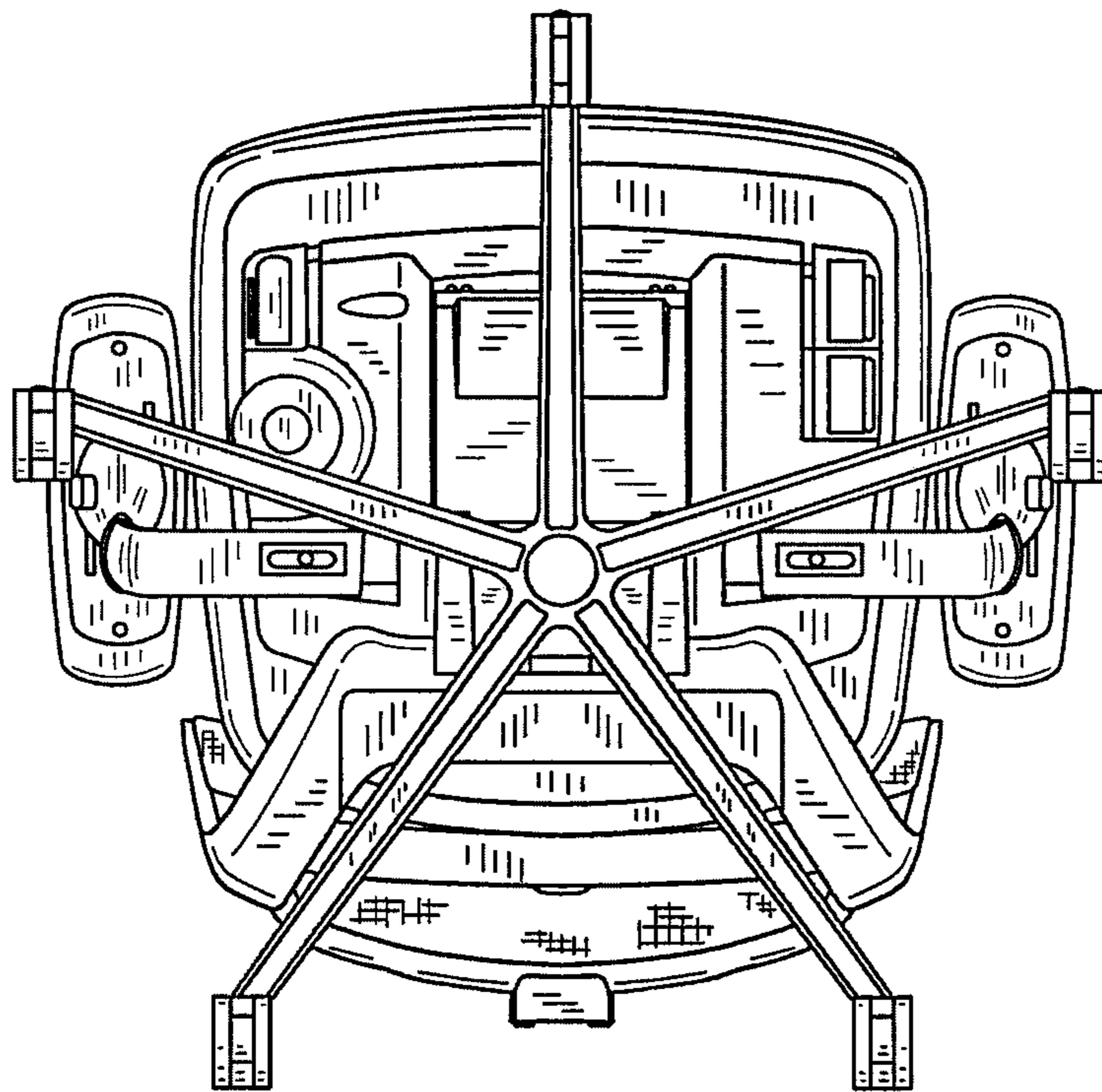


FIG.7