



US00D695537S

(12) **United States Design Patent**
Geelen

(10) **Patent No.:** **US D695,537 S**
(45) **Date of Patent:** **** Dec. 17, 2013**

(54) **SEATING FURNITURE**

(71) Applicant: **Kusch + Co. GmbH & Co. KG,**
Hallenberg (DE)

(72) Inventor: **Norbert Geelen,** Straelen (DE)

(73) Assignee: **Kusch + Co. GmbH & Co. KG,**
Hallenberg (DE)

(**) Term: **14 Years**

(21) Appl. No.: **29/452,443**

(22) Filed: **Apr. 16, 2013**

(30) **Foreign Application Priority Data**

Oct. 18, 2012 (EM) 002121236

(51) **LOC (9) Cl.** **06-01**

(52) **U.S. Cl.**
USPC **D6/366**

(58) **Field of Classification Search**
USPC D6/334-336, 344-353, 360-381, 388,
D6/403, 491-502, 692, 708, 716,
D6/716.2-716.4; 297/16.1, 22, 31, 35,
297/217.1, 228.12, 239, 256.16, 271.6,
297/284.4-284.5, 291, 297, 302.4, 411.2,
297/411.27-411.29, 411.43, 423.1, 423.12,
297/440.11, 440.15, 440.24, 448.1, 451.4,
297/452.13, 452.18, 452.19, 452.21,
297/452.27, 452.29, 452.3, 452.41, 452.56,
297/452.64

See application file for complete search history.

(56) **References Cited**

U.S. PATENT DOCUMENTS

D355,303 S * 2/1995 Scheper et al. D6/366
D369,918 S * 5/1996 Beaulieu D6/366
D403,520 S * 1/1999 Wilson D6/366

D405,618 S * 2/1999 Reutepohler et al. D6/366
D411,395 S * 6/1999 Edwards D6/500
D418,316 S * 1/2000 Vogtherr D6/366
D429,422 S * 8/2000 De Lucchi et al. D6/366
D447,368 S * 9/2001 Lee D6/501
D502,829 S * 3/2005 Grove D6/501
D530,935 S * 10/2006 Huang D6/366
D534,383 S * 1/2007 Chu D6/501
D542,549 S * 5/2007 Hara D6/366
D543,040 S * 5/2007 Hara D6/366
D550,001 S * 9/2007 Mazzerla D6/501
D558,998 S * 1/2008 Hara D6/366
D570,126 S * 6/2008 Zhang D6/366
D572,924 S * 7/2008 Huang D6/366
D583,161 S * 12/2008 Huang D6/366
D600,461 S * 9/2009 Sexton D6/366
D623,879 S * 9/2010 Kubryk D6/500
D647,717 S * 11/2011 Zund et al. D6/366
D655,112 S * 3/2012 Kubryk D6/500
D655,523 S * 3/2012 Neil D6/366
D659,417 S * 5/2012 Schmitz et al. D6/366
D666,436 S * 9/2012 Egger D6/501
D667,232 S * 9/2012 Yang D6/366

* cited by examiner

Primary Examiner — Ricky Pham

(74) *Attorney, Agent, or Firm* — Kilpatrick Townsend & Stockton LLP

(57) **CLAIM**

The ornamental design for seating furniture, as shown and described.

DESCRIPTION

FIG. 1 is a perspective view of the seating furniture from the front.

FIG. 2 is a view from the front.

FIG. 3 is a view from the back.

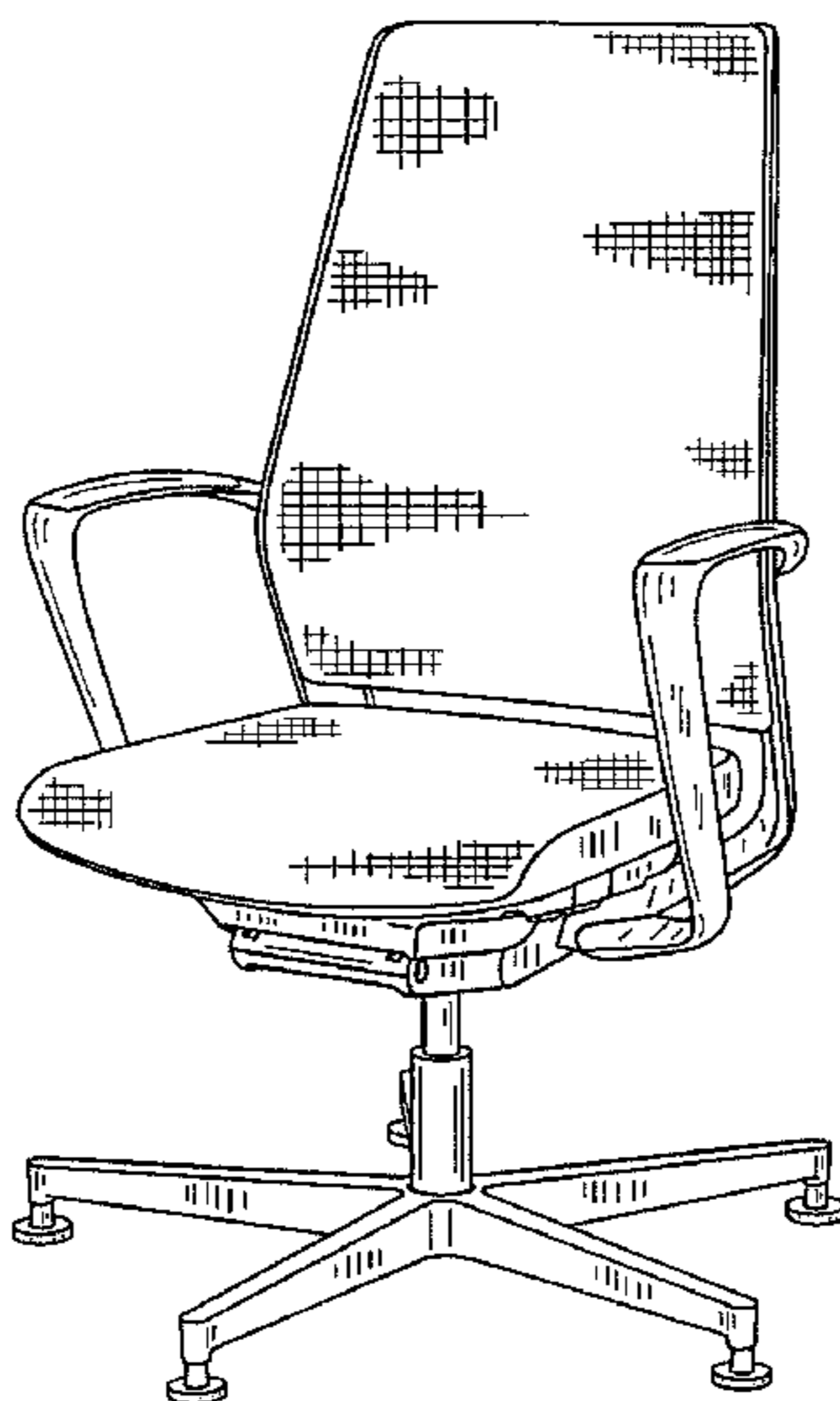
FIG. 4 is a view from the right side.

FIG. 5 is a view from the left side.

FIG. 6 is a view from the top; and,

FIG. 7 is a view from the bottom.

1 Claim, 7 Drawing Sheets



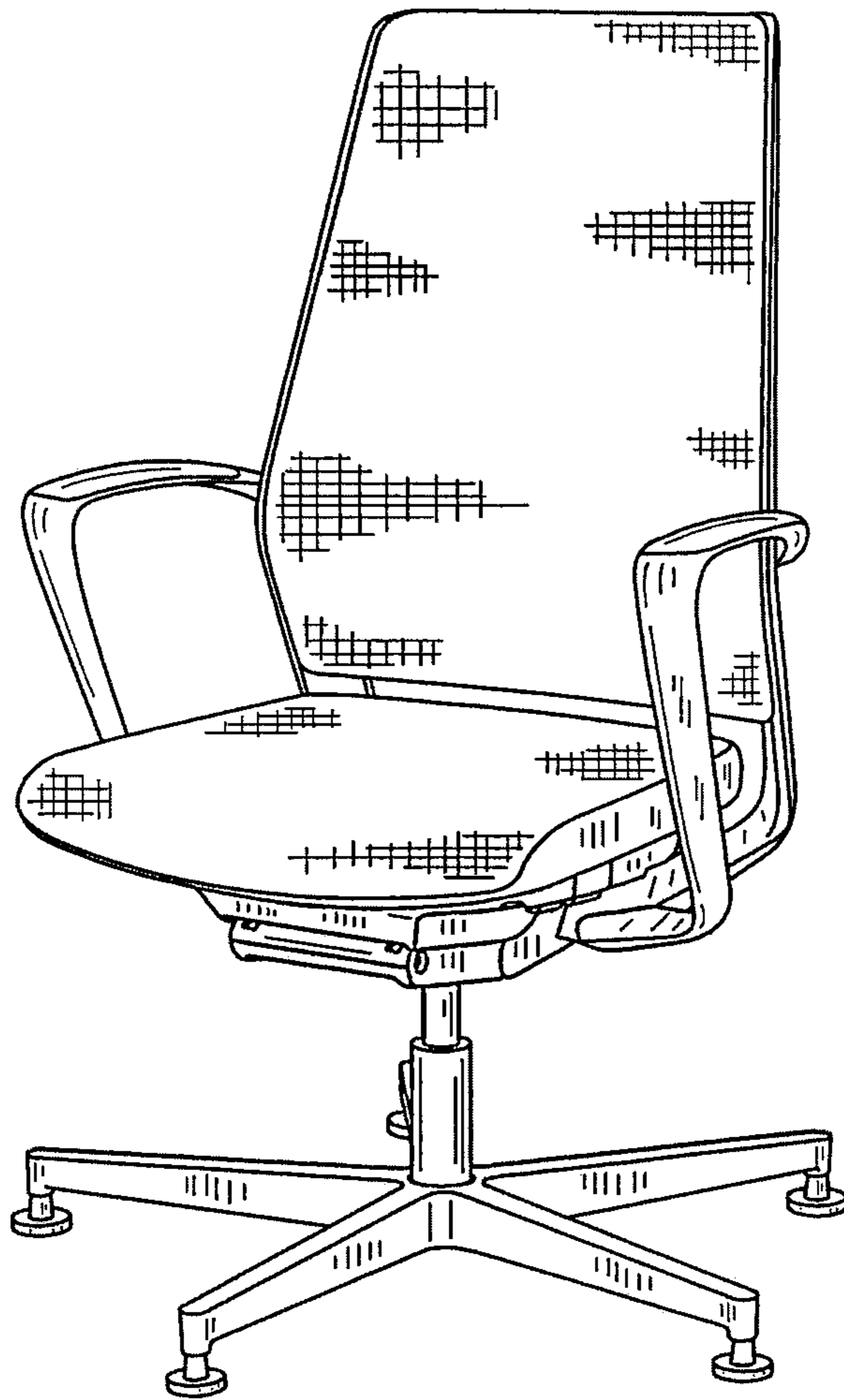


FIG. 1

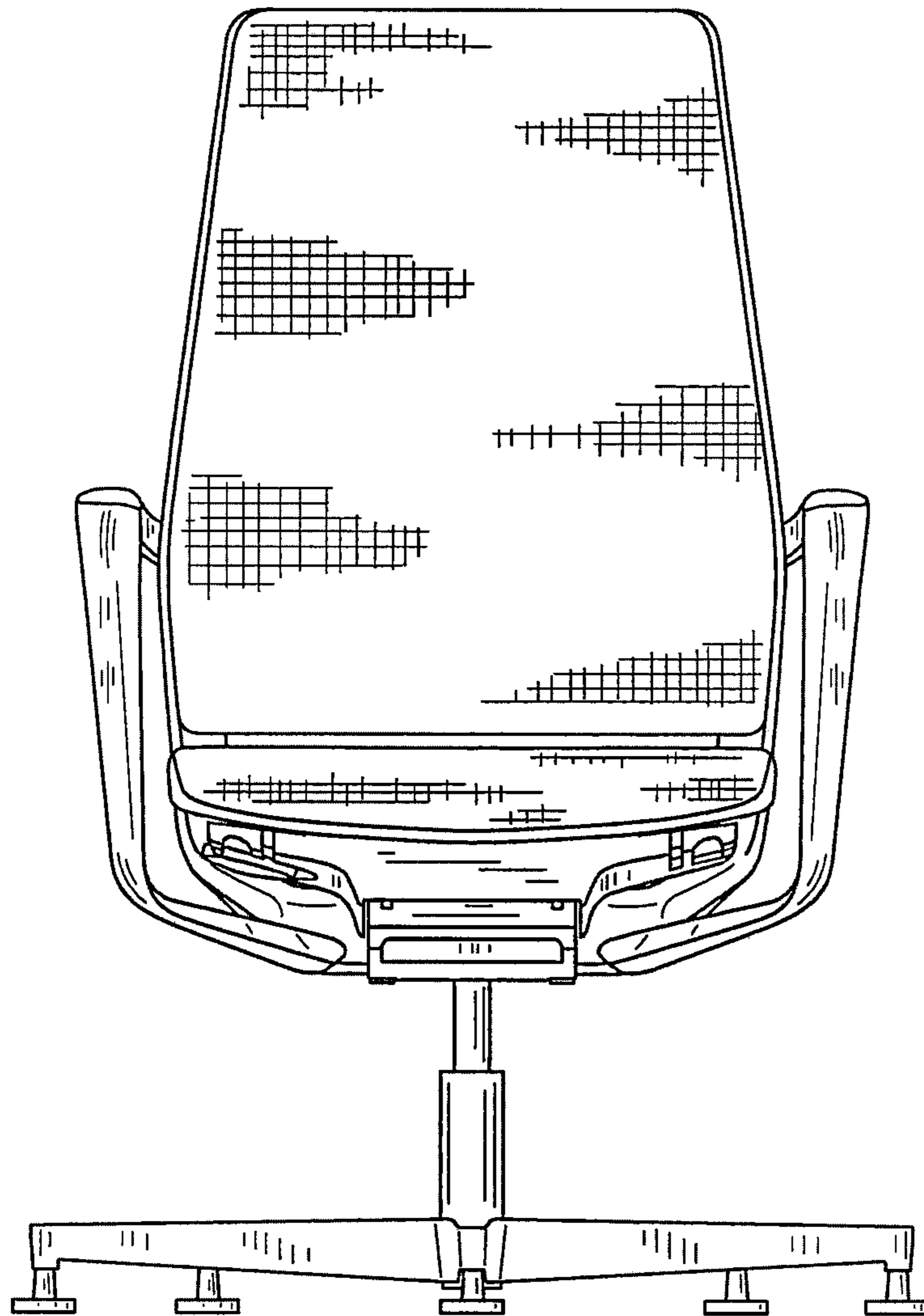


FIG.2

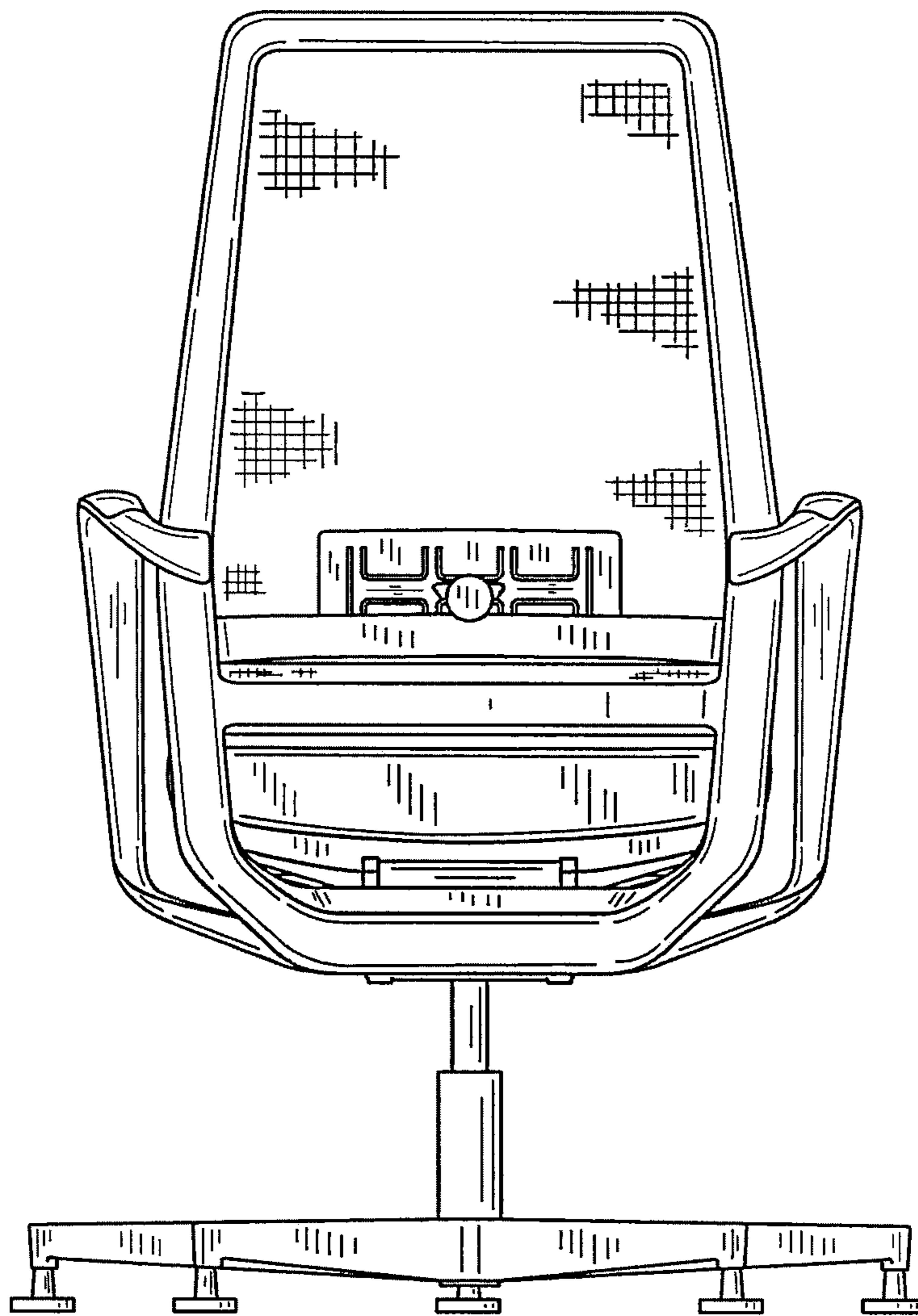


FIG.3

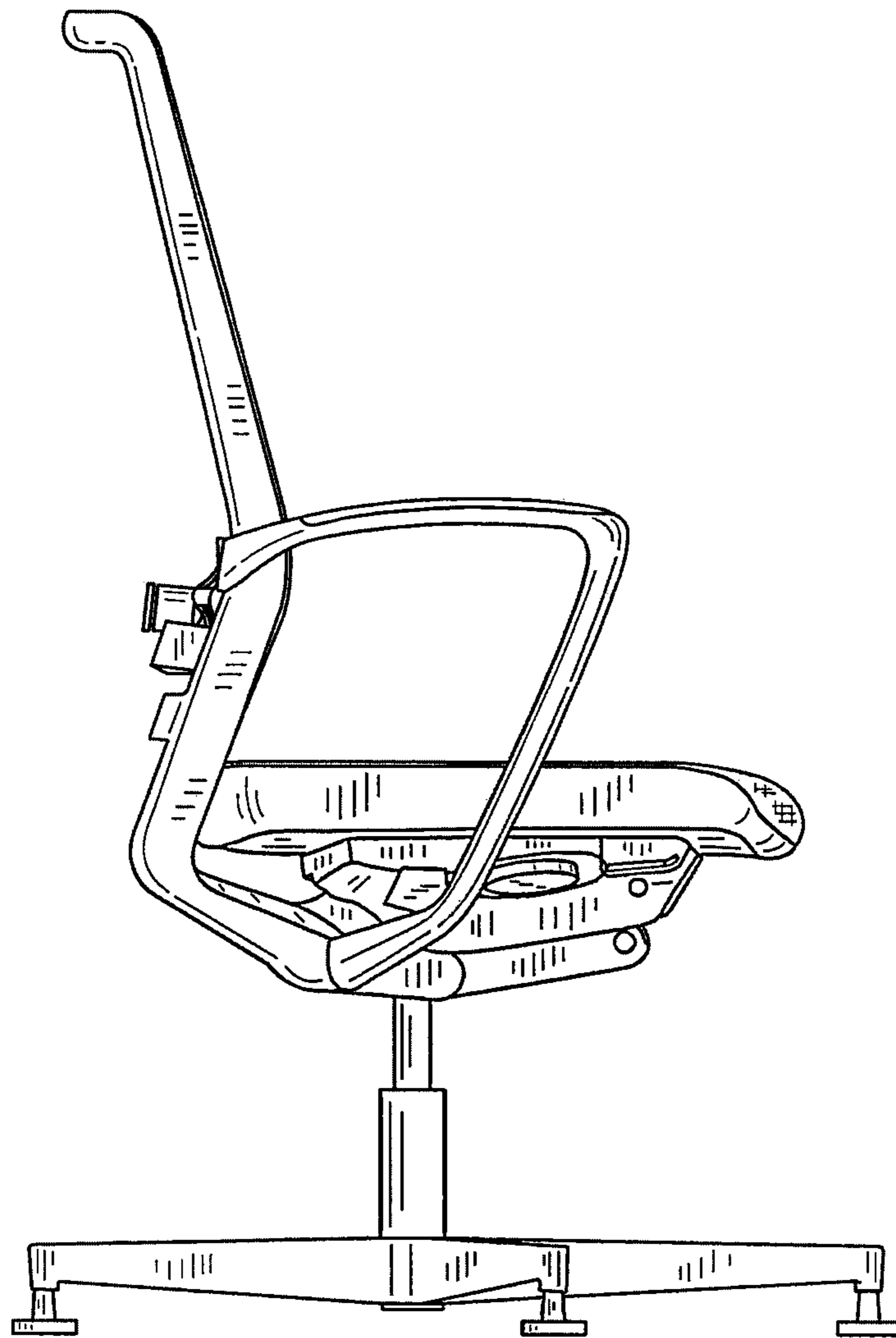


FIG.4

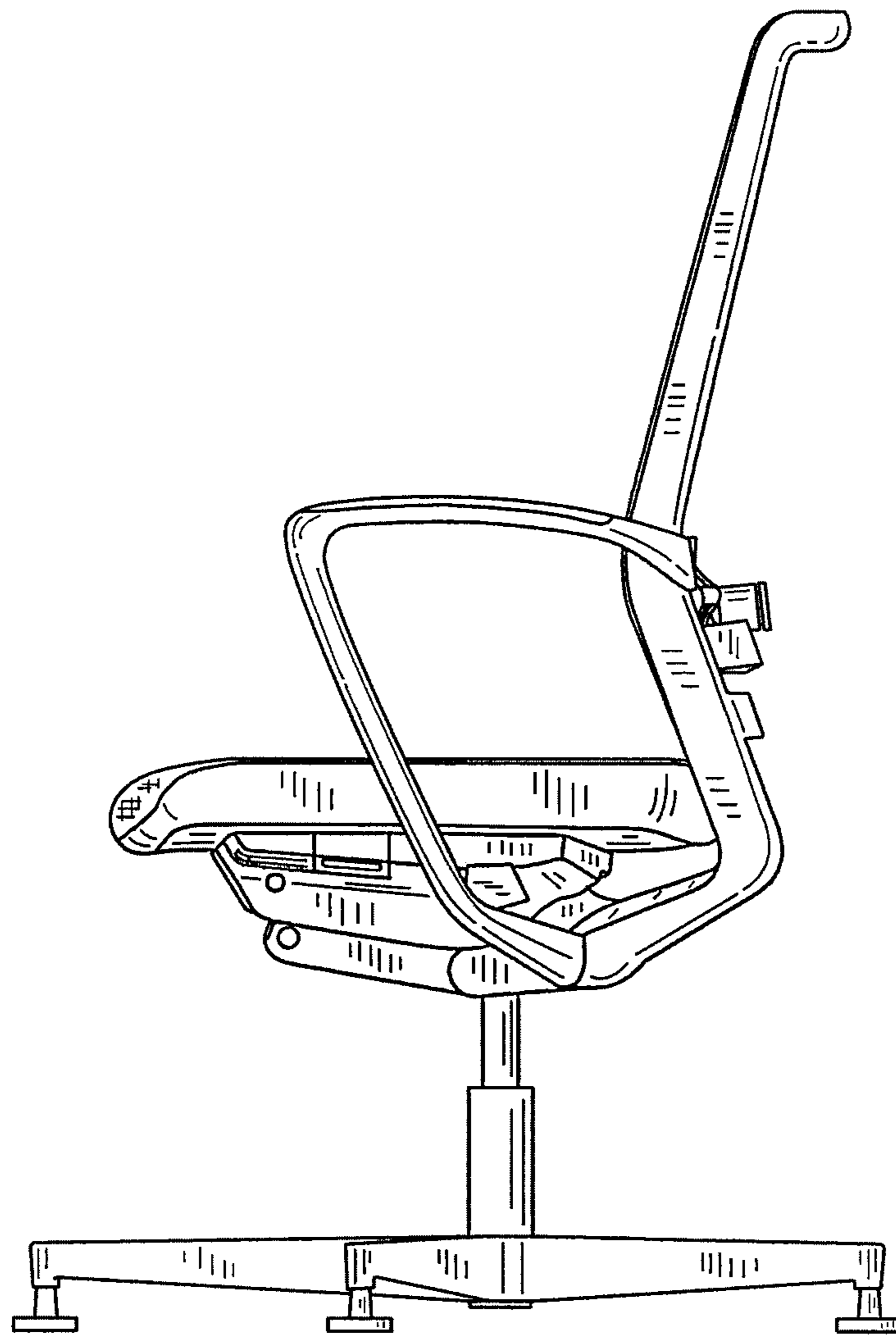


FIG. 5

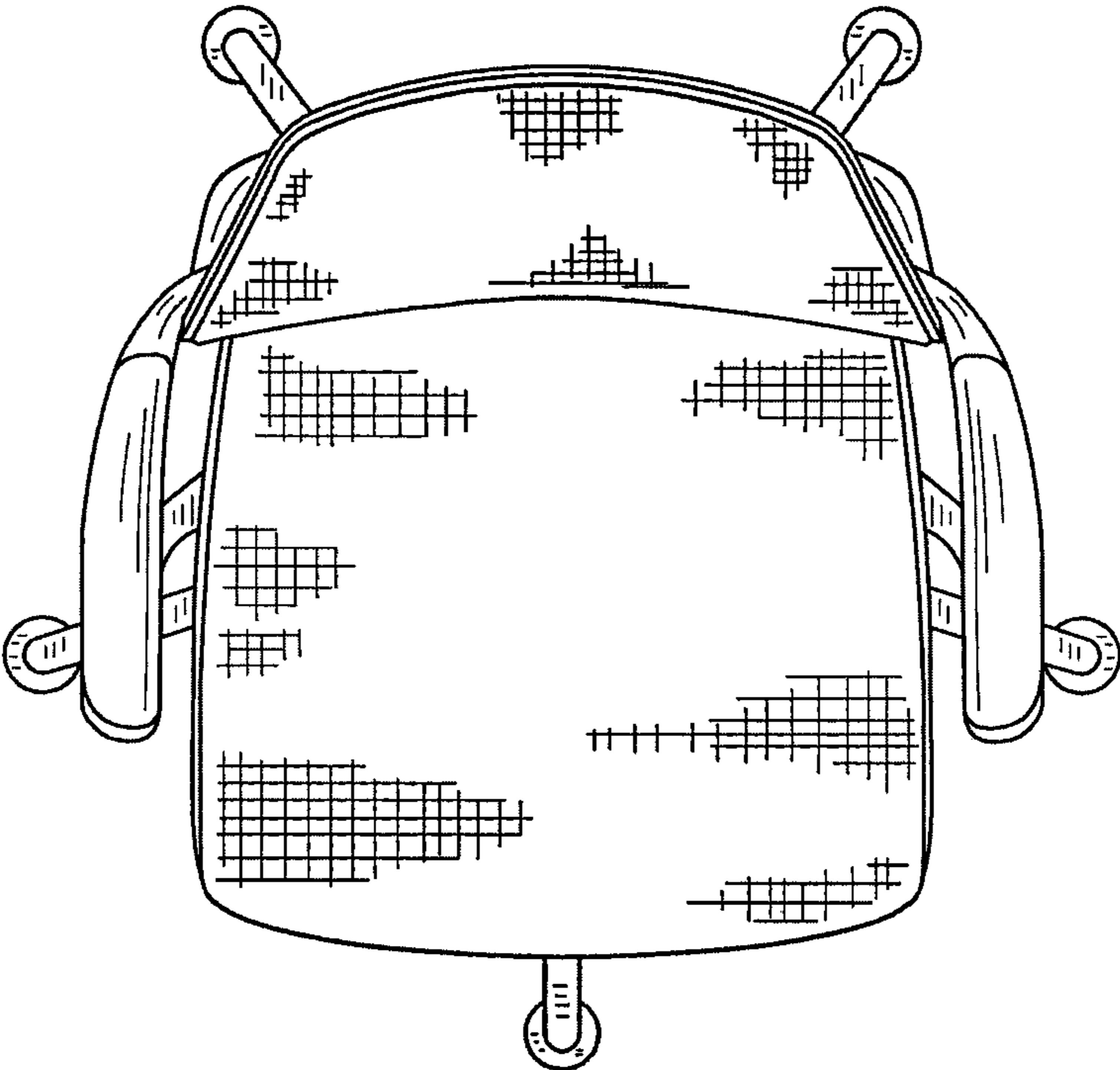


FIG.6

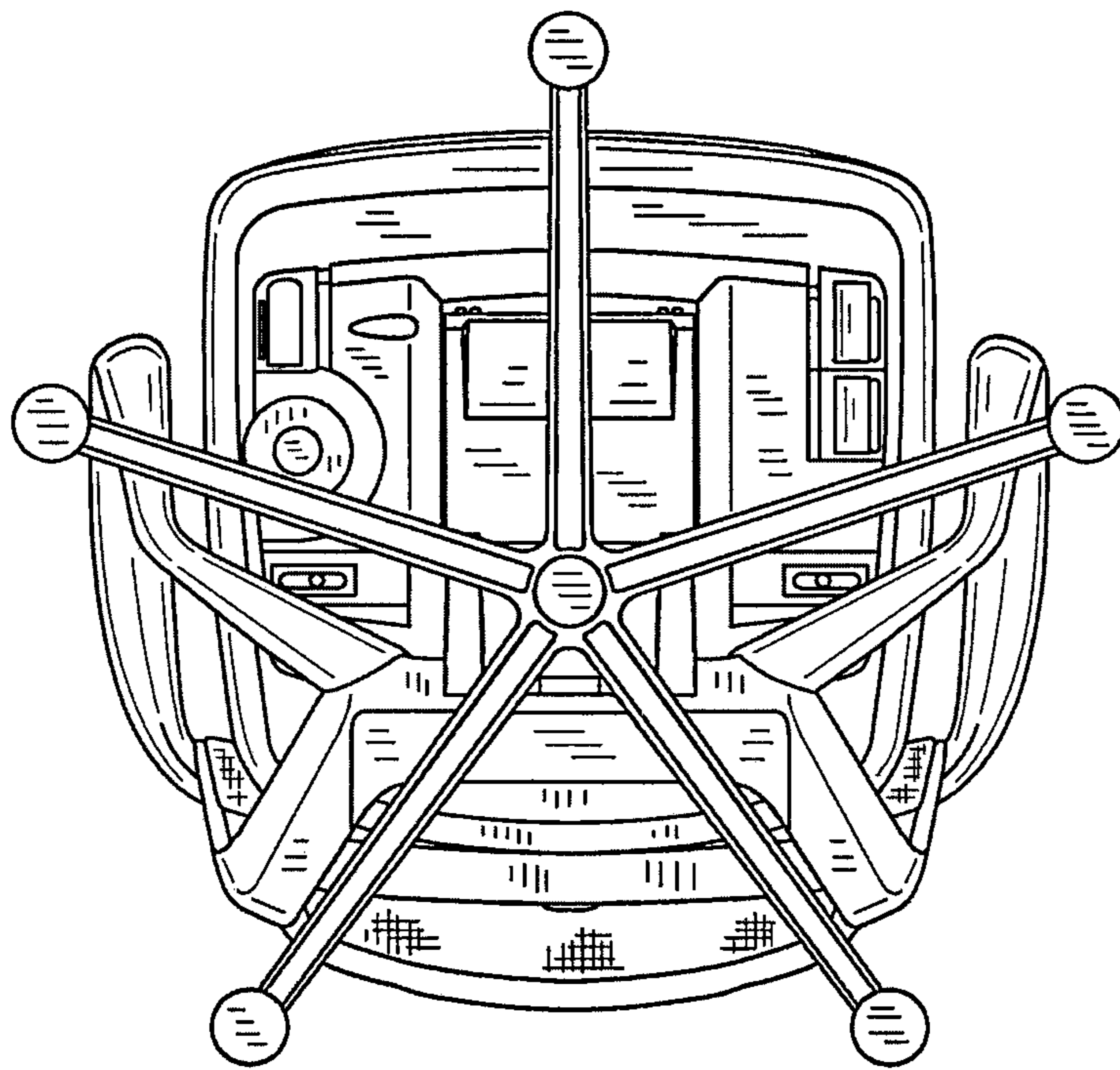


FIG.7