



US00D695524S

(12) **United States Design Patent**  
**Manderino**

(10) **Patent No.:** **US D695,524 S**

(45) **Date of Patent:** **\*\* Dec. 17, 2013**

(54) **CONTAINER FOR A STRING USED ON A WEED EATER**

(76) Inventor: **Scott A. Manderino**, Topeka, KS (US)

(\*\*) Term: **14 Years**

(21) Appl. No.: **29/414,787**

(22) Filed: **Mar. 2, 2012**

(51) **LOC (9) Cl.** ..... **03-01**

(52) **U.S. Cl.**  
USPC ..... **D3/302**

(58) **Field of Classification Search**  
USPC ..... D3/302; 30/276; 206/576, 701, 703,  
206/320, 37-38, 235

See application file for complete search history.

(56) **References Cited**

**U.S. PATENT DOCUMENTS**

1,802,104	A	4/1931	Bilger et al.	
4,200,249	A	4/1980	Synstelien et al.	
4,958,733	A *	9/1990	Masuda	206/409
5,695,148	A	12/1997	Christensen	
D450,563	S *	11/2001	Leonardi et al.	D8/356

\* cited by examiner

*Primary Examiner* — Holly Baynham

(74) *Attorney, Agent, or Firm* — RG Patent Consulting LLC;  
Rachel Gilboy

(57) **CLAIM**

I claim the ornamental design for a container for a string used on a weed eater, as shown and described.

**DESCRIPTION**

FIG. 1 is a front, top and side perspective view of the container for a string used on a weed eater embodying the design of the present invention.

FIG. 2 is a side elevational view thereof.

FIG. 3 is a side elevational view thereof.

FIG. 4 is a top plan view thereof.

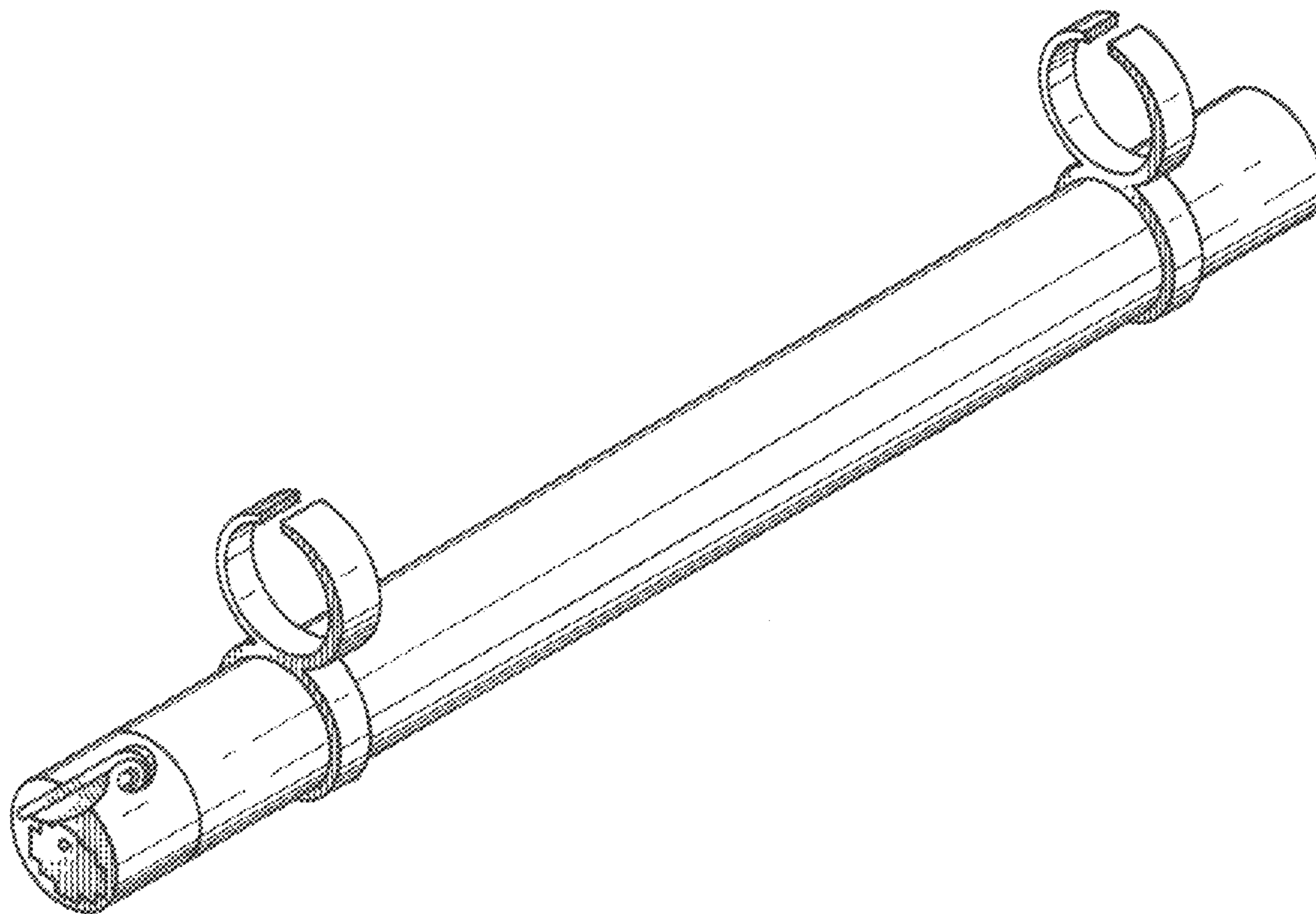
FIG. 5 is a bottom view thereof.

FIG. 6 is an end elevational view thereof; and,

FIG. 7 is an end elevational view thereof.

In use, the container is mounted on the handle of the weed eater between the proximal and distal ends of the handle.

**1 Claim, 4 Drawing Sheets**



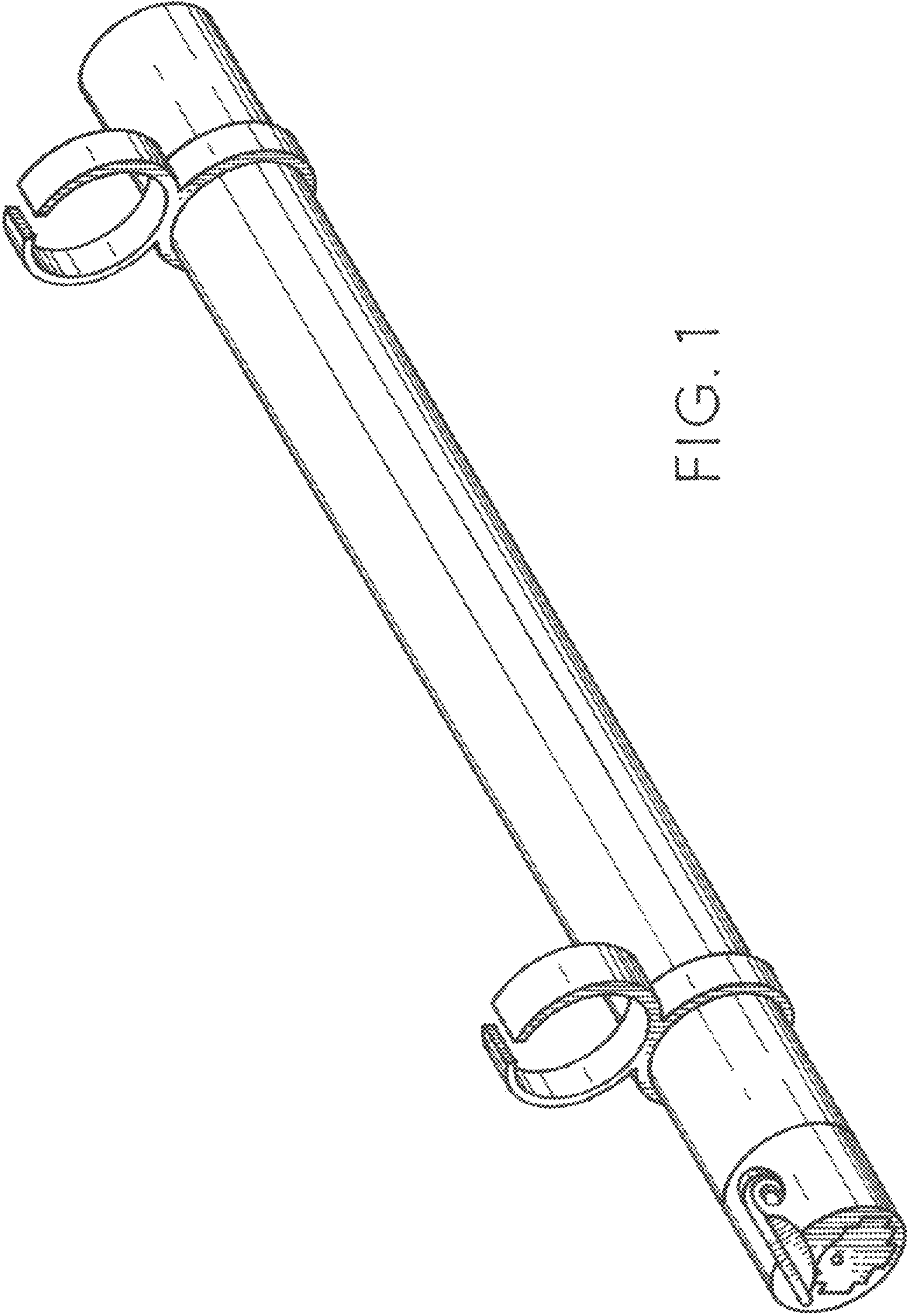


FIG. 1

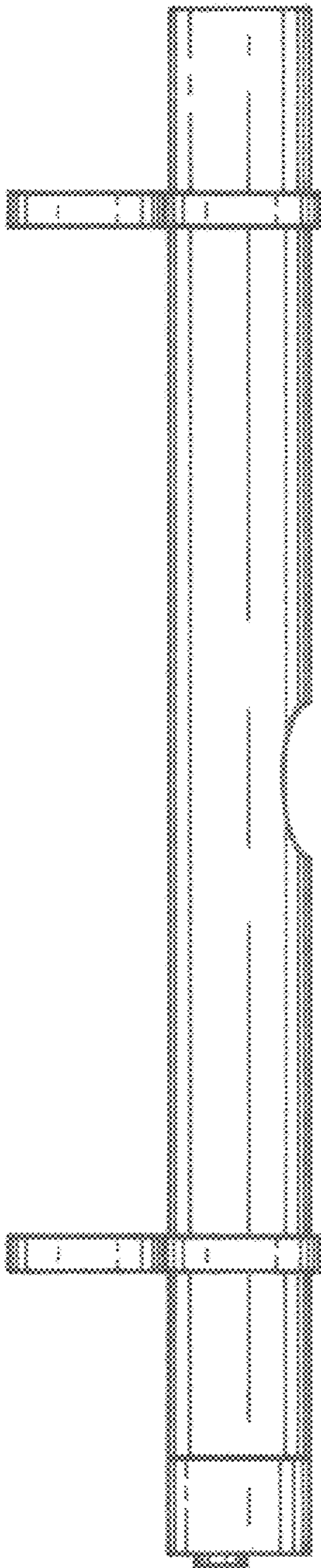


FIG. 2

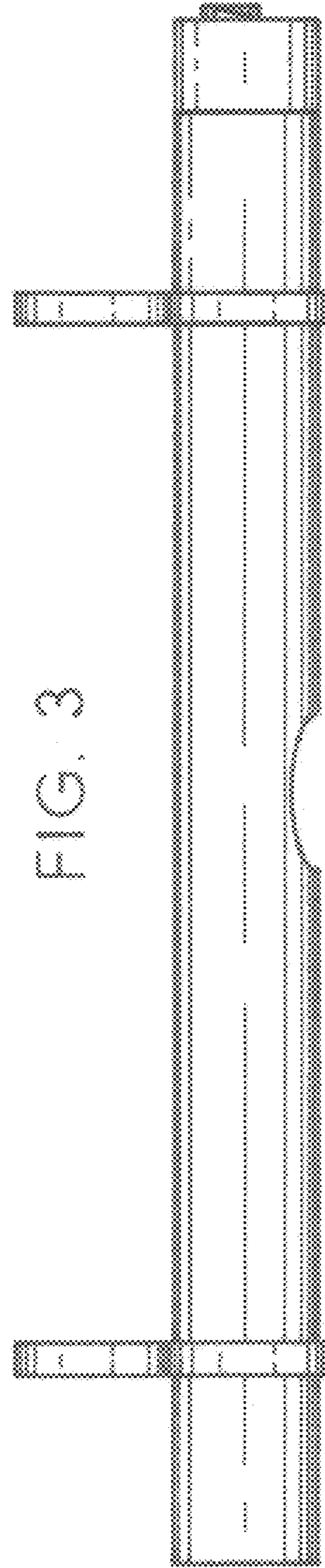


FIG. 3

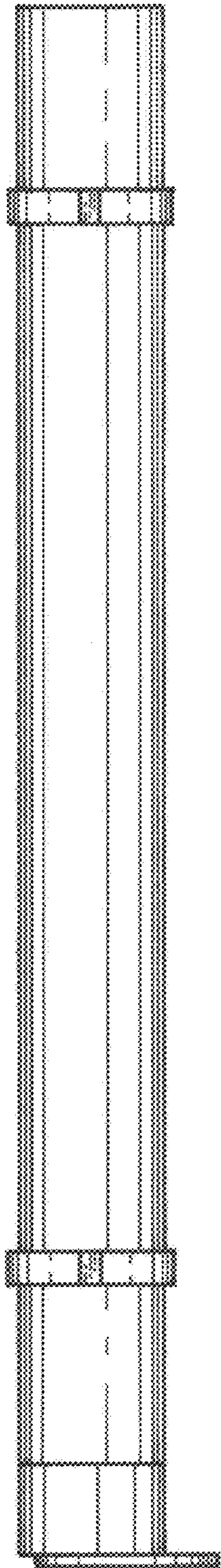


FIG. 4

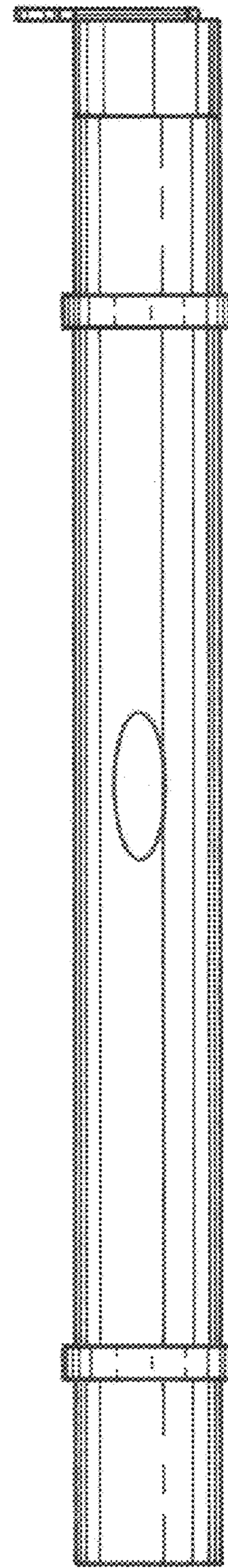


FIG. 5

FIG. 7

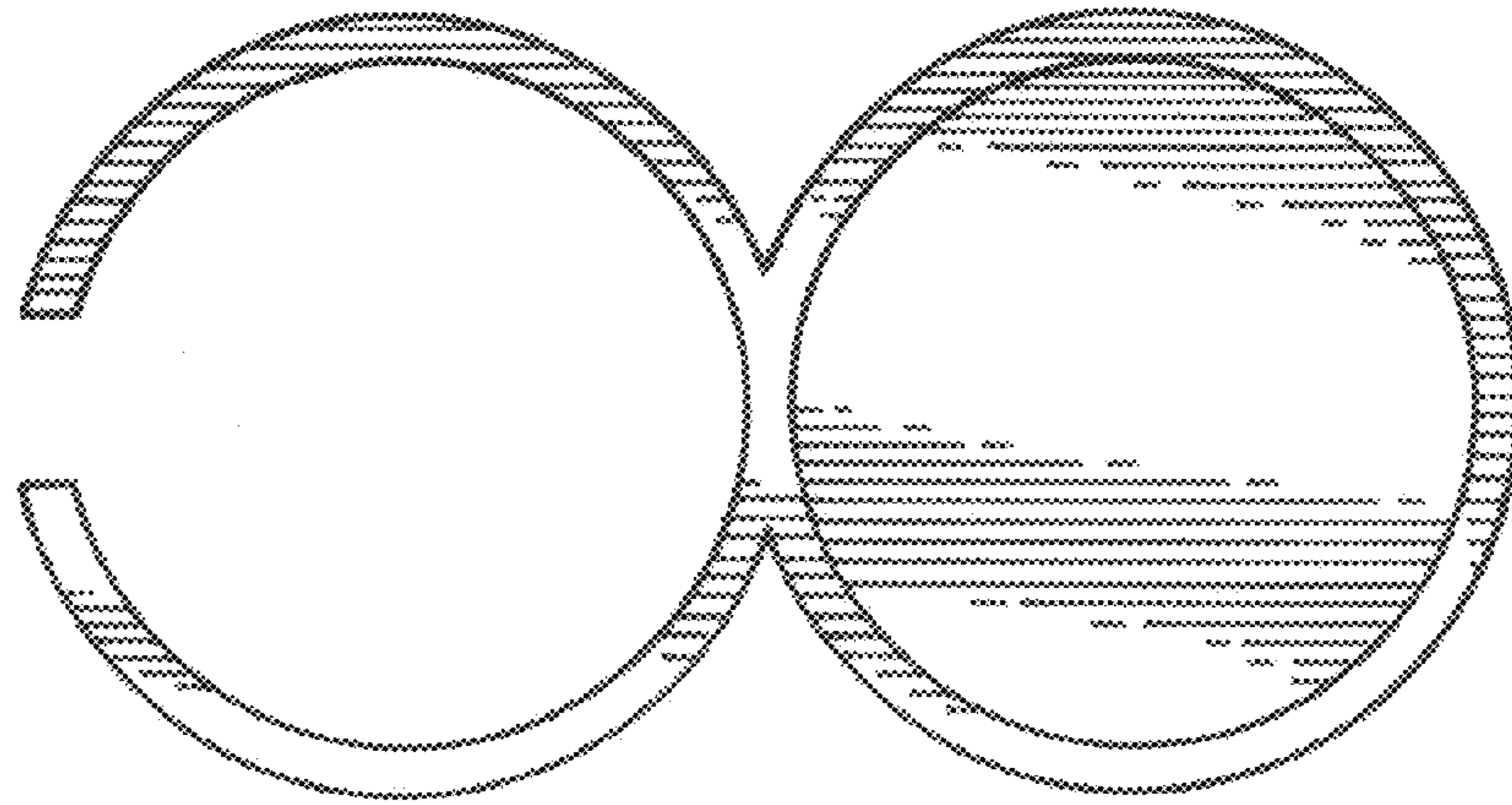


FIG. 6

