



US00D695522S

(12) **United States Design Patent**  
**McCallister**

(10) **Patent No.:** **US D695,522 S**

(45) **Date of Patent:** **\*\* Dec. 17, 2013**

(54) **ENCLOSURE FOR A TABLET COMPUTER**

(76) Inventor: **Martin McCallister**, Springville, UT  
(US)

(\*\*) Term: **14 Years**

(21) Appl. No.: **29/402,036**

(22) Filed: **Sep. 19, 2011**

(51) **LOC (9) Cl.** ..... **03-01**

(52) **U.S. Cl.**  
USPC ..... **D3/300**

(58) **Field of Classification Search**  
USPC ..... D3/300, 302, 282, 201, 203.2, 203.5,  
D3/206, 269, 273, 293, 905, 247-250, 261,  
D3/231, 327, 318, 214, 216, 304; D7/612;  
D9/418, 707, 709; 206/216, 223, 372,  
206/379, 549, 473, 39, 39.5, 776, 530-534,  
206/540; 190/108-111; D14/440, 356, 299,  
D14/432, 439

See application file for complete search history.

(56) **References Cited**

**U.S. PATENT DOCUMENTS**

D363,509	S	*	10/1995	Parekh et al.	.....	D19/75
5,740,938	A	*	4/1998	Hofmann et al.	.....	220/324
D475,371	S	*	6/2003	Bone et al.	.....	D14/301
D511,343	S	*	11/2005	Solomon et al.	.....	D14/356
D514,308	S	*	2/2006	Wahl et al.	.....	D3/203.2
D537,251	S	*	2/2007	Musgrove	.....	D3/307
D568,312	S	*	5/2008	Wang et al.	.....	D14/356
D602,019	S	*	10/2009	Wang et al.	.....	D14/356
D609,701	S	*	2/2010	Hou	.....	D14/240
D628,799	S	*	12/2010	Andre et al.	.....	D3/269
D642,579	S	*	8/2011	Deutsch et al.	.....	D14/440
D648,707	S	*	11/2011	Akana et al.	.....	D14/217
D654,263	S	*	2/2012	Mahmood et al.	.....	D3/201

D659,139	S	*	5/2012	Gengler	.....	D14/392
8,201,687	B2	*	6/2012	Zeliff et al.	.....	206/320
D663,111	S	*	7/2012	Paslowski	.....	D3/203.2
8,220,789	B2	*	7/2012	Pourounidis et al.	.....	269/289 R
D665,571	S	*	8/2012	Tello	.....	D3/203.2
D665,665	S	*	8/2012	Seneca et al.	.....	D9/433
D665,810	S	*	8/2012	Jones et al.	.....	D14/440
D667,220	S	*	9/2012	Fair	.....	D3/299

\* cited by examiner

*Primary Examiner* — Sheryl Lane

(74) *Attorney, Agent, or Firm* — Durham Jones & Pinegar  
Intellectual Property Law Group

(57) **CLAIM**

The ornamental design for an enclosure for a tablet computer,  
as shown and described.

**DESCRIPTION**

FIG. 1 is a frontal perspective view of an embodiment of a  
new design for an enclosure for a tablet computer;

FIG. 2 is a front view of the enclosure shown in FIG. 1;

FIG. 3 is a rear view of enclosure shown in FIGS. 1 and 2;

FIG. 4 is a top view of the enclosure shown in FIGS. 1-3;

FIG. 5 is a bottom view of the enclosure shown in FIGS. 1-4;

FIG. 6 is a first (left) side view of the enclosure shown in  
FIGS. 1-5;

FIG. 7 is a second (right) side view of the enclosure shown in  
FIGS. 1-6; and,

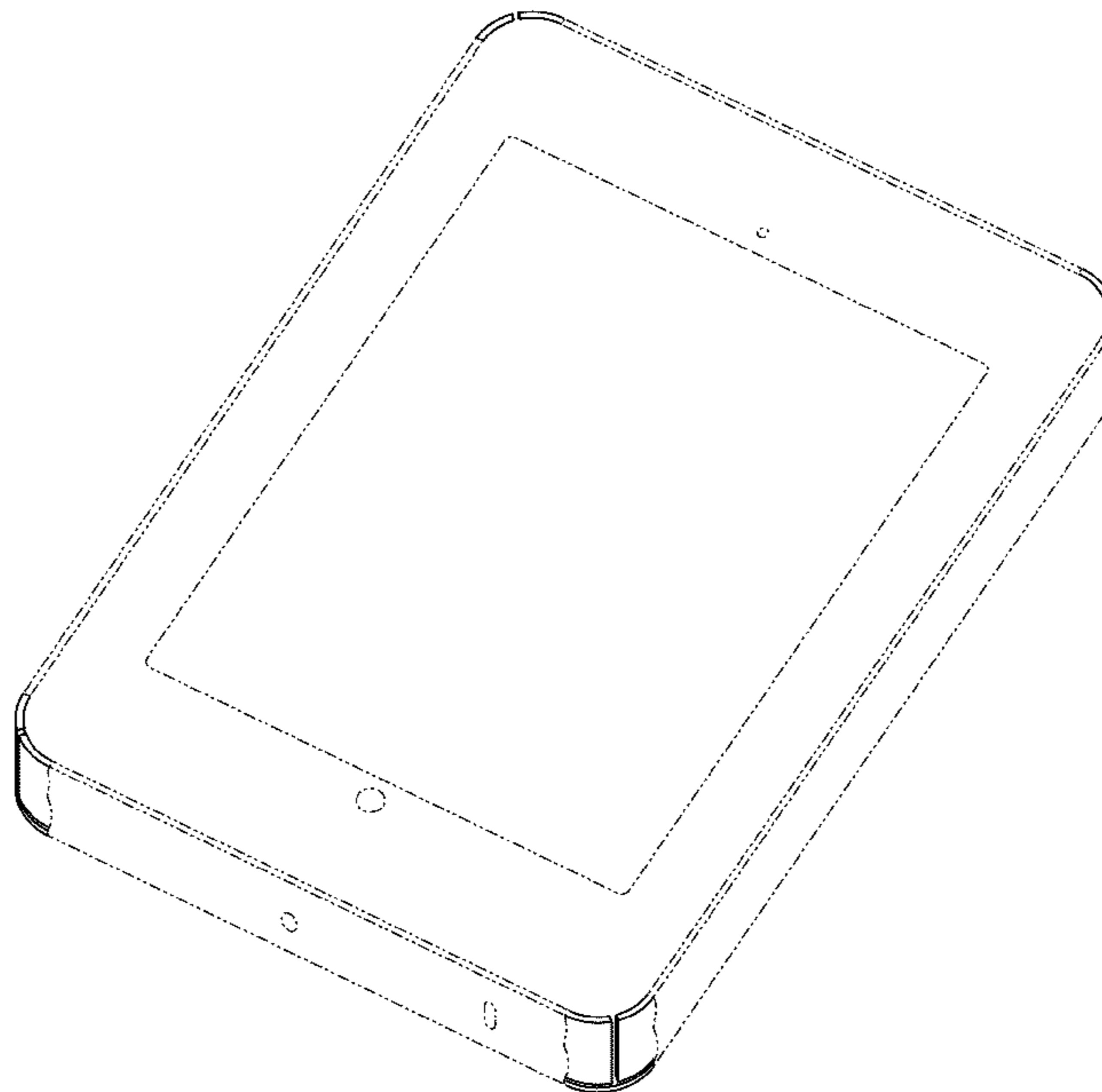
FIG. 8 is a frontal perspective view depicting the enclosure of  
FIGS. 1-7, including the a back side of the front cover shown  
in FIGS. 1 and 2 and various internal features.

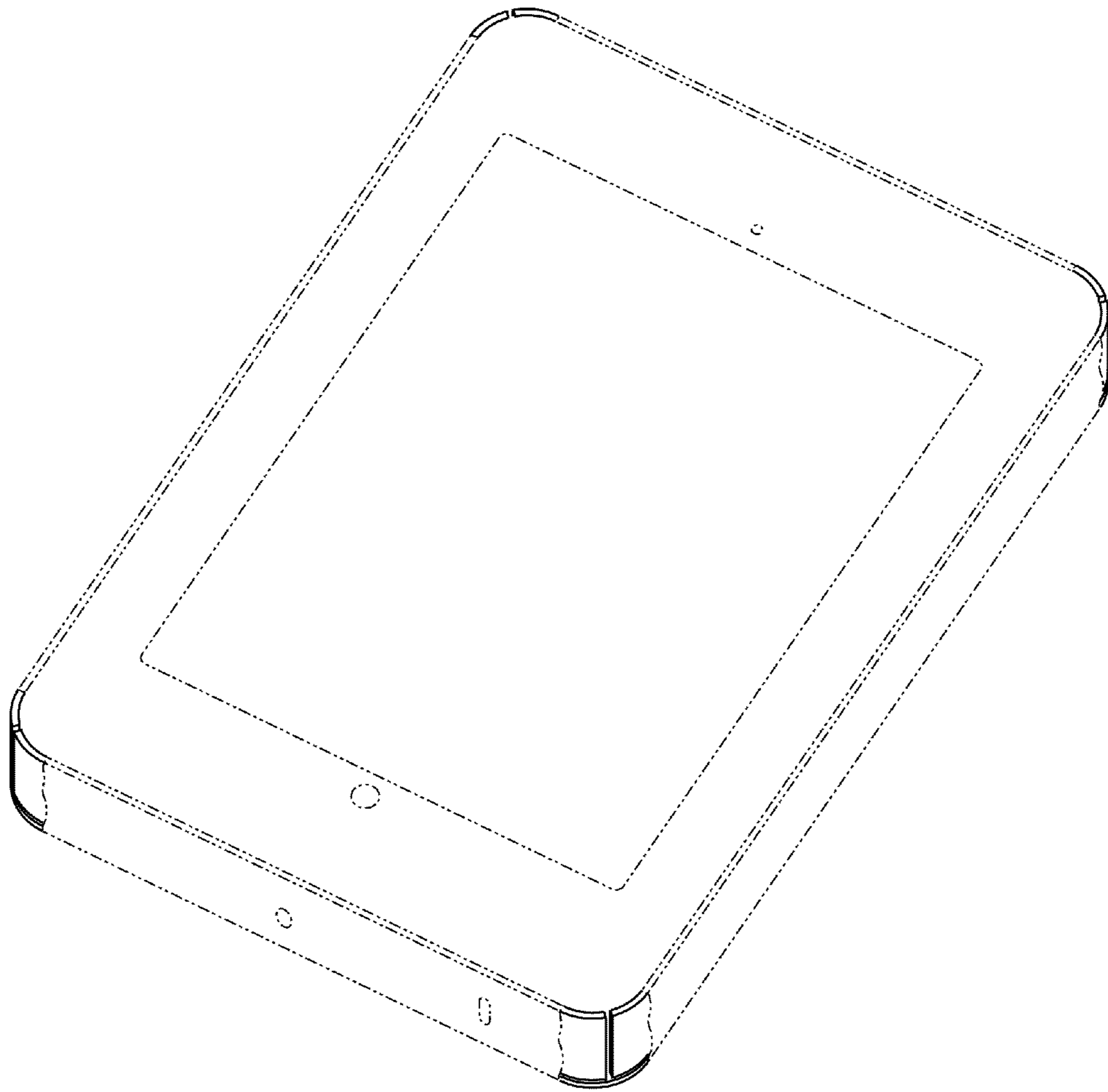
Broken lines have been included in the drawings to illustrate  
environment, non-limiting embodiments of respective  
dimensions, and embodiments of additional features that an  
enclosure for a tablet computer may include. The broken lines  
form no part of the claimed design.

FIG. 8 is a frontal perspective view depicting the enclosure of  
FIGS. 1-7, including the a back side of the front cover shown  
in FIGS. 1 and 2 and various internal features.

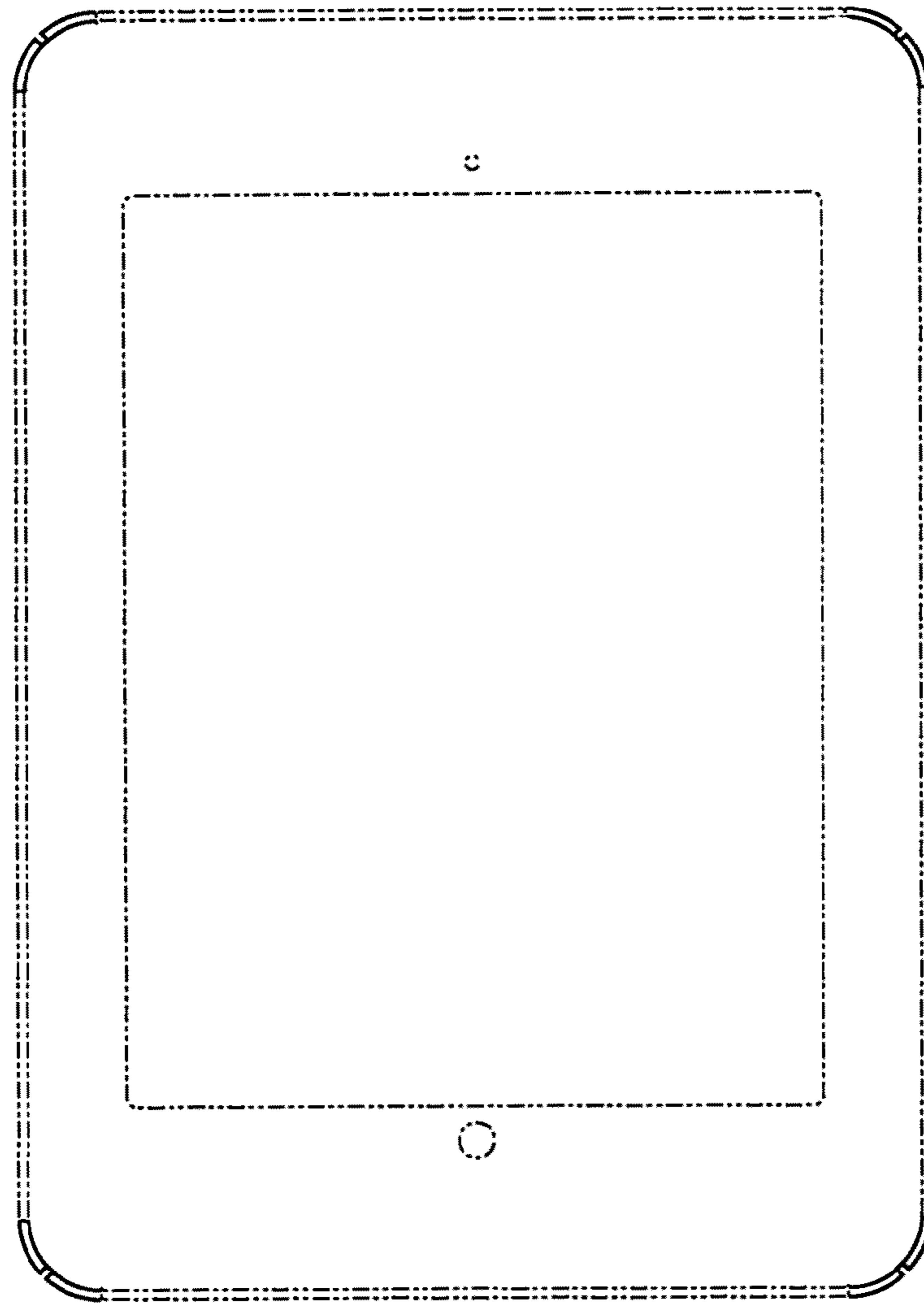
Broken lines have been included in the drawings to illustrate  
environment, non-limiting embodiments of respective  
dimensions, and embodiments of additional features that an  
enclosure for a tablet computer may include. The broken lines  
form no part of the claimed design.

**1 Claim, 5 Drawing Sheets**

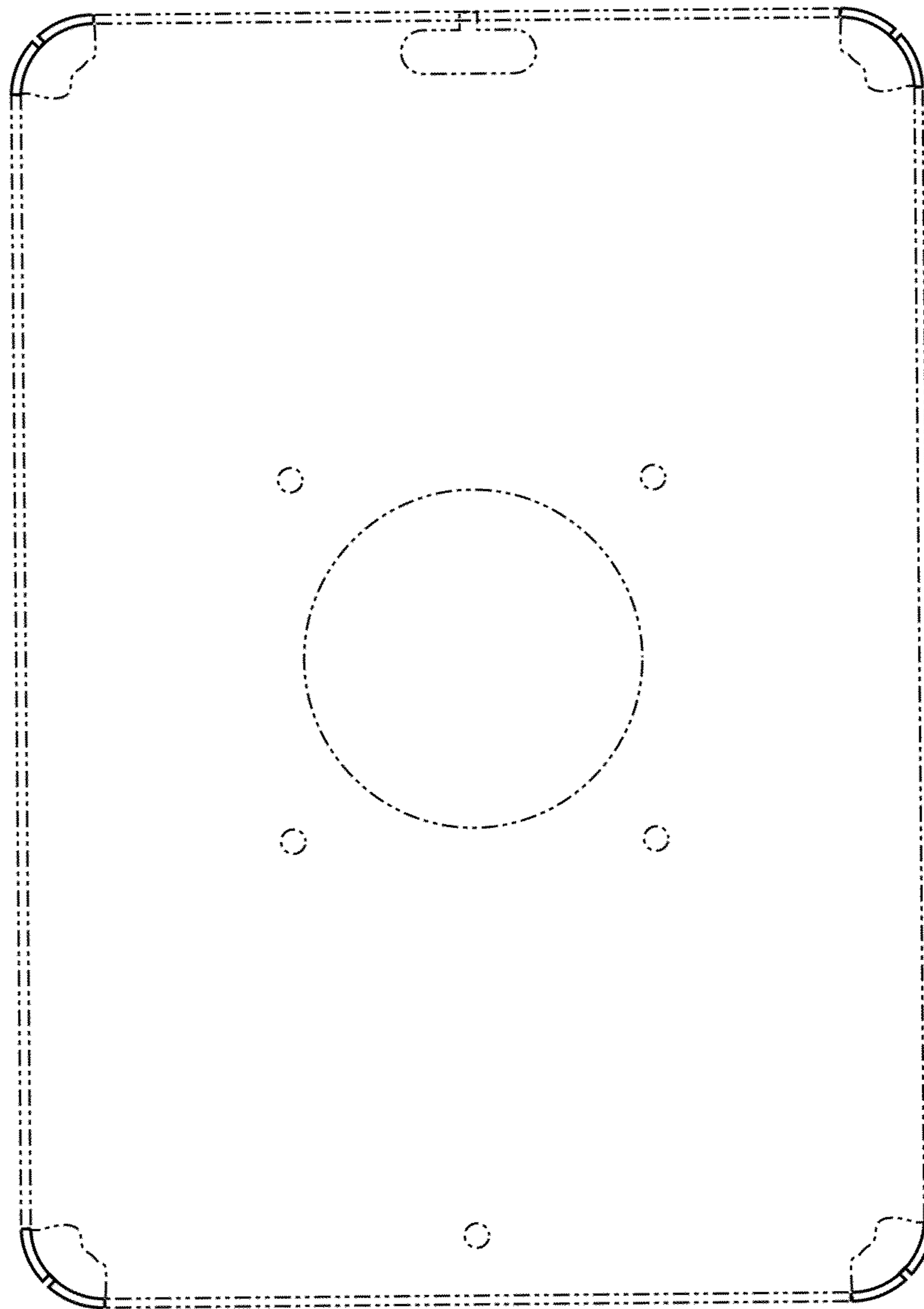




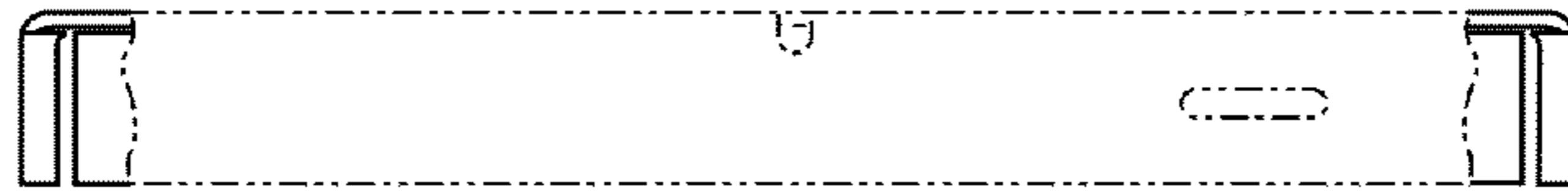
**FIG. 1**



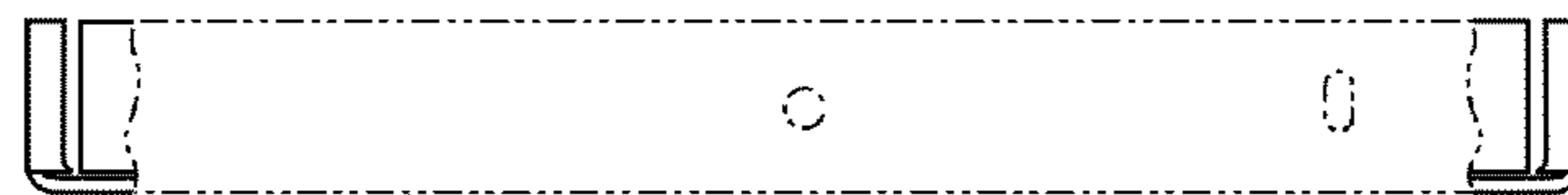
**FIG. 2**



**FIG. 3**



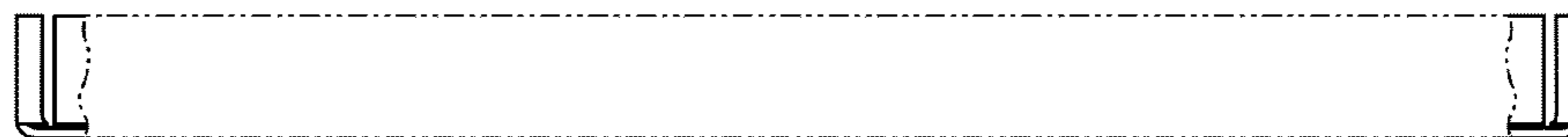
**FIG. 4**



**FIG. 5**



**FIG. 6**



**FIG. 7**

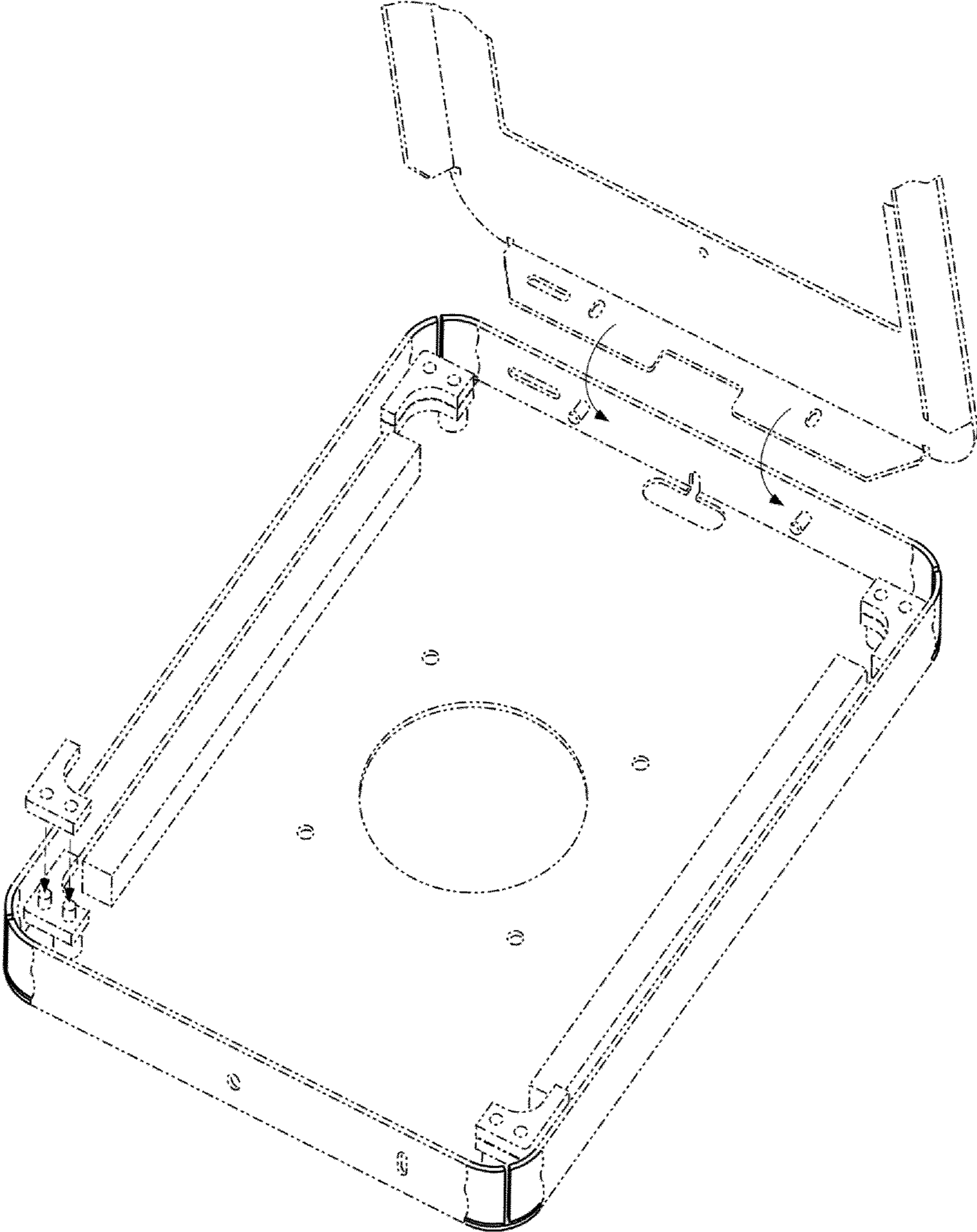


FIG. 8



UNITED STATES PATENT AND TRADEMARK OFFICE  
**CERTIFICATE OF CORRECTION**

PATENT NO. : D695,522 S  
APPLICATION NO. : 29/402036  
DATED : December 17, 2013  
INVENTOR(S) : McAllister

Page 1 of 1

It is certified that error appears in the above-identified patent and that said Letters Patent is hereby corrected as shown below:

On the Title page:

First Row, Item (12), delete the Inventor information and substitute the following:

--McAllister--

Column 1, Item (76), delete the Inventor information and substitute the following:

--Martin McAllister, Springville, UT (US)--

Signed and Sealed this  
Eighteenth Day of November, 2014



Michelle K. Lee  
*Deputy Director of the United States Patent and Trademark Office*