

US00D695520S

(12) **United States Design Patent**
Edwards et al.

(10) **Patent No.:** **US D695,520 S**

(45) **Date of Patent:** **** Dec. 17, 2013**

(54) **CASH DRAWER**

(56) **References Cited**

(75) Inventors: **Troy Edwards**, Los Gatos, CA (US);
Lukas Skoog, San Francisco, CA (US);
Amish Babu, Mountain View, CA (US);
Robert Brunner, San Francisco, CA
(US); **Howard Nuk**, San Francisco, CA
(US); **Timothy Leong Yew Tan**, San
Francisco, CA (US); **Jonas Lagerstedt**,
San Francisco, CA (US)

U.S. PATENT DOCUMENTS

2,517,175	A *	8/1950	Bremer	109/47
3,592,521	A *	7/1971	Cox	312/333
4,412,709	A *	11/1983	Ishii	312/291
D294,711	S *	3/1988	Williams	D18/12.1
4,786,785	A *	11/1988	Felt	235/7 R
D413,726	S *	9/1999	Krajnik	D3/254
6,152,366	A *	11/2000	Maddox et al.	235/381
D437,876	S *	2/2001	Davies	D18/4.1
6,929,178	B2 *	8/2005	Moriya et al.	235/381

(73) Assignee: **Square, Inc.**, San Francisco, CA (US)

* cited by examiner

(**) Term: **14 Years**

Primary Examiner — Sandra Snapp

(74) *Attorney, Agent, or Firm* — Fish & Richardson P.C.

(21) Appl. No.: **29/418,632**

(57) **CLAIM**

The ornamental design for a cash drawer, substantially as shown and described.

(22) Filed: **Apr. 18, 2012**

DESCRIPTION

(51) **LOC (9) Cl.** **03-01**

FIG. 1 is a front perspective view of a closed configuration.
FIG. 2 is a front perspective view of an open configuration with flippers down.

(52) **U.S. Cl.**
USPC **D3/294**

FIG. 3 is a front perspective view of an open configuration with a flipper up.

(58) **Field of Classification Search**
USPC D3/234, 255, 271.9, 320, 256, 262, 279,
D3/299, 301, 303, 318, 319, 273, 289, 292,
D3/294–296, 232, 244; D9/424, 420;
D27/189; 206/349; 220/833; 312/902;
190/100; D14/4.1

FIG. 4 is a front view.

FIG. 5 is a back view.

FIG. 6 is a right side view of a closed configuration.

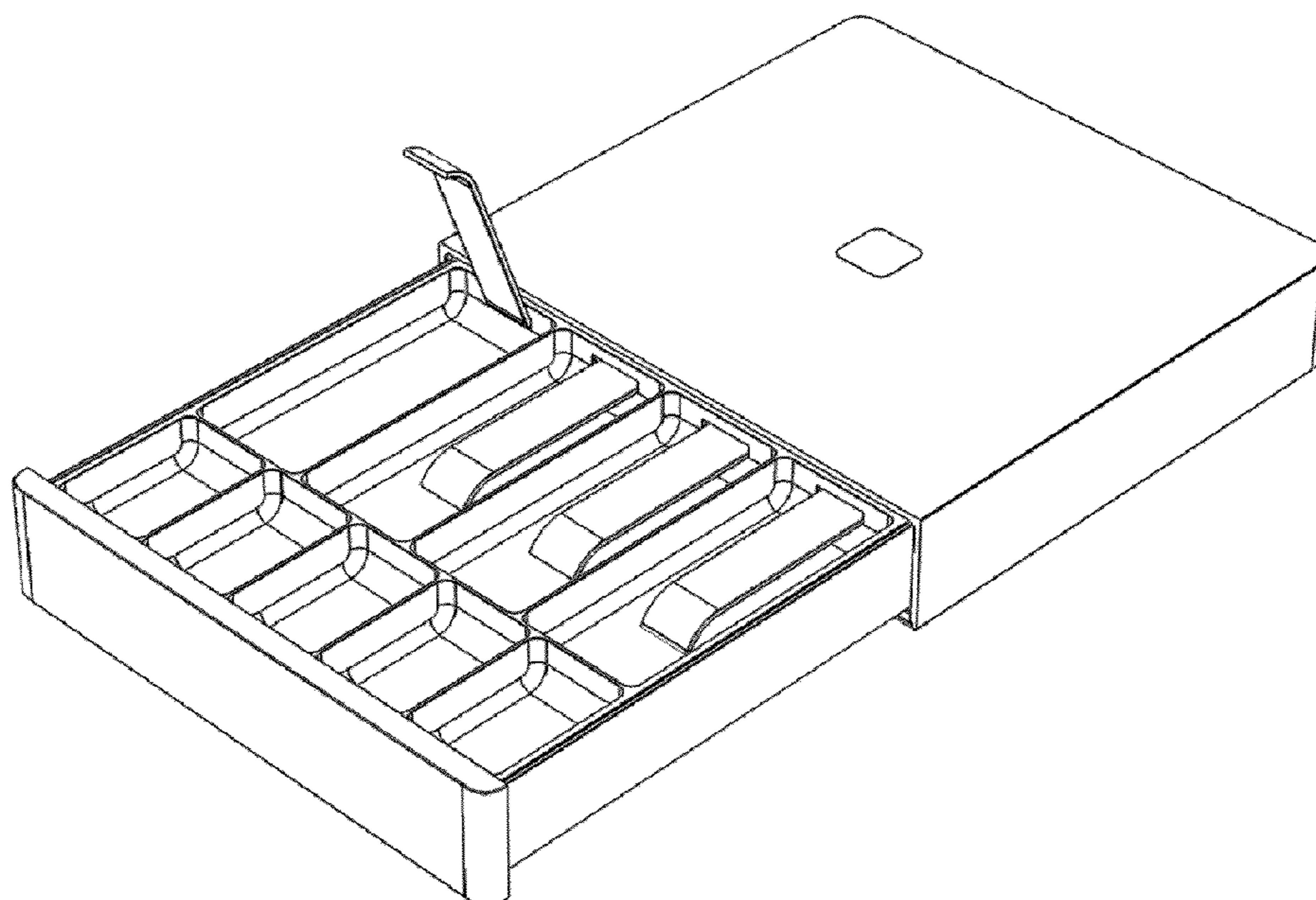
FIG. 7 is a left side view of a closed configuration.

FIG. 8 is a top view of a closed configuration; and,

FIG. 9 is a bottom view of a closed configuration.

See application file for complete search history.

1 Claim, 5 Drawing Sheets



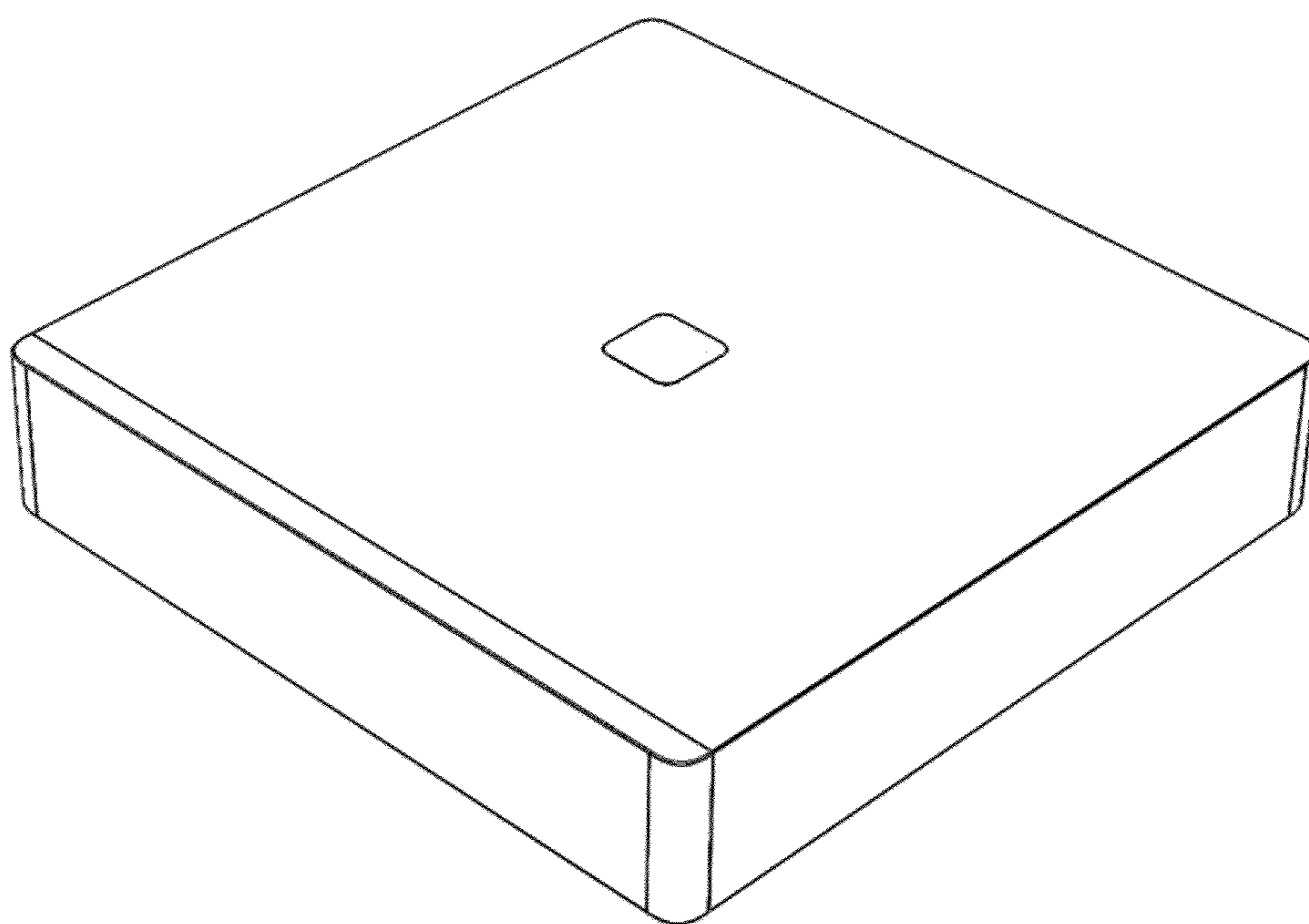


FIG. 1

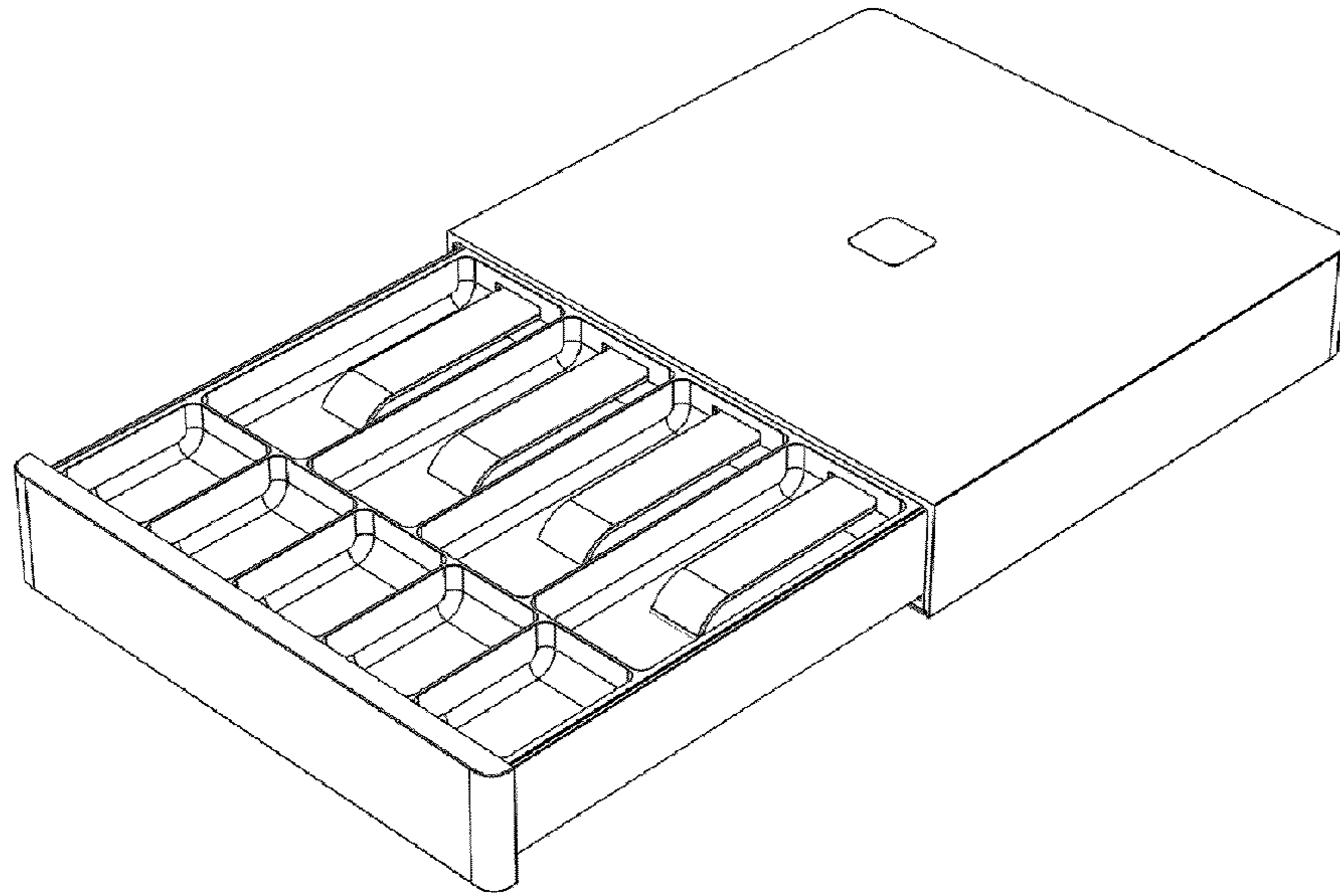


FIG. 2

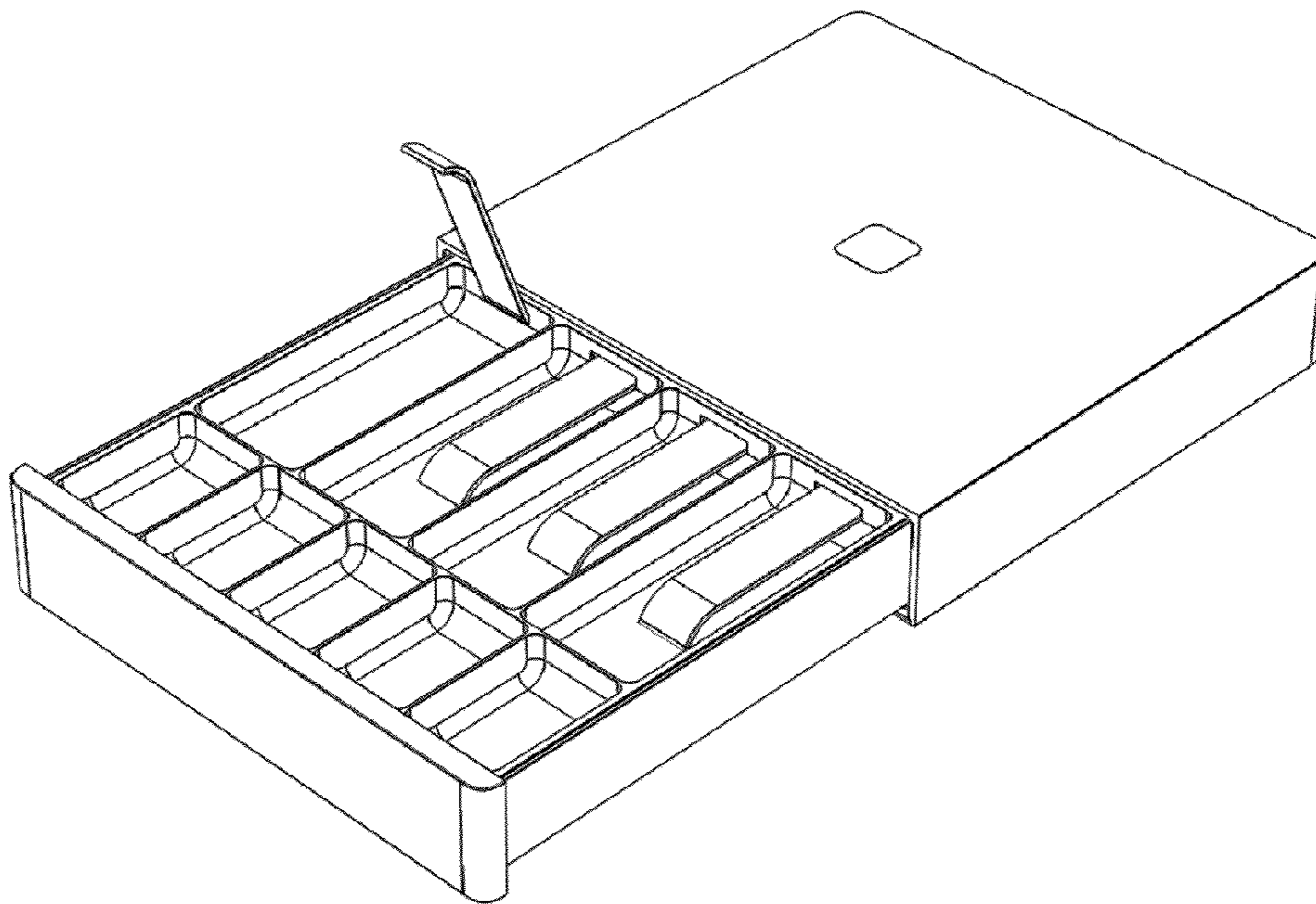


FIG. 3

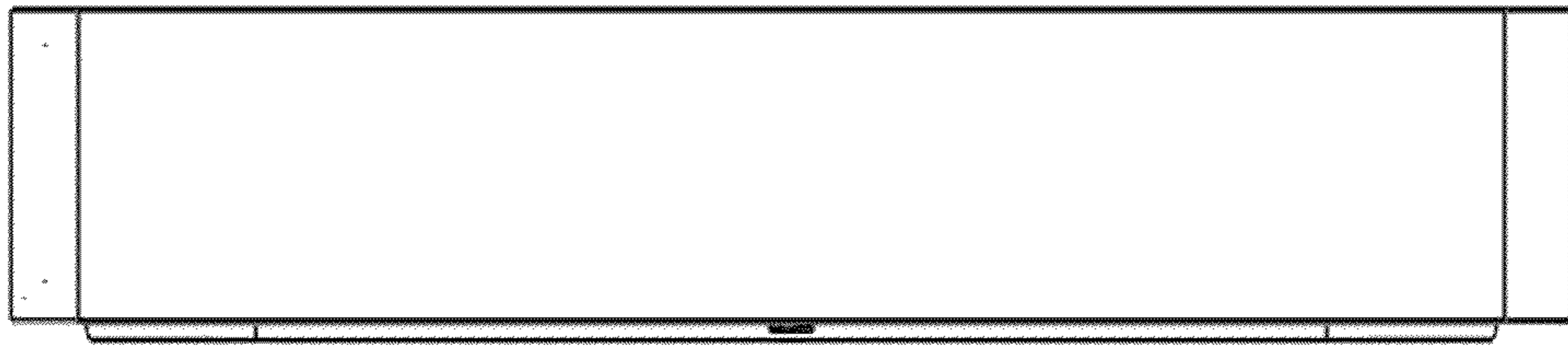


FIG. 4

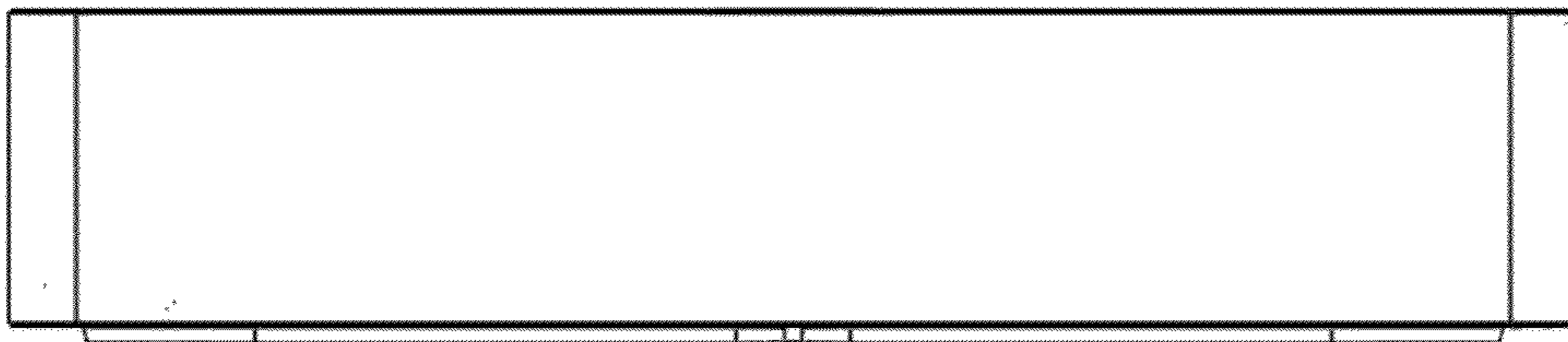


FIG. 5

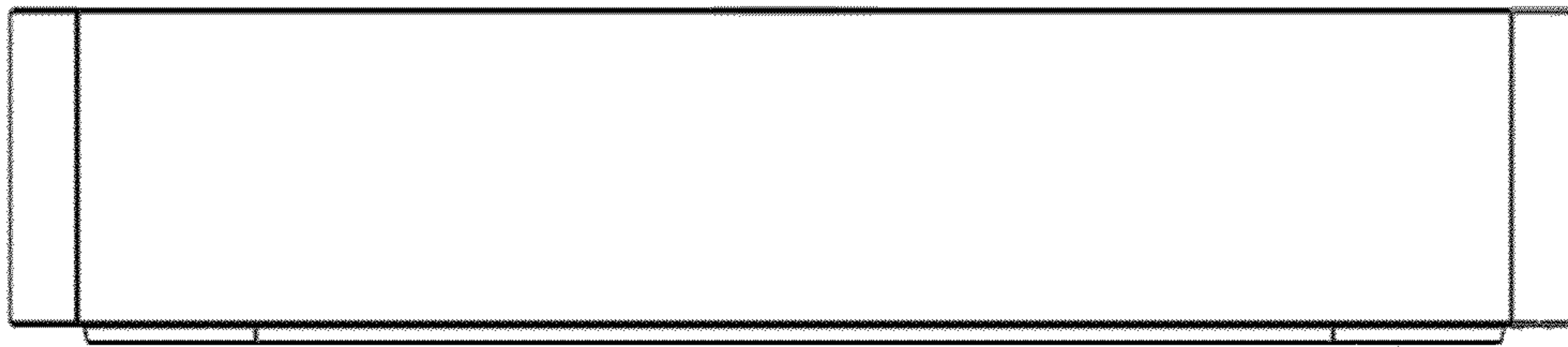


FIG. 6



FIG. 7

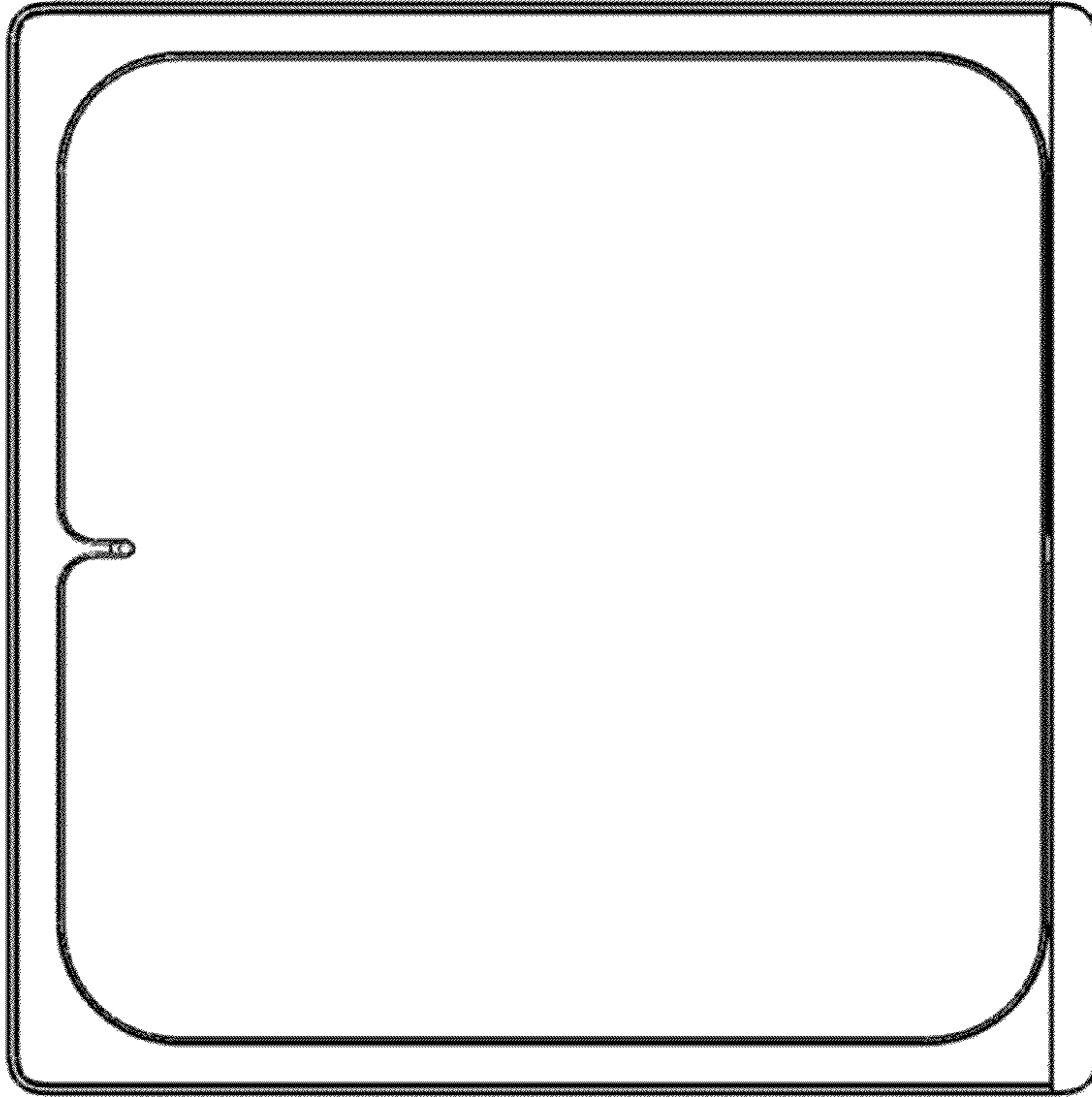


FIG. 9

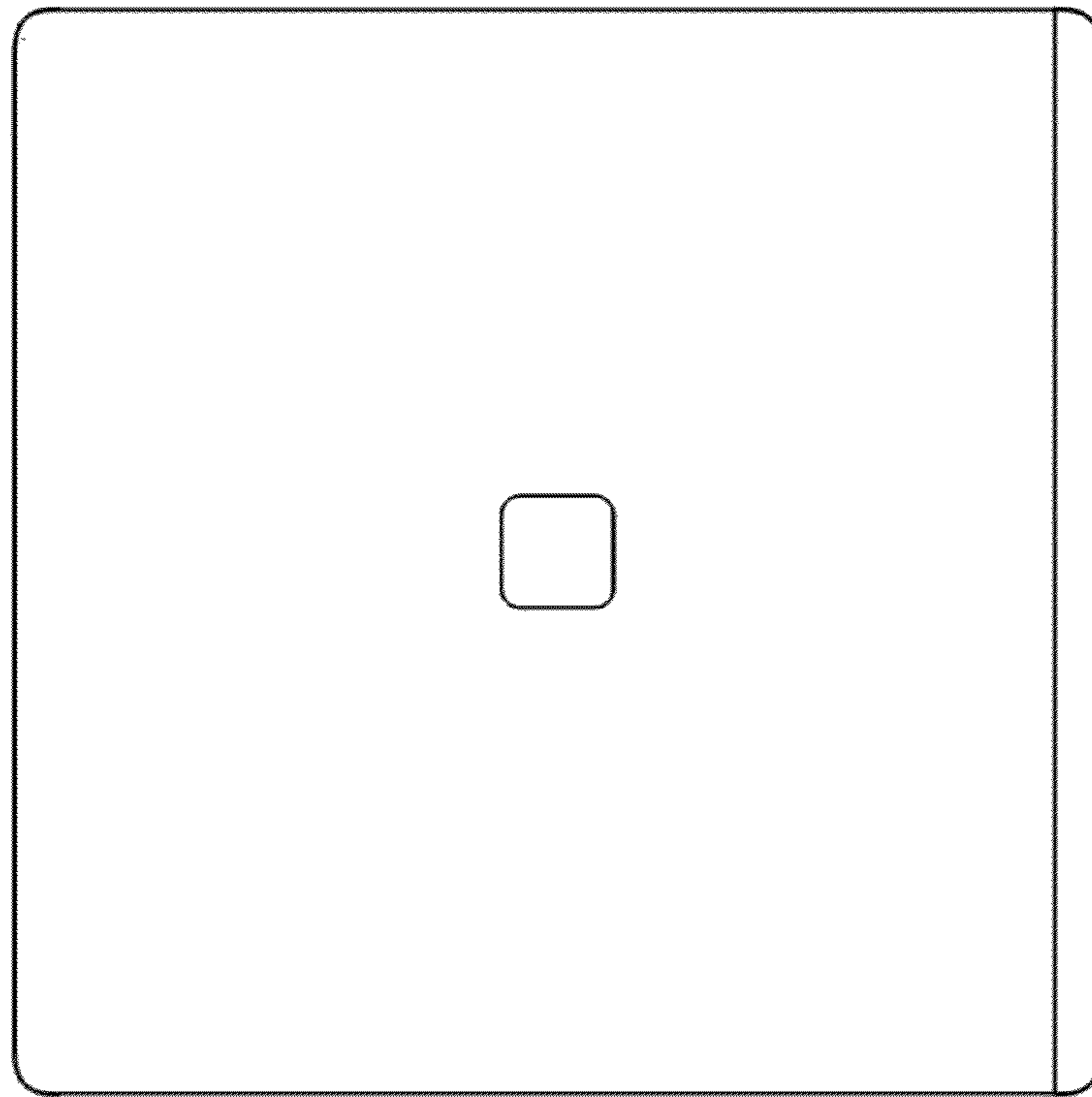


FIG. 8