

US00D695514S

(12) **United States Design Patent**  
**Young**

(10) **Patent No.:** **US D695,514 S**

(45) **Date of Patent:** **\*\* Dec. 17, 2013**

(54) **RETRACTABLE BADGE HOLDER**  
(71) Applicant: **Amber L. Young**, San Angelo, TX (US)  
(72) Inventor: **Amber L. Young**, San Angelo, TX (US)  
(\*\*) Term: **14 Years**

D514,311 S \* 2/2006 Cetera ..... D3/215  
D539,528 S \* 4/2007 Hastings ..... D3/215  
D555,447 S \* 11/2007 Bhavnani ..... D8/34  
7,380,357 B2 \* 6/2008 Jones et al. .... 40/1.5  
D619,499 S \* 7/2010 Weyer et al. .... D11/221  
D623,848 S \* 9/2010 Hirvimaki ..... D3/207  
D642,376 S \* 8/2011 Pennington ..... D3/215  
D685,986 S \* 7/2013 Lazott et al. .... D3/215

\* cited by examiner

(21) Appl. No.: **29/447,191**

(22) Filed: **Mar. 1, 2013**

*Primary Examiner* — Catheri Oliver-Garcia

(74) *Attorney, Agent, or Firm* — Wayne J. Colton, Inc.

(51) **LOC (9) Cl.** ..... **03-01**

(52) **U.S. Cl.**  
USPC ..... **D3/215**

(57) **CLAIM**

The ornamental design for a retractable badge holder, as shown and described.

(58) **Field of Classification Search**  
USPC ..... D3/215, 207-212, 228; 40/1.5, 1.6,  
40/586, 661.04, 661.05; 24/3.1, 3.6, 3.11,  
24/3.12, 3.13; 431/253; 242/385.4, 404.1,  
242/404.3; 70/456 R; D8/34  
See application file for complete search history.

**DESCRIPTION**

FIG. 1 is a front view of a retractable badge holder, showing my new design;  
FIG. 2 is a left side view thereof;  
FIG. 3 is a right side view thereof;  
FIG. 4 is a top plan view thereof;  
FIG. 5 is a bottom plan view thereof; and,  
FIG. 6 is a rear view thereof.  
The broken line showing in FIG. 1 is for illustrative purposes only and forms no part of the claimed design.

(56) **References Cited**

**U.S. PATENT DOCUMENTS**

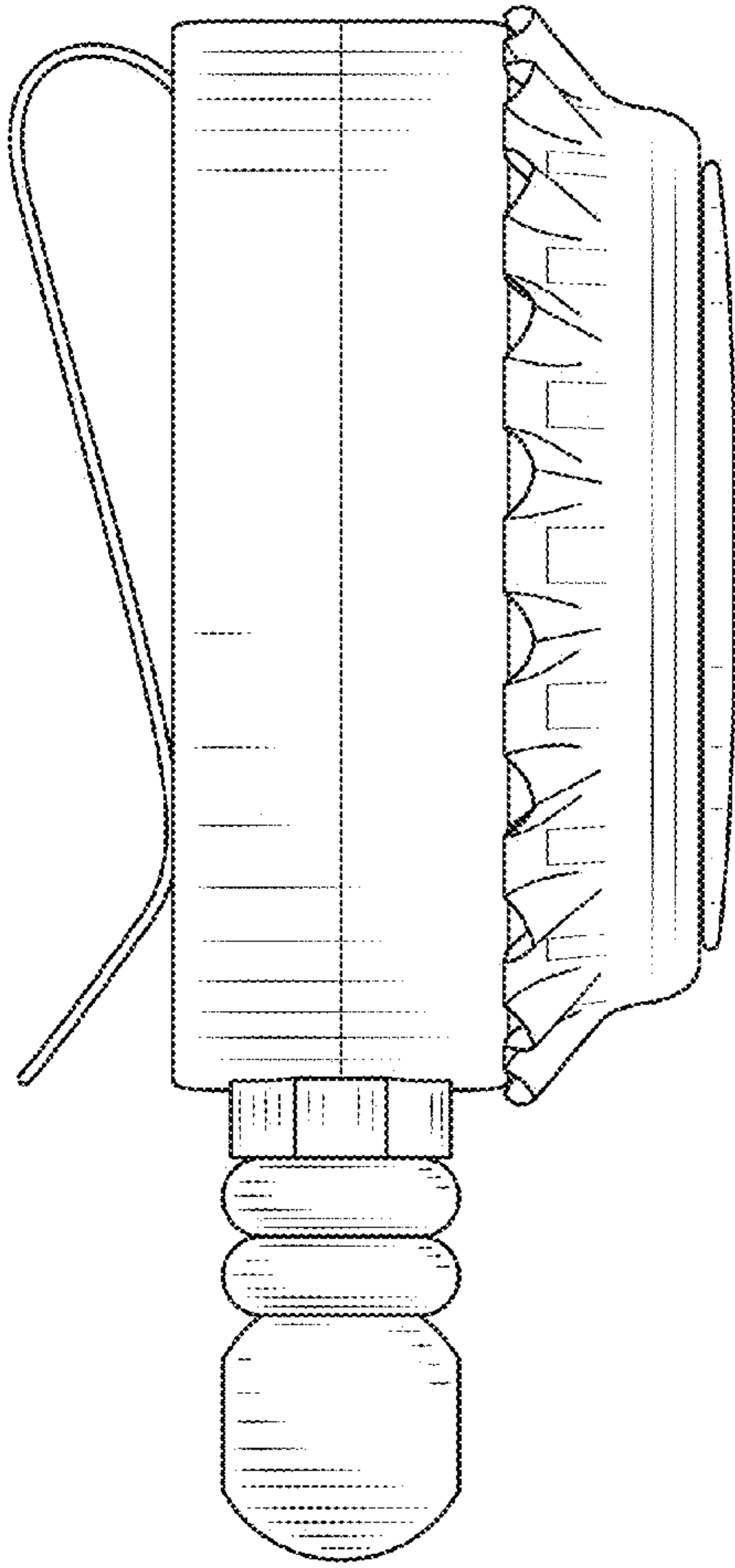
5,938,137 A \* 8/1999 Poulson ..... 242/379.2  
D478,722 S \* 8/2003 Parker ..... D3/215  
6,641,390 B2 \* 11/2003 Genuise ..... 431/253  
D498,358 S \* 11/2004 Wolff ..... D3/215

**1 Claim, 4 Drawing Sheets**

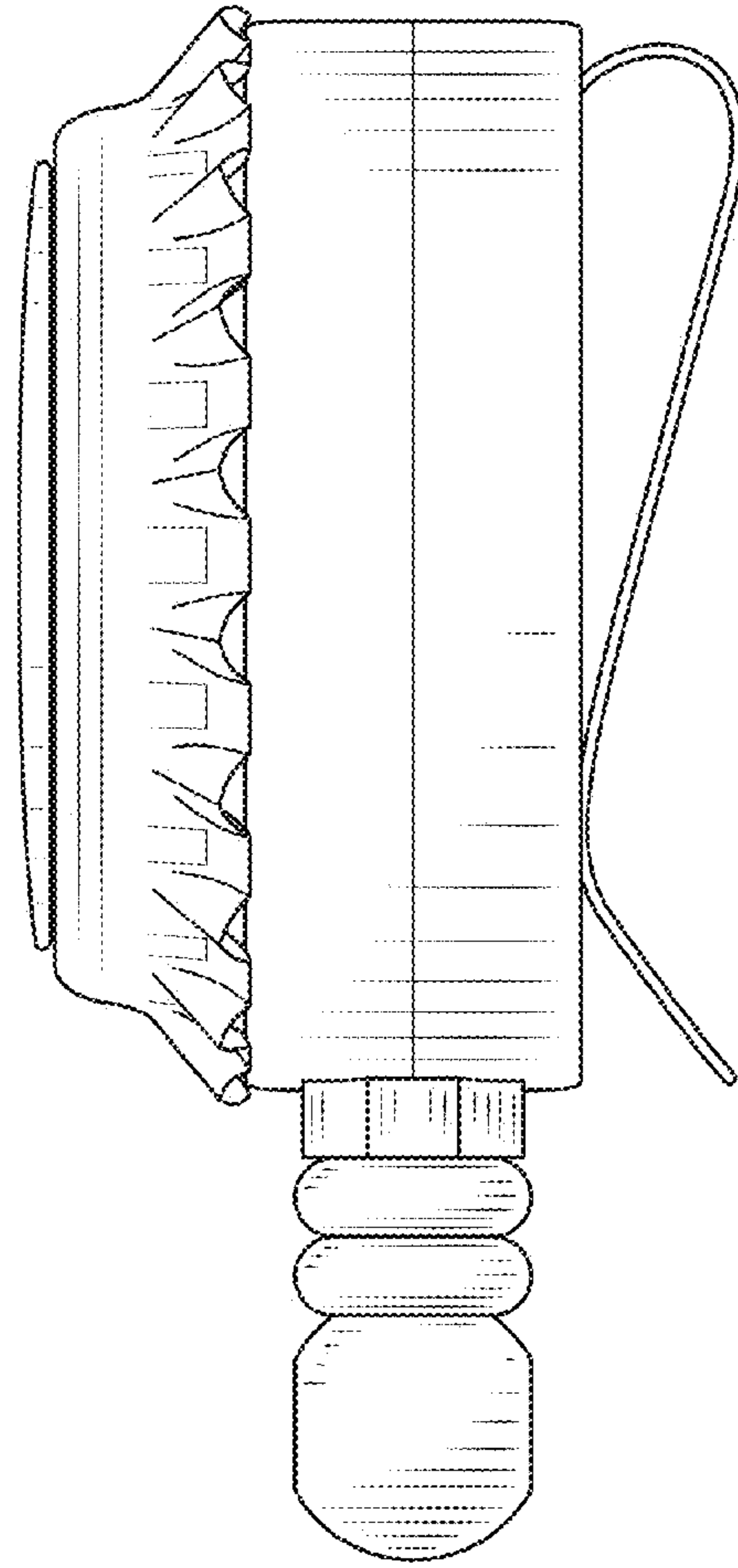




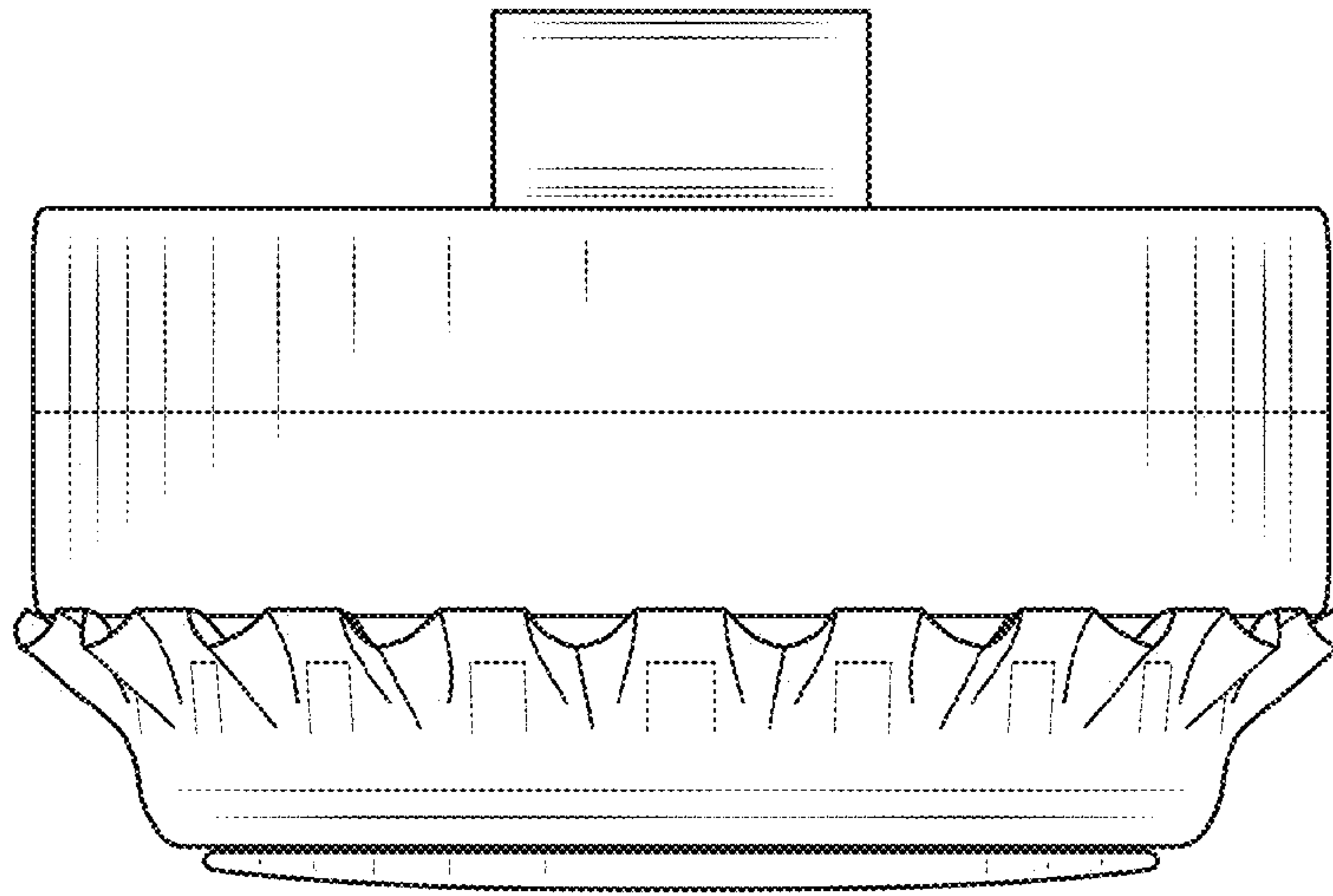
*Figure 1*



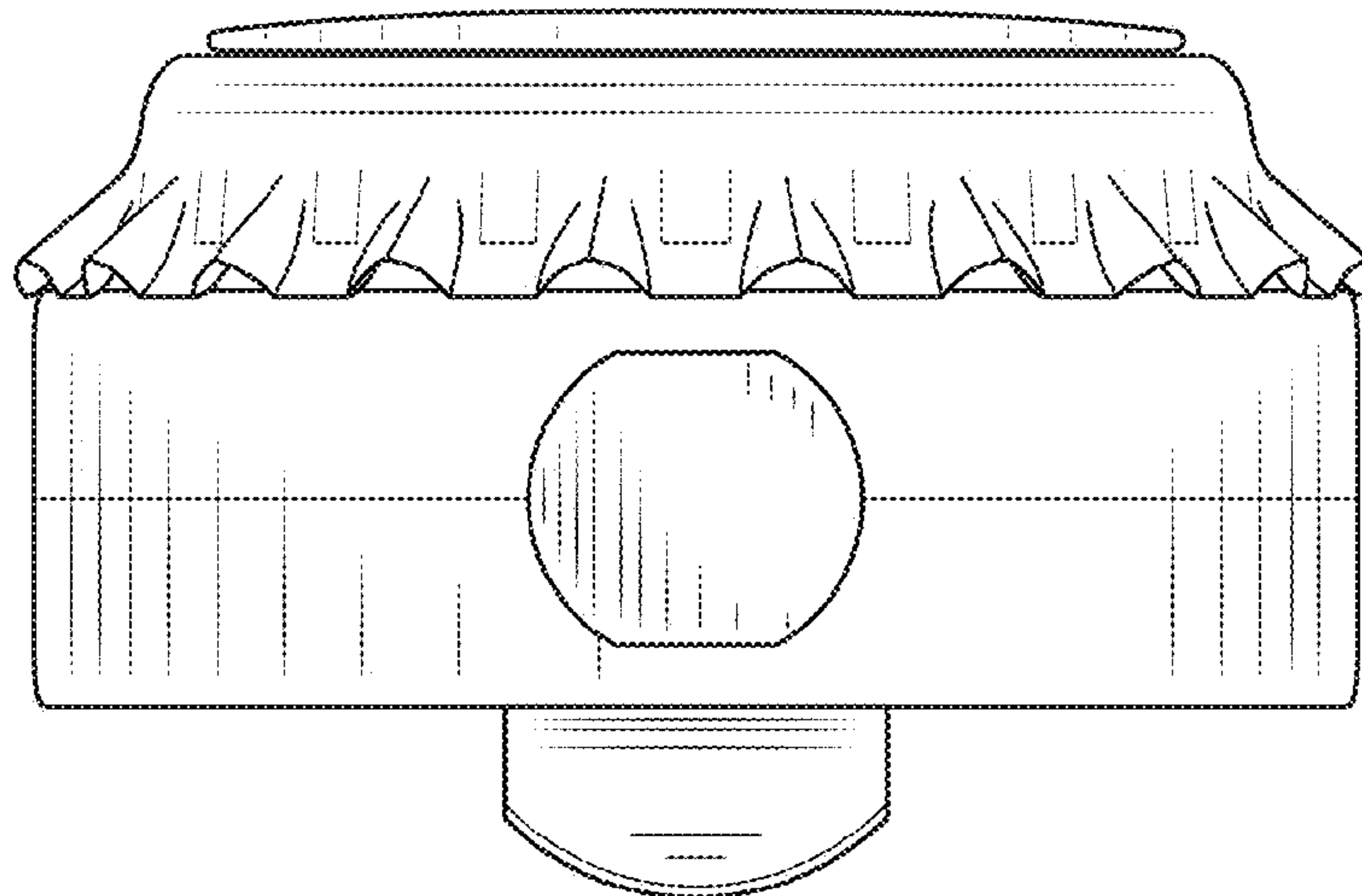
*Figure 2*



*Figure 3*

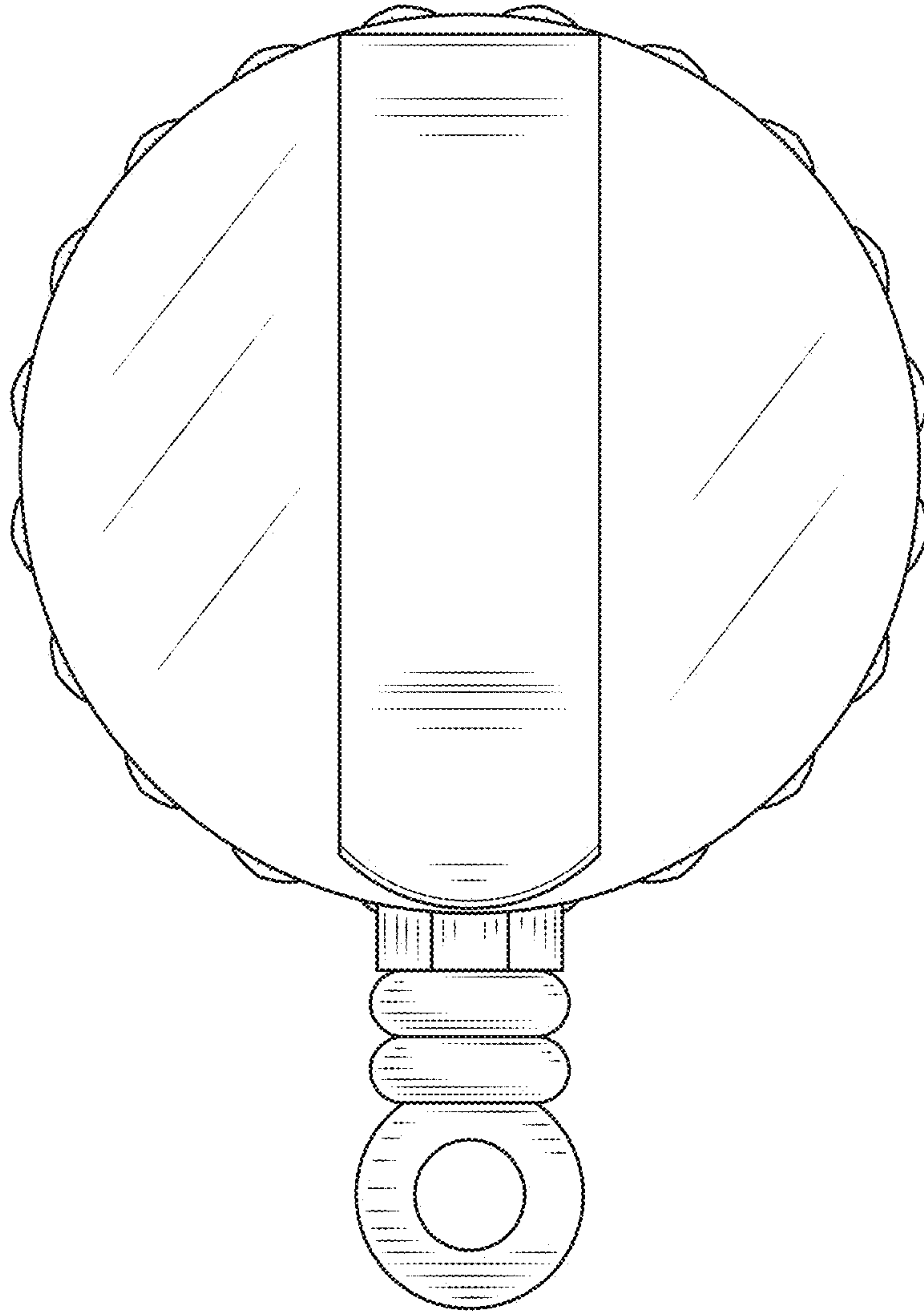


*Figure 4*



*Figure 5*





*Figure 6*