

US00D695513S

(12) **United States Design Patent**
Jackson

(10) **Patent No.:** **US D695,513 S**

(45) **Date of Patent:** **** Dec. 17, 2013**

(54) **INFANT BATHING HARNESS**

(71) Applicant: **Anca C. Jackson**, Prunedale, CA (US)

(72) Inventor: **Anca C. Jackson**, Prunedale, CA (US)

(**) Term: **14 Years**

(21) Appl. No.: **29/451,526**

(22) Filed: **Apr. 3, 2013**

(51) **LOC (9) Cl.** **03-99**

(52) **U.S. Cl.**

USPC **D3/213**; D3/214

(58) **Field of Classification Search**

USPC D3/213, 214, 215, 216; D29/100,
D29/101.1, 101.2, 101.3, 101.4, 101.5;
D21/803; 224/158, 159, 160, 161, 264,
224/270, 907; 441/106, 108, 110, 88;
119/770; 446/28

See application file for complete search history.

(56) **References Cited**

U.S. PATENT DOCUMENTS

3,229,873	A *	1/1966	Hershman	224/160
4,903,873	A *	2/1990	Poole et al.	224/160
D315,981	S *	4/1991	Onuwaje	D3/214
D491,694	S *	6/2004	Fleer	D29/100
6,763,983	B2	7/2004	Norman		
6,988,644	B1 *	1/2006	Asherbranner	224/160
7,037,155	B2 *	5/2006	Freeman et al.	441/106
7,255,620	B1 *	8/2007	Shepherd et al.	441/88
7,540,035	B1	6/2009	Bloom		
D651,273	S *	12/2011	Graham	D21/803
2004/0112302	A1	6/2004	Gynn		

2005/0076856	A1 *	4/2005	Bruck et al.	119/770
2005/0279785	A1 *	12/2005	Liistro et al.	224/160
2010/0200626	A1	8/2010	Moftakhar		
2011/0163136	A1	7/2011	Billingham		

OTHER PUBLICATIONS

Infant Carry Harness Case Pack 24. <http://www.pricefalls.com/products/Infant-Carry-Harness-Case-Pack-24/id/29487001> Accessed Jan. 31, 2012.

* cited by examiner

Primary Examiner — Caron D Veynar

Assistant Examiner — Martie K Holtje

(74) *Attorney, Agent, or Firm* — Montgomery Patent & Design; Robert C. Montgomery

(57) **CLAIM**

The ornamental design for an infant bathing harness, as shown and described.

DESCRIPTION

FIG. 1 is a front perspective view of an infant bathing harness, showing my new design;

FIG. 2 is a rear perspective view thereof;

FIG. 3 is a front view thereof;

FIG. 4 is a rear view thereof;

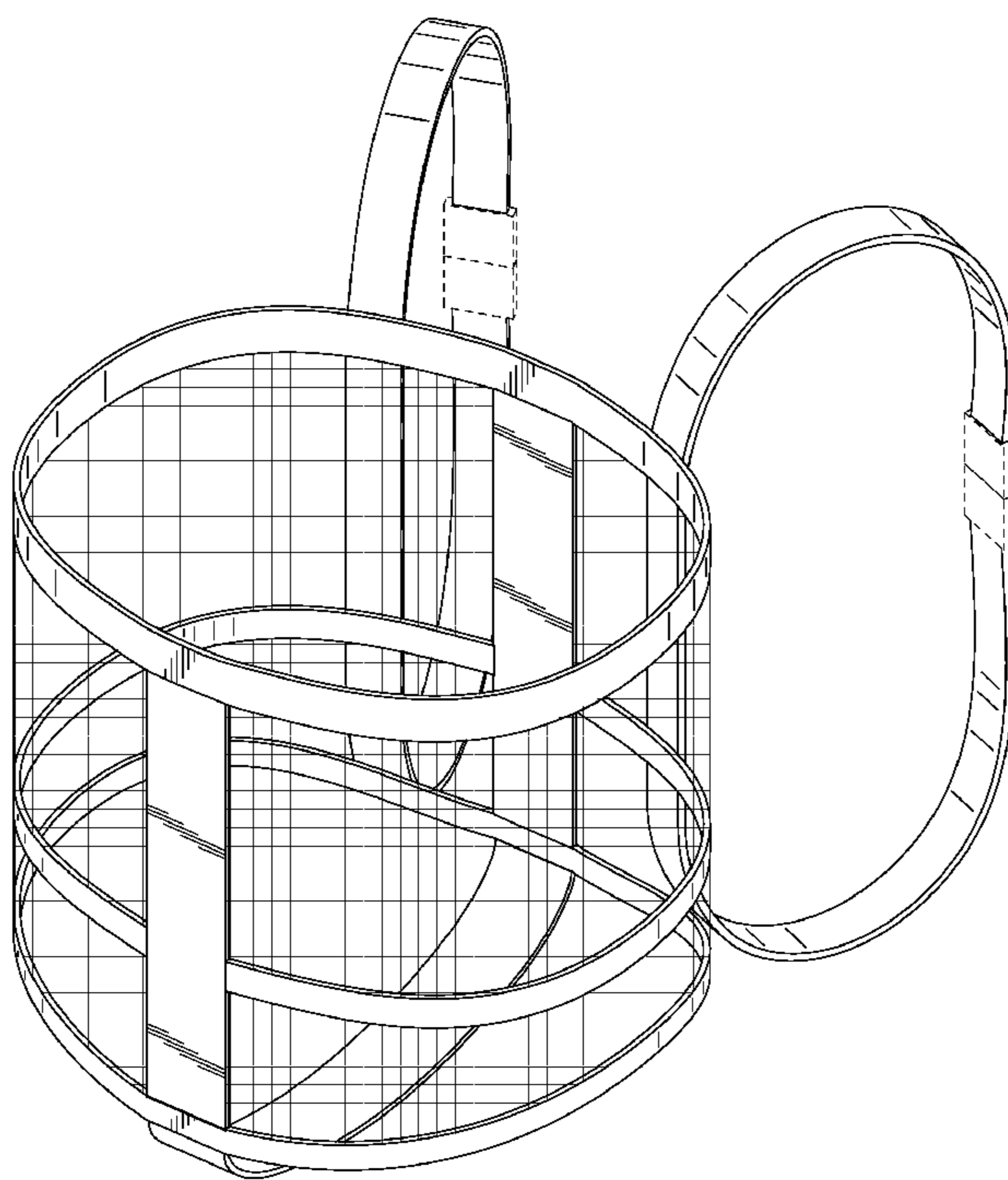
FIG. 5 is a left side view thereof with a right side view being a mirror image;

FIG. 6 is a top view thereof; and,

FIG. 7 is a bottom view thereof.

The broken line showing of buckles in the Figures is for the purpose of illustrating environmental structure and forms no part of the claimed design.

1 Claim, 7 Drawing Sheets



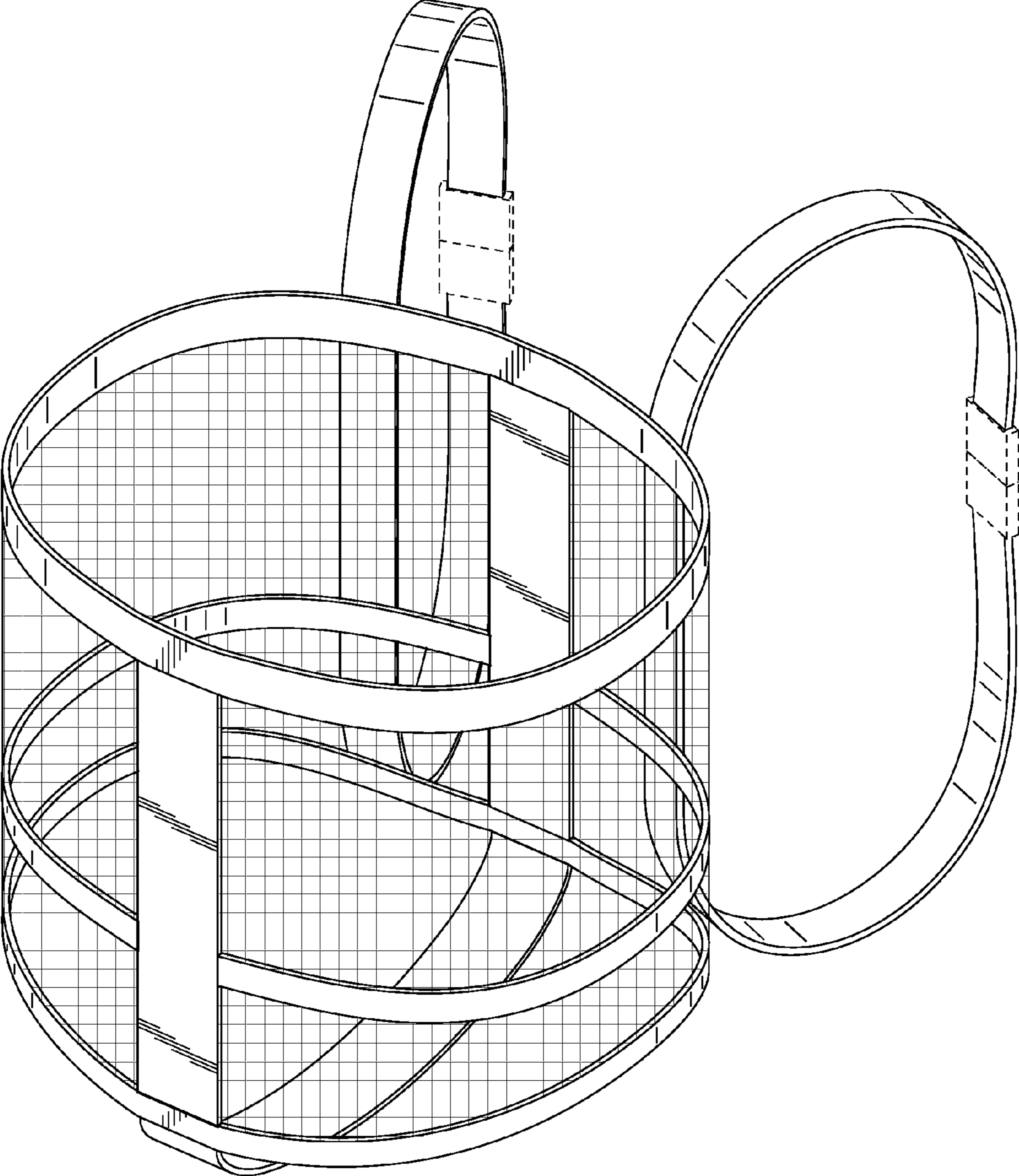


Fig. 1

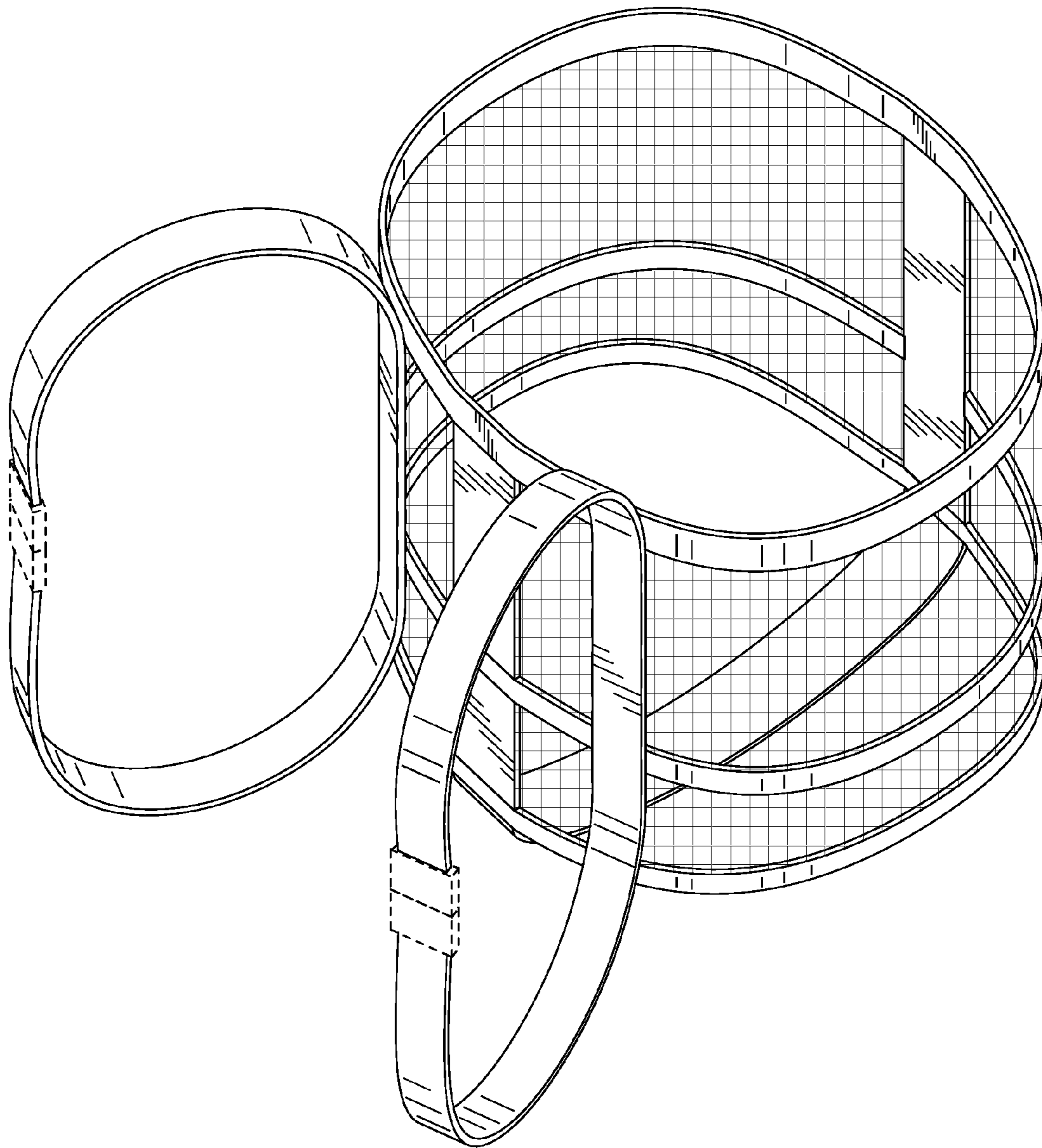


Fig. 2

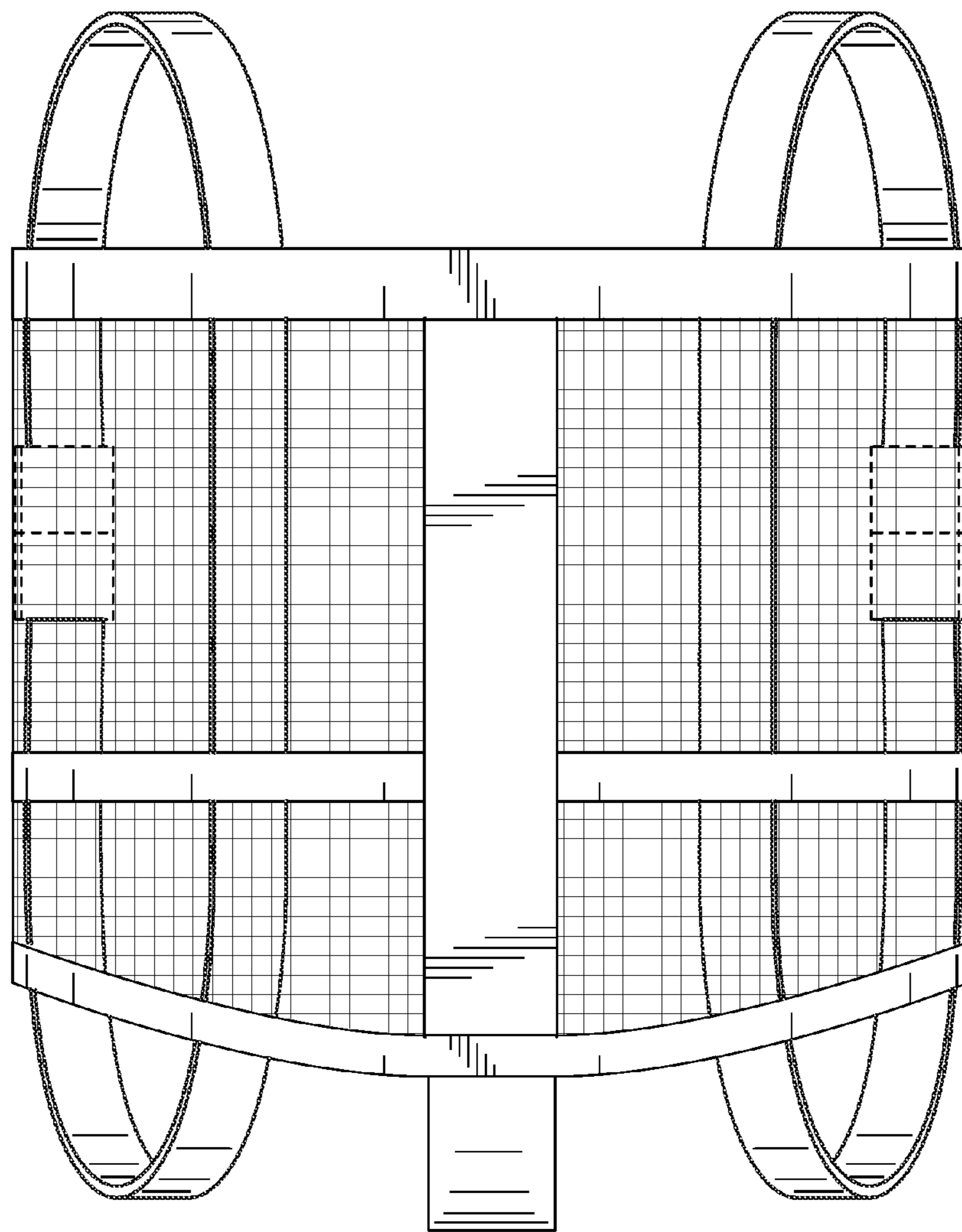


Fig. 3

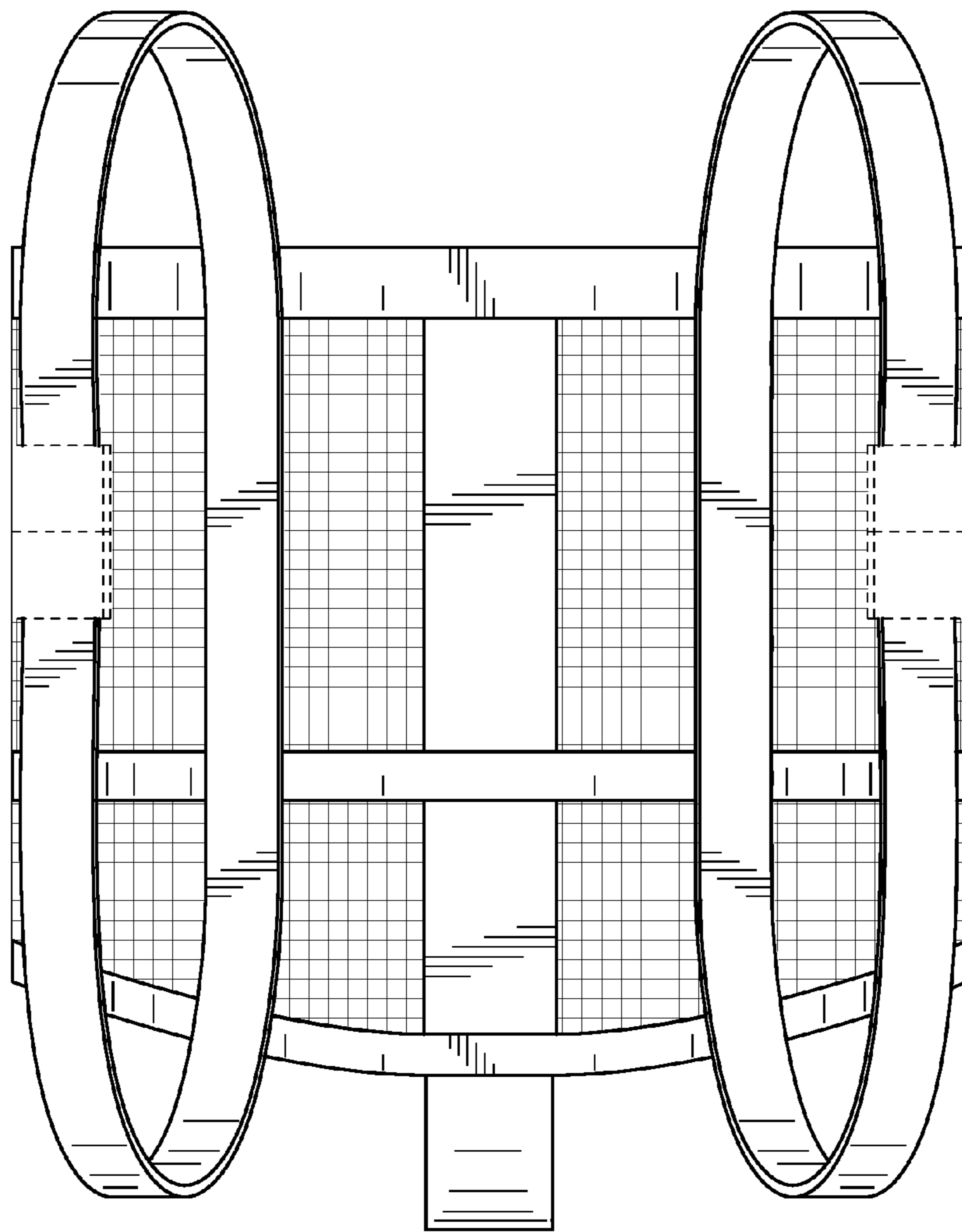


Fig. 4

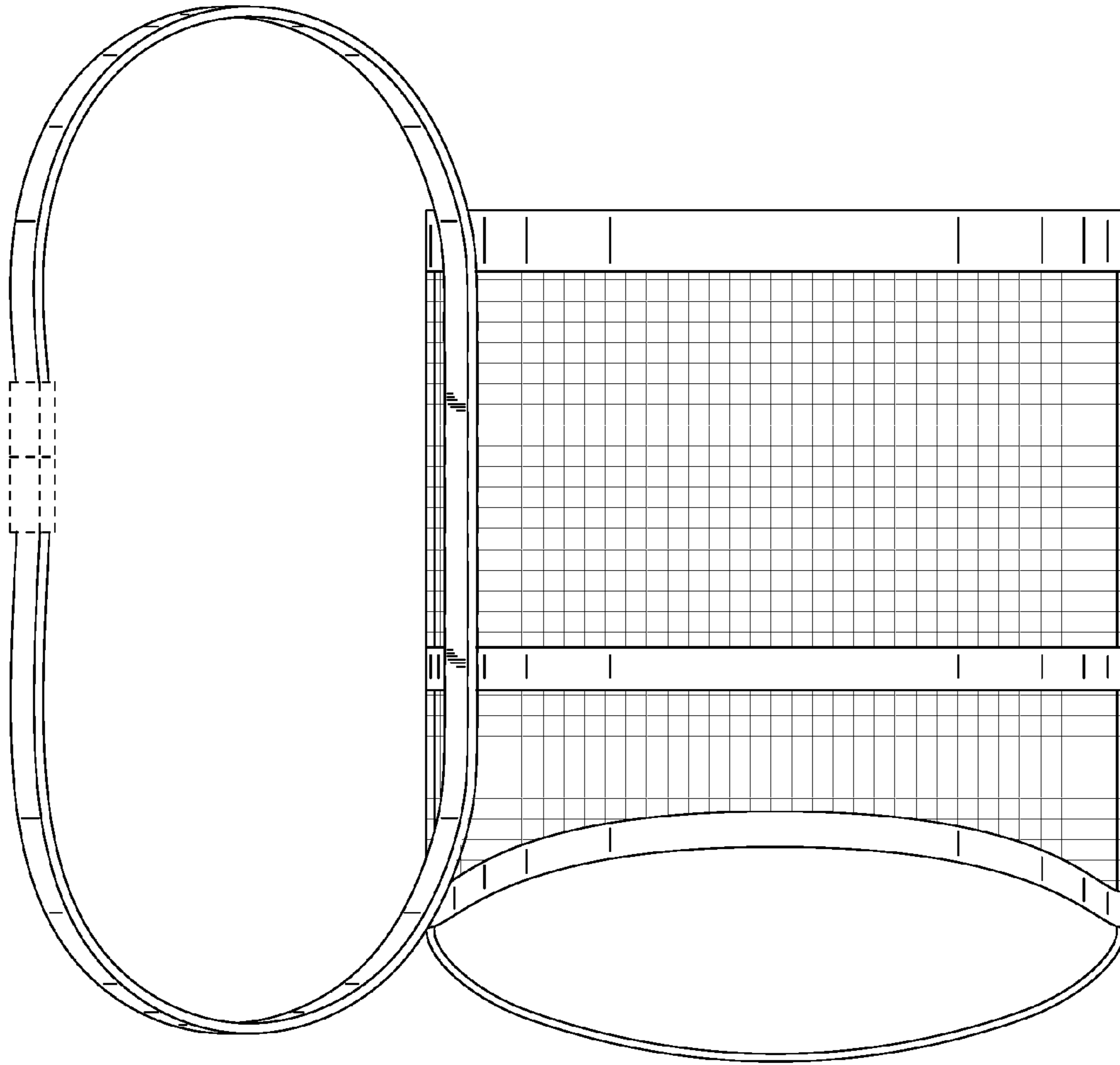


Fig. 5

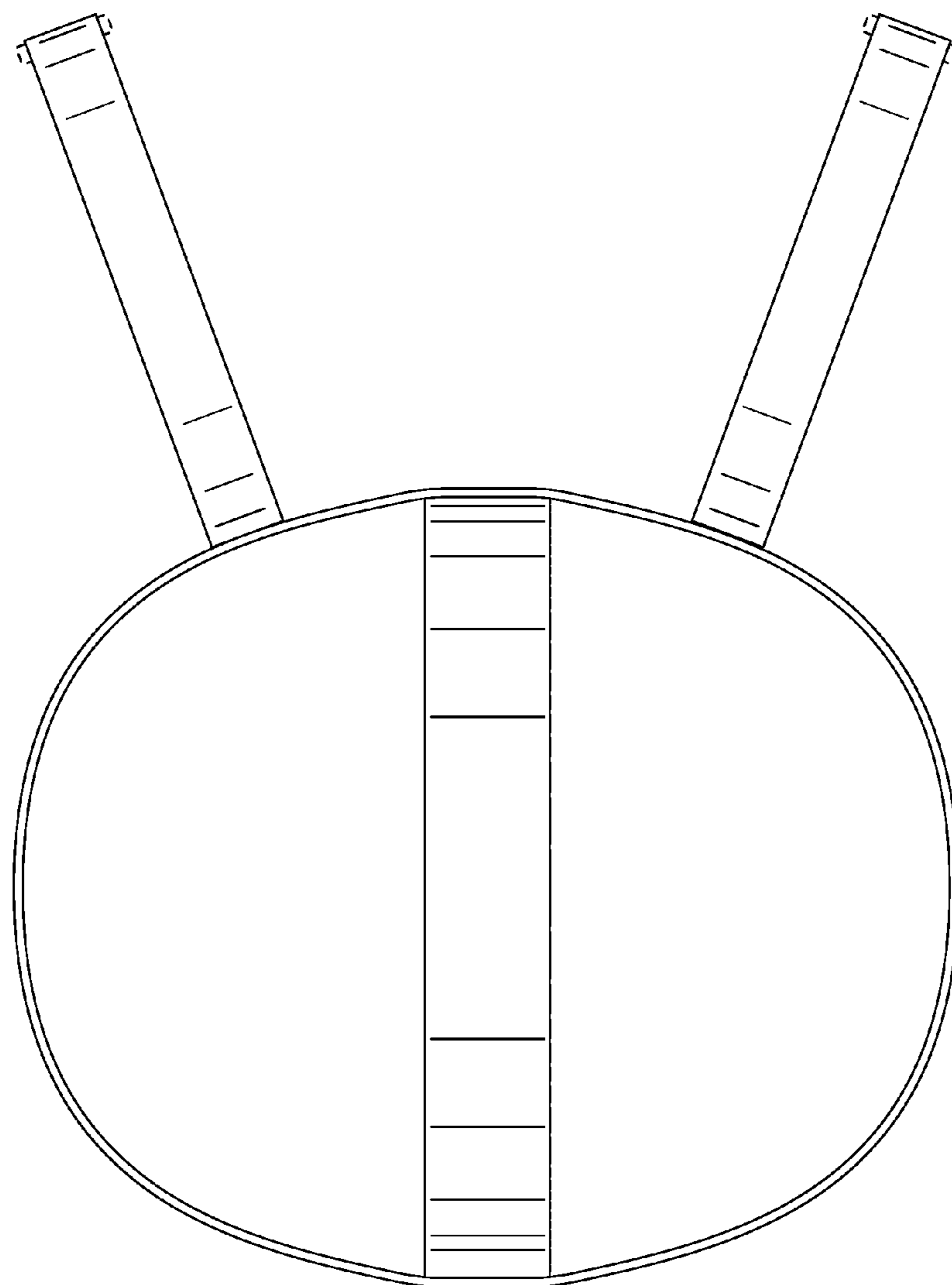


Fig. 6

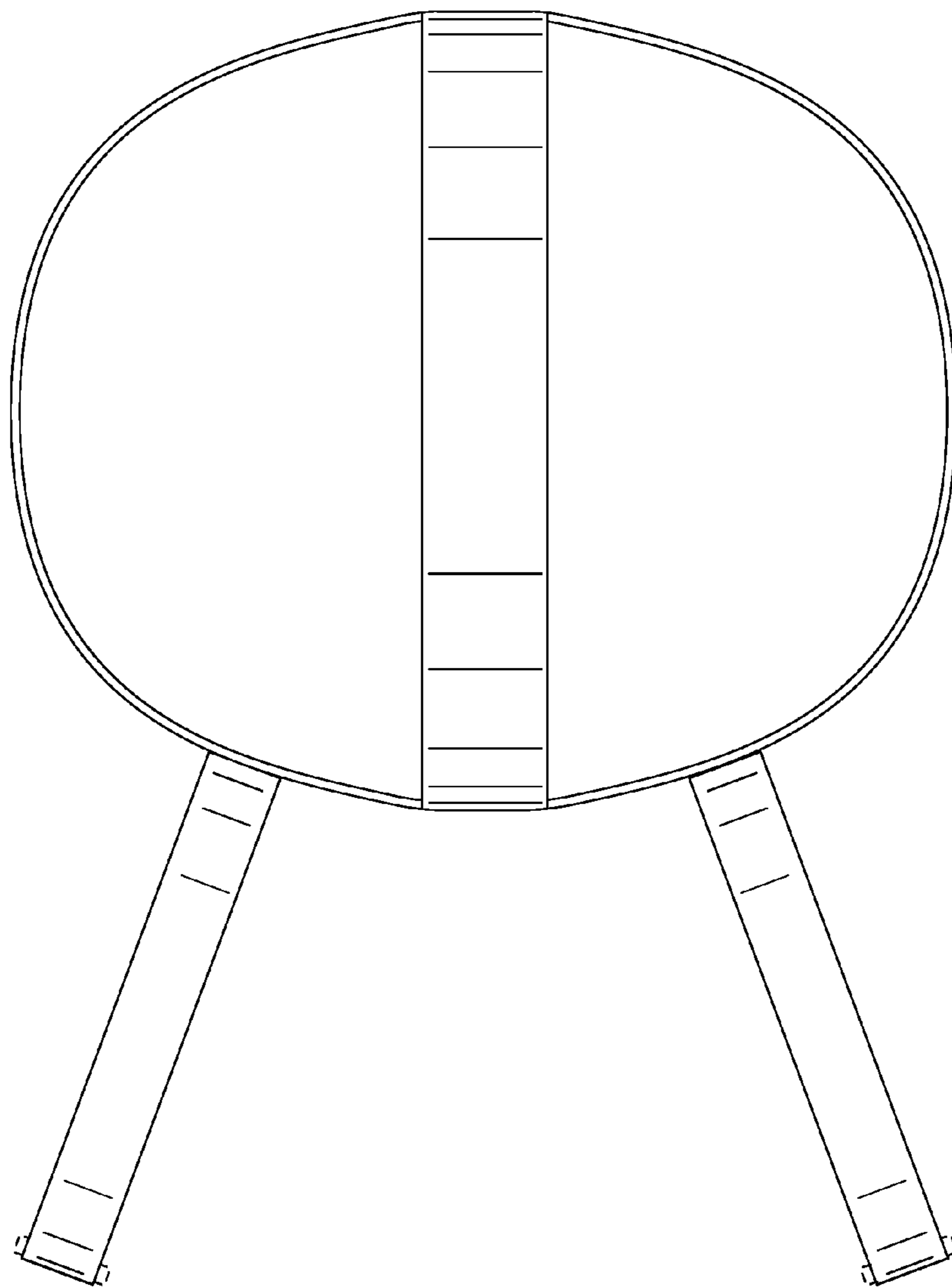


Fig. 7