



US00D695512S

(12) **United States Design Patent**
Priebe et al.

(10) **Patent No.:** **US D695,512 S**

(45) **Date of Patent:** **** Dec. 17, 2013**

(54) **MEDICINE CONTAINER**

(71) Applicant: **Apothecary Products, Inc.**, Burnsville, MN (US)

(72) Inventors: **Robert N. Priebe**, Bloomington, MN (US); **Terrance O. Noble**, Burnsville, MN (US)

(73) Assignee: **Apothecary Products, Inc.**, Burnsville, MN (US)

(**) Term: **14 Years**

(21) Appl. No.: **29/449,159**

(22) Filed: **Mar. 14, 2013**

(51) **LOC (9) Cl.** **03-01**

(52) **U.S. Cl.**
USPC **D3/203.3**

(58) **Field of Classification Search**
USPC D3/201–205, 294; 206/528–540
See application file for complete search history.

(56) **References Cited**

U.S. PATENT DOCUMENTS

D232,523 S * 8/1974 Nudell D3/203.3
D437,685 S * 2/2001 Liu D3/294
D661,082 S * 6/2012 Wingate, III D3/203.3
D663,112 S * 7/2012 Fulmer Mason D3/203.3

* cited by examiner

Primary Examiner — Catheri Oliver-Garcia

(74) *Attorney, Agent, or Firm* — Merchant & Gould P.C.

(57) **CLAIM**

The ornamental design for a medicine container, as shown and described.

DESCRIPTION

FIG. 1 is a top perspective view of a first medicine container depicted open and showing our design.

FIG. 2 is a front elevational view of the medicine container of FIG. 1.

FIG. 3 is a rear view opposite the view of FIG. 2

FIG. 4 is an end elevational view of the right end of FIG. 2

FIG. 5 is an end elevational view of the left end of FIG. 2.

FIG. 6 is a top plan view of the open container of FIG. 1.

FIG. 7 is a bottom plan view of the open container of FIG. 1.

FIG. 8 is a top perspective view of a second medicine container depicted open and showing our design.

FIG. 9 is a front elevational view of the open medicine container of FIG. 8.

FIG. 10 is a rear view opposite the view of FIG. 9.

FIG. 11 is an end elevational view of the right end of FIG. 8.

FIG. 12 is an end elevational view of the left end of FIG. 9.

FIG. 13 is a top plan view of the open container of FIG. 8.

FIG. 14 is a bottom plan view of the open container of FIG. 8.

FIG. 15 is a top perspective view of a third medicine container depicted open showing our design.

FIG. 16 is a front elevational view of the open medicine container of FIG. 15.

FIG. 17 is a rear view opposite the view of FIG. 16.

FIG. 18 is an end elevational view of the right end of FIG. 17.

FIG. 19 is an end elevational view of the left end of FIG. 17.

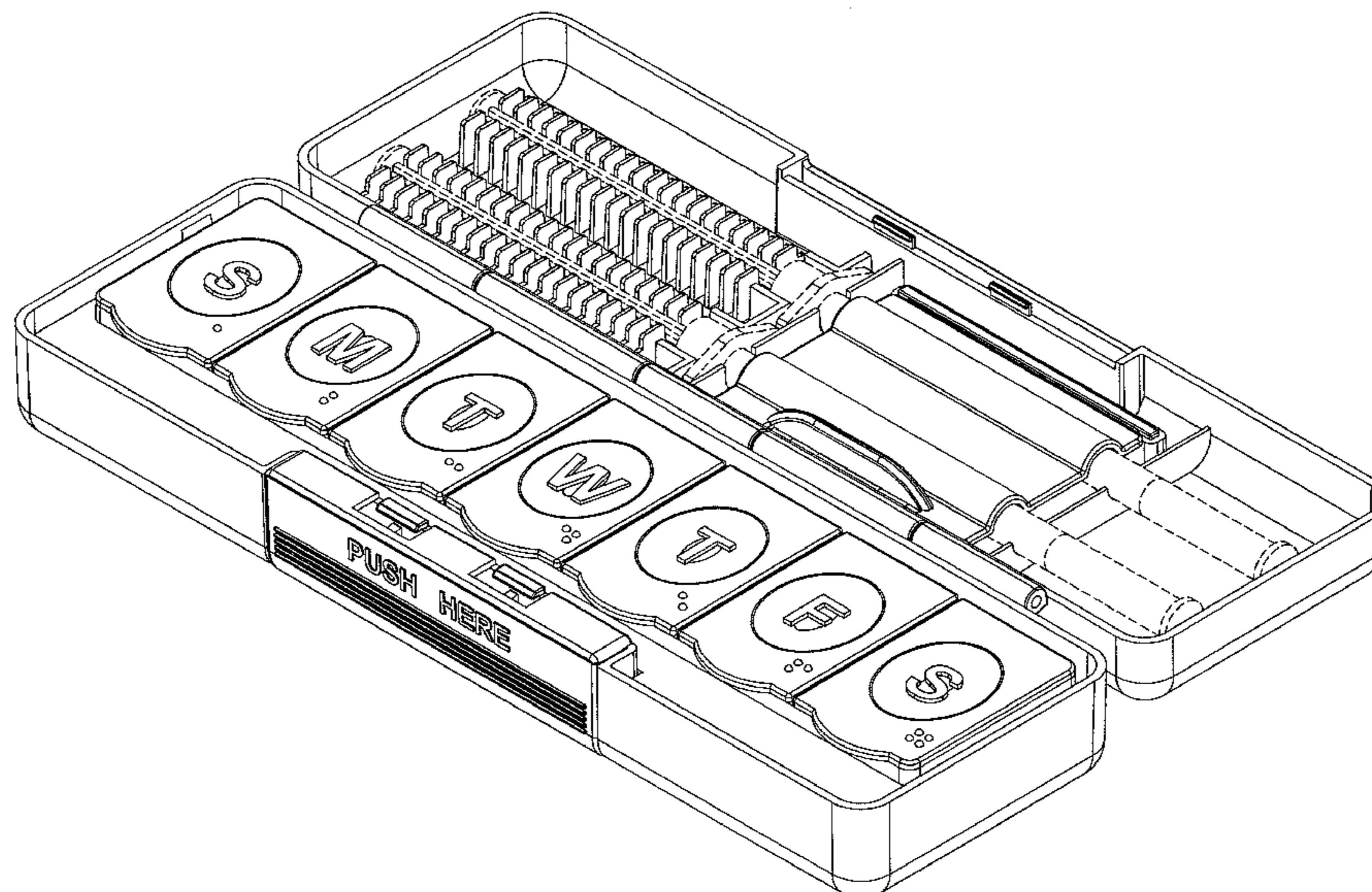
FIG. 20 is a top plan view of the open container of FIG. 15;

and,

FIG. 21 is a bottom plan view of the open container of FIG. 15.

The phantom line showing parts of the drawings is included for purposes of illustrating use environment and/or optional features and forms no part of the claimed design.

1 Claim, 15 Drawing Sheets



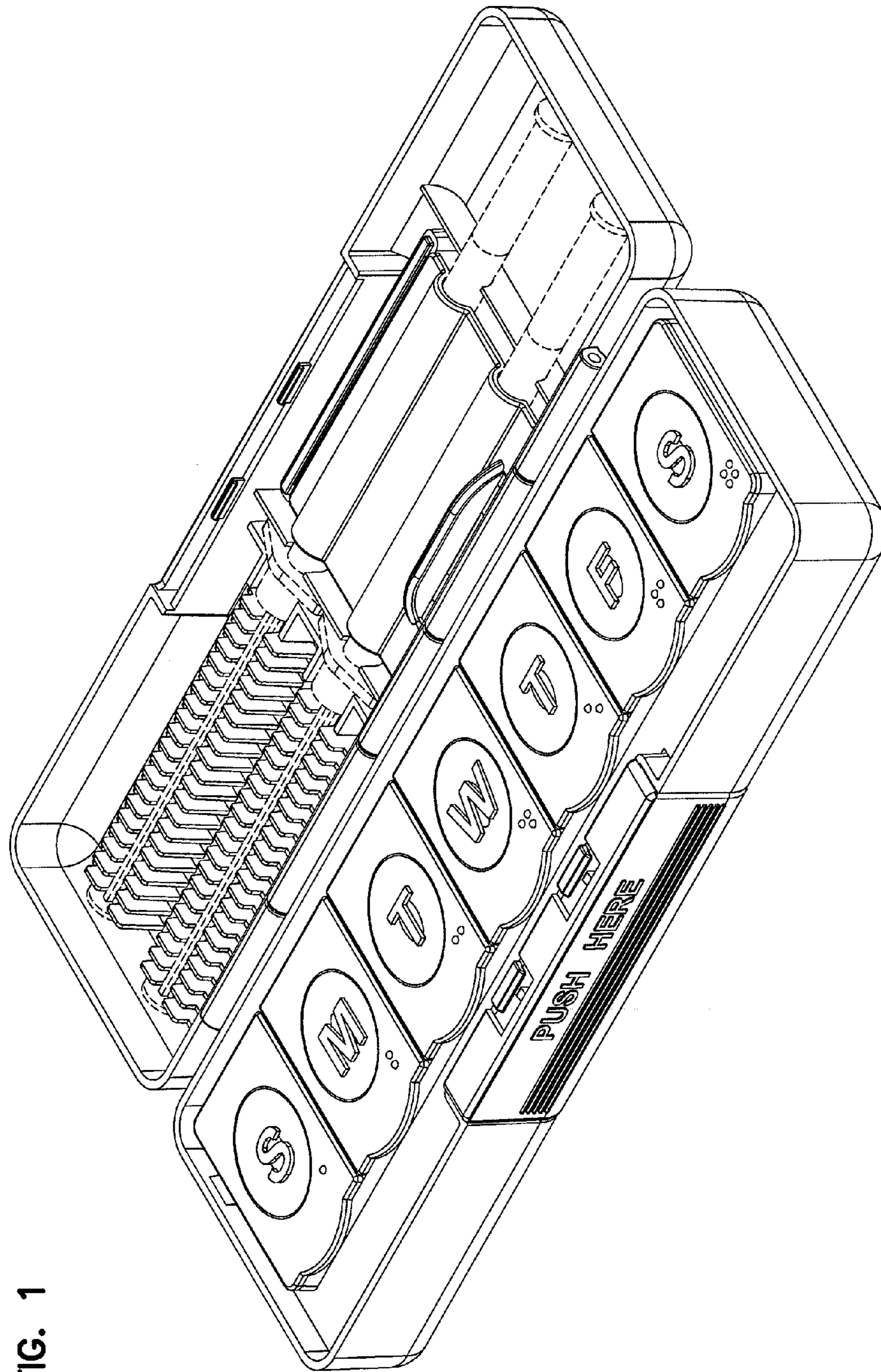


FIG. 1

FIG. 2

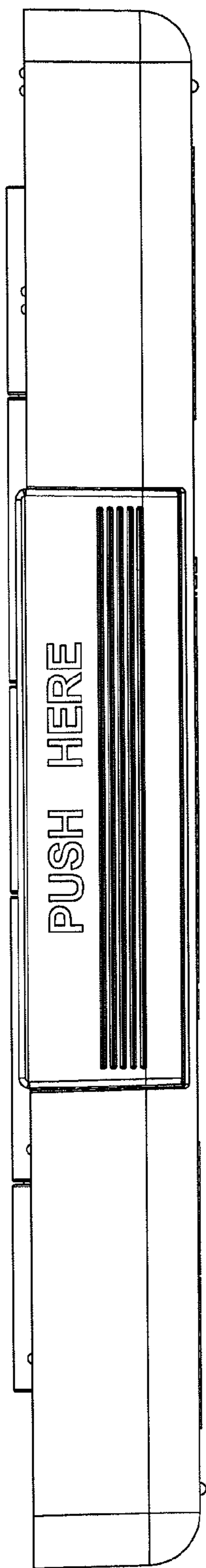


FIG. 3

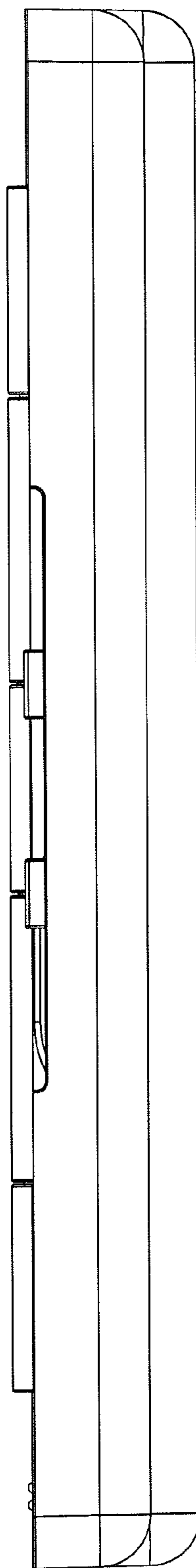


FIG. 4

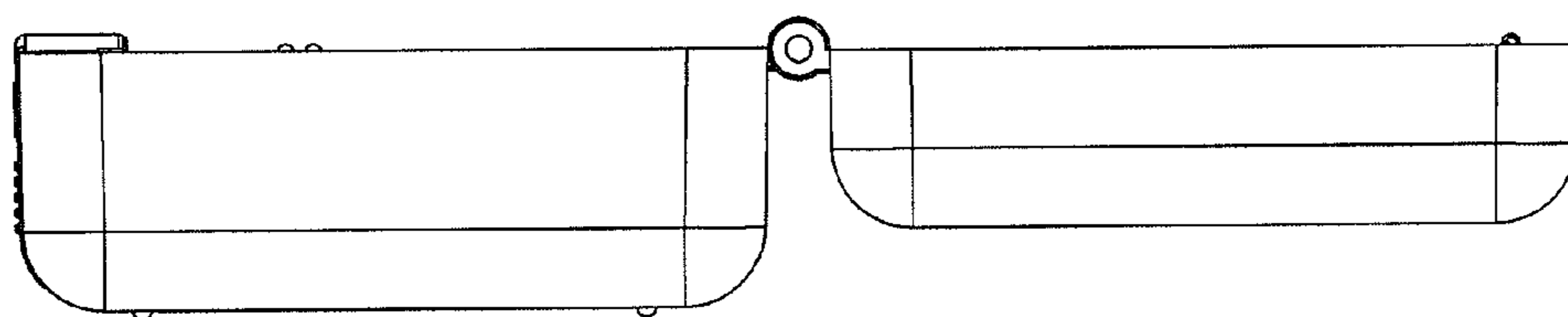


FIG. 5

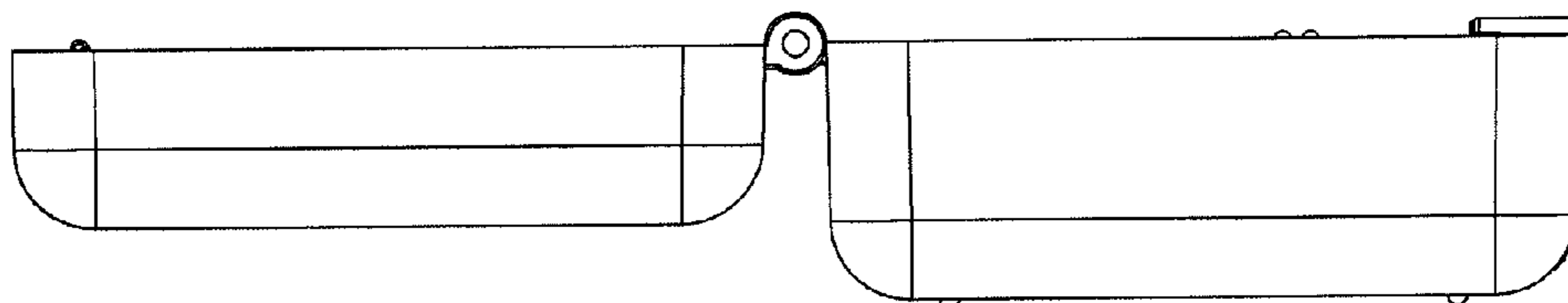
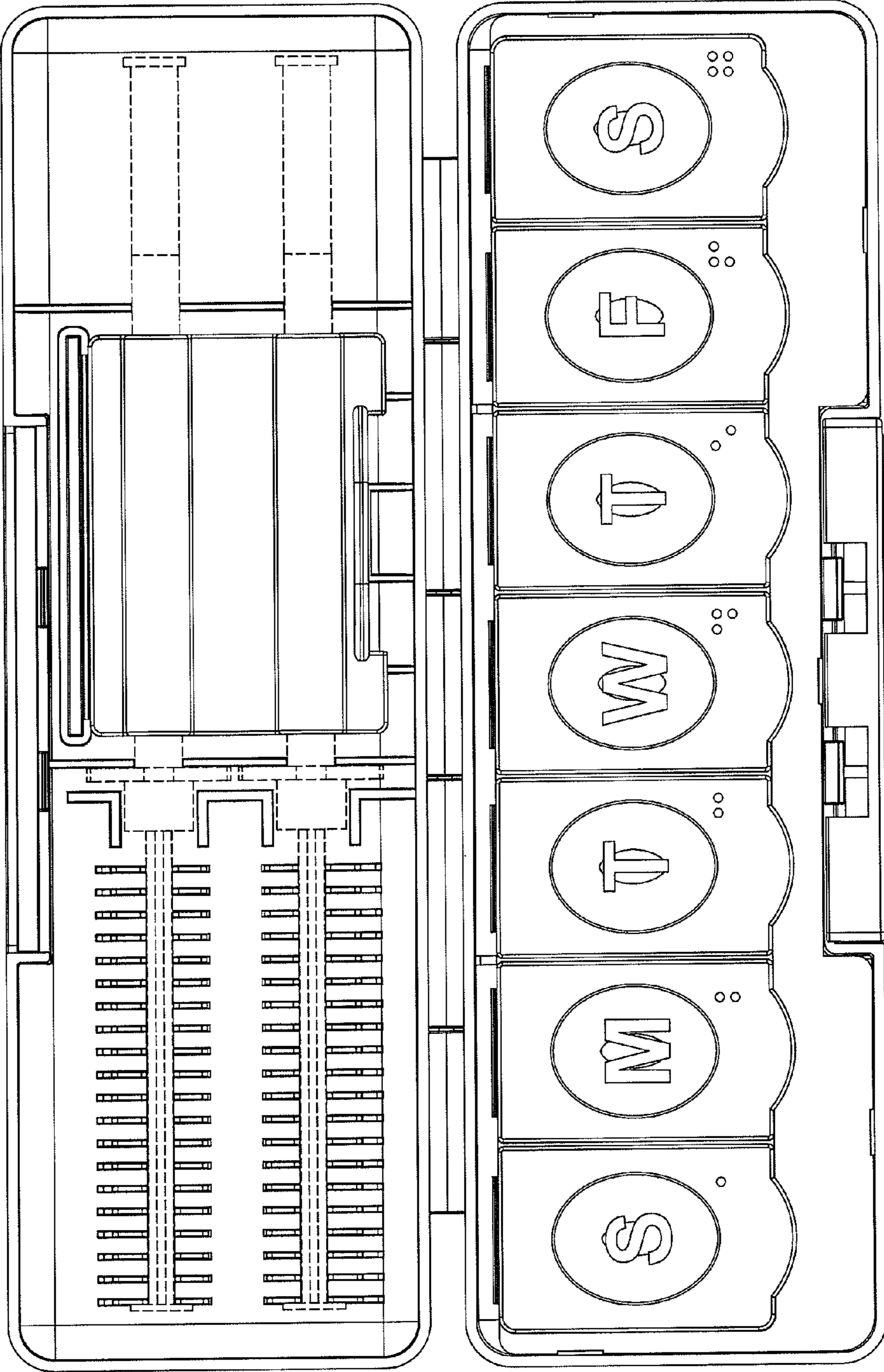


FIG. 6



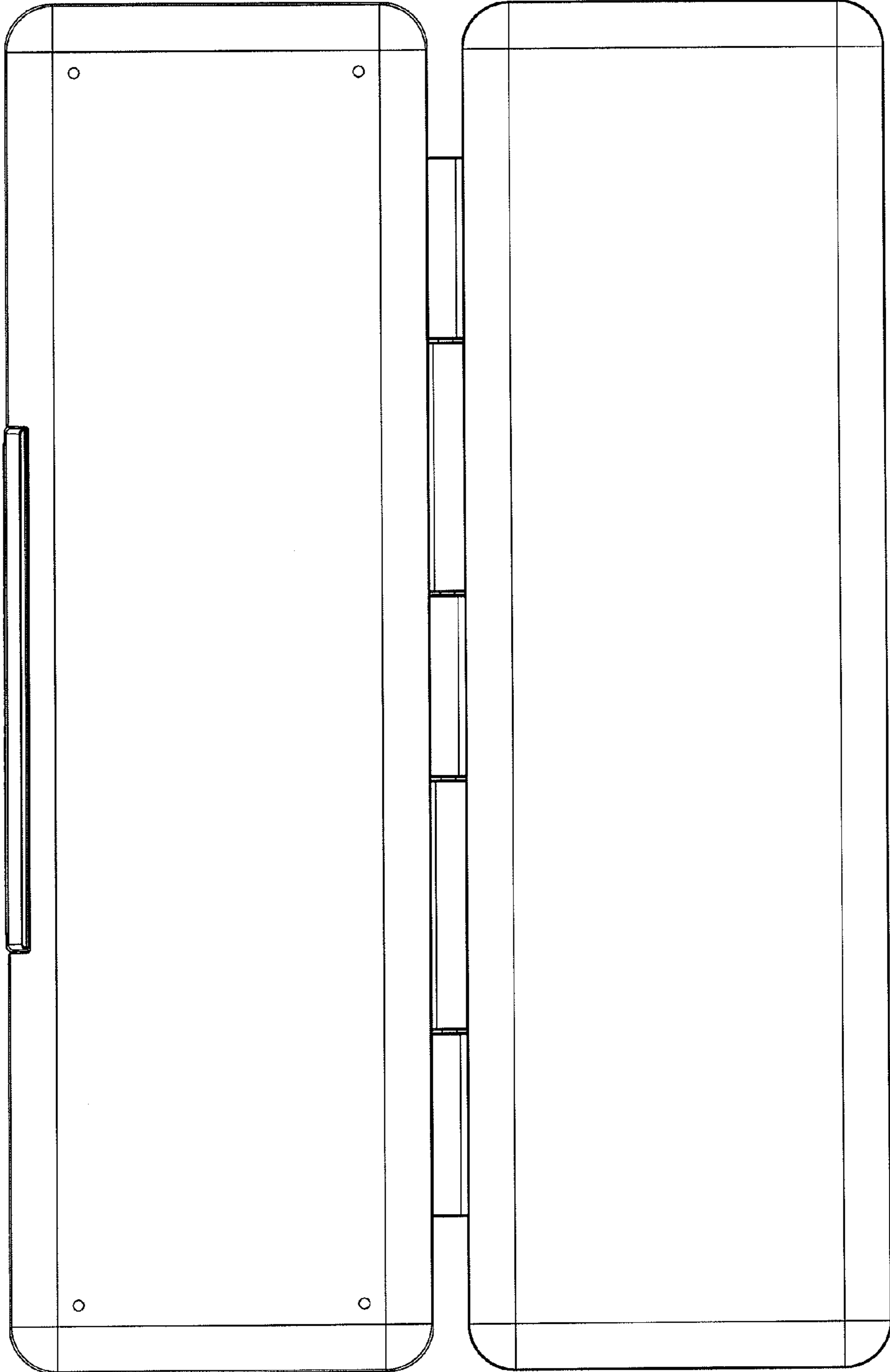


FIG. 7

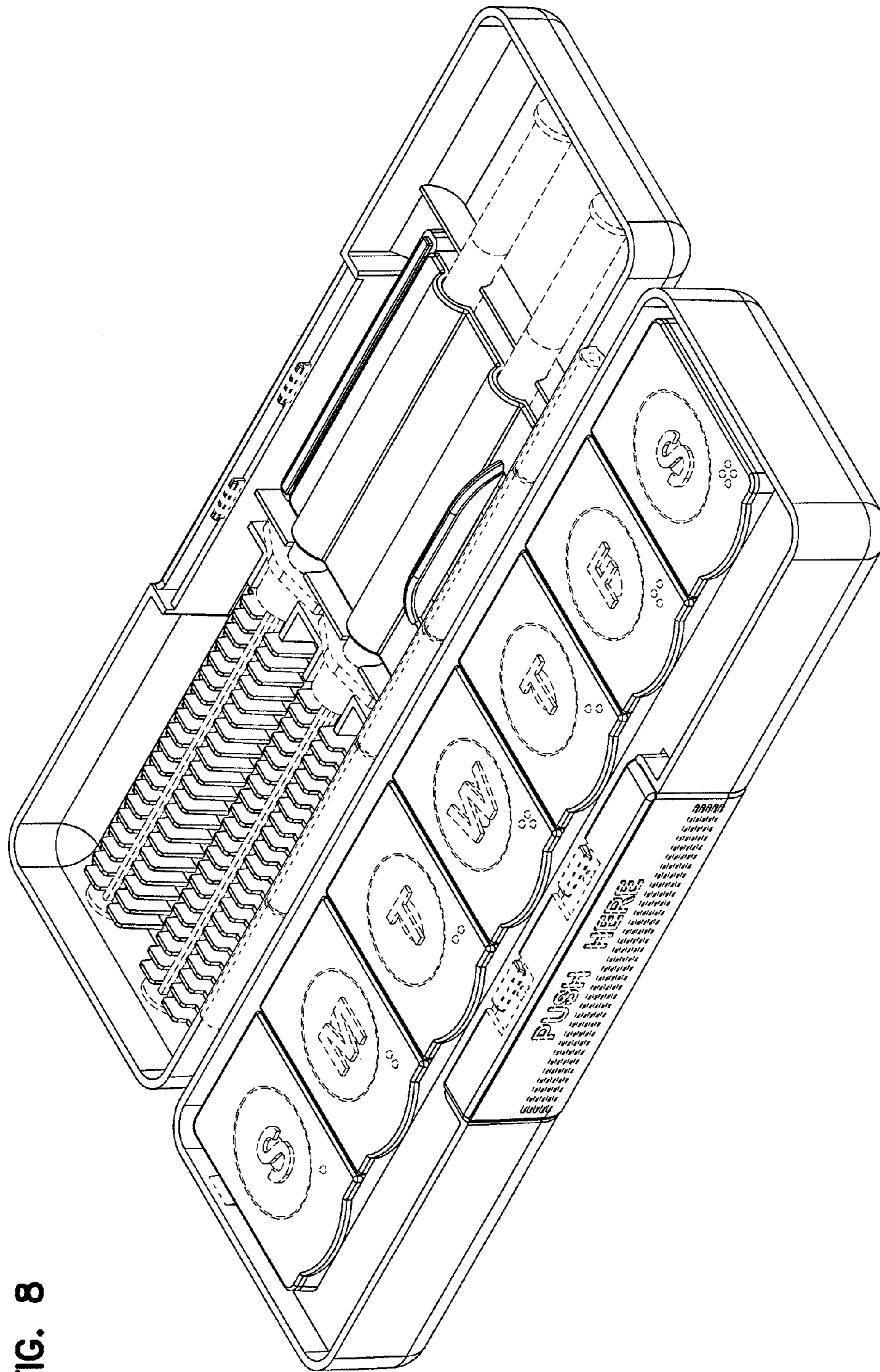


FIG. 8

FIG. 9

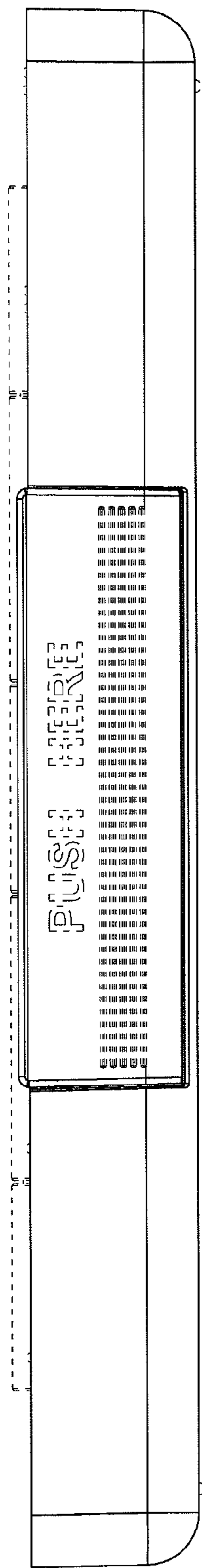


FIG. 10

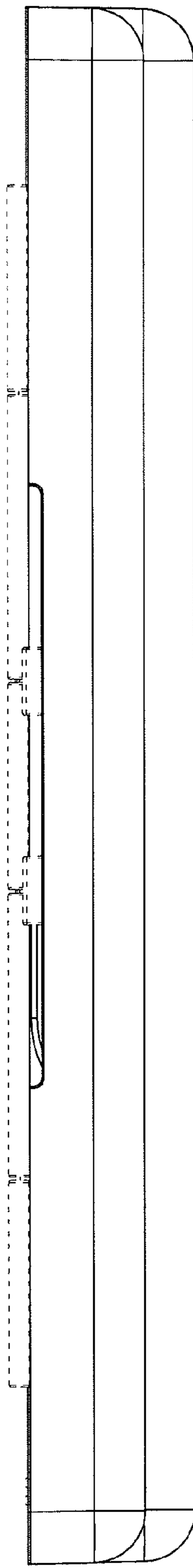


FIG. 11

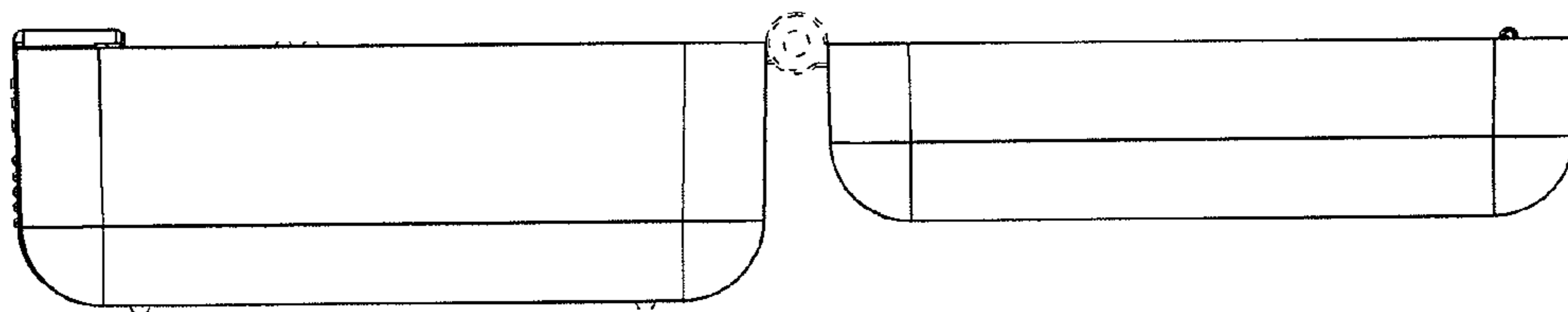


FIG. 12

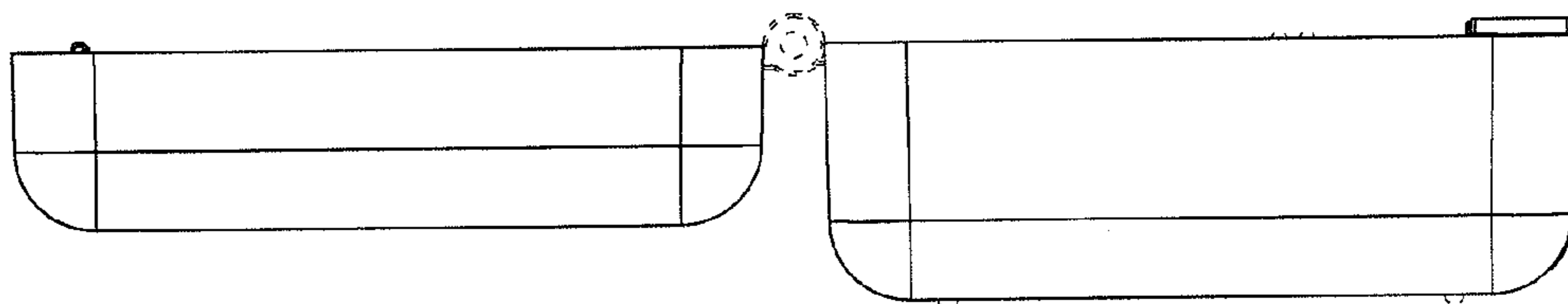
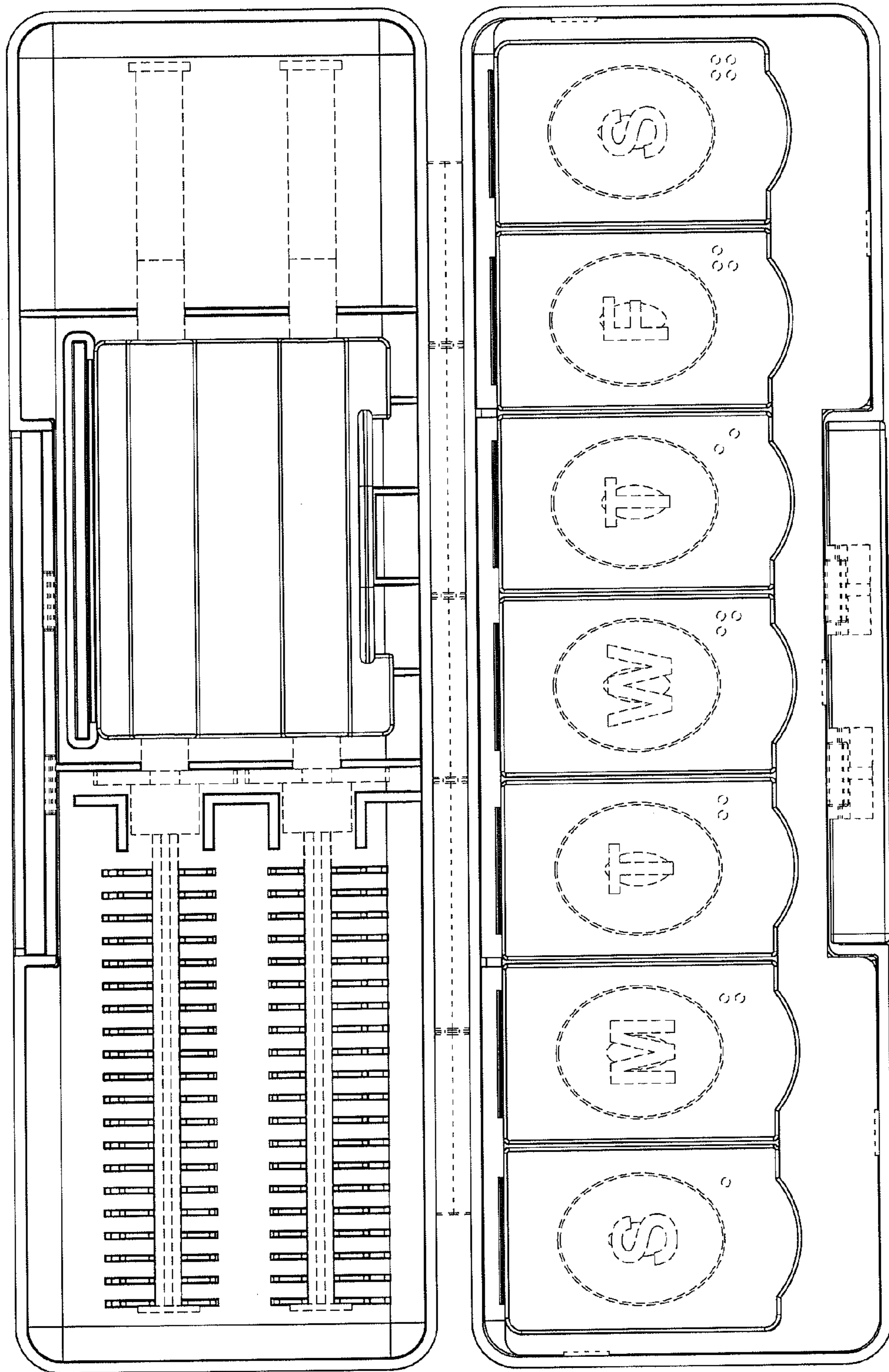


FIG. 13



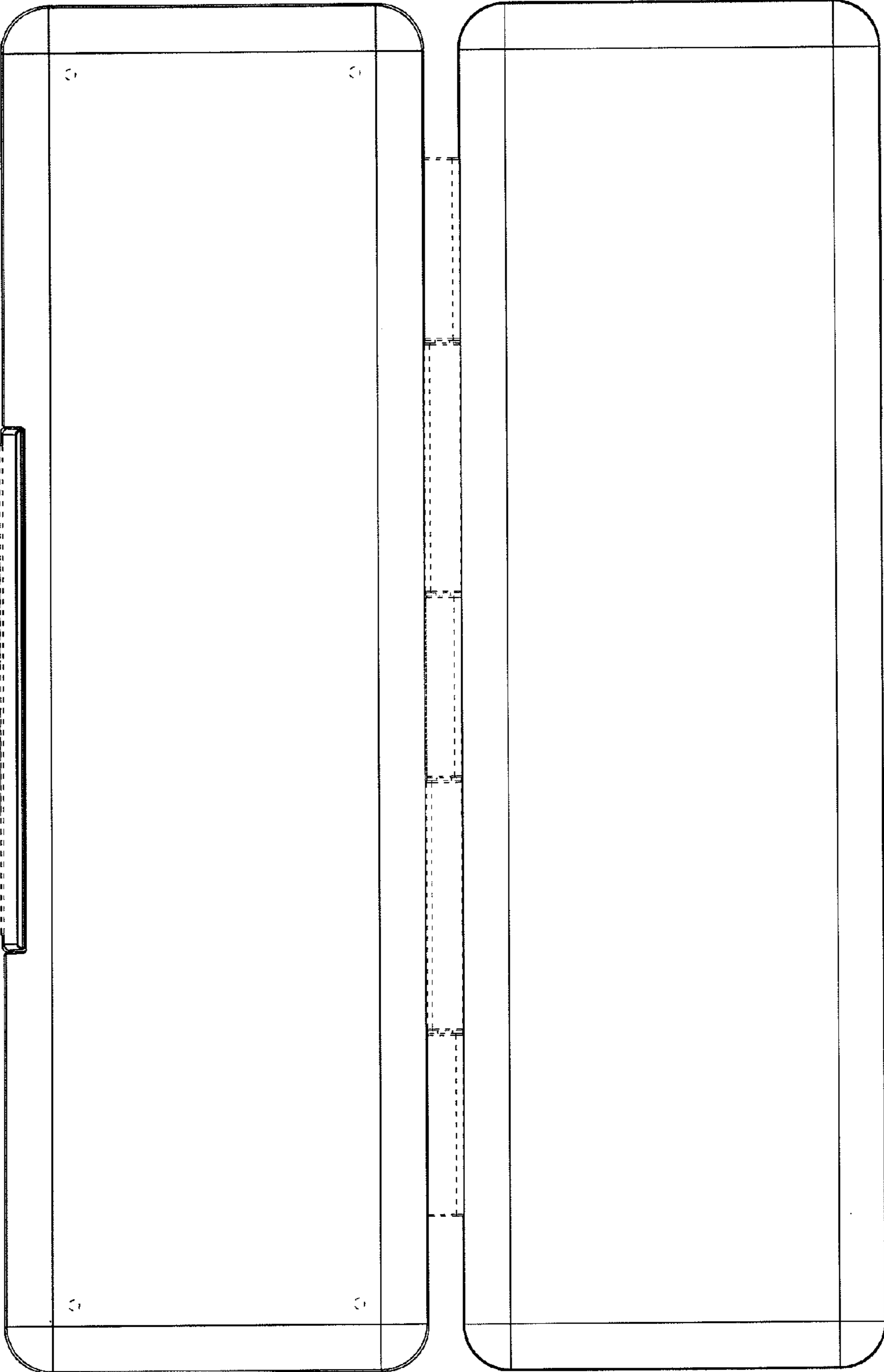


FIG. 14

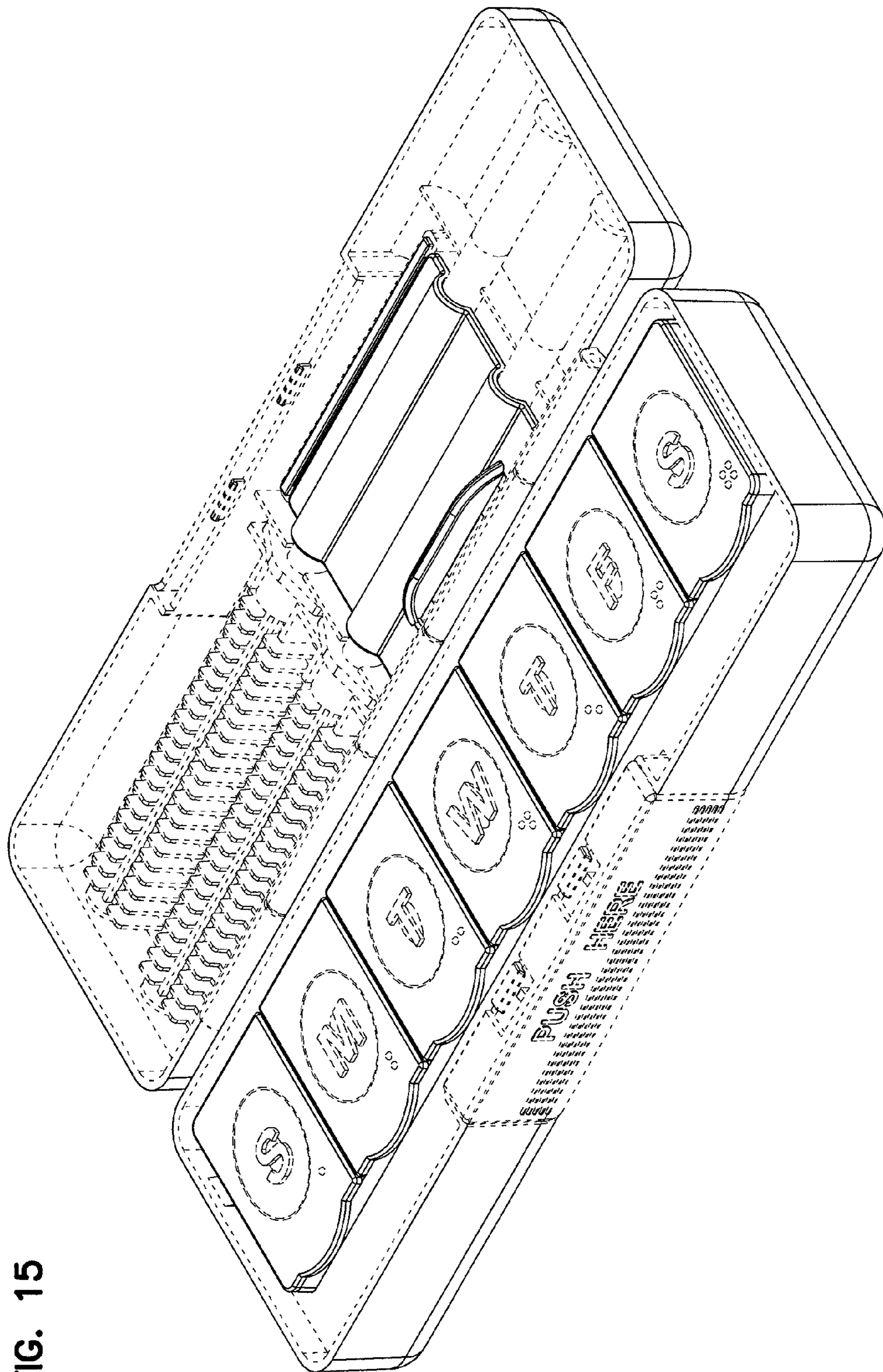


FIG. 15

FIG. 16

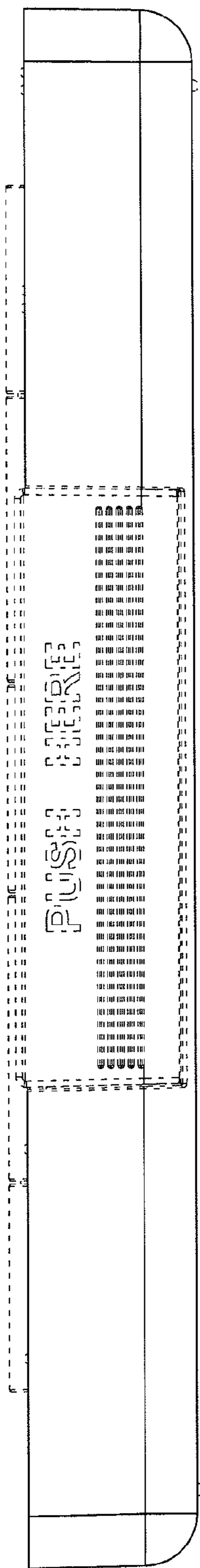


FIG. 17

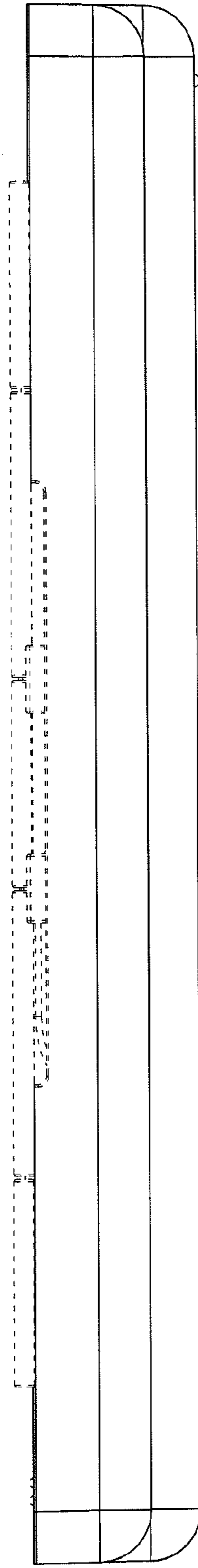


FIG. 18

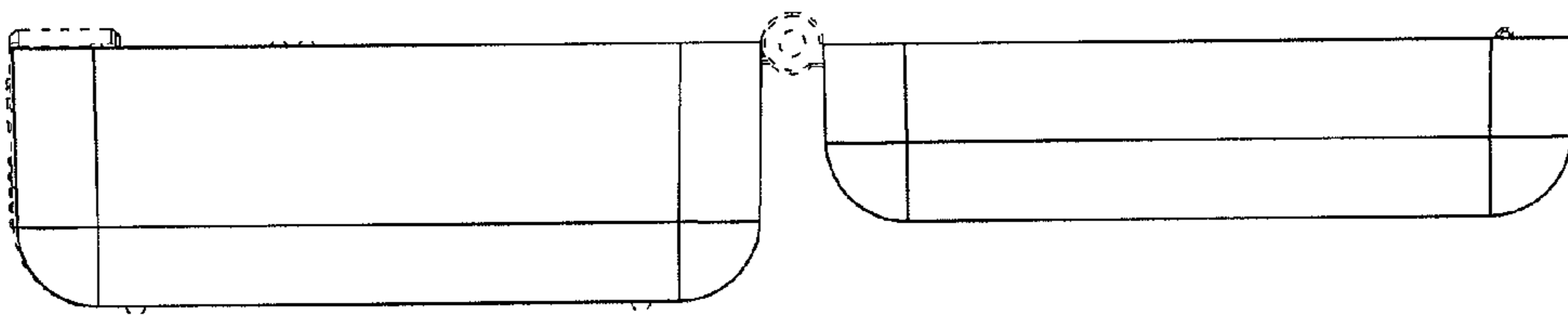


FIG. 19

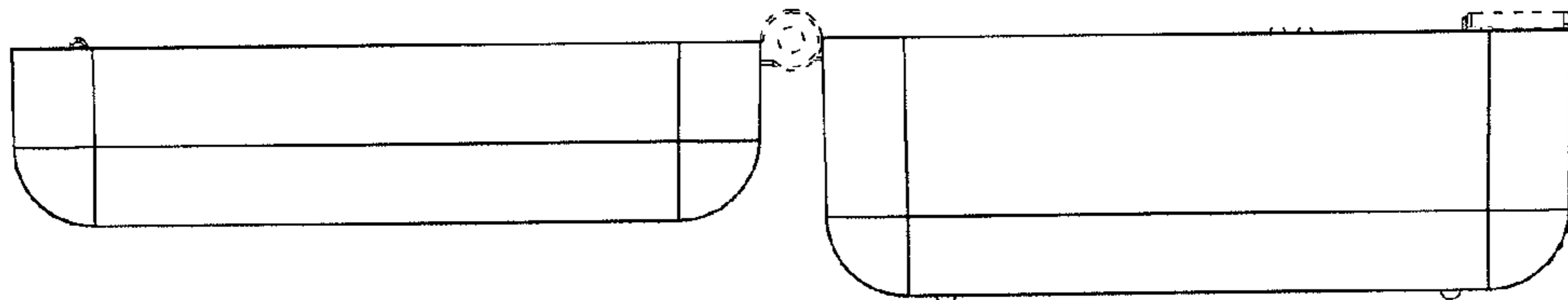
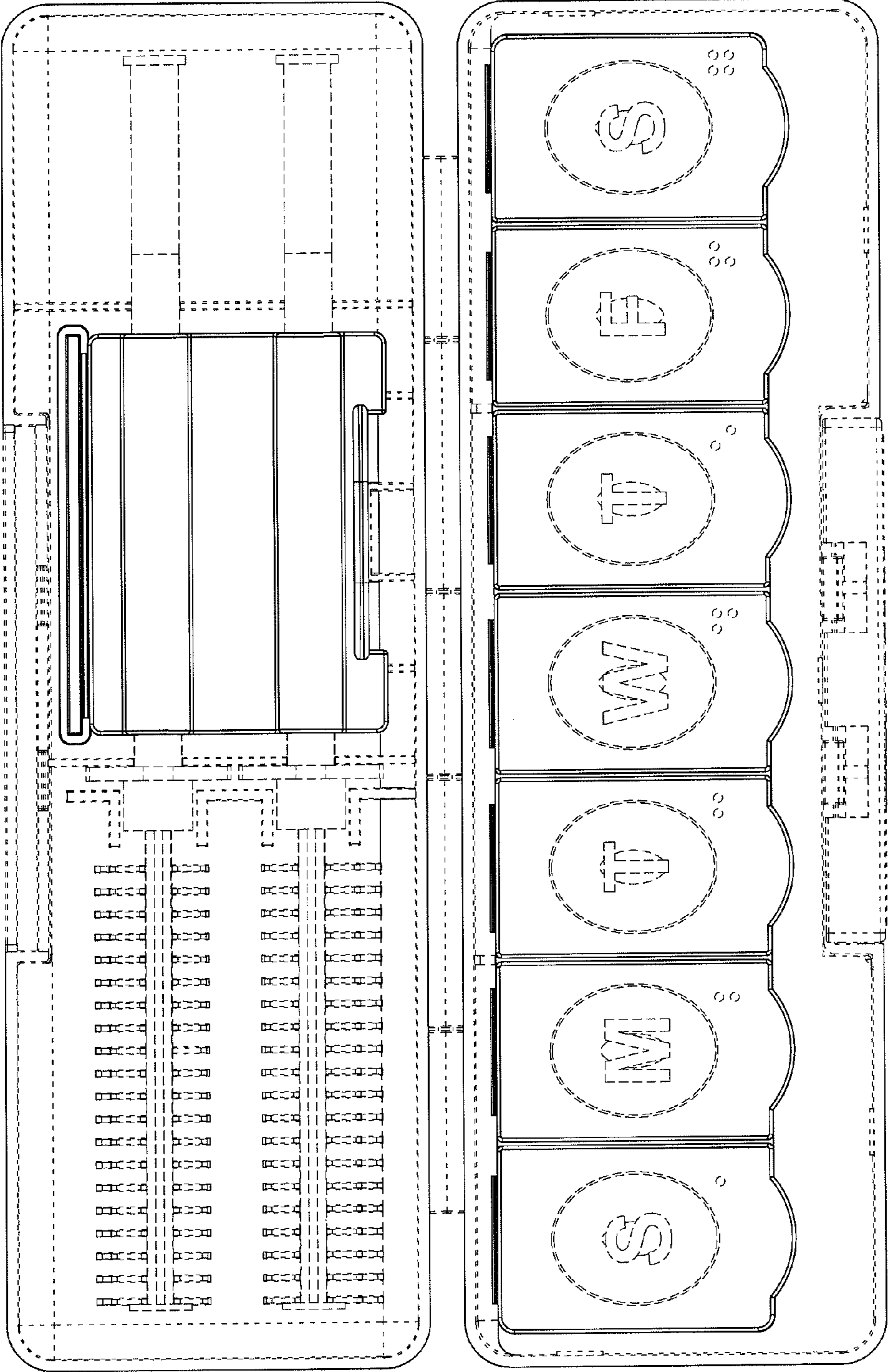


FIG. 20



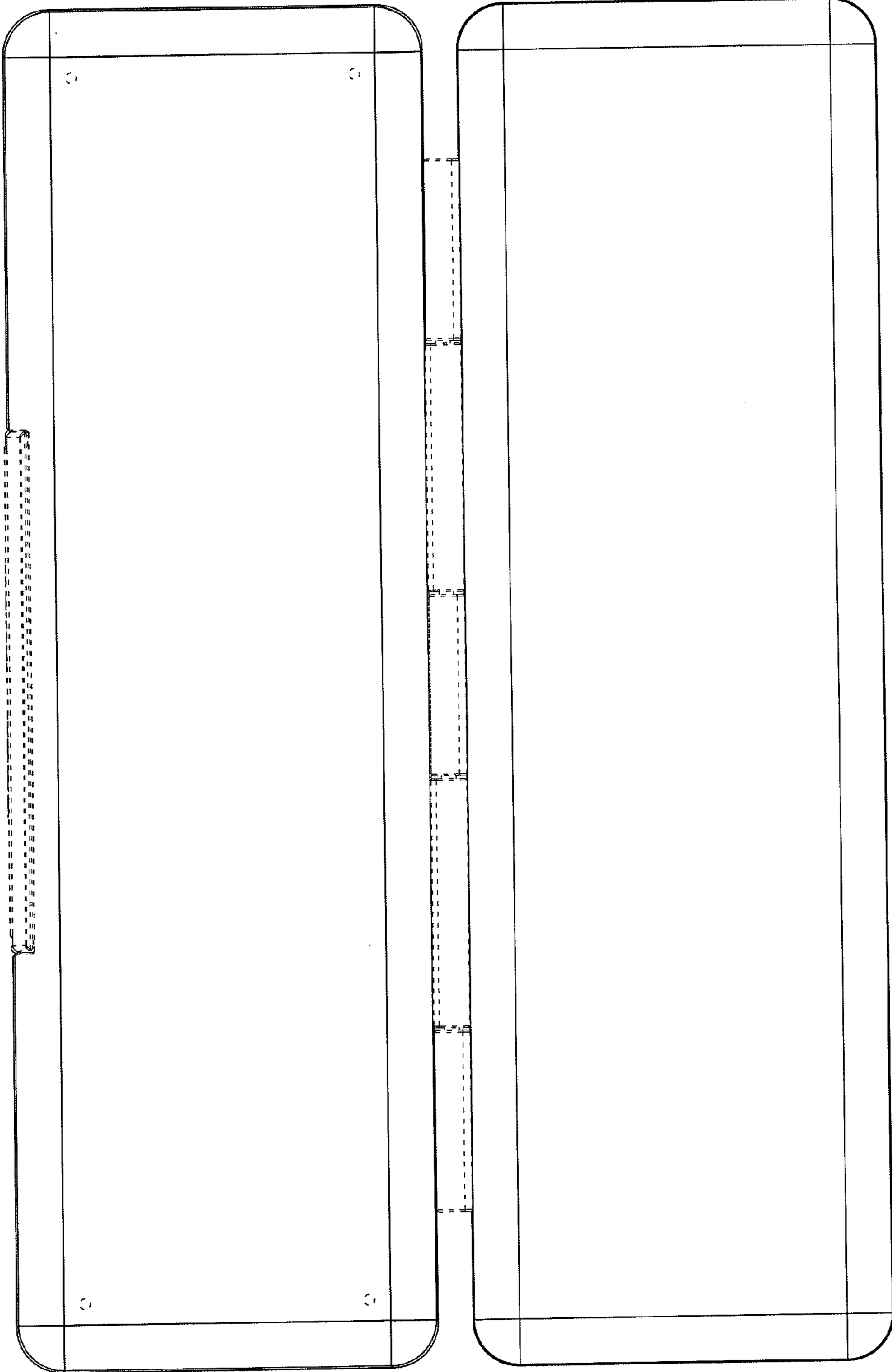


FIG. 21