



US00D695511S

(12) **United States Design Patent**
Sharpe et al.

(10) **Patent No.:** **US D695,511 S**

(45) **Date of Patent:** **** Dec. 17, 2013**

(54) **DOSAGE ASSEMBLY**

D387,552 S * 12/1997 Hayman D3/203.2
D498,584 S * 11/2004 DiMarchi et al. D3/203.2
D625,911 S * 10/2010 Lee et al. D3/203.2

(71) Applicants: **Gary Sharpe**, Naples, FL (US); **Doug Clouser**, Galloway, OH (US)

* cited by examiner

(72) Inventors: **Gary Sharpe**, Naples, FL (US); **Doug Clouser**, Galloway, OH (US)

Primary Examiner — Catheri Oliver-Garcia

(74) *Attorney, Agent, or Firm* — Standley Law Group LLP

(**) Term: **14 Years**

(57) **CLAIM**

The ornamental design for a dosage assembly, as shown and described above.

(21) Appl. No.: **29/436,869**

DESCRIPTION

(22) Filed: **Nov. 9, 2012**

(51) **LOC (9) Cl.** **03-01**

(52) **U.S. Cl.**
USPC **D3/203.2**

(58) **Field of Classification Search**
USPC D3/201–205; 206/528–540; D9/560,
D9/562, 730; 215/201, 225, 901, 380, 44,
215/6; 221/202, 234, 260, 263, 266, 288
See application file for complete search history.

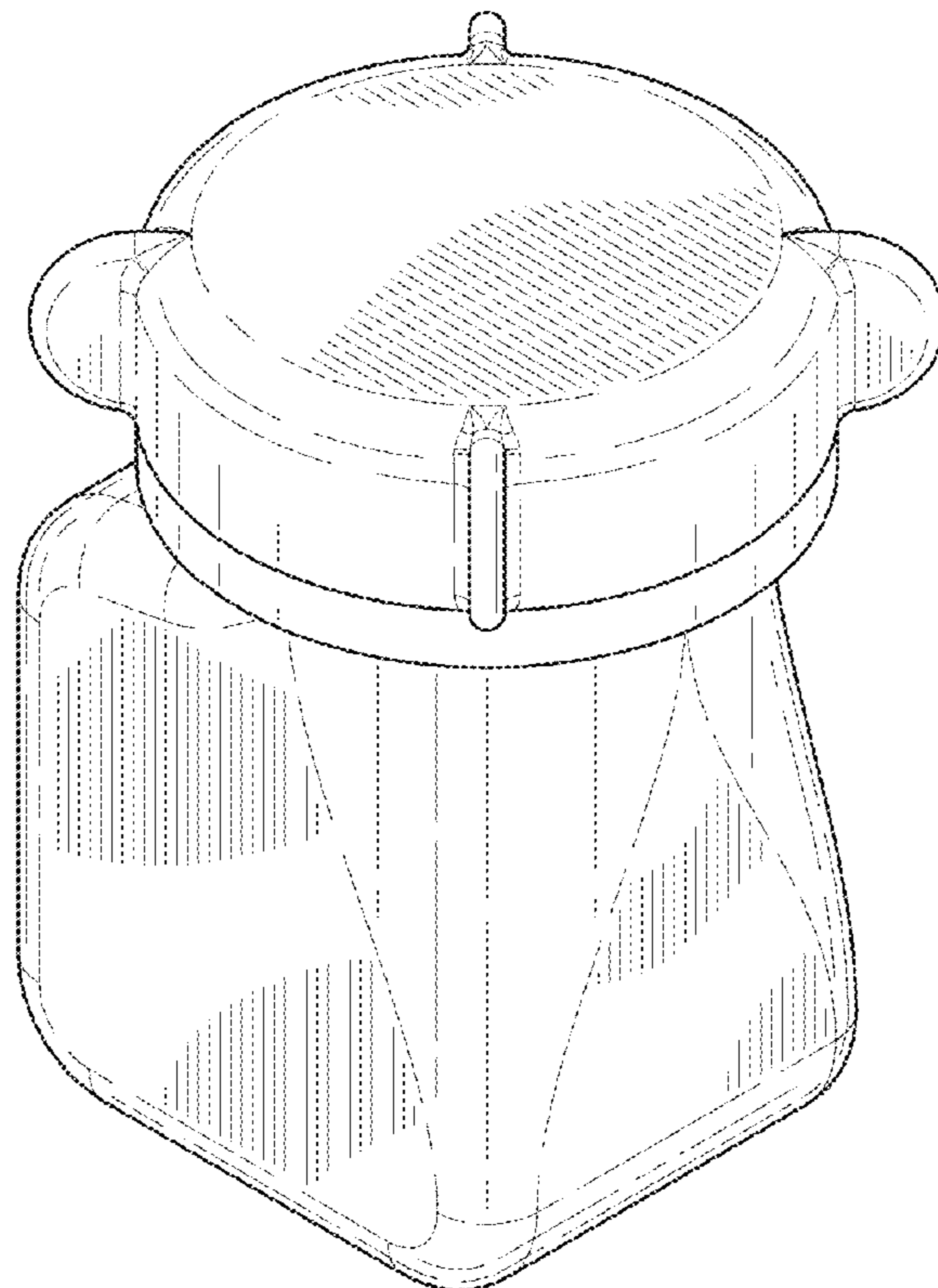
FIG. 1 is a top perspective view of a first embodiment of a dosage assembly showing our new design; FIG. 2 is a top rear perspective view of the FIG. 1 device; FIG. 3 is a top view of the FIG. 1 device, FIG. 4 is a right side view of the FIG. 1 device; FIG. 5 is a rear view of the FIG. 1 device; FIG. 6 is a left side view of the FIG. 1 device; FIG. 7 is a front view of the FIG. 1 device; FIG. 8 is a bottom perspective view of the FIG. 1 device; FIG. 9 is a top front perspective view of a second embodiment of a dosage assembly showing our new design; FIG. 10 is a top rear perspective view of the FIG. 9 device; FIG. 11 is a top view of the FIG. 9 device; FIG. 12 is a right side view of the FIG. 9 device; FIG. 13 is a rear view of the FIG. 9 device; FIG. 14 is a left side view of the FIG. 9 device; FIG. 15 is a front view of the FIG. 9 device; and, FIG. 16 is a bottom view of the FIG. 9 device.

(56) **References Cited**

U.S. PATENT DOCUMENTS

D103,050 S * 2/1937 Higgins D9/560
2,962,190 A * 11/1960 Horland 221/202
3,289,885 A * 12/1966 Villaveces 221/288
5,544,768 A * 8/1996 Gargione 215/209
D382,488 S * 8/1997 Ja D9/560

1 Claim, 6 Drawing Sheets



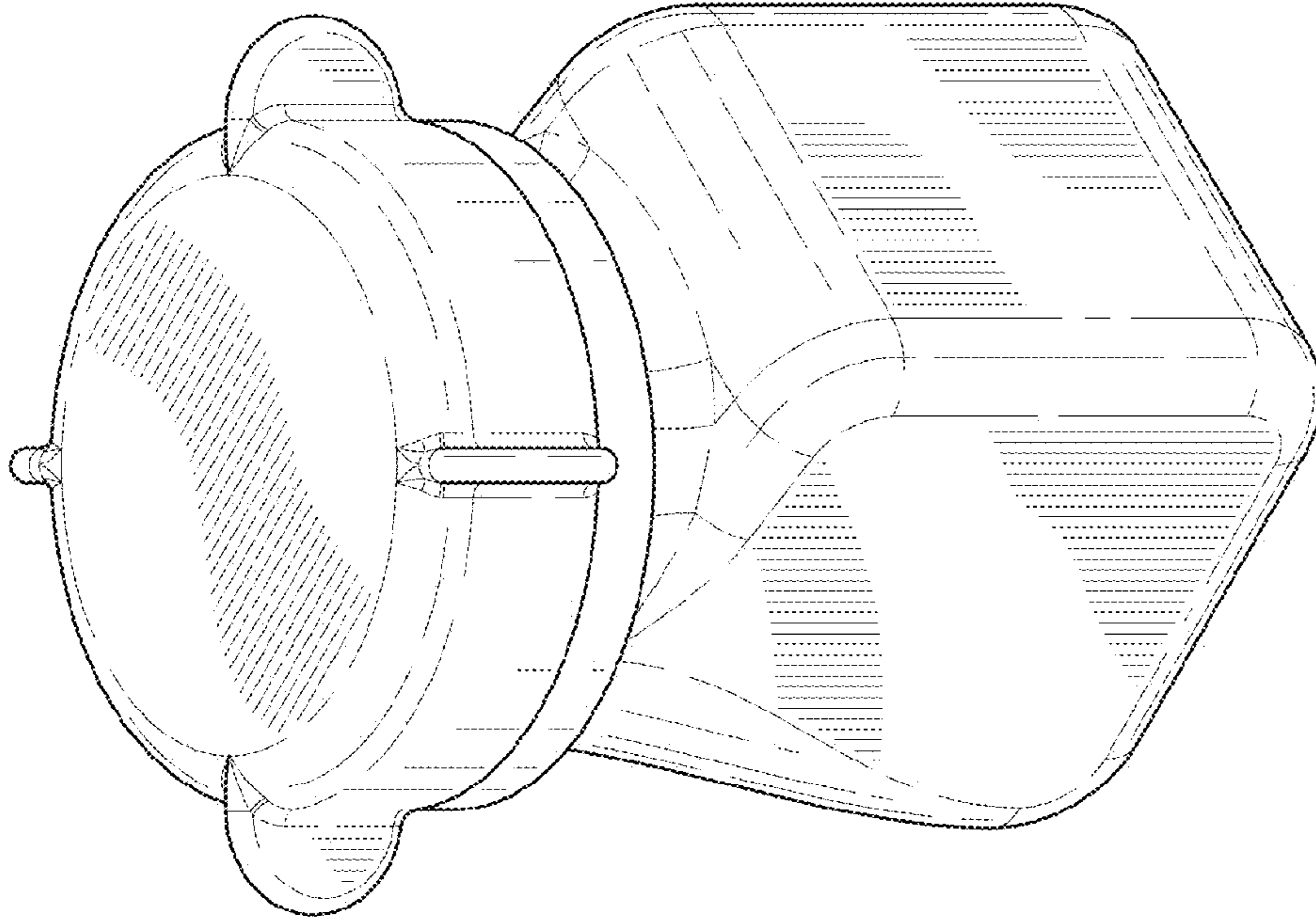


FIG-2

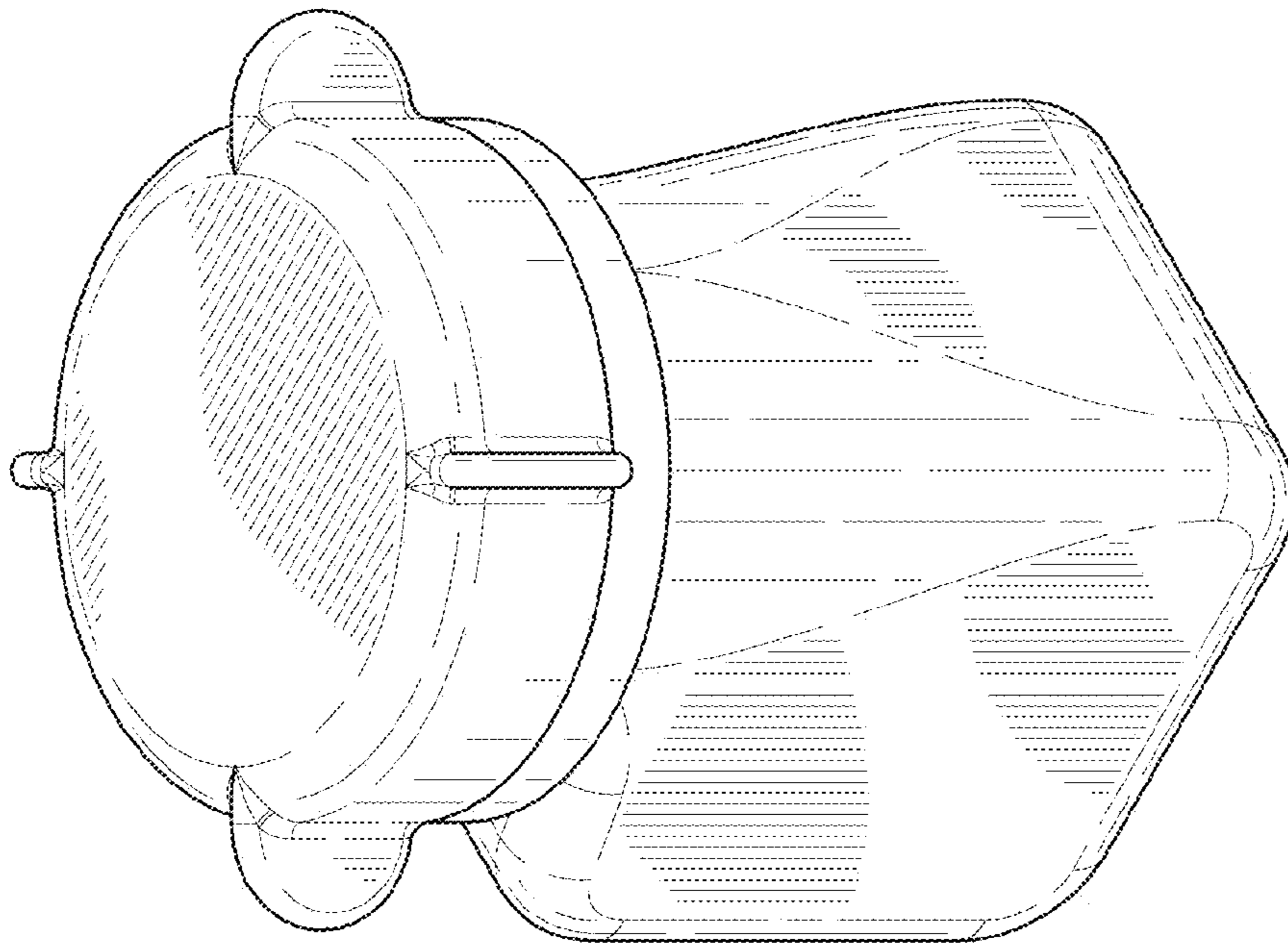


FIG-1

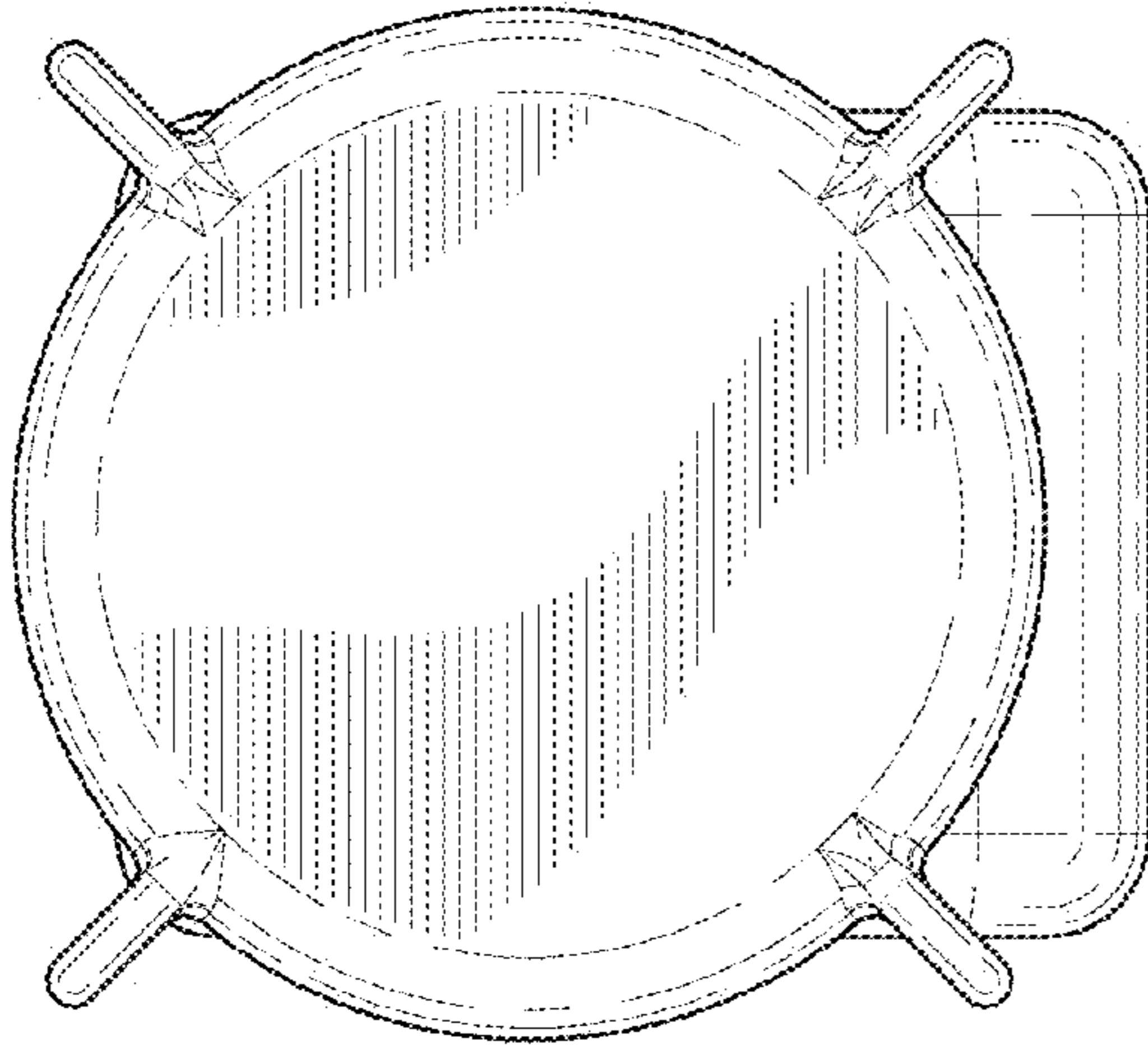


FIG-3

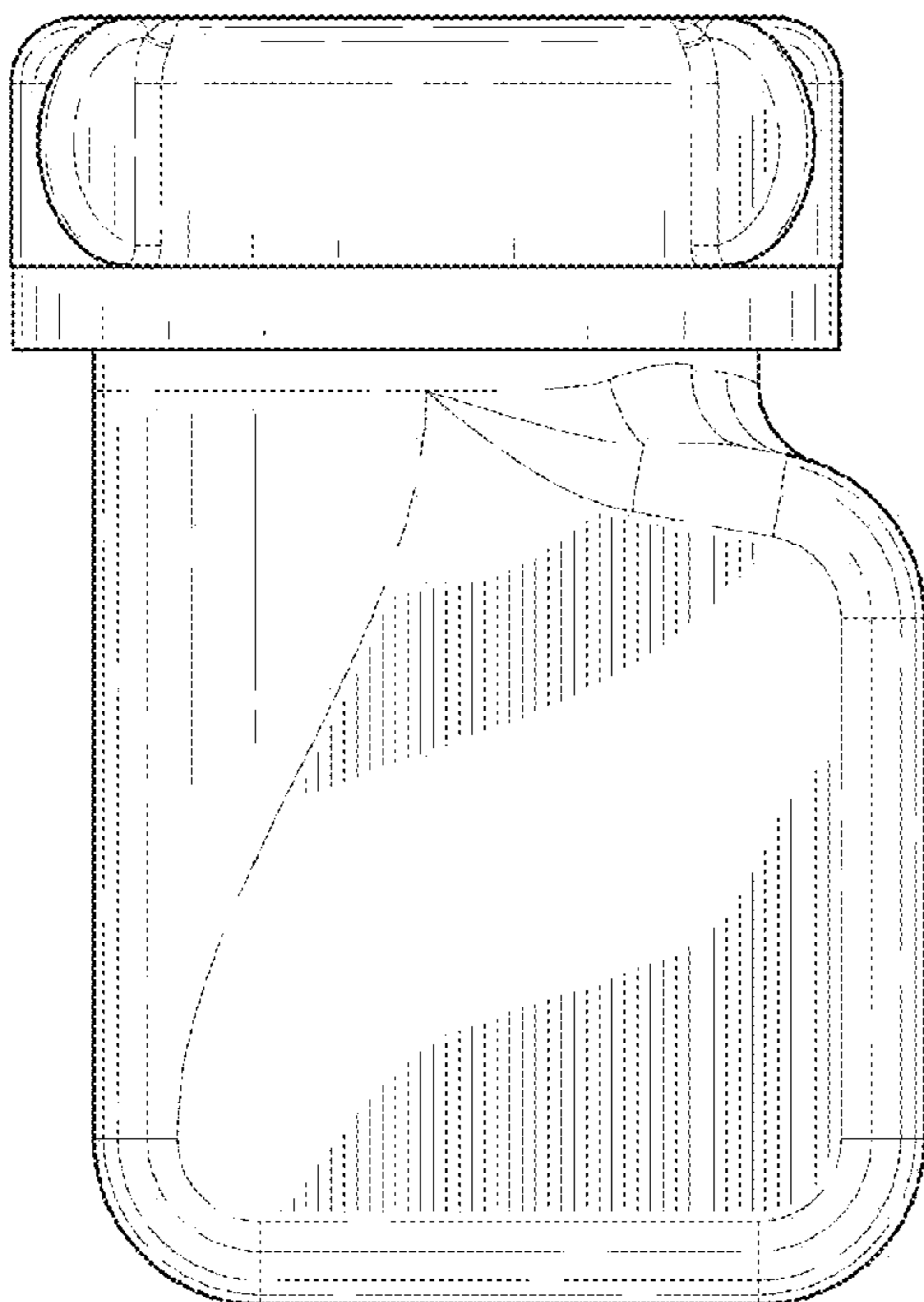


FIG-4

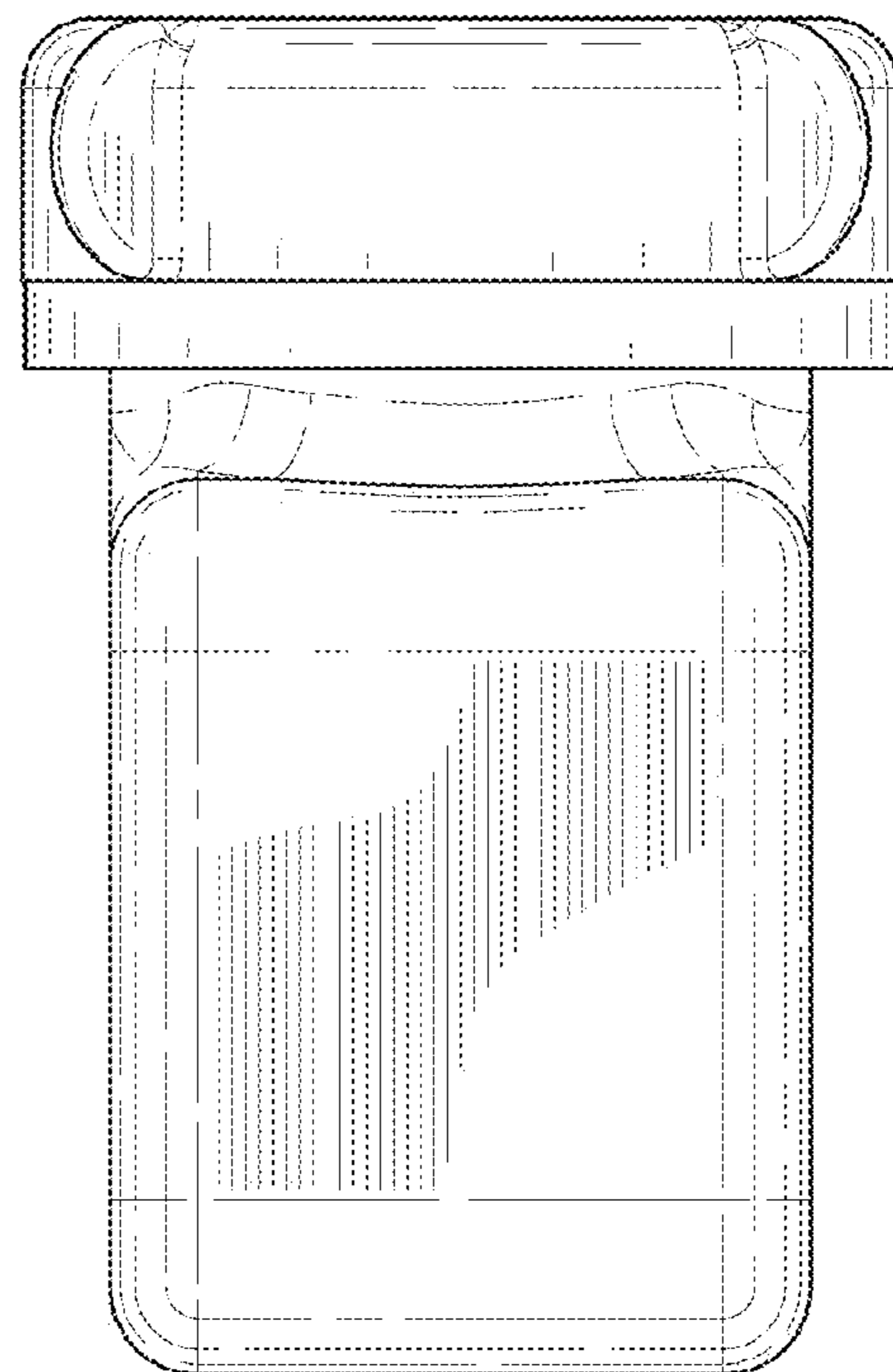


FIG-5

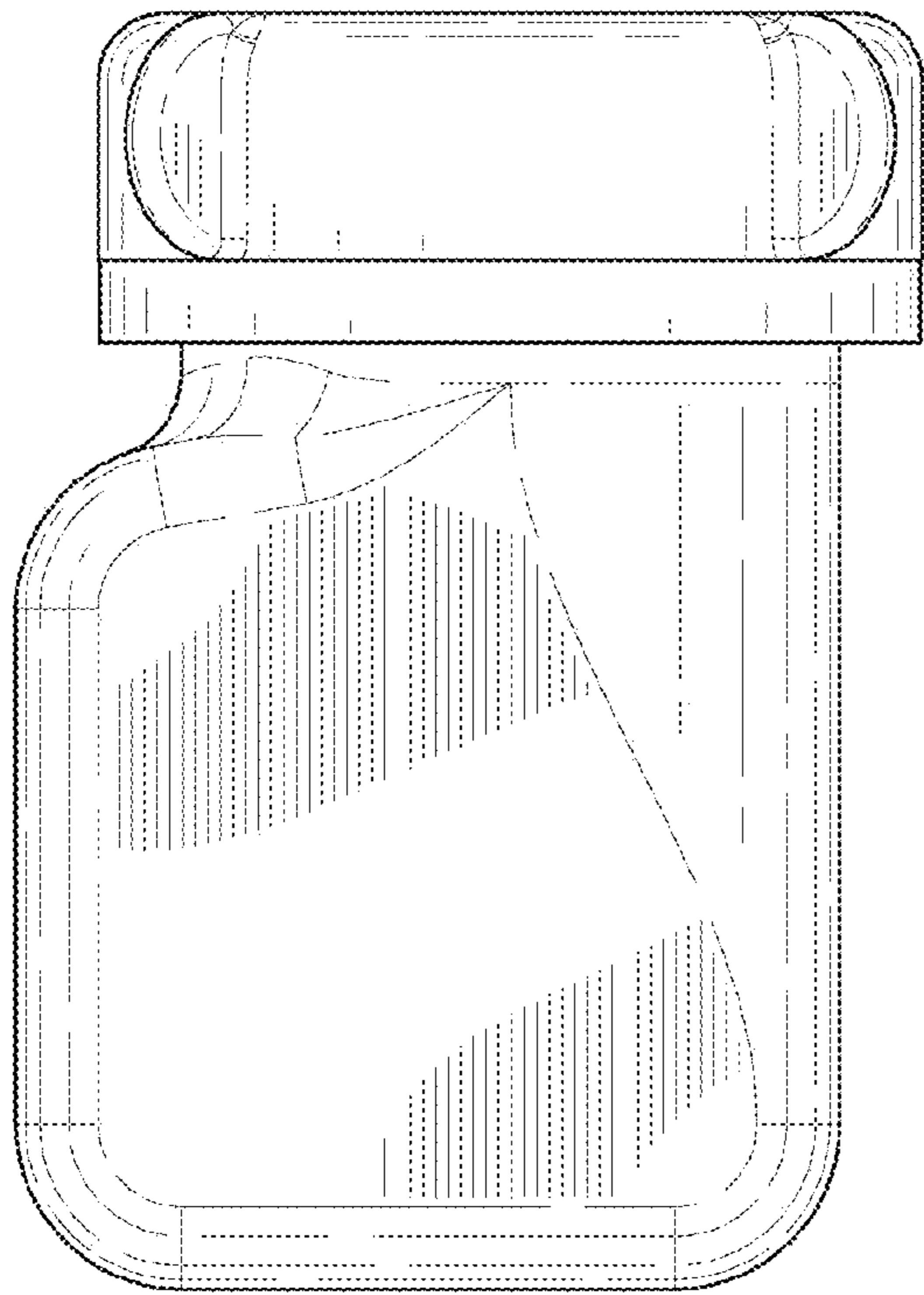


FIG-6

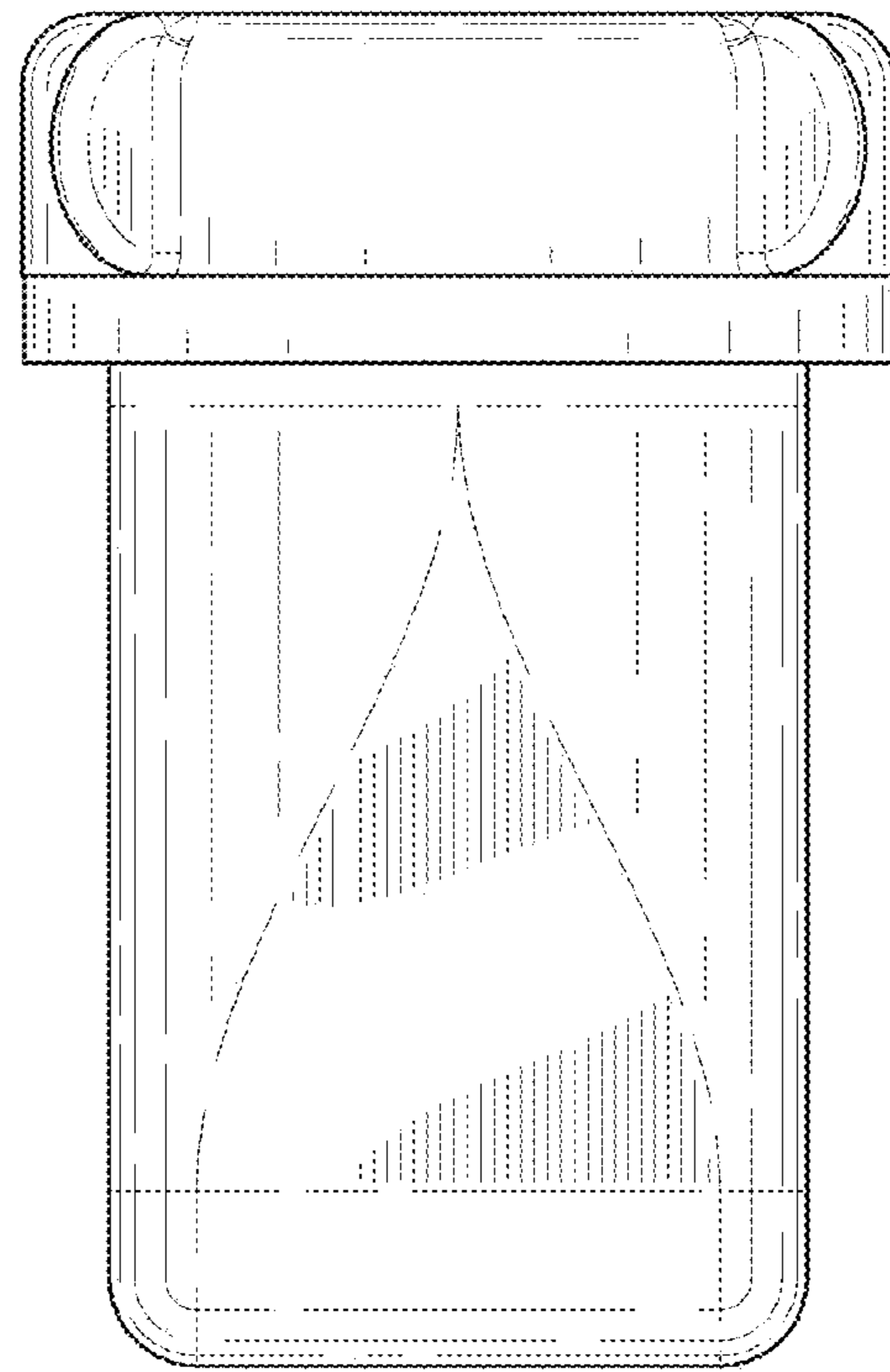


FIG-7

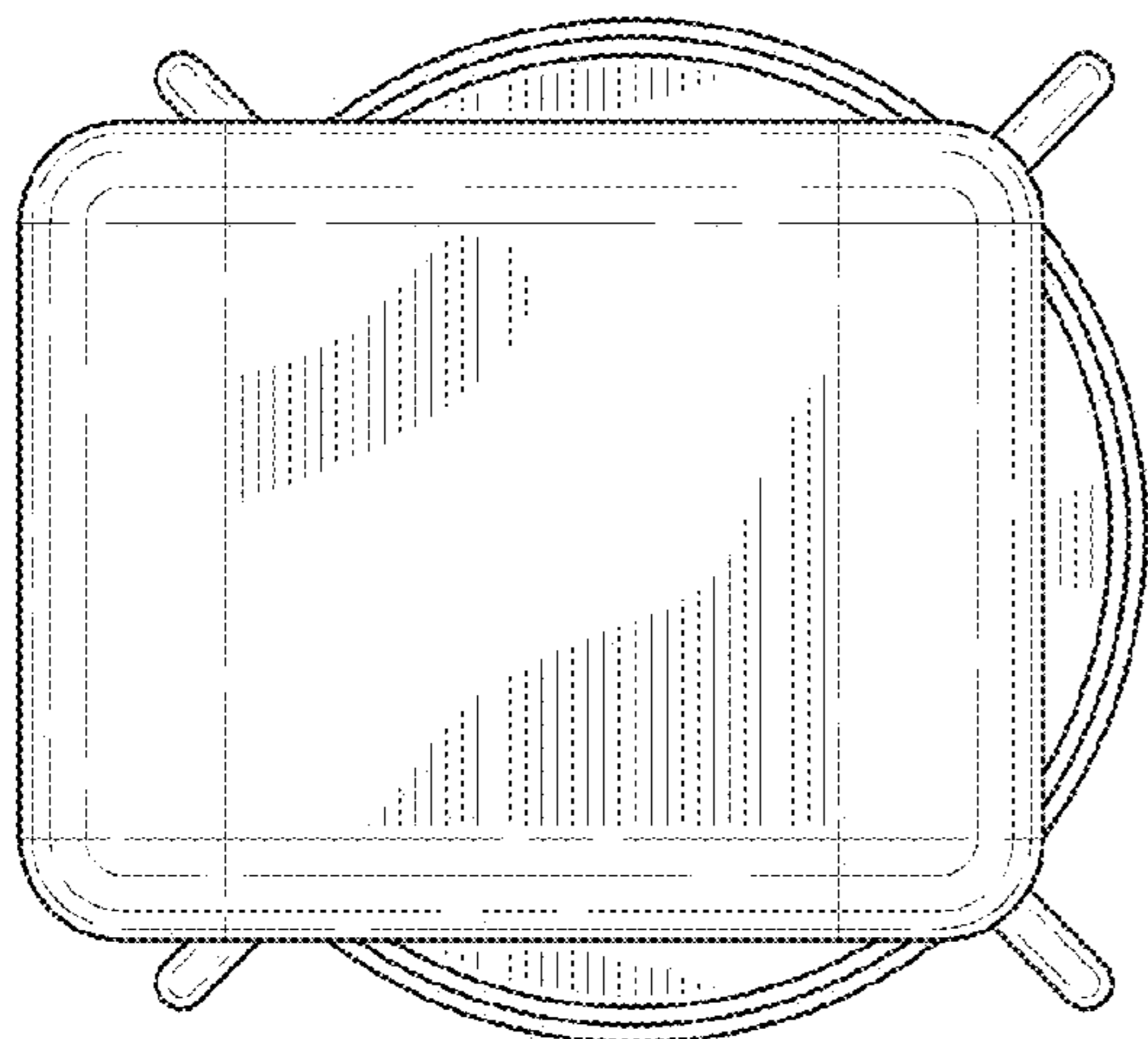


FIG-8

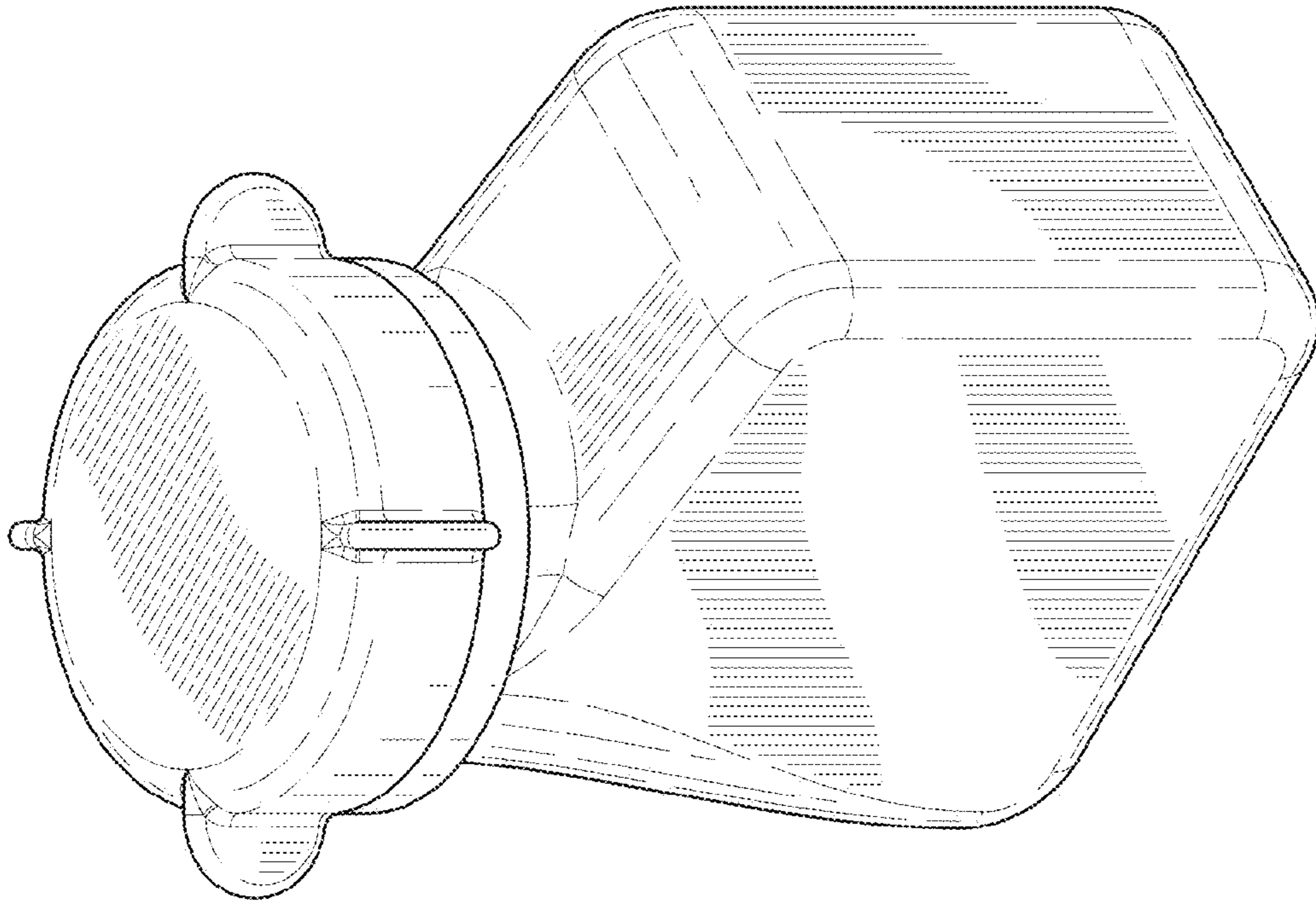


FIG-10

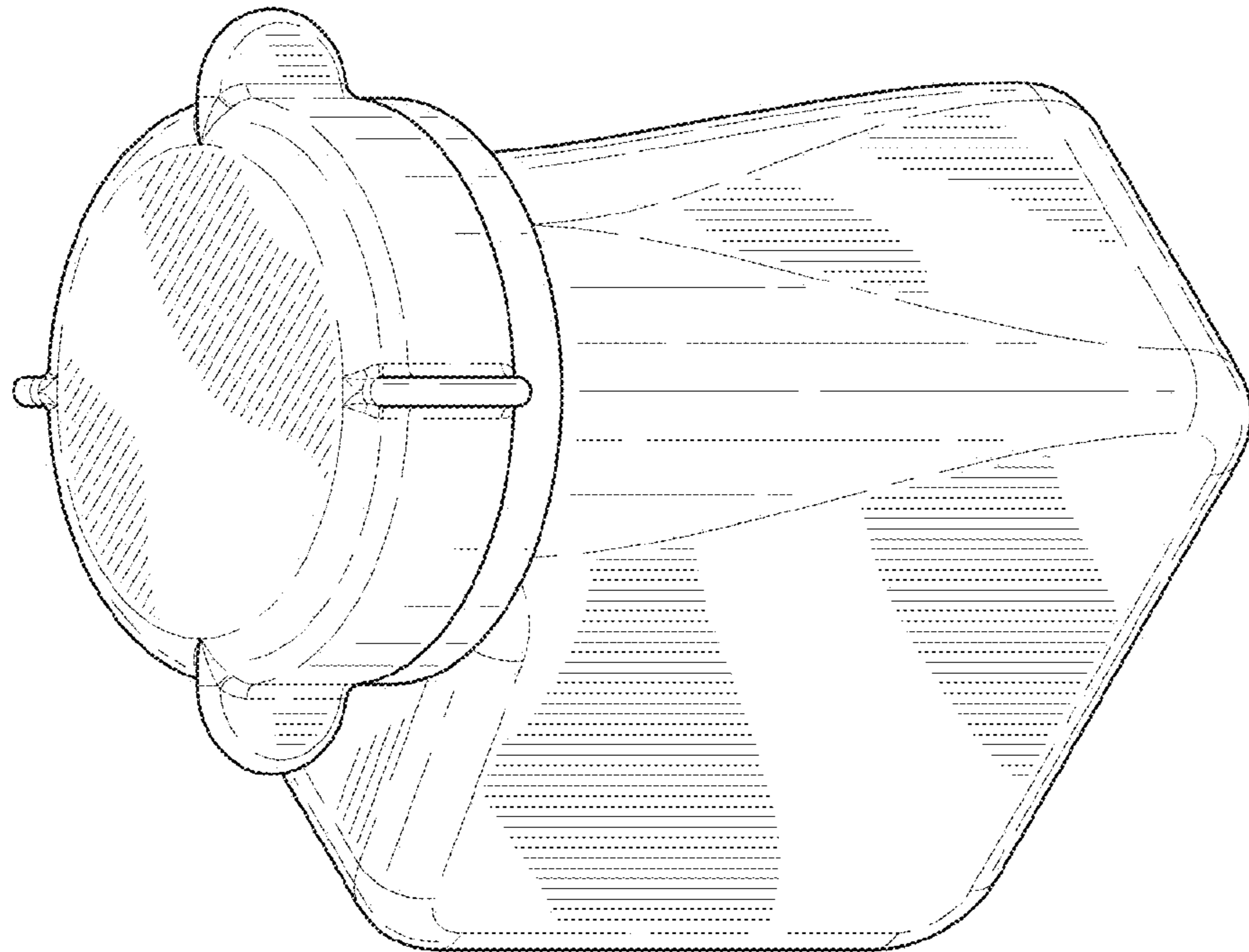


FIG-9

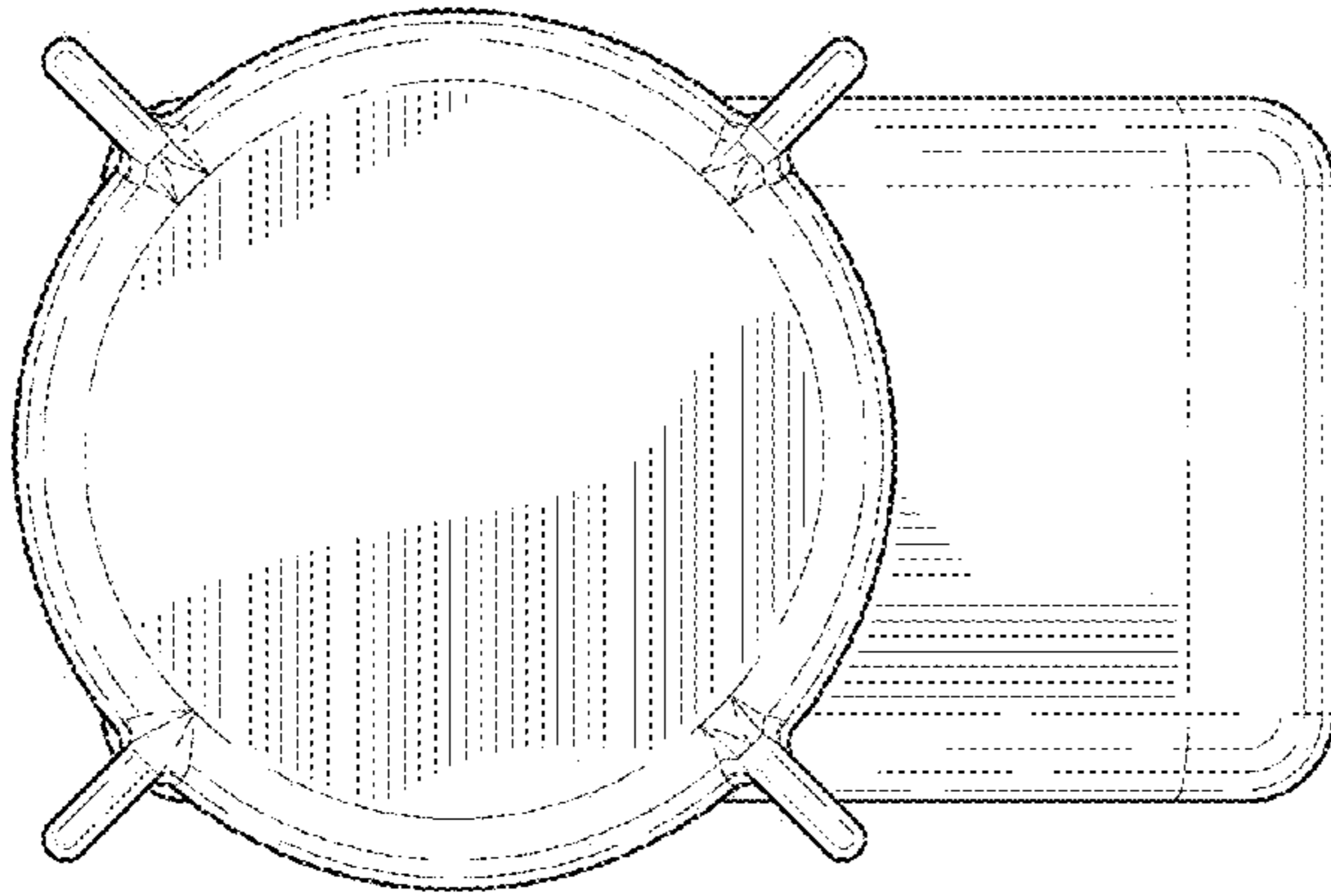


FIG-11

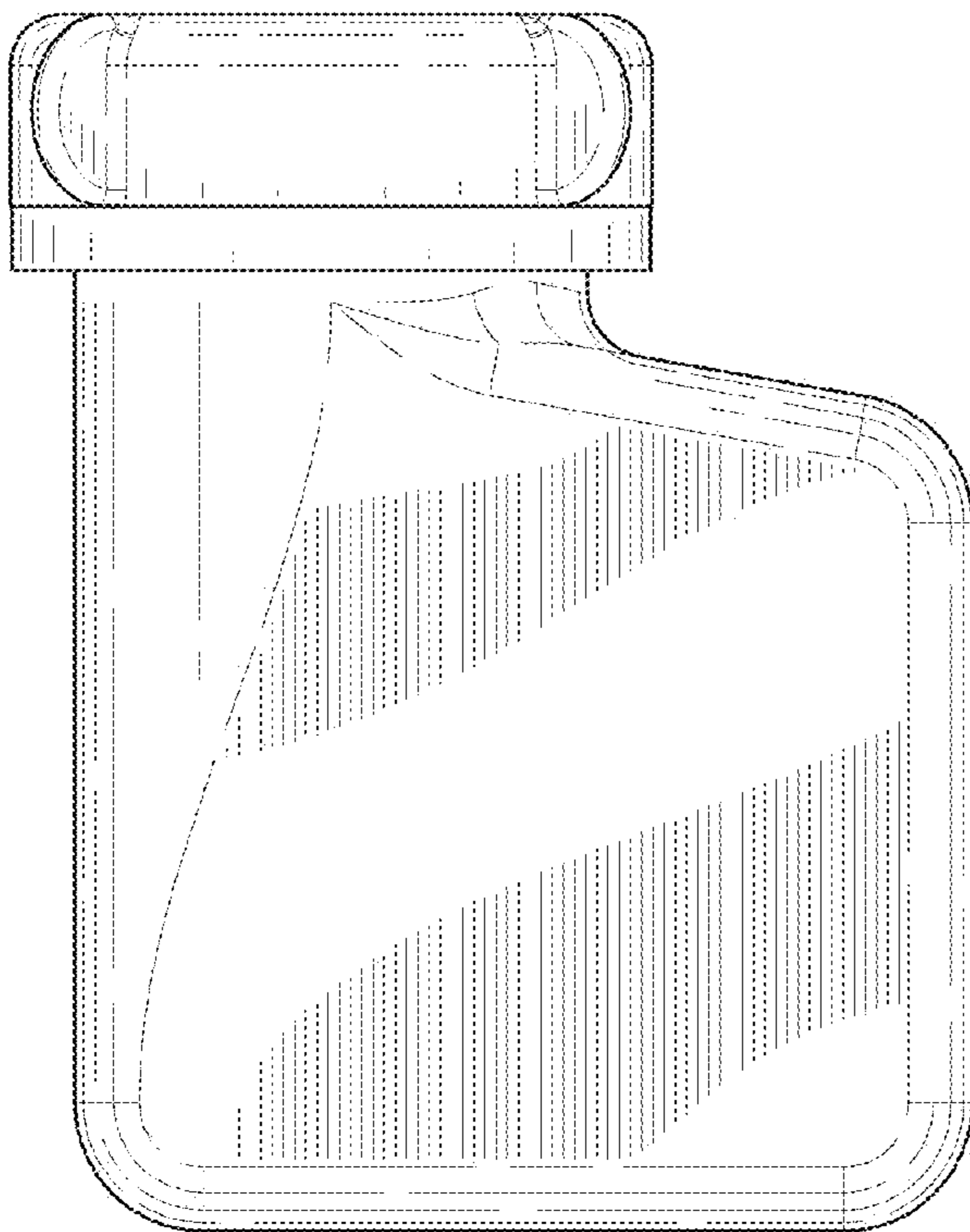


FIG-12

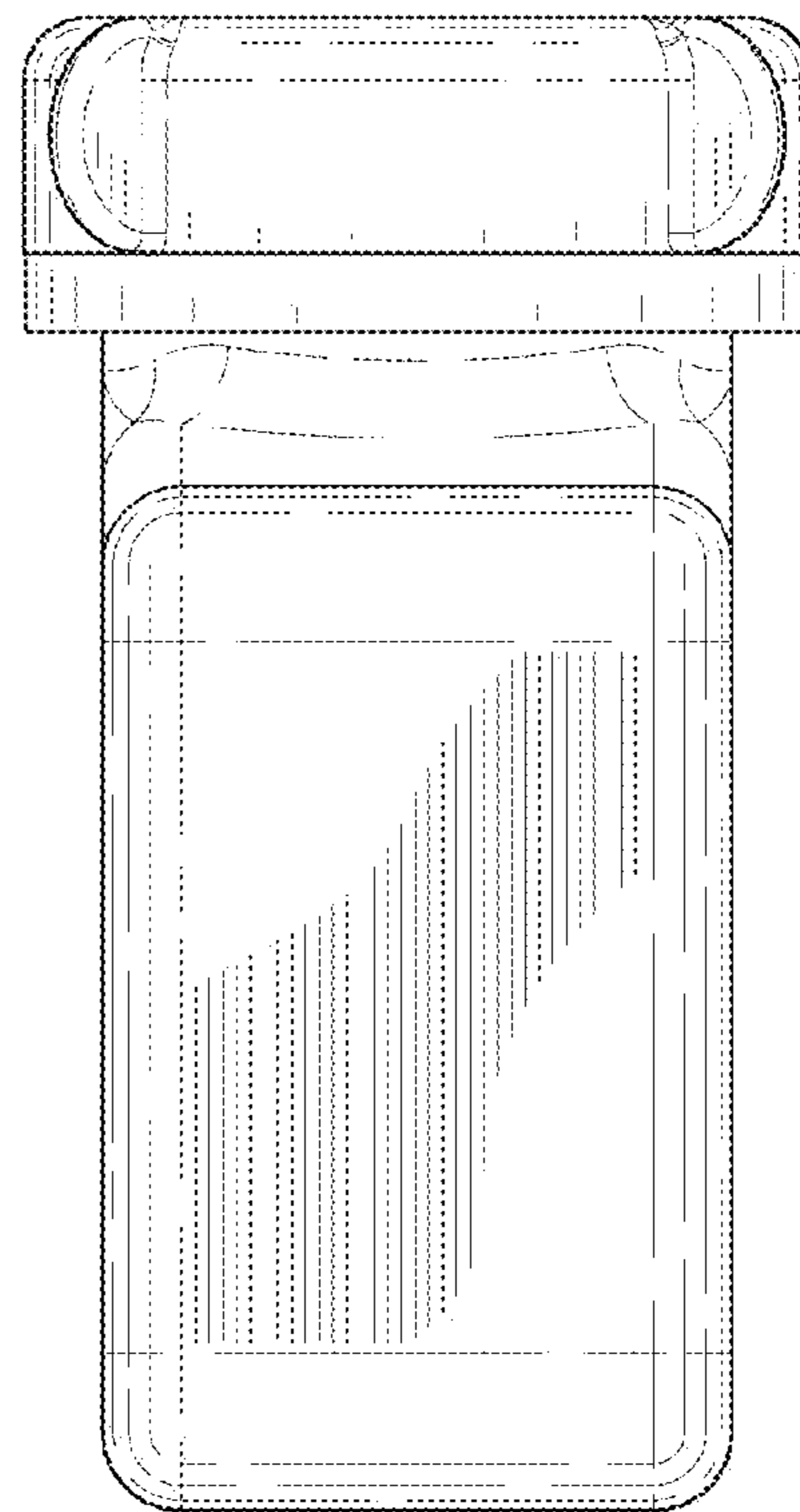


FIG-13

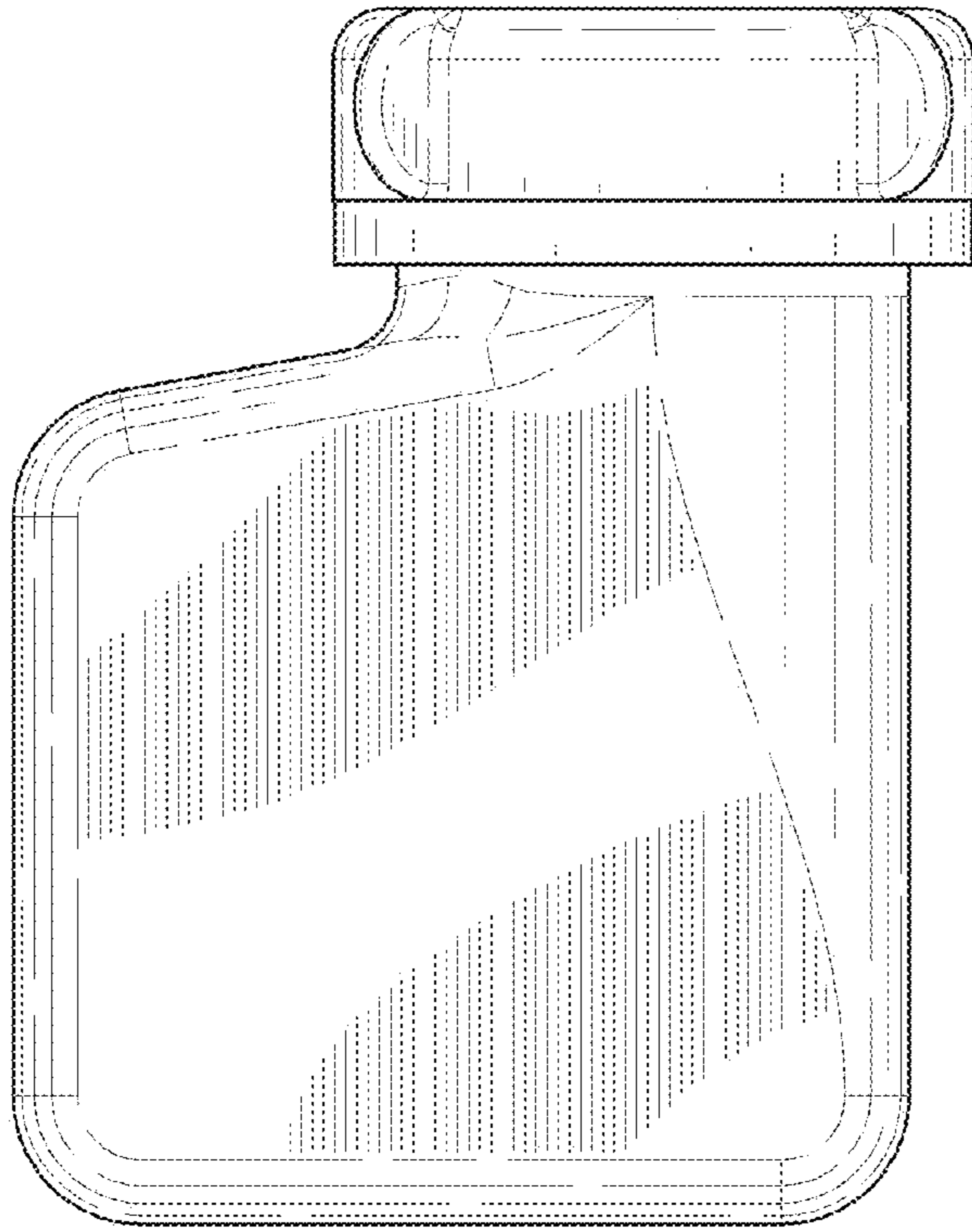


FIG-14

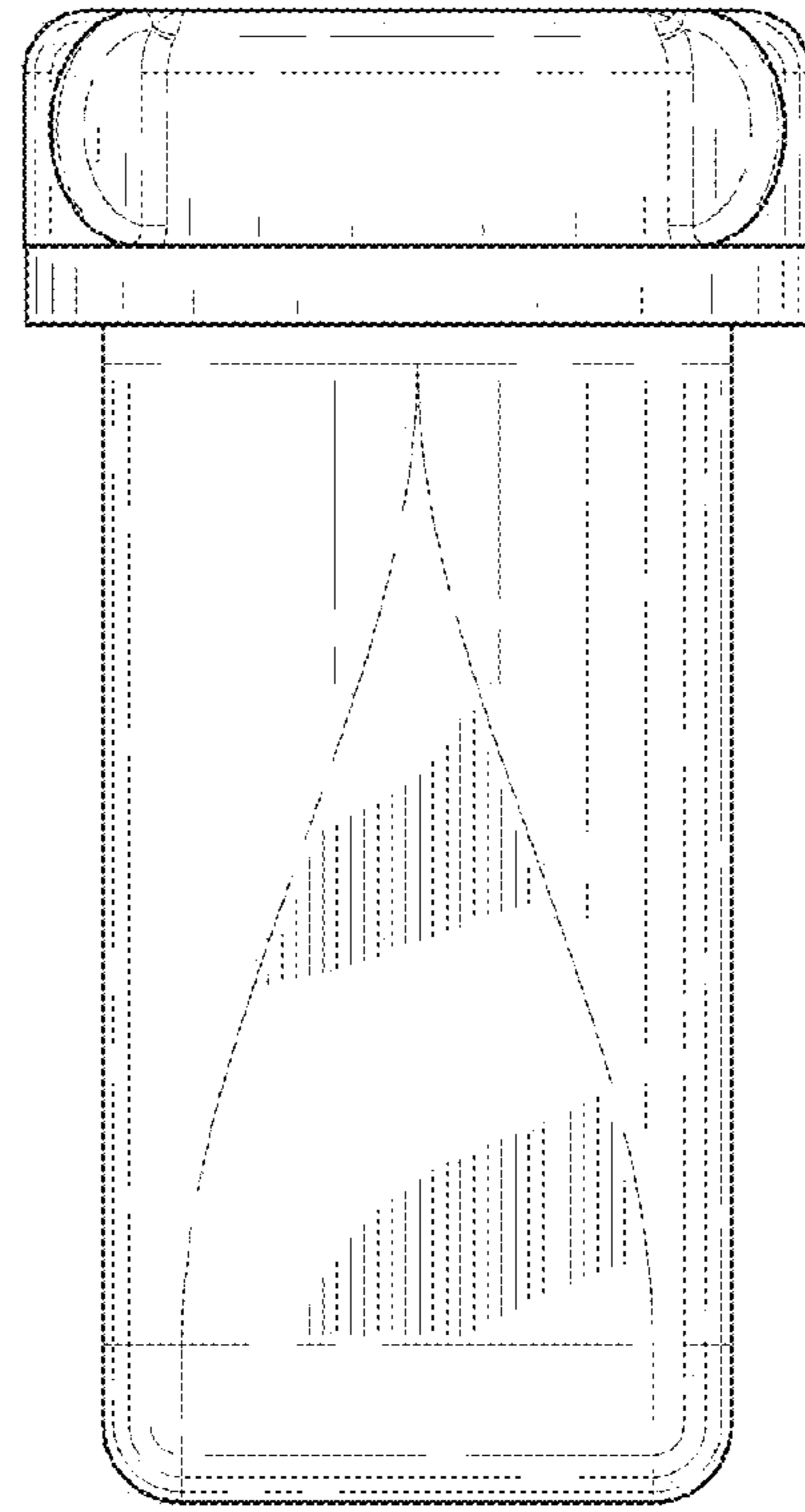


FIG-15

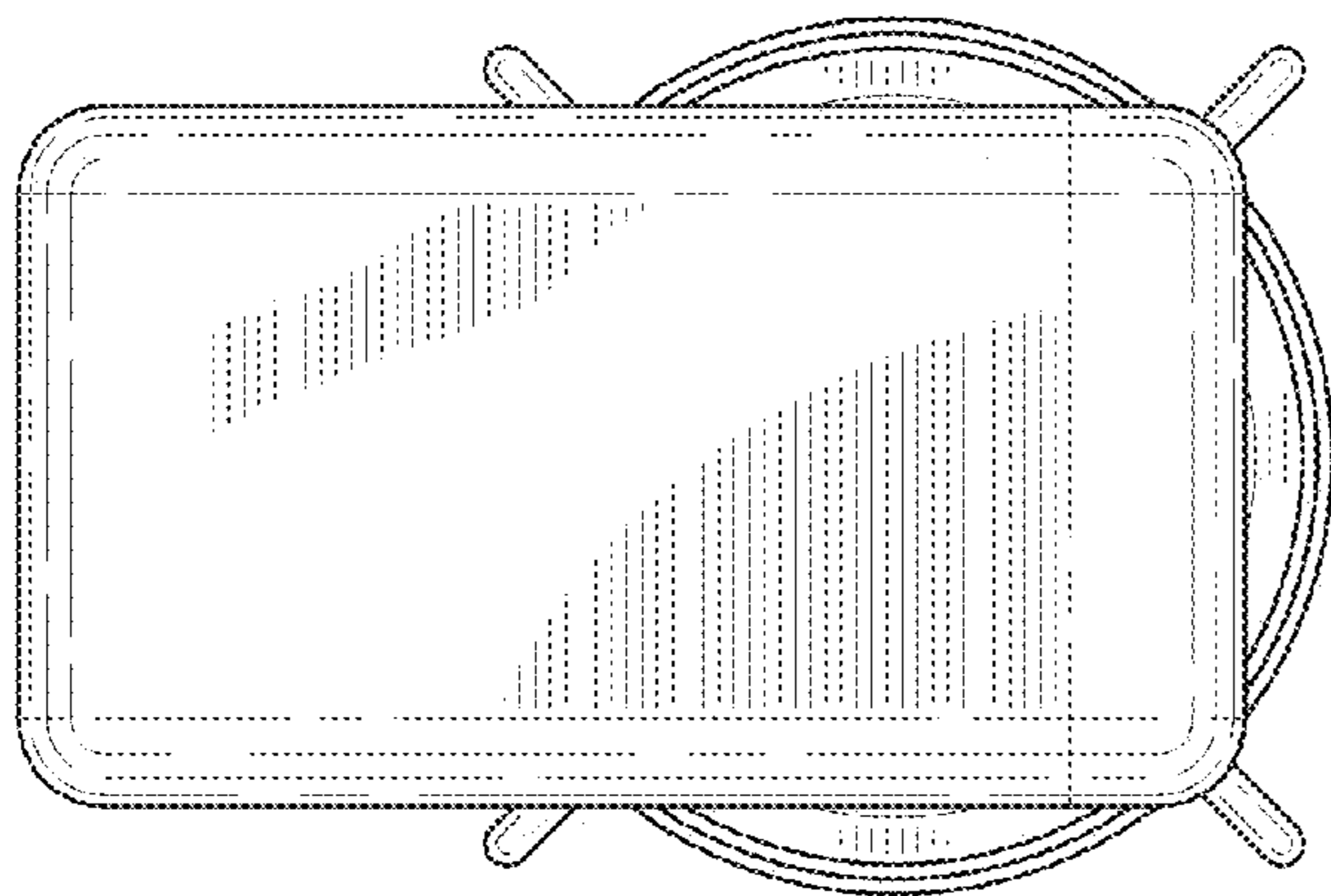


FIG-16