



US00D695510S

(12) **United States Design Patent**  
**Earle**

(10) **Patent No.:** **US D695,510 S**

(45) **Date of Patent:** **\*\* Dec. 17, 2013**

(54) **BOOT ANKLE PANEL**

(75) Inventor: **John S. Earle**, Lake Oswego, OR (US)

(73) Assignee: **Chinook Asia LLC**, Lake Oswego, OR (US)

(\*\*) Term: **14 Years**

(21) Appl. No.: **29/431,351**

(22) Filed: **Sep. 6, 2012**

(51) **LOC (9) Cl.** ..... **02-04**

(52) **U.S. Cl.**  
USPC ..... **D2/970; D2/972**

(58) **Field of Classification Search**  
USPC ..... D2/896, 902, 906-908, 943, 944, 946,  
D2/969, 970, 972-977; 36/45, 113-114,  
36/7.1 R, 34 R, 73  
See application file for complete search history.

(56) **References Cited**

U.S. PATENT DOCUMENTS

D570,078 S *	6/2008	Davis	.....	D2/953
D574,603 S *	8/2008	McMillan	.....	D2/977
D652,201 S *	1/2012	Vestuti et al.	.....	D2/946
D661,878 S *	6/2012	Grenet	.....	D2/946
D663,108 S *	7/2012	Pulli	.....	D2/947
D674,581 S *	1/2013	Callahan et al.	.....	D2/947

2007/0209230 A1 *	9/2007	Dillon et al.	.....	36/25 R
2010/0175280 A1 *	7/2010	Rinehart et al.	.....	36/59 C
2011/0016749 A1 *	1/2011	Callahan et al.	.....	36/103

\* cited by examiner

*Primary Examiner* — Robert M Spear

*Assistant Examiner* — Rashida C McCoy

(74) *Attorney, Agent, or Firm* — Chernoff Vilhauer LLP

(57) **CLAIM**

The ornamental design for a boot ankle panel, as shown and described.

**DESCRIPTION**

FIG. 1 is first side elevational view of a boot ankle panel embodying my new design.

FIG. 2 is the opposite side elevational view thereof;

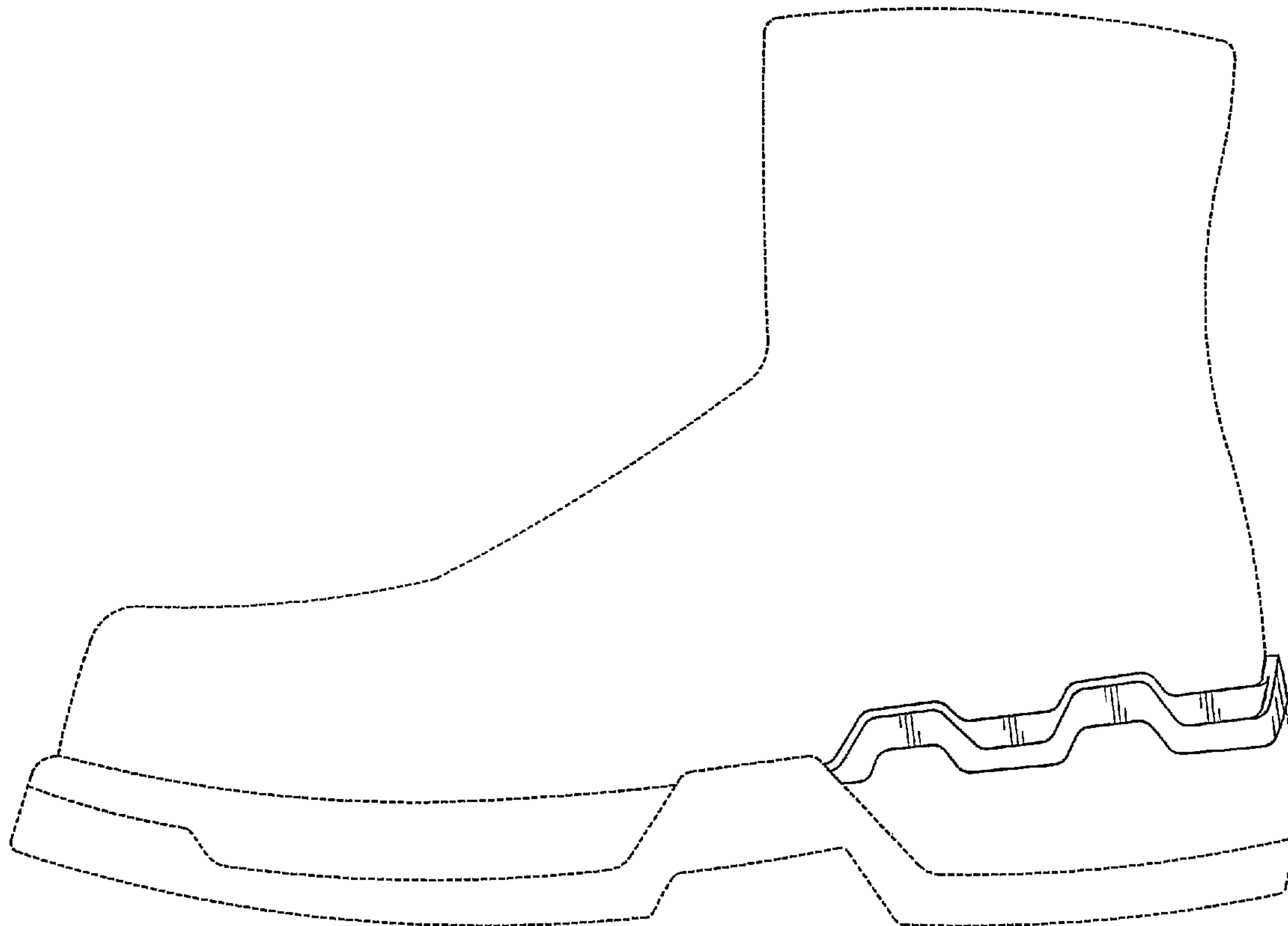
FIG. 3 is a rear elevational view thereof;

FIG. 4 is a perspective view thereof looking from above and the rear on the first side; and,

FIG. 5 is a perspective view thereof looking from above and the rear on the opposite side.

The outline of a boot in broken lines shows the environment in which the panel of the claimed design is located and forms no part of the claimed design.

**1 Claim, 5 Drawing Sheets**



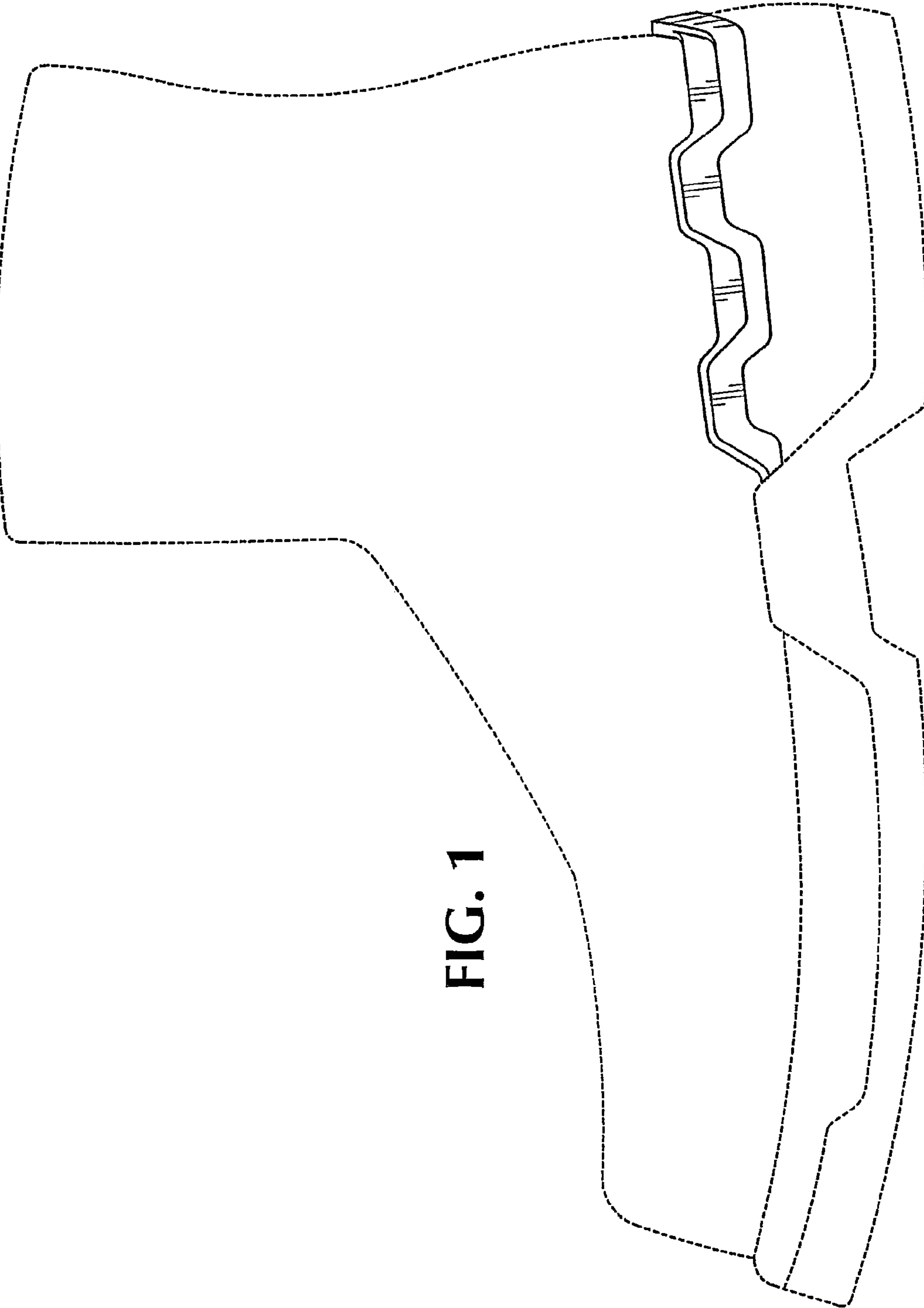


FIG. 1

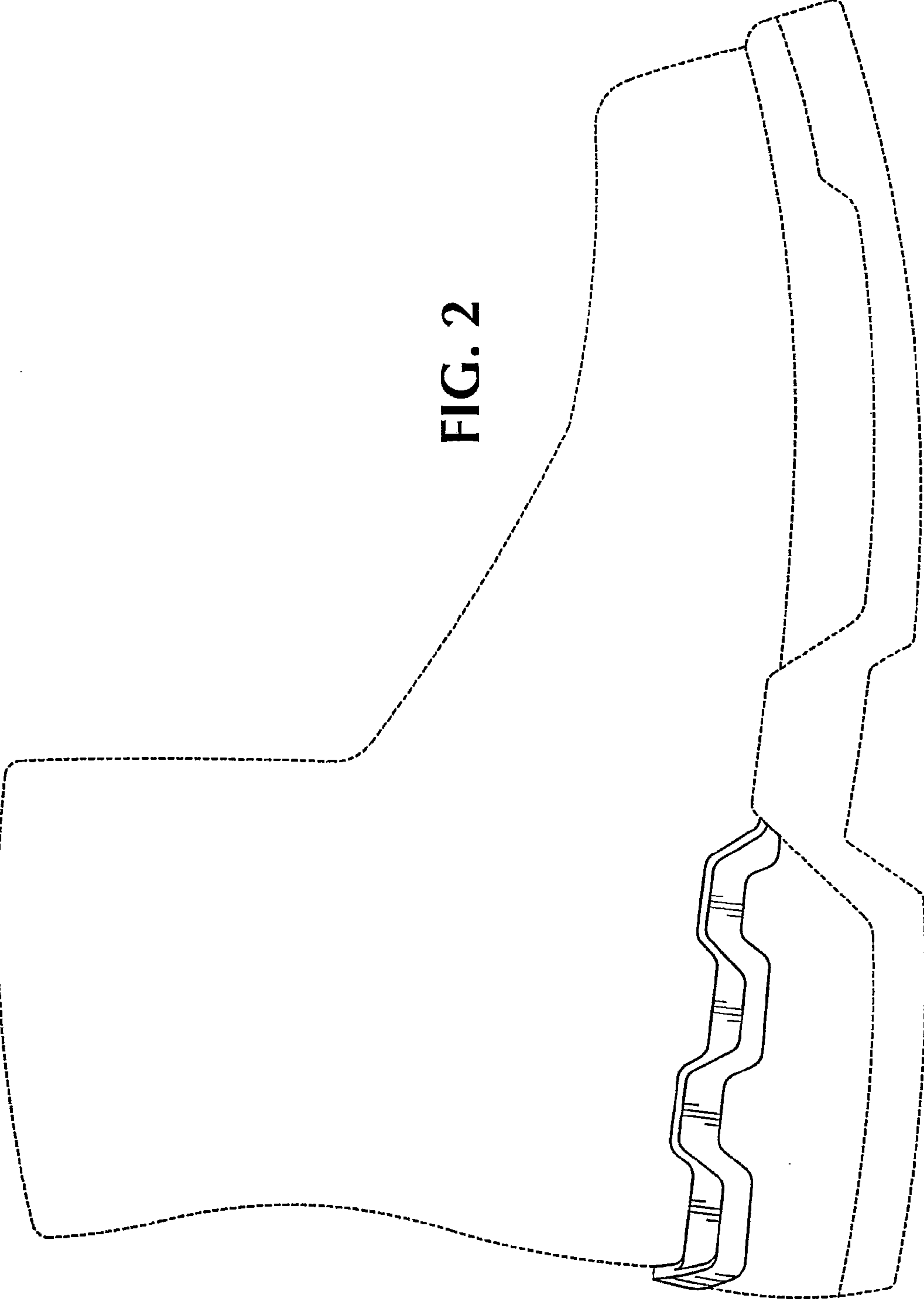


FIG. 2

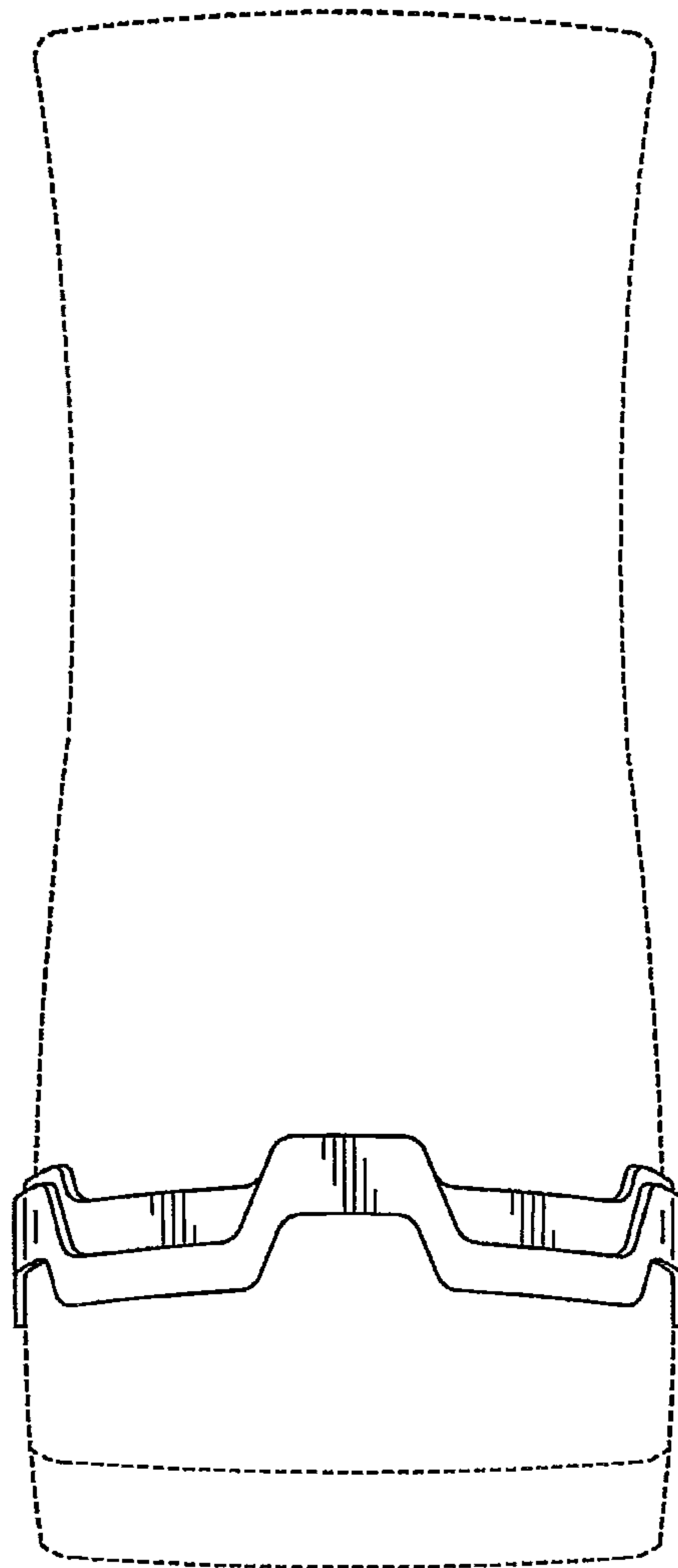


FIG. 3

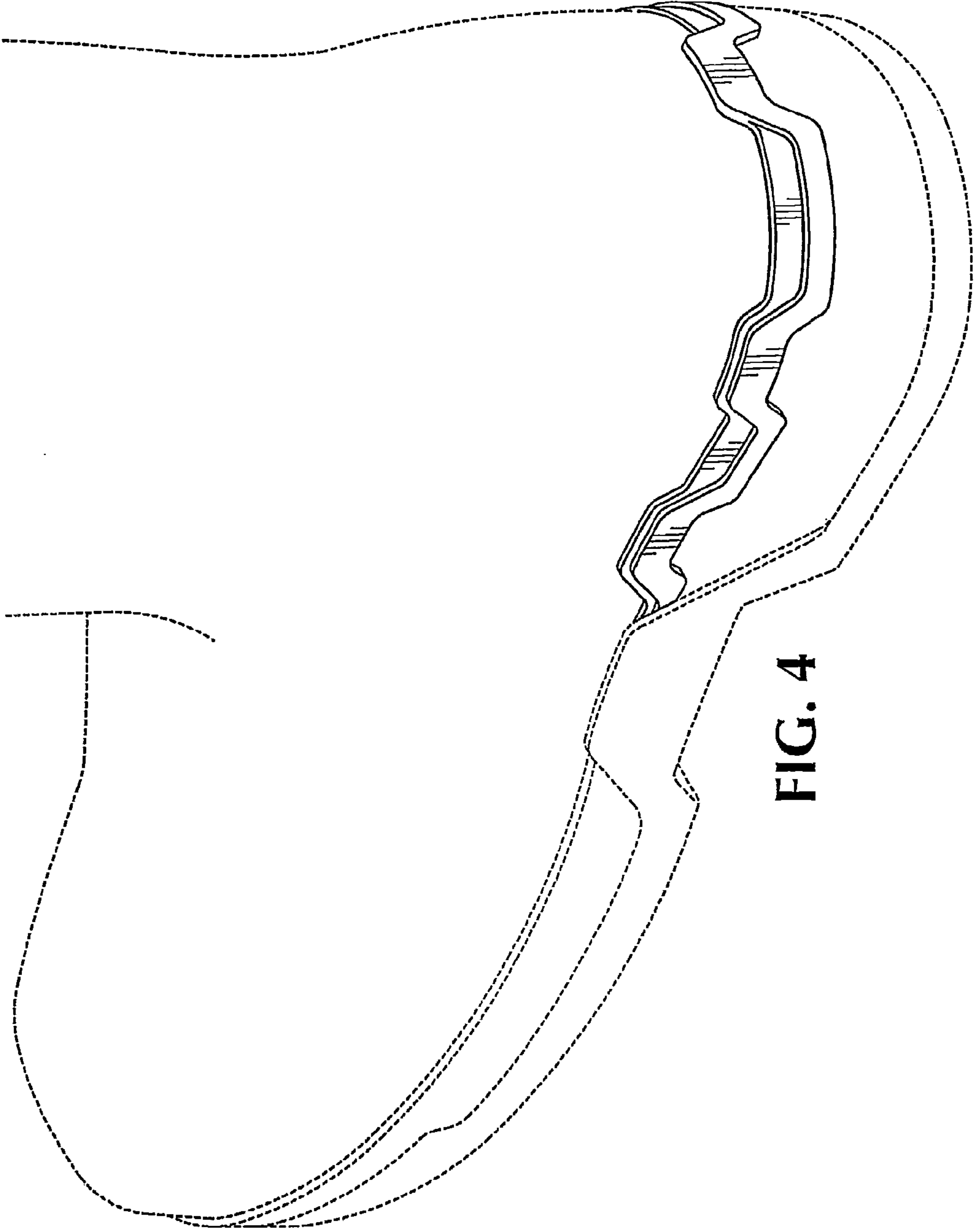


FIG. 4

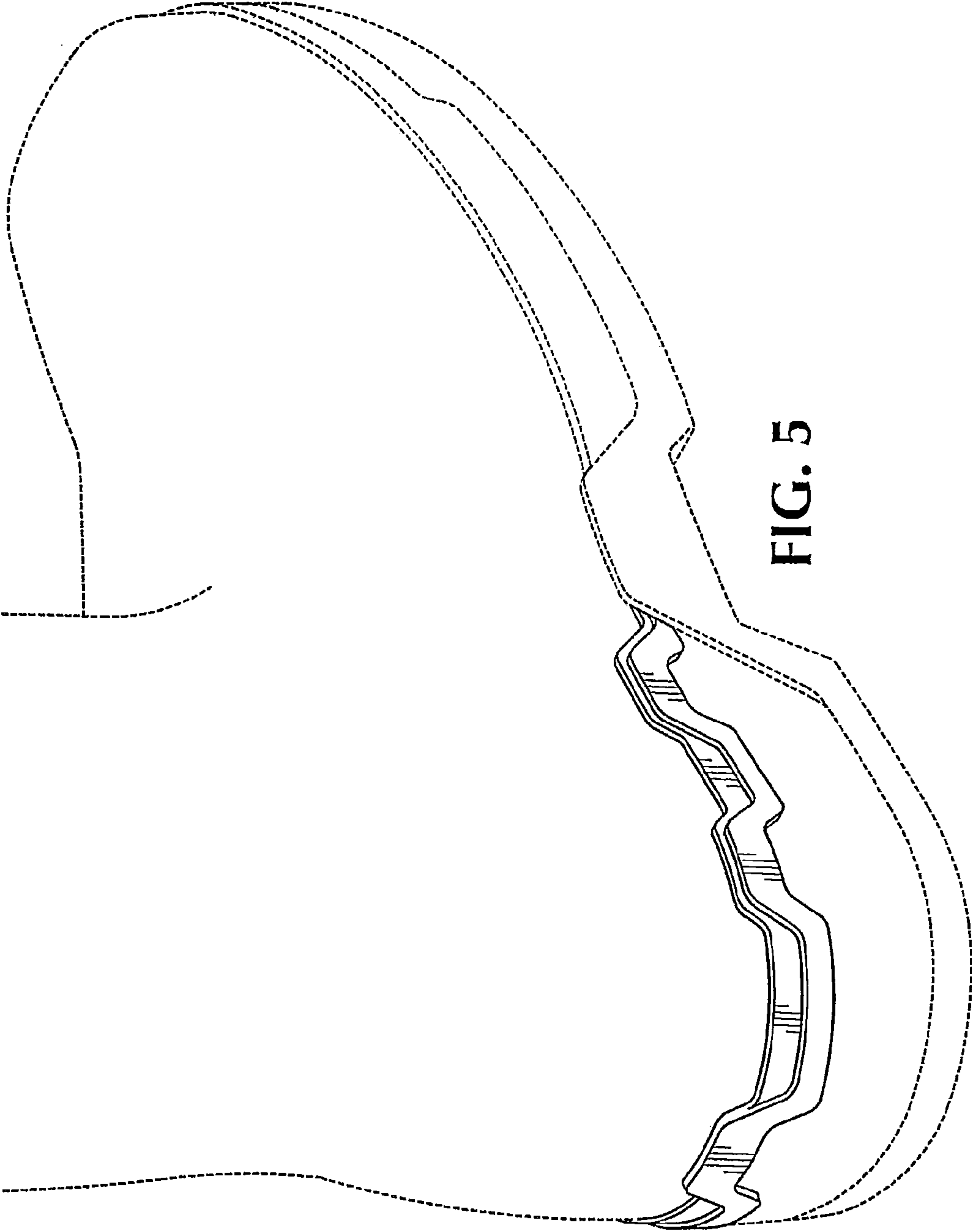


FIG. 5