

US00D695484S

(12) **United States Design Patent**  
**Powell**

(10) **Patent No.:** **US D695,484 S**  
(45) **Date of Patent:** **\*\* Dec. 10, 2013**

(54) **GOLF TROLLEY**  
(71) Applicant: **Mike Powell**, Lancashire (GB)  
(72) Inventor: **Mike Powell**, Lancashire (GB)  
(\*\*) Term: **14 Years**  
(21) Appl. No.: **29/435,988**  
(22) Filed: **Oct. 31, 2012**

5,478,097	A *	12/1995	Forma	280/47.26
6,050,592	A *	4/2000	Kim	280/652
6,056,301	A *	5/2000	Berliner et al.	280/43.1
6,659,477	B2 *	12/2003	Jung	280/47.26
D488,606	S *	4/2004	Scholz	D34/15
D522,706	S *	6/2006	Stewart et al.	D34/15
7,080,732	B2 *	7/2006	Bonfanti	206/315.3
D613,504	S *	4/2010	Baghdadi	D3/274
D632,448	S *	2/2011	Simko et al.	D34/12
7,934,729	B2 *	5/2011	Murphy et al.	280/47.26
2003/0146602	A1 *	8/2003	Lu	280/655

\* cited by examiner

(30) **Foreign Application Priority Data**

May 4, 2012 (EM) ..... 2037564

(51) **LOC (9) Cl.** ..... **12-13**  
(52) **U.S. Cl.**  
USPC ..... **D34/15**

(58) **Field of Classification Search**  
USPC ..... D34/12-27; 280/47.19, DIG. 5, DIG. 6,  
280/47.26, 30, 79.5, 645; 206/315.2, 315.3;  
224/510; D3/221  
See application file for complete search history.

(56) **References Cited**

**U.S. PATENT DOCUMENTS**

D301,789	S *	6/1989	Tomoda	D34/15
5,112,068	A *	5/1992	Liao et al.	280/30
5,167,389	A *	12/1992	Reimers	248/96

*Primary Examiner* — Cynthia Ramirez

(74) *Attorney, Agent, or Firm* — Barlow, Josephs & Holmes, Ltd.

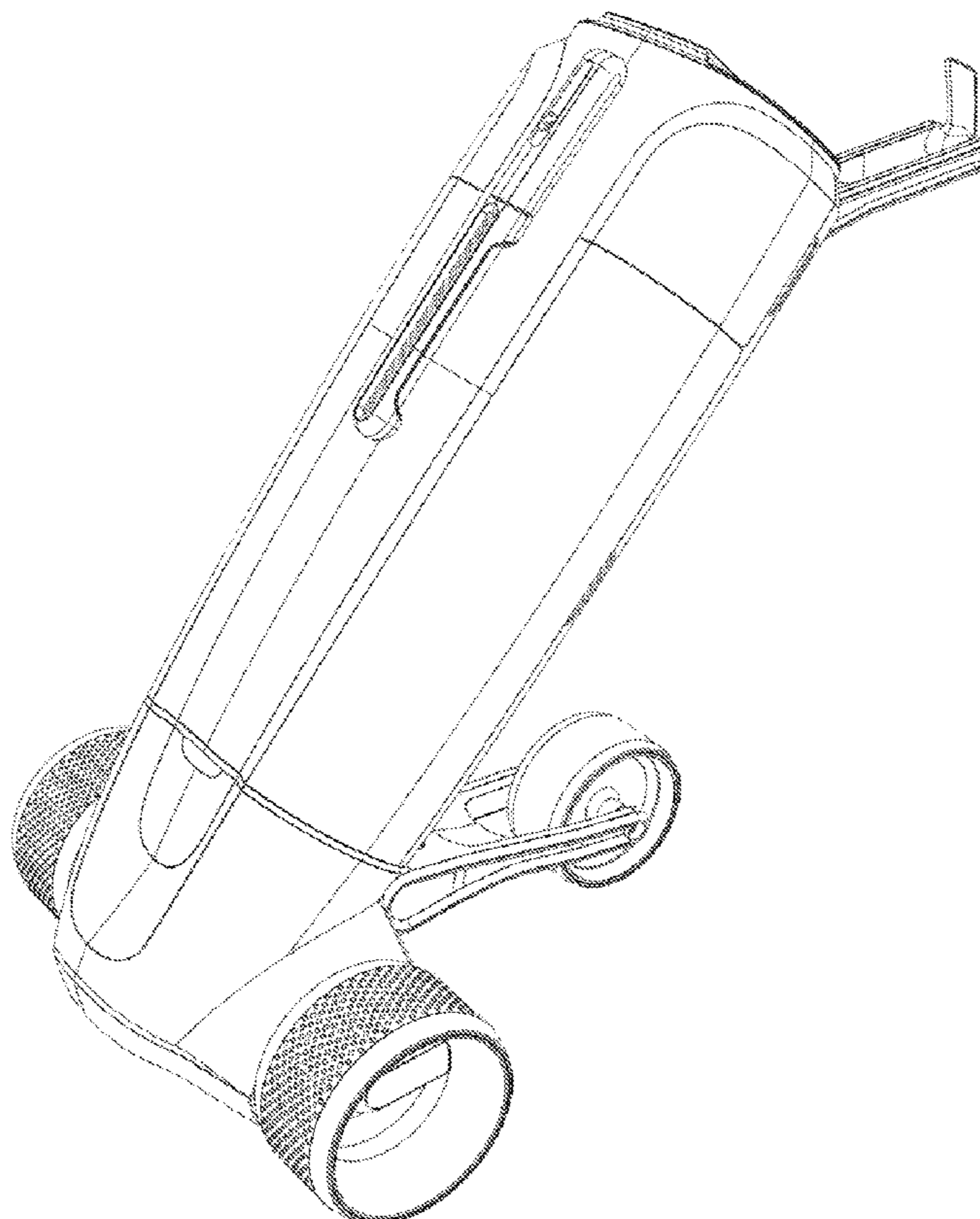
(57) **CLAIM**

The ornamental design for a golf trolley, as shown and described.

**DESCRIPTION**

FIG. 1 is a front perspective view of a golf trolley in accordance with the present design;  
FIG. 2 is a rear perspective view thereof;  
FIG. 3 is a side view thereof;  
FIG. 4 is a front view thereof;  
FIG. 5 is a rear view thereof;  
FIG. 6 is an exploded front perspective view thereof; and,  
FIG. 7 is an exploded rear perspective view thereof.

**1 Claim, 7 Drawing Sheets**



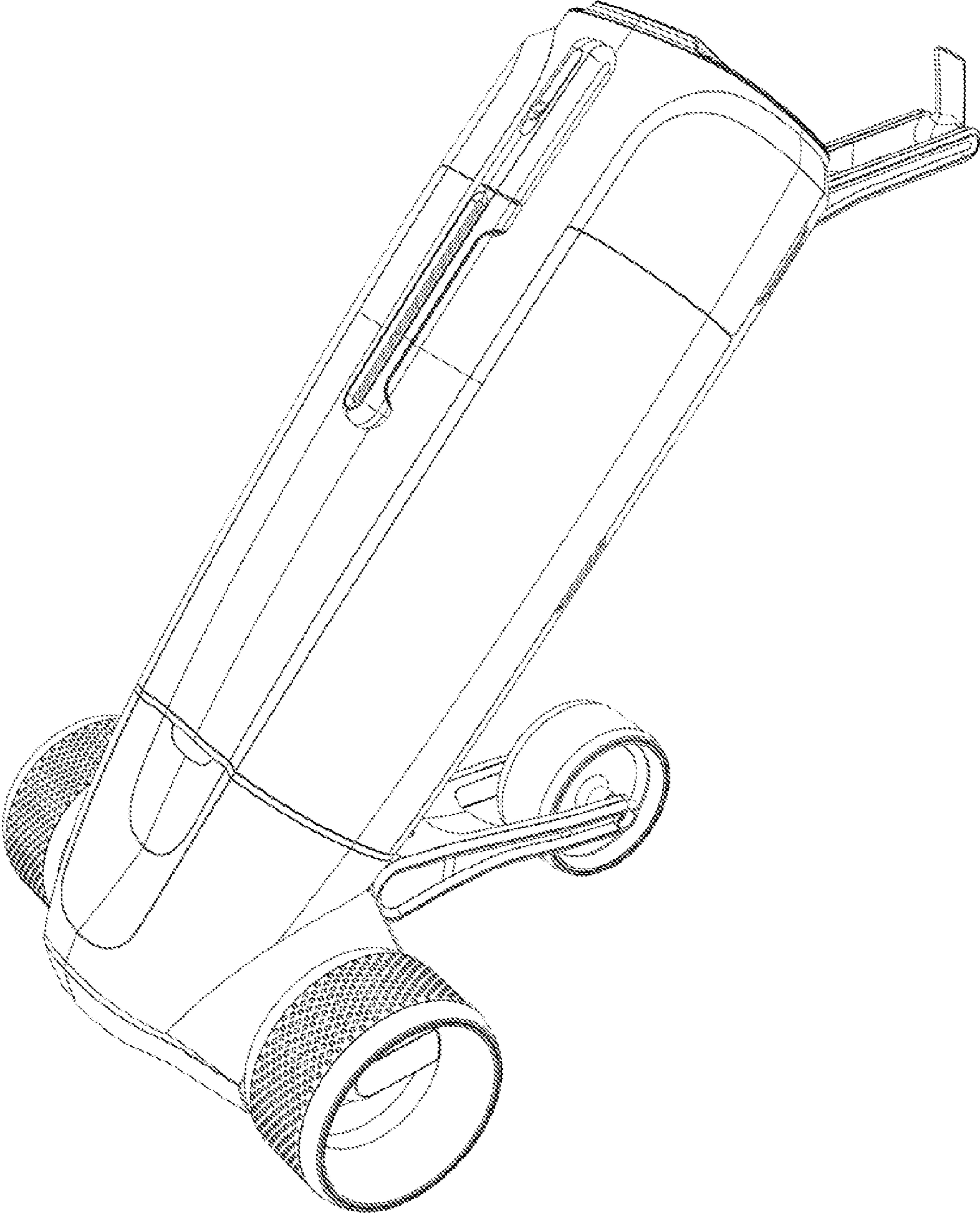


FIG. 1

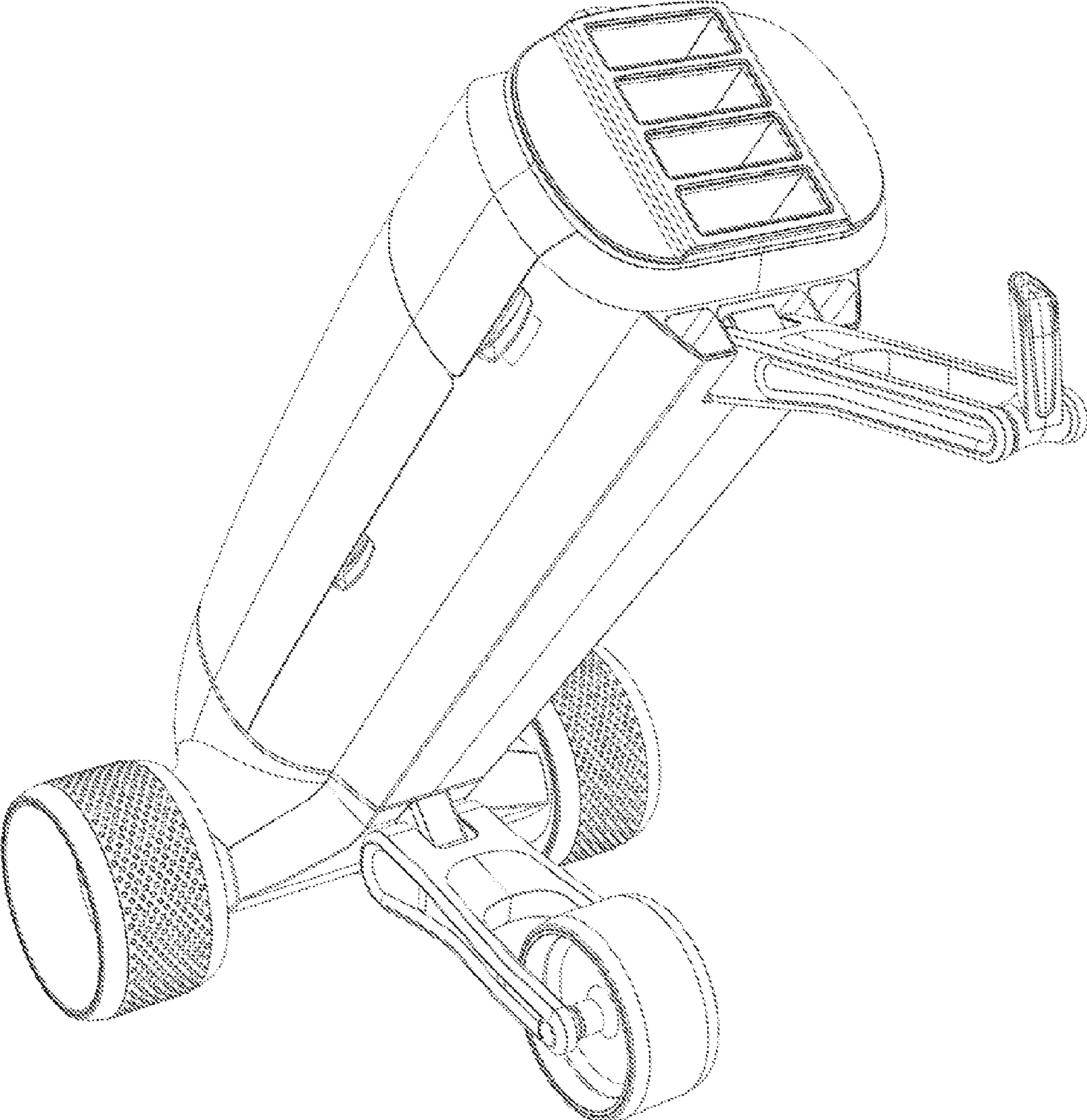


FIG. 2

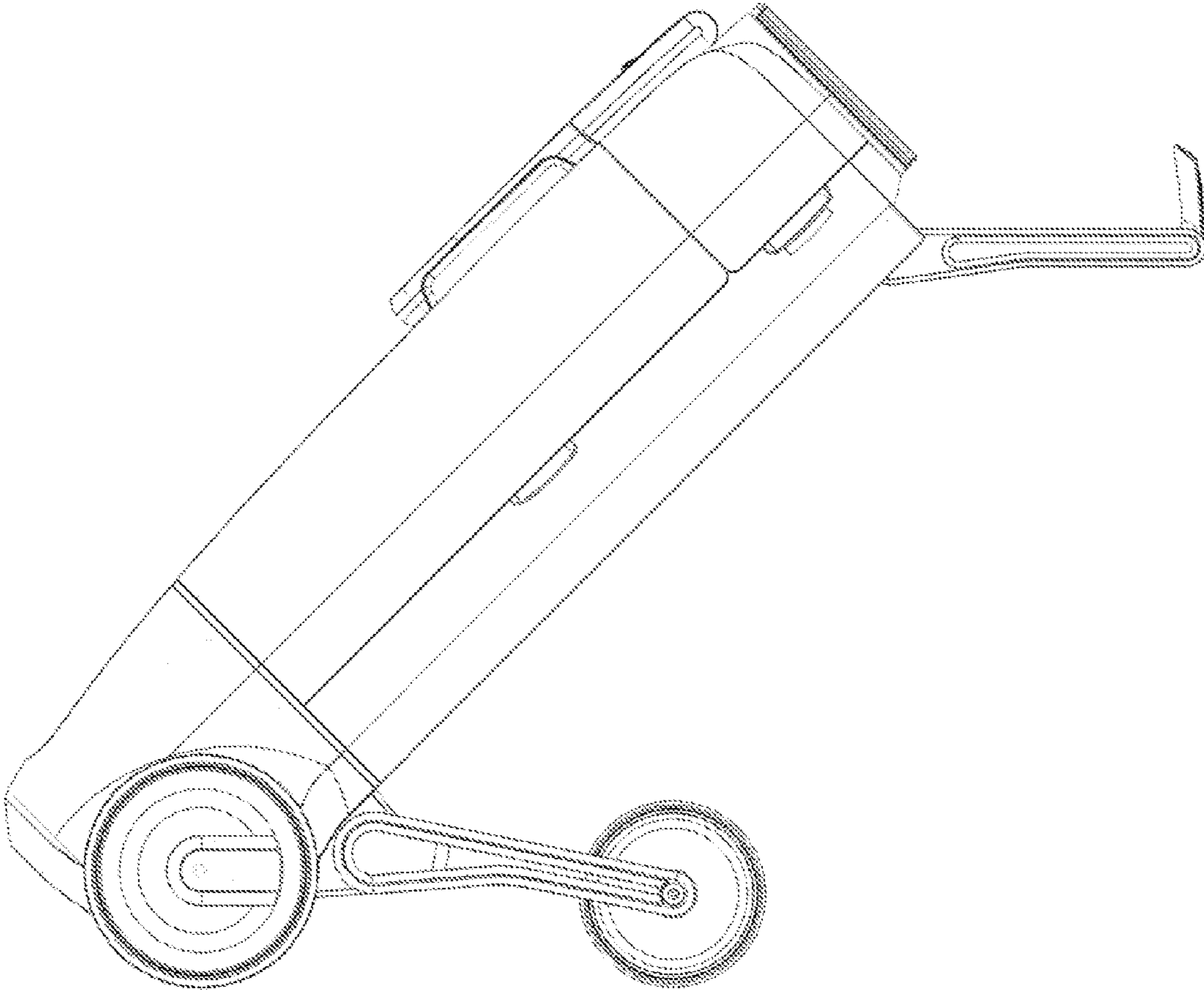


FIG. 3

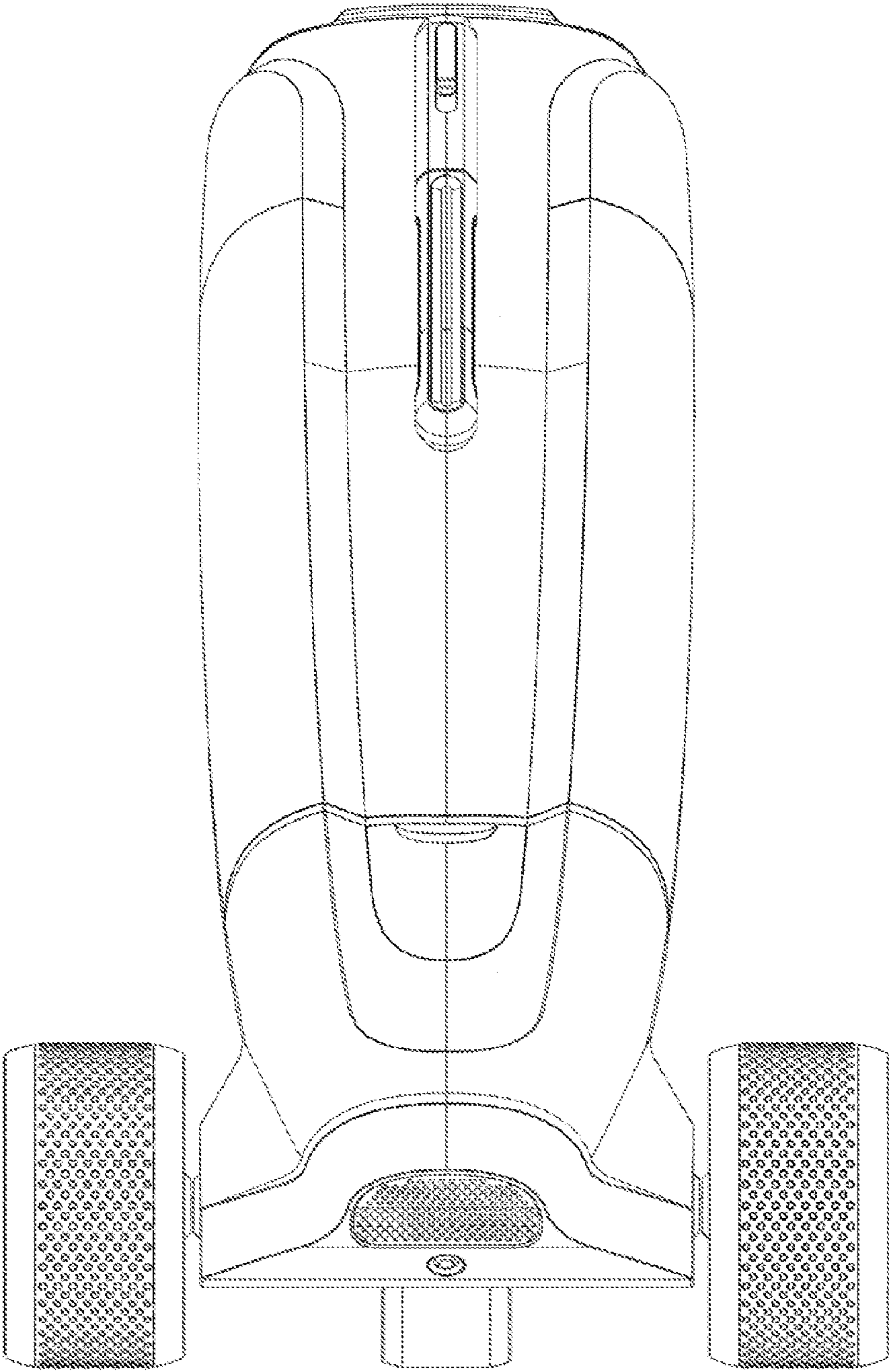


FIG. 4

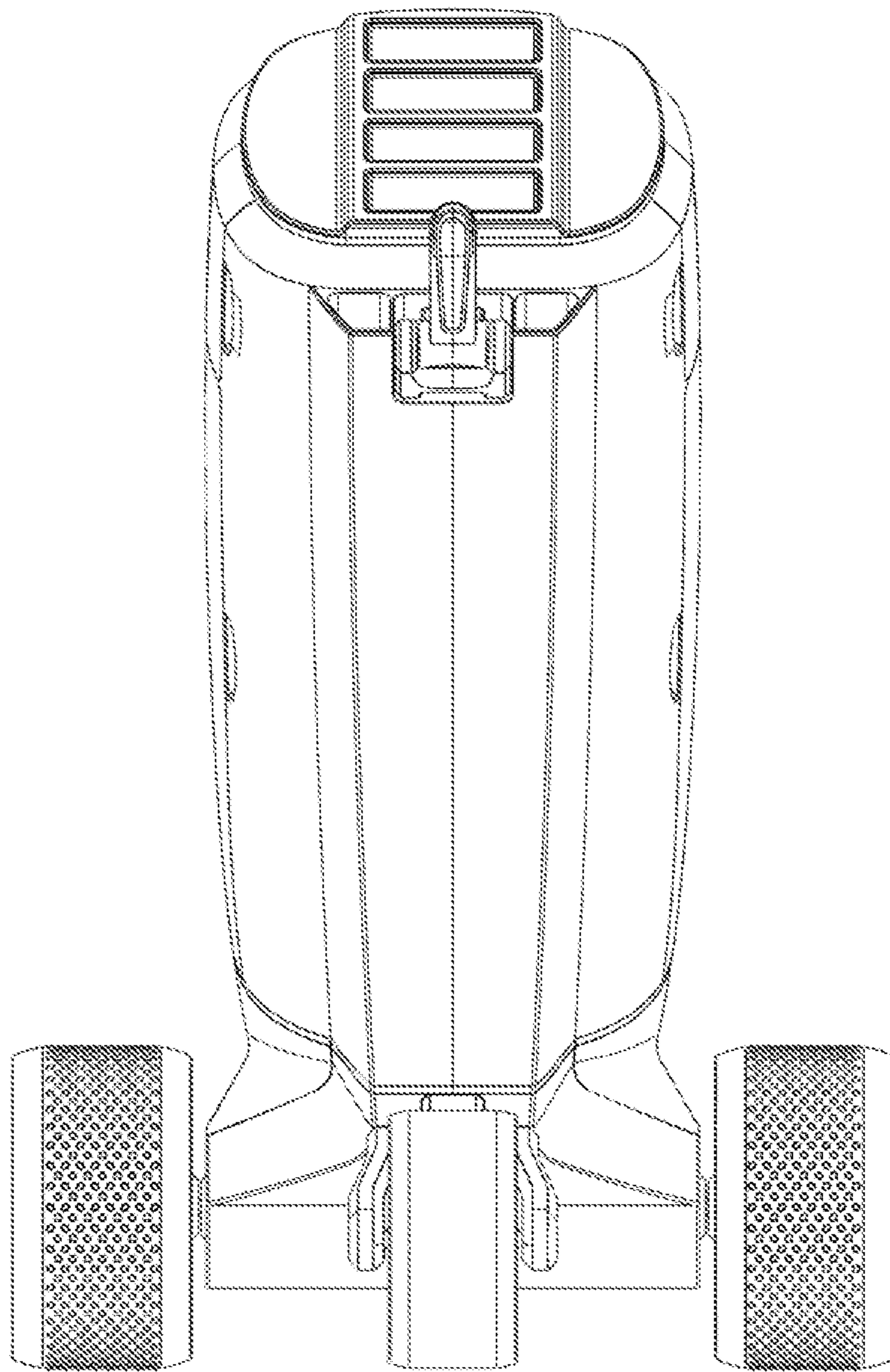


FIG. 5

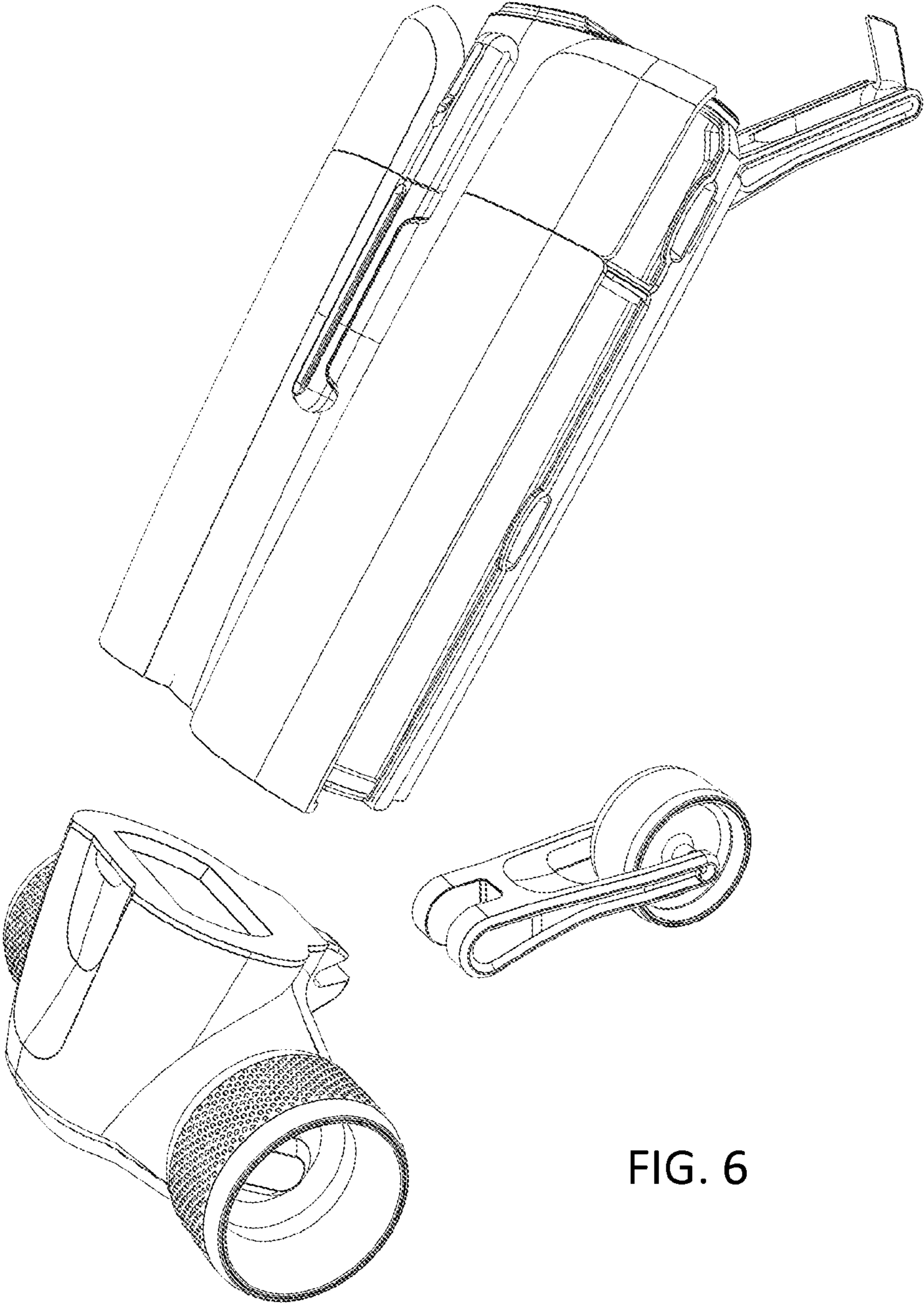


FIG. 6

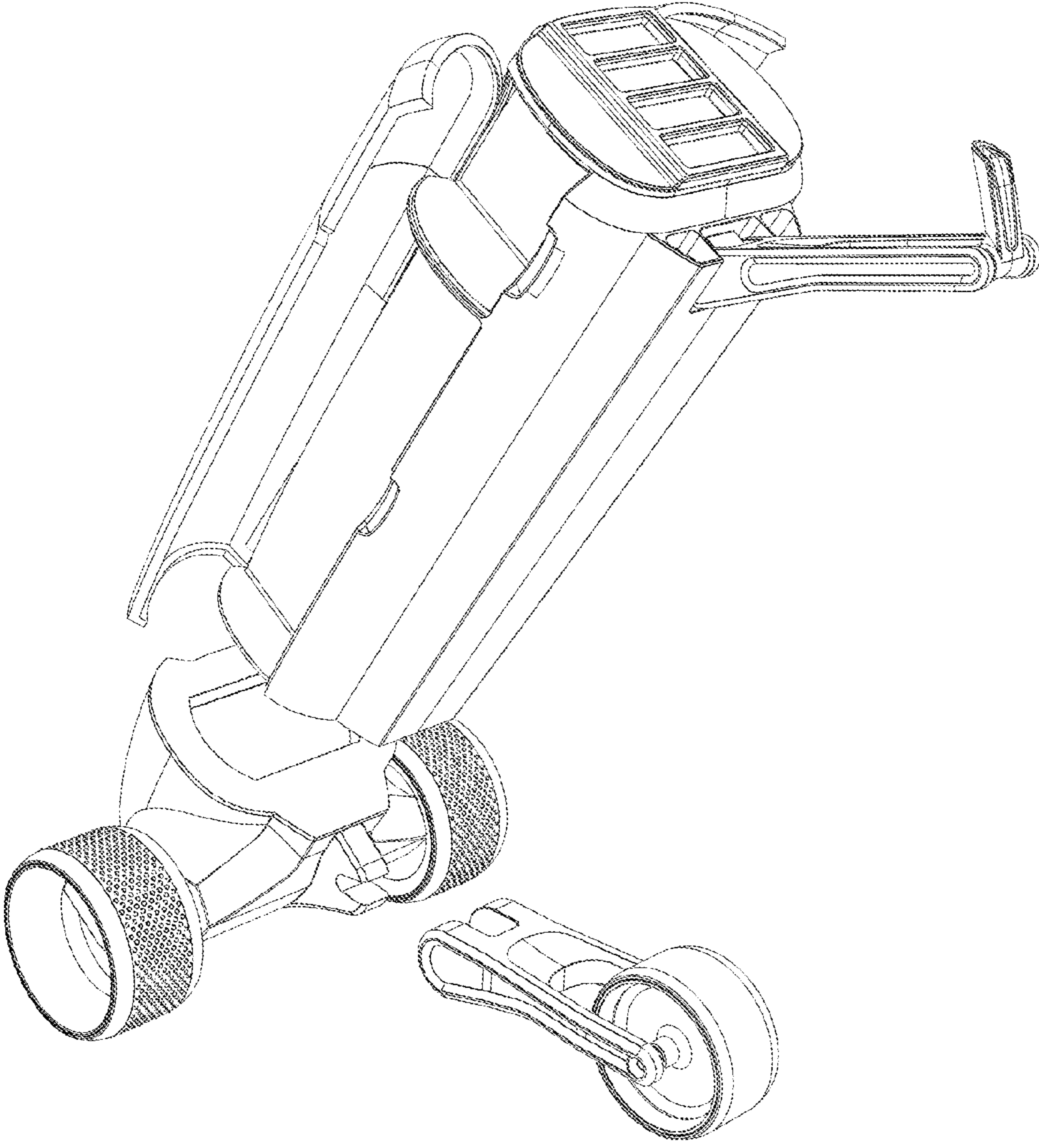


FIG. 7