



US00D695482S

(12) **United States Design Patent**
Huang

(10) **Patent No.:** **US D695,482 S**

(45) **Date of Patent:** **** Dec. 10, 2013**

(54) **DISH RACK**

(71) Applicant: **Jianping Huang**, Guangdong (CN)

(72) Inventor: **Jianping Huang**, Guangdong (CN)

(**) Term: **14 Years**

(21) Appl. No.: **29/459,629**

(22) Filed: **Jul. 2, 2013**

(30) **Foreign Application Priority Data**

Jan. 25, 2013 (CN) 2013 3 0024277

(51) **LOC (9) Cl.** **07-05**

(52) **U.S. Cl.**
USPC **D32/55**

(58) **Field of Classification Search**

USPC 4/637, 656; 211/41.2–41.4, 41.8–41.9,
211/181.1, 126.8–126.9, 85.25, 86.01,
211/88.01; 220/485, 487–488, 494, 572;
D6/462, 683; D7/667; D23/207

See application file for complete search history.

(56) **References Cited**

U.S. PATENT DOCUMENTS

D520,699	S	*	5/2006	Yang et al.	D32/55
D554,819	S	*	11/2007	Shah	D32/55
D555,310	S	*	11/2007	Yang et al.	D32/55
D555,311	S	*	11/2007	Yang et al.	D32/55
D559,491	S	*	1/2008	Yang et al.	D32/55
D581,619	S	*	11/2008	Yang et al.	D32/55
D599,067	S	*	8/2009	Yang et al.	D32/55
D599,068	S	*	8/2009	Yang et al.	D32/55
D647,678	S	*	10/2011	Yang et al.	D32/55
2005/0269273	A1	*	12/2005	Yang et al.	211/41.4

* cited by examiner

Primary Examiner — Austin Murphy

(74) *Attorney, Agent, or Firm* — The Dobrusin Law Firm, PC

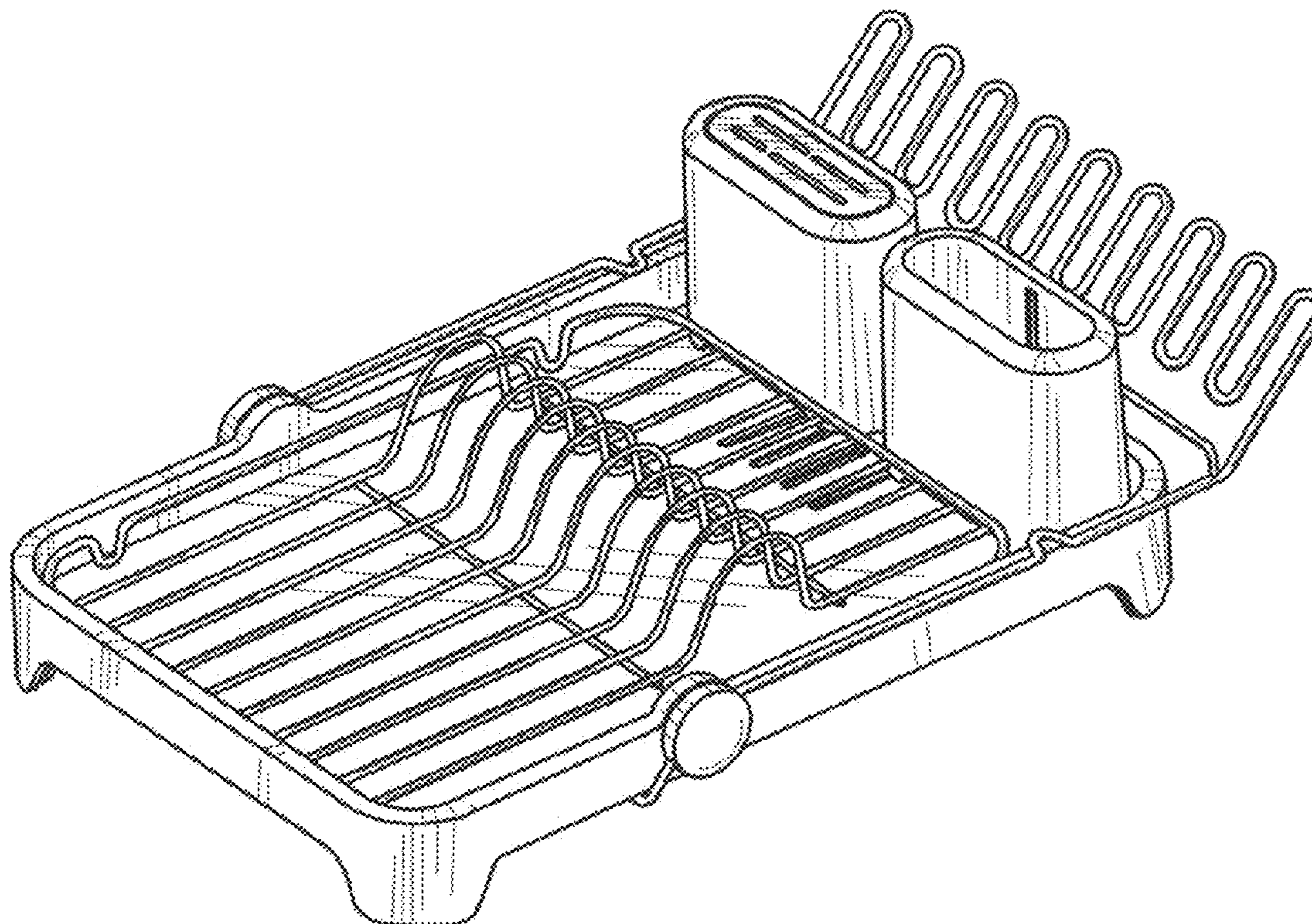
(57) **CLAIM**

The ornamental design for dish rack, as shown and described.

DESCRIPTION

FIG. 1 is a perspective view generally taken from one side of the dish rack showing the design; FIG. 2 is a front view thereof; FIG. 3 is a rear view thereof; FIG. 4 is a right view thereof; FIG. 5 is a top view thereof; and, FIG. 6 is a bottom view thereof.

1 Claim, 6 Drawing Sheets



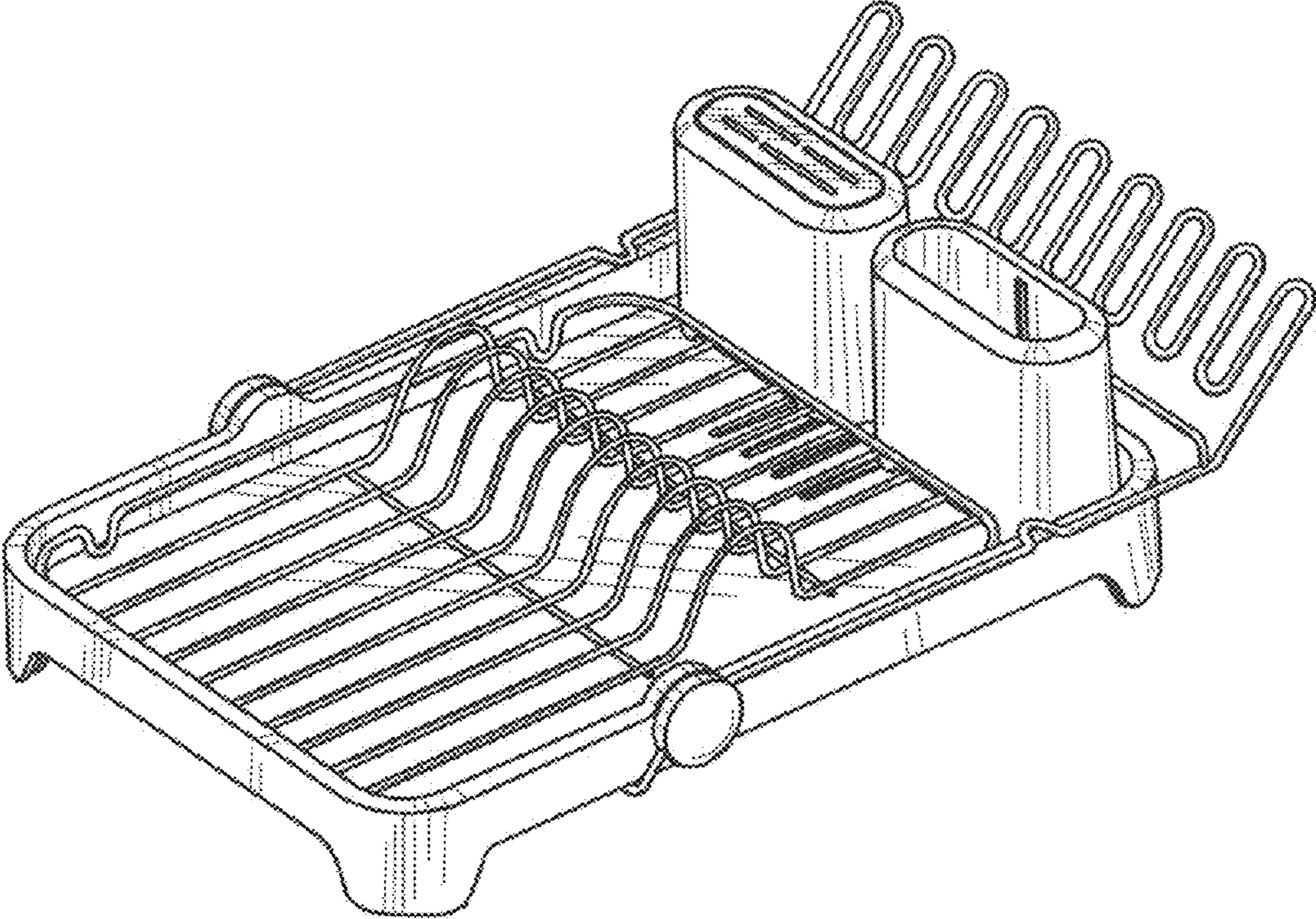


Fig. 1

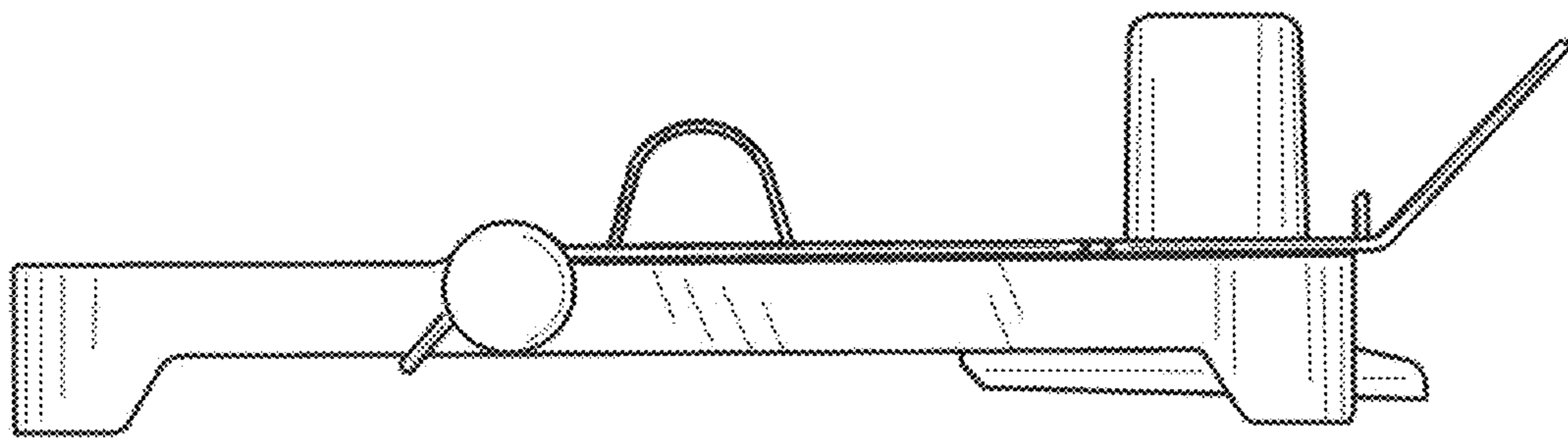


Fig.2

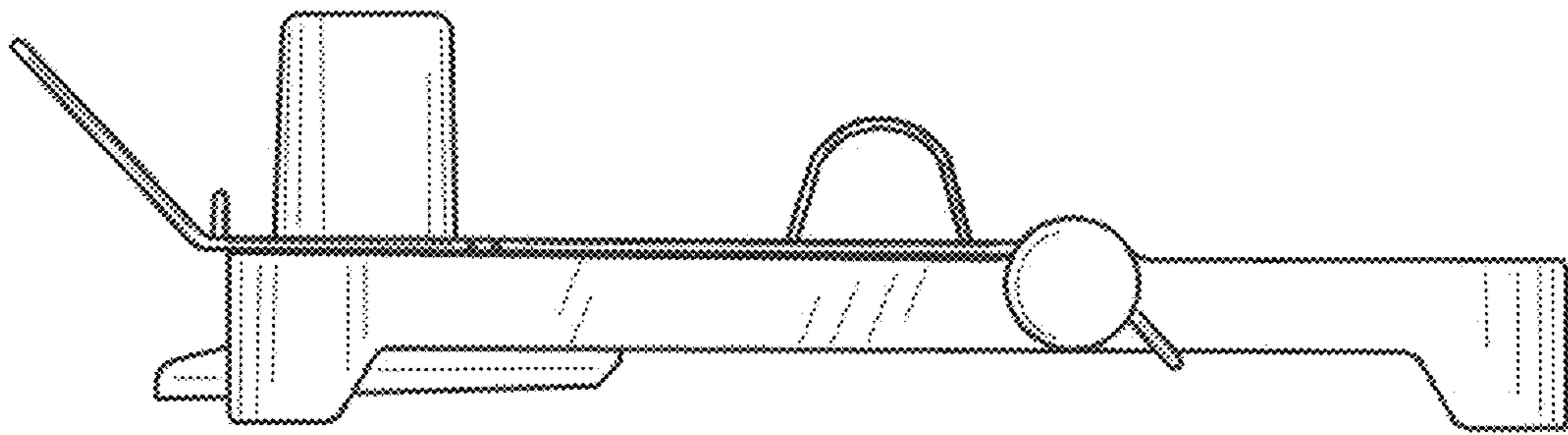


Fig.3

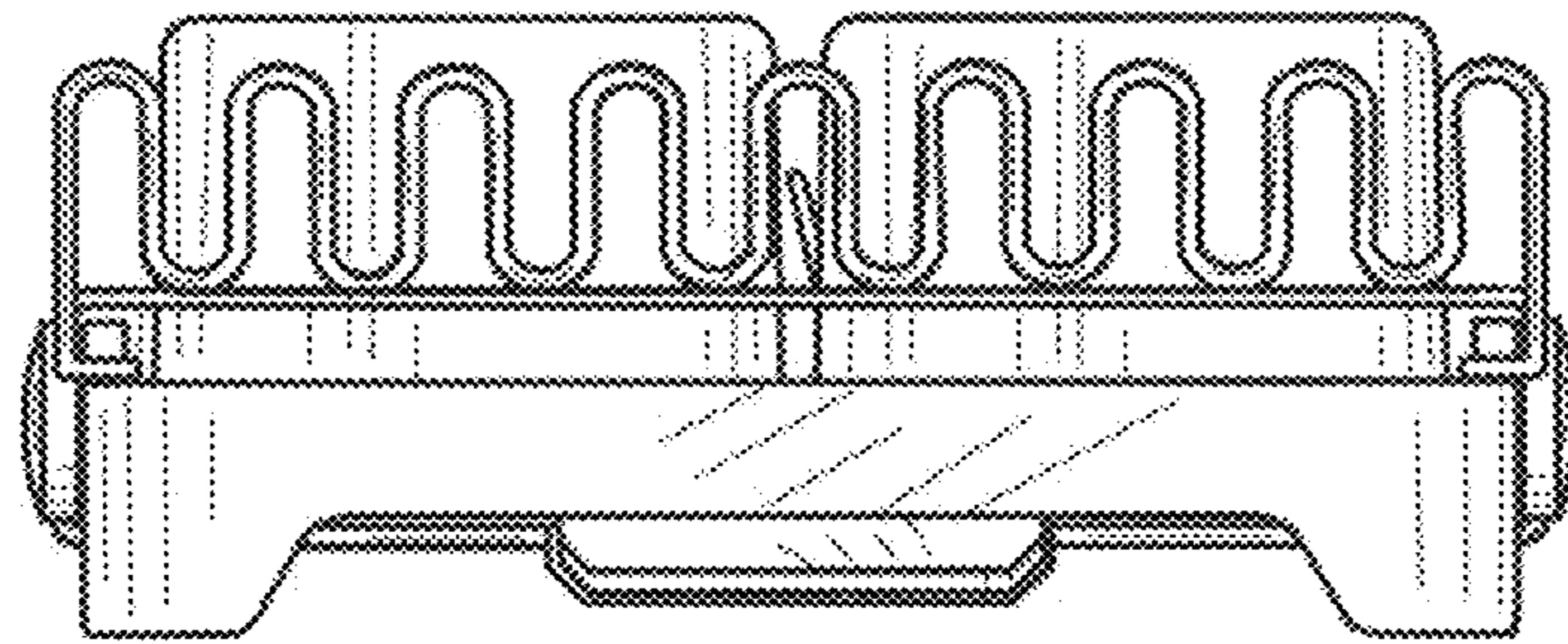


Fig.4

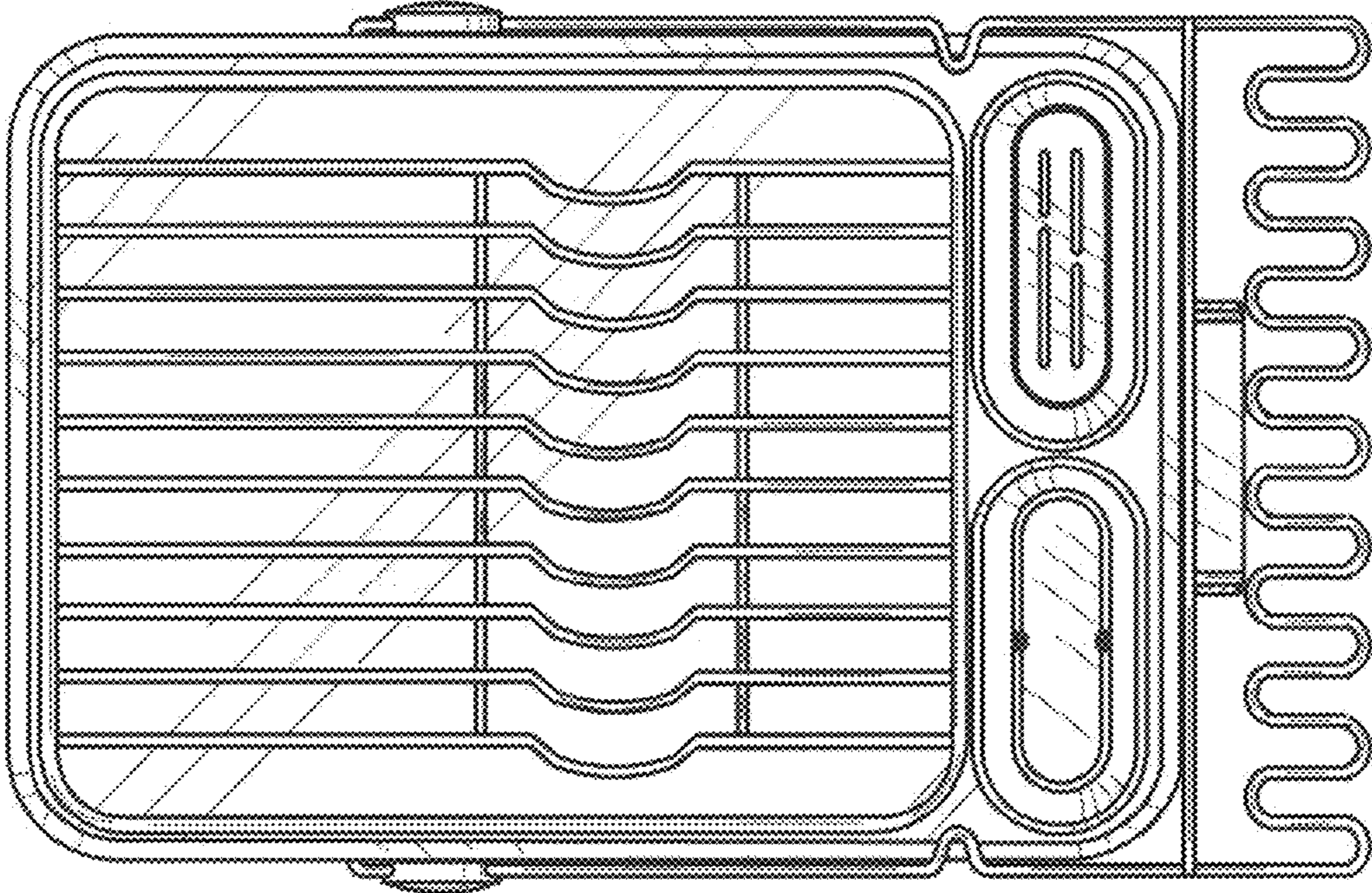


Fig.5

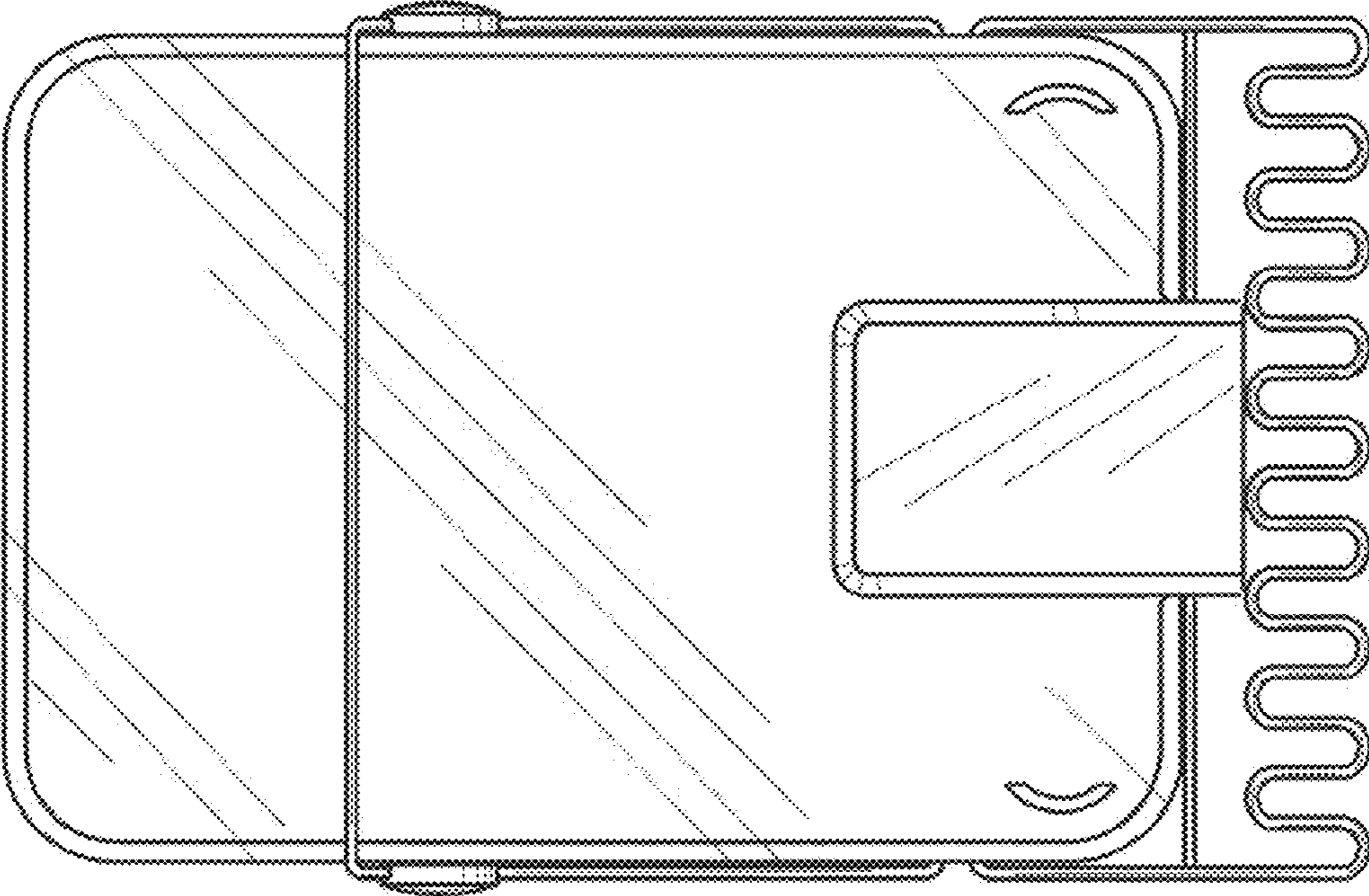


Fig.6