

US00D695477S

(12) **United States Design Patent**  
**Patterson**

(10) **Patent No.:** **US D695,477 S**

(45) **Date of Patent:** **\*\* Dec. 10, 2013**

(54) **CLEANING PADDLE**

(75) Inventor: **Joseph K. Patterson**, Monroe, CT (US)

(73) Assignee: **Unger Marketing International, LLC**,  
Bridgeport, CT (US)

(\*\*) Term: **14 Years**

(21) Appl. No.: **29/415,297**

(22) Filed: **Mar. 9, 2012**

(51) **LOC (9) Cl.** ..... **04-01**

(52) **U.S. Cl.**

USPC ..... **D32/40**; D23/46

(58) **Field of Classification Search**

USPC ..... D32/40-48; D9/436, 499; 15/105, 245,  
15/245.1; 401/139

See application file for complete search history.

(56) **References Cited**

**U.S. PATENT DOCUMENTS**

D327,146 S *	6/1992	Miller	.....	D32/42
D395,103 S *	6/1998	White, III	.....	D32/49
D431,101 S *	9/2000	Gracy	.....	D32/49
D550,417 S *	9/2007	Froeschl	.....	D32/49
D570,063 S *	5/2008	Manak	.....	D32/49
8,157,466 B2 *	4/2012	Mueller et al.	.....	401/136

\* cited by examiner

*Primary Examiner* — Robin V Webster

(74) *Attorney, Agent, or Firm* — Ohlandt, Greeley, Ruggiero  
& Perle, L.L.P.

(57) **CLAIM**

The ornamental design for the cleaning paddle, as shown and described.

**DESCRIPTION**

FIG. 1 is a top perspective view of an exemplary embodiment a cleaning paddle according to the present disclosure illustrating a handle in phantom;

FIG. 2 is a bottom perspective view of the cleaning paddle of FIG. 1;

FIG. 3 is a top perspective view of the cleaning paddle of FIGS. 1 and 2;

FIG. 4 is a bottom perspective view of the cleaning paddle of FIGS. 1 and 2;

FIG. 5 is a top view of the cleaning paddle of FIG. 3;

FIG. 6 is a bottom view of the cleaning paddle of FIG. 3;

FIG. 7 is a first end view of the cleaning paddle of FIG. 3;

FIG. 8 is a second end view of the cleaning paddle of FIG. 3; and,

FIG. 9 is a side view of the cleaning paddle of FIG. 3, the opposite side being identical thereto.

The broken lines in the drawings illustrating environmental structure or boundaries that form no part of the claimed design.

**1 Claim, 5 Drawing Sheets**

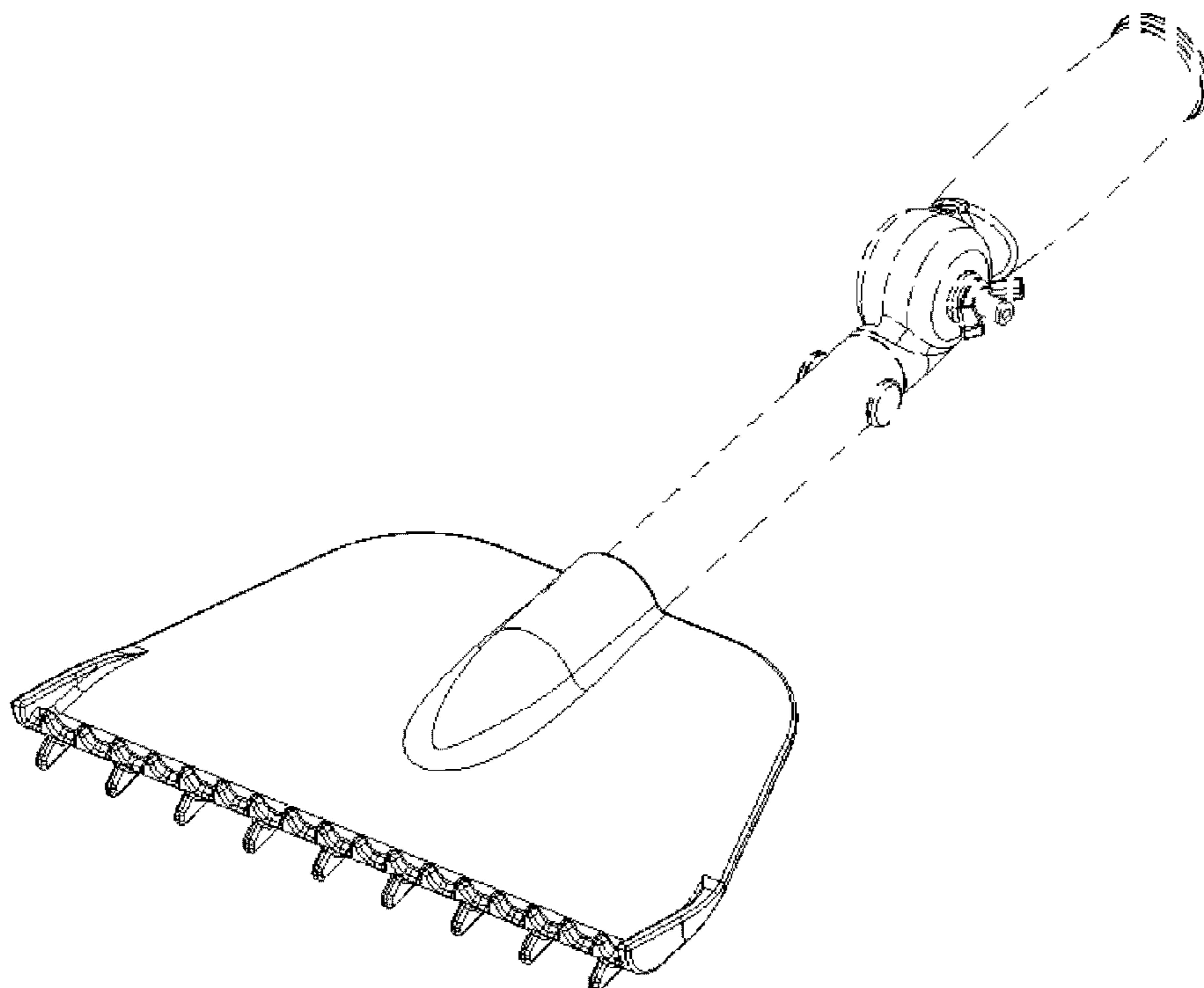


FIG. 1

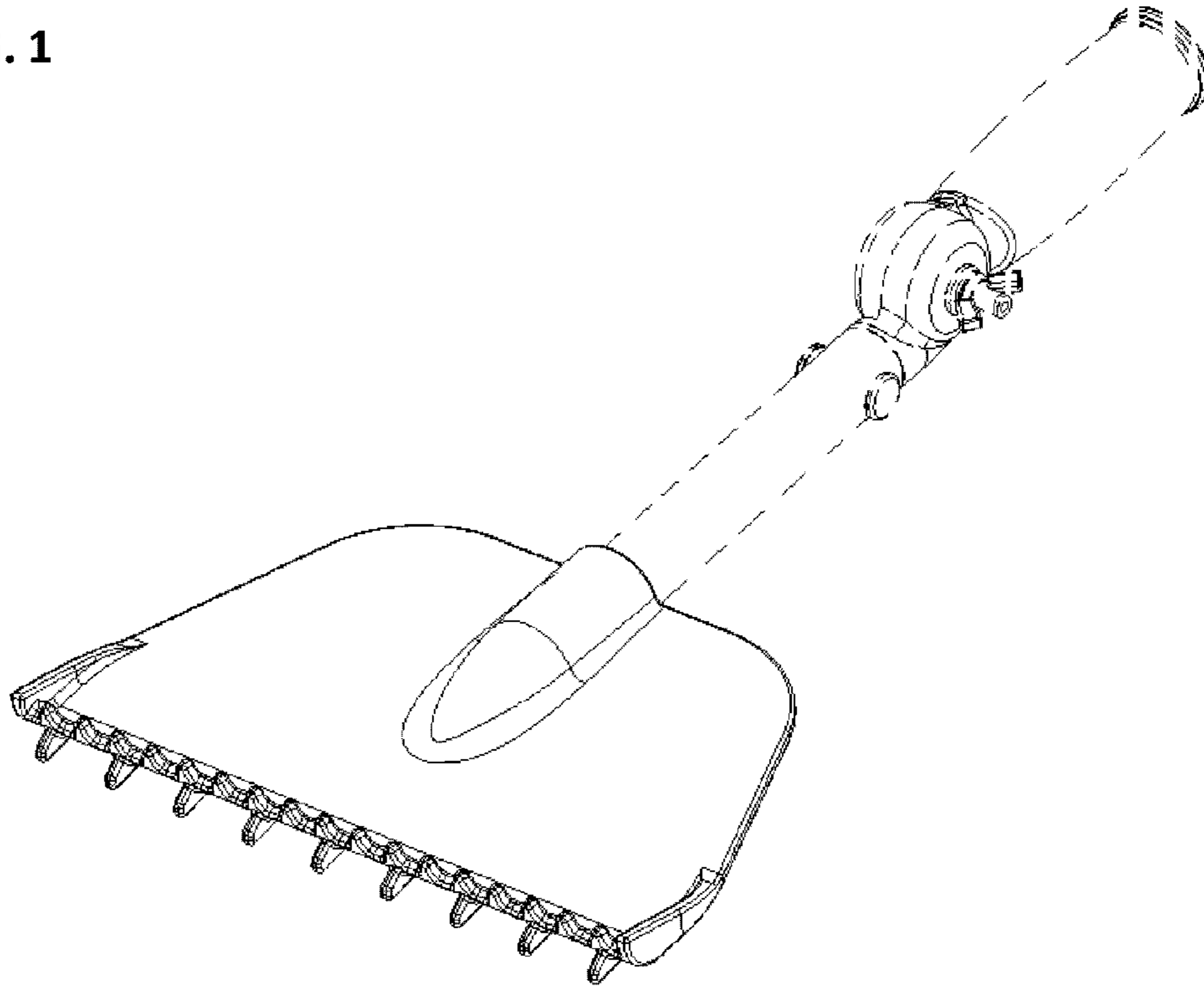
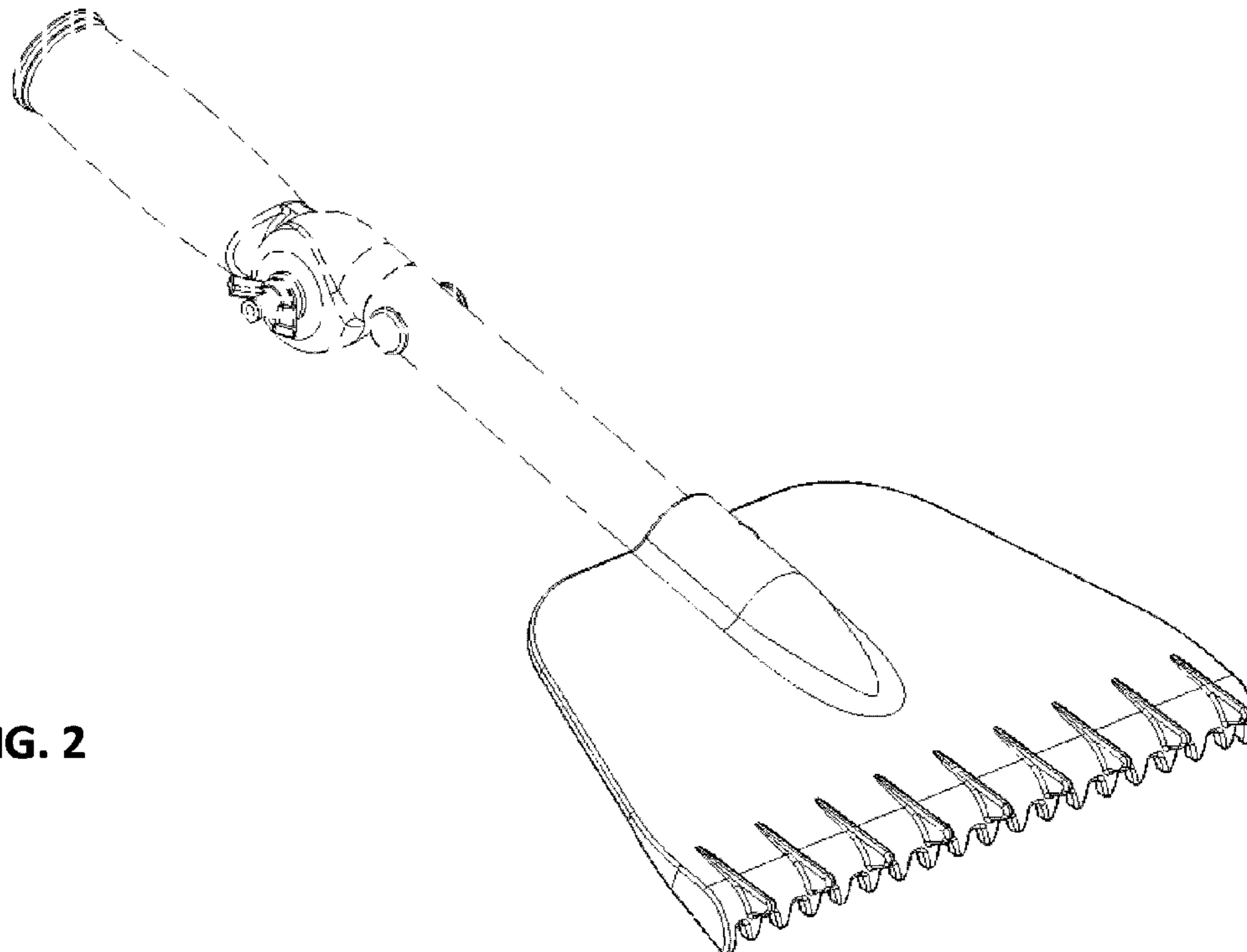


FIG. 2



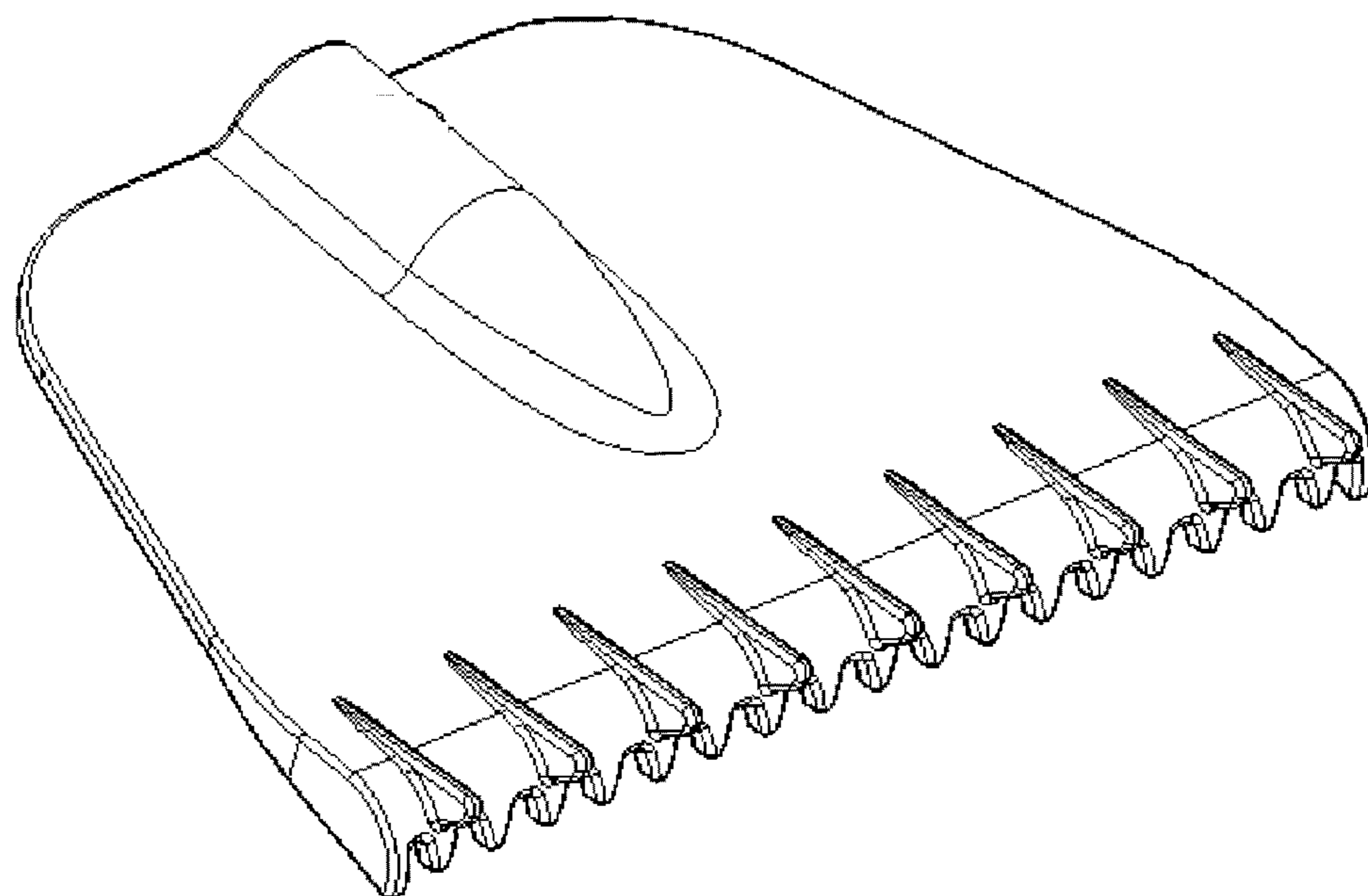


FIG. 3

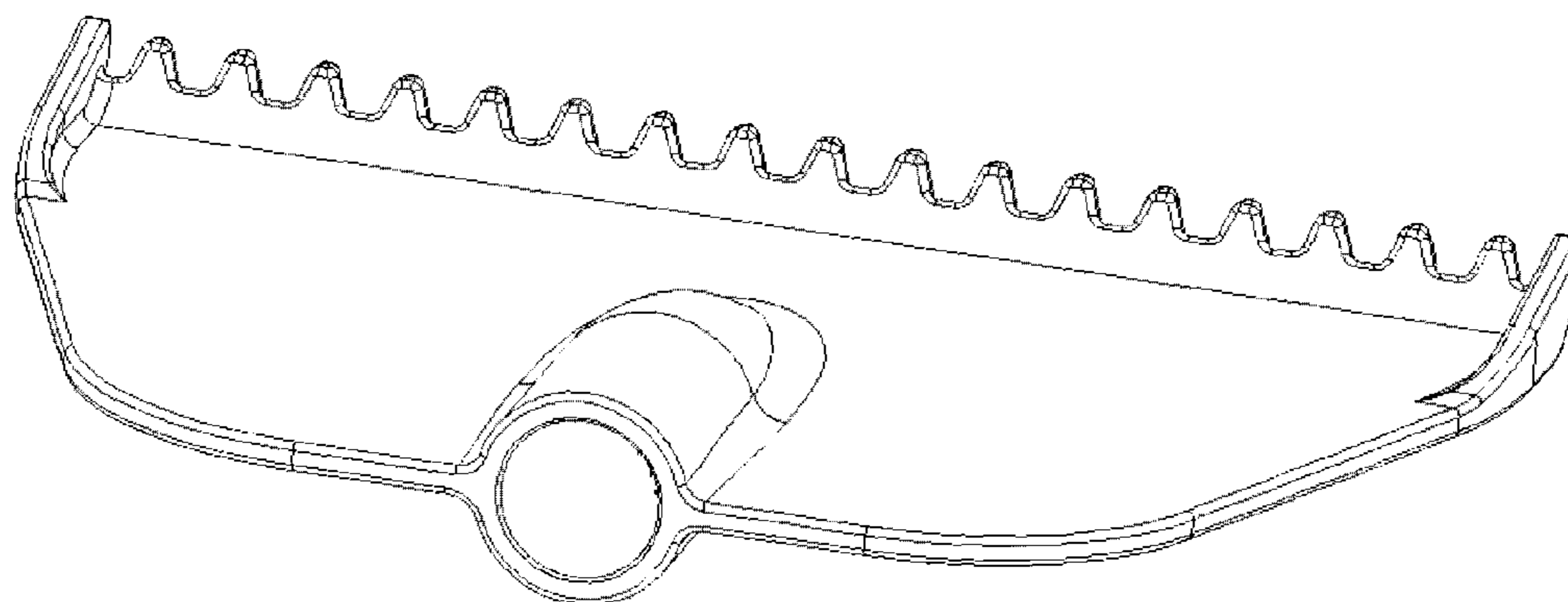


FIG. 4

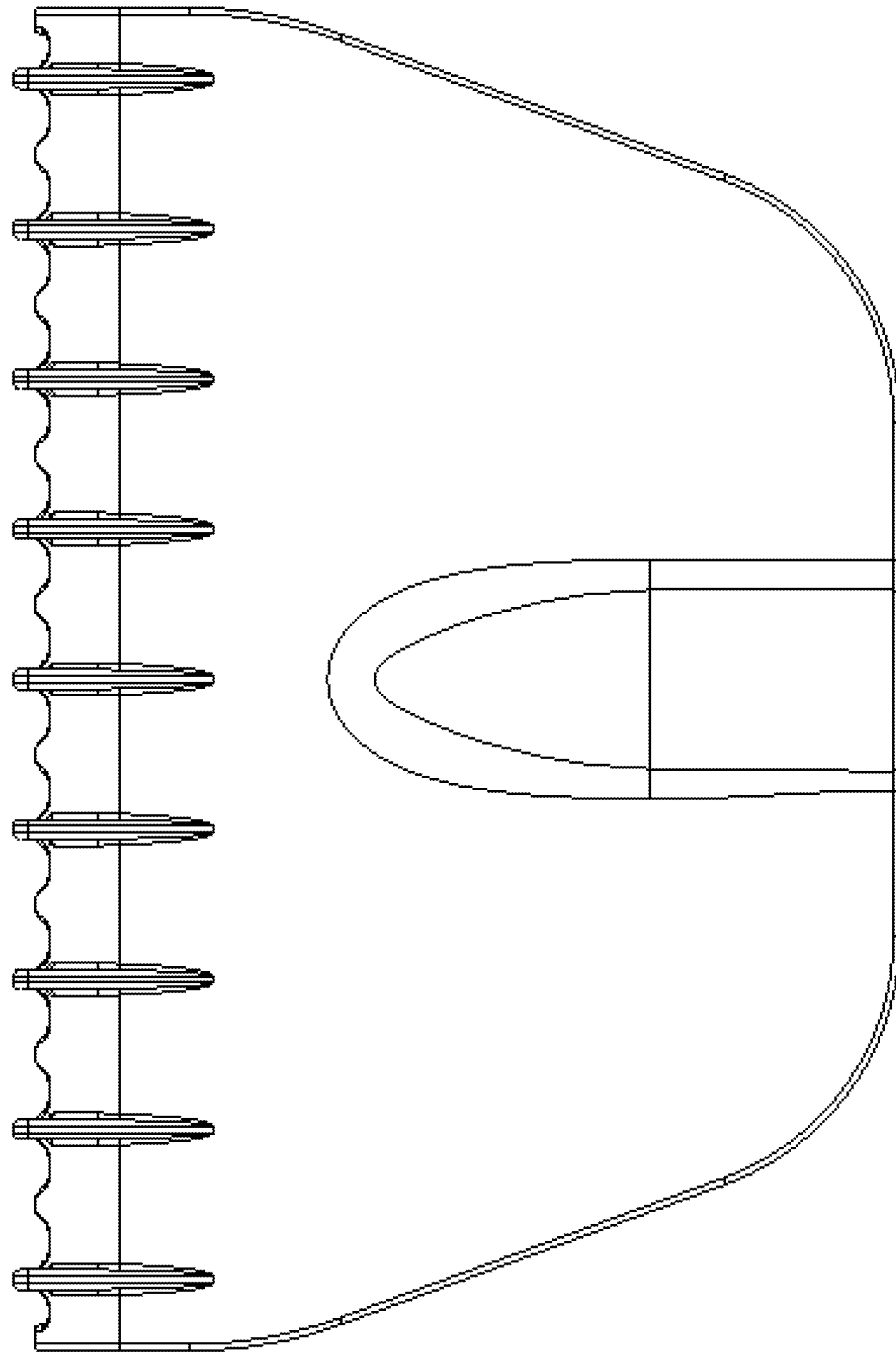


FIG. 5

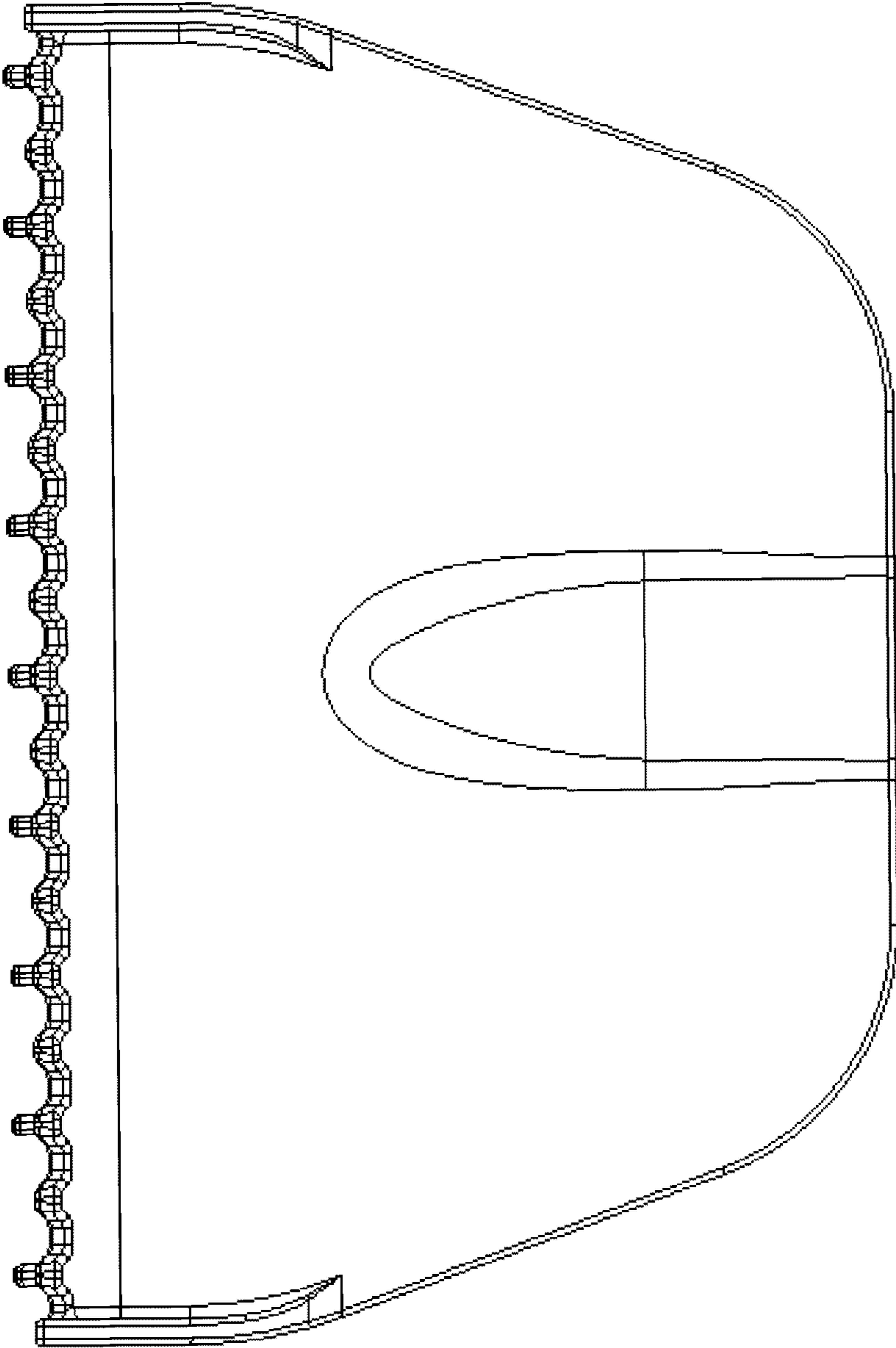


FIG. 6

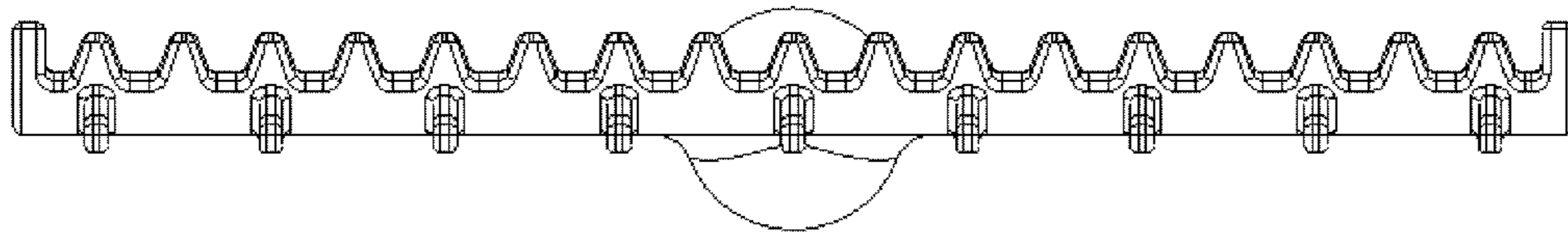


FIG. 7

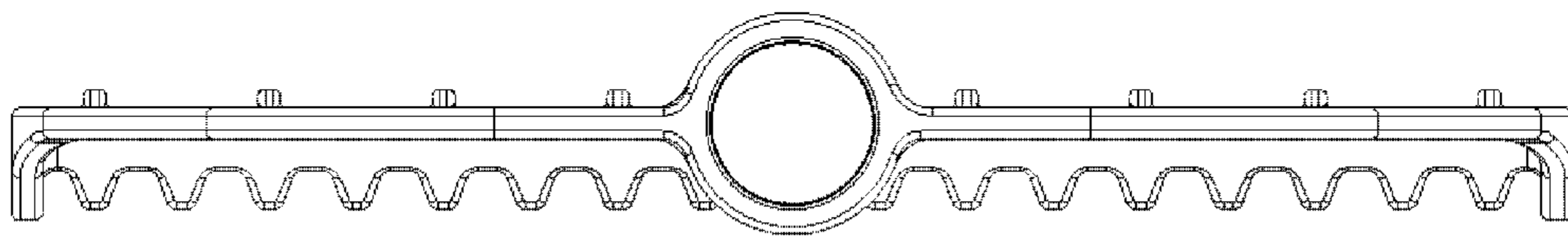


FIG. 8

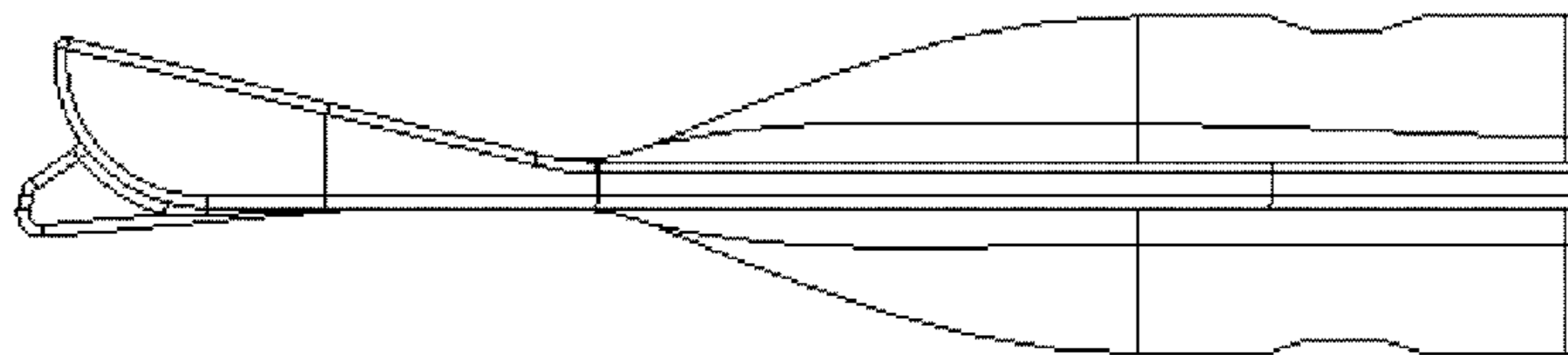


FIG. 9