



US00D695473S

(12) **United States Design Patent**  
**Ediger et al.**

(10) **Patent No.:** **US D695,473 S**  
(45) **Date of Patent:** **\*\* Dec. 10, 2013**

(54) **GARMENT STEAMER**

(71) Applicant: **Vornado Air, LLC**, Andover, KS (US)

(72) Inventors: **Glen W. Ediger**, North Newton, KS (US); **Gary P. Israel**, Andover, KS (US); **Katherine T. Sparks**, Wichita, KS (US); **Tanya M. Flores**, Andover, KS (US); **Robert F. Mosher, II**, Wichita, KS (US)

(73) Assignee: **Vornado Air, LLC**, Andover, KS (US)

(\*\*) Term: **14 Years**

(21) Appl. No.: **29/438,961**

(22) Filed: **Dec. 5, 2012**

(51) **LOC (9) Cl.** ..... **15-05**

(52) **U.S. Cl.**  
USPC ..... **D32/17**

(58) **Field of Classification Search**  
USPC ..... D32/17-21, 24, 31-33, 50; 15/320, 15/322, 327.1, 327.5-327.7, 353, 15/415.1-422, 422.1, 329, 366, 383, 384, 15/400, 340.4, 340.2, 52.2, 50.1, 50.2; 68/222, 5 R, 5 A; 392/403-406, 394, 392/386; 8/149.3; 239/136, 128; 137/241; 38/77.5-77.7, 77.9, 3, 14, 141, 77.83  
See application file for complete search history.

(56) **References Cited**

**U.S. PATENT DOCUMENTS**

5,609,047	A *	3/1997	Hellman et al.	68/222
D451,653	S *	12/2001	Berreth et al.	D32/17
D465,886	S *	11/2002	Doria	D32/17
D473,025	S *	4/2003	Simmons	D32/17
D489,499	S *	5/2004	Buzzi	D32/17
D497,693	S *	10/2004	Hecker et al.	D32/17
6,886,373	B2 *	5/2005	Carrubba et al.	68/222

D537,215	S *	2/2007	Foersterling	D32/9
D561,958	S *	2/2008	Hahn et al.	D32/17
D576,771	S *	9/2008	Reiner	D32/9
D580,607	S *	11/2008	Tobias	D32/17
7,475,448	B2 *	1/2009	Rosenzweig et al.	15/320
D599,511	S *	9/2009	Massip et al.	D32/17
D607,620	S *	1/2010	Massip et al.	D32/17
D623,365	S *	9/2010	Ediger et al.	D32/17
D652,185	S *	1/2012	Mu	D32/21
8,091,747	B2 *	1/2012	Haan	223/90
D657,100	S *	4/2012	Ediger et al.	D32/17
D659,919	S *	5/2012	Lin	D32/17
8,205,363	B2 *	6/2012	Lin et al.	38/77.6
8,275,248	B2 *	9/2012	Xu et al.	392/394
D670,044	S *	10/2012	Andreesen	D32/17
8,302,334	B2 *	11/2012	Krebs et al.	38/77.83
2003/0033687	A1 *	2/2003	Tsen	15/322
2005/0102789	A1 *	5/2005	Hopper	15/320
2009/0255302	A1 *	10/2009	Haan	68/222
2011/0107546	A1 *	5/2011	Spatz et al.	15/320

\* cited by examiner

*Primary Examiner* — Ruth McInroy

(74) *Attorney, Agent, or Firm* — David H. Milligan

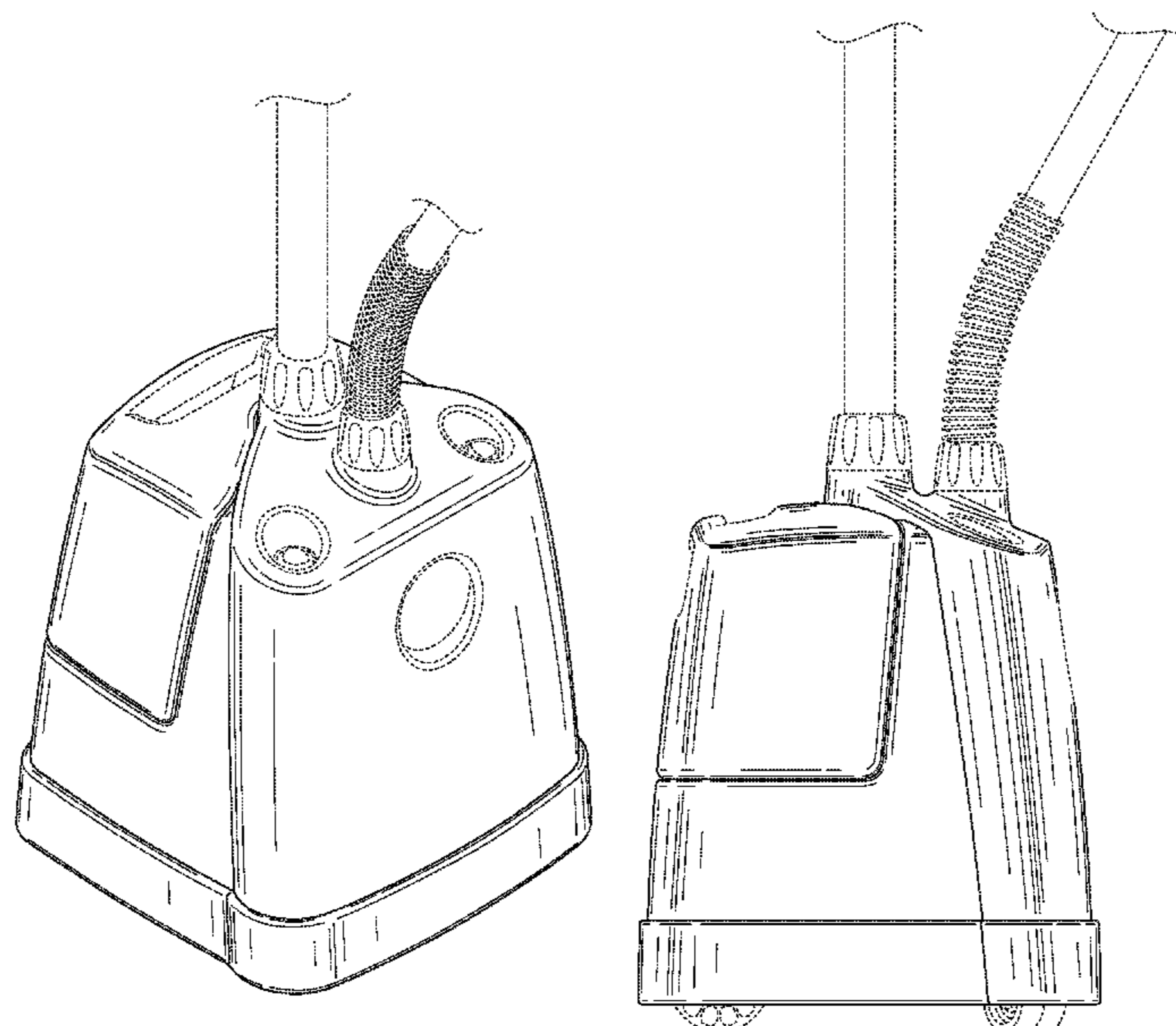
(57) **CLAIM**

The ornamental design for a garment steamer, as shown and described.

**DESCRIPTION**

FIG. 1 is a front and right side perspective view of a garment steamer showing our new design; FIG. 2 is a rear elevation view thereof; FIG. 3 is a front elevation view thereof; FIG. 4 is a left side elevation view thereof; FIG. 5 is a right side elevation view thereof; FIG. 6 is a top plan view thereof; and, FIG. 7 is a bottom plan view thereof. The details shown in broken lines form no part of the claimed design.

**1 Claim, 7 Drawing Sheets**



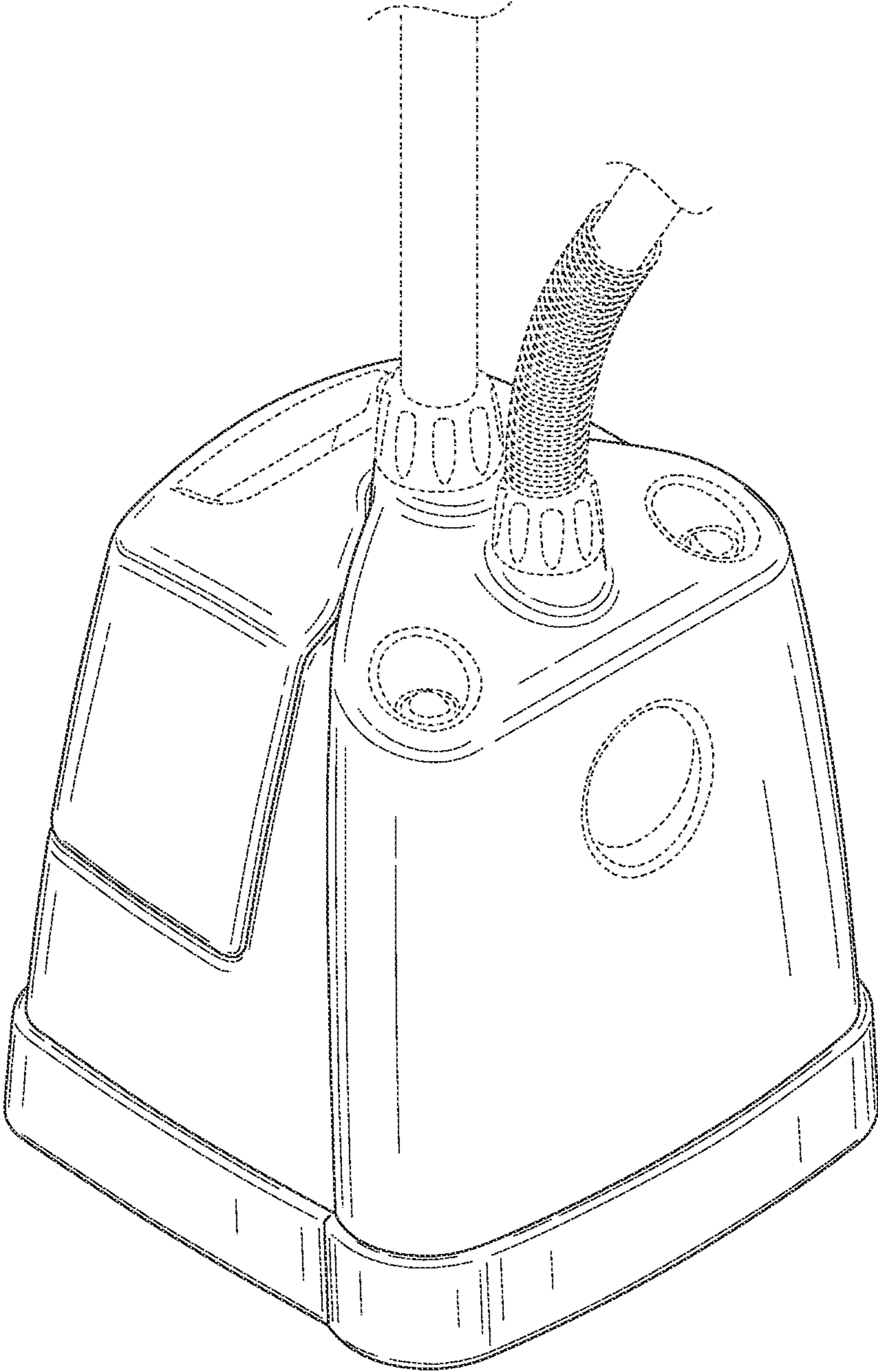
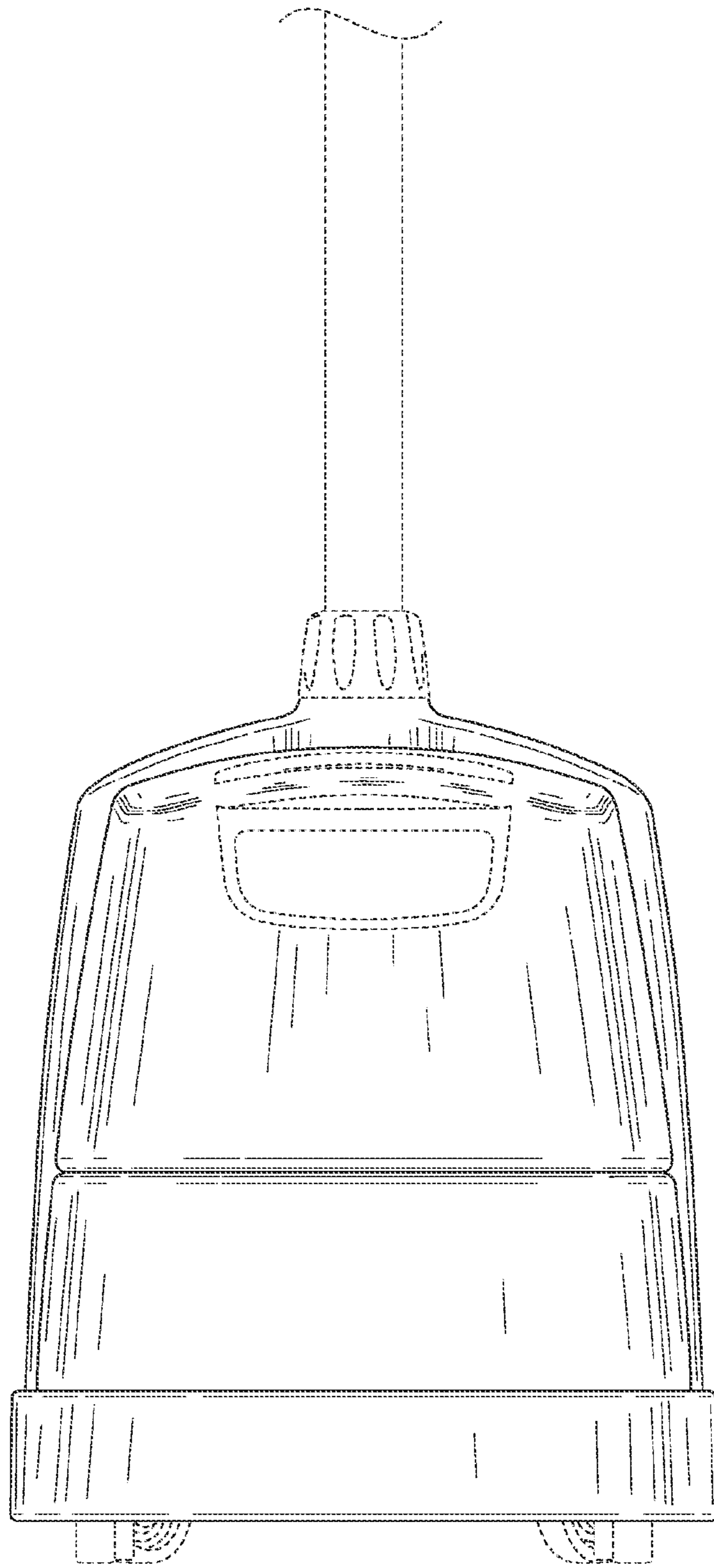


FIG. 1



**FIG. 2**

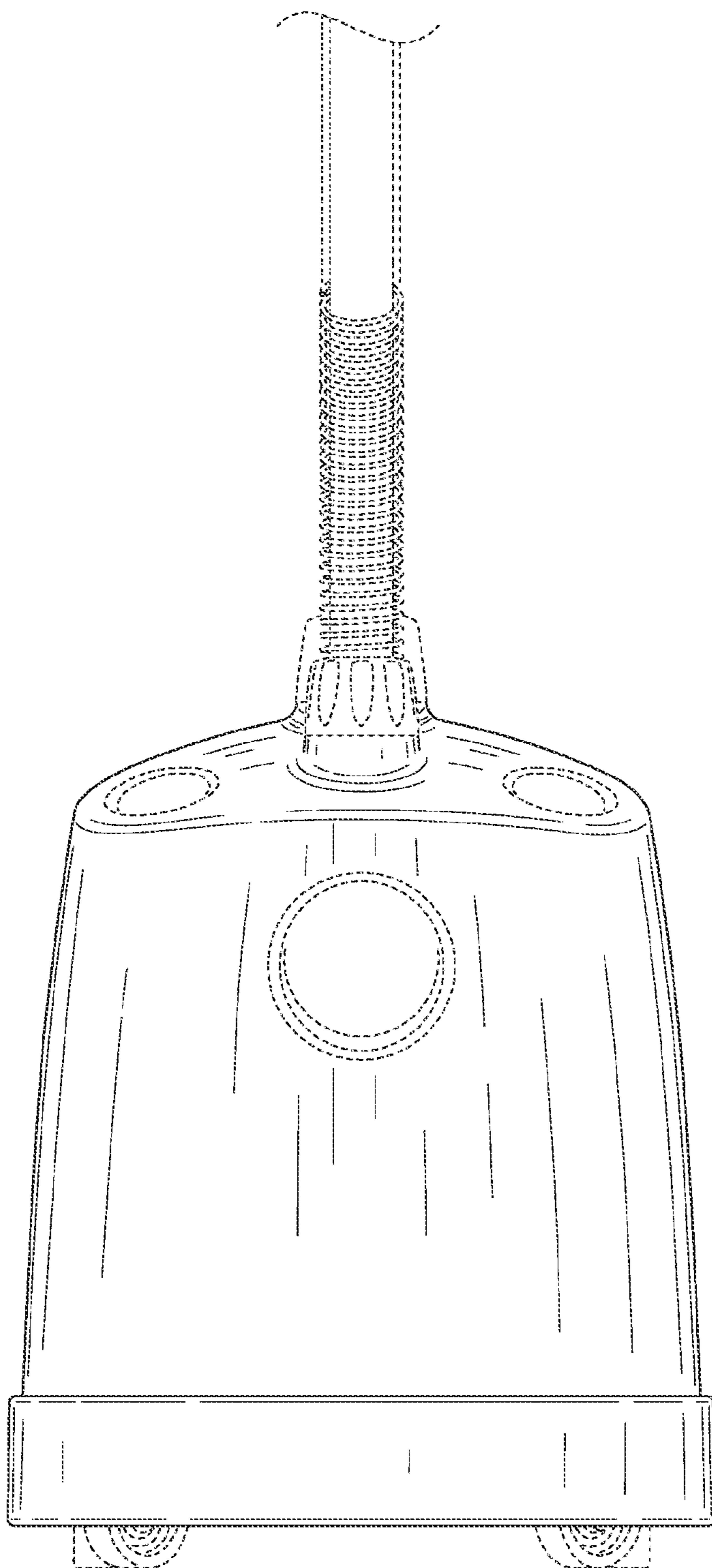


FIG. 3

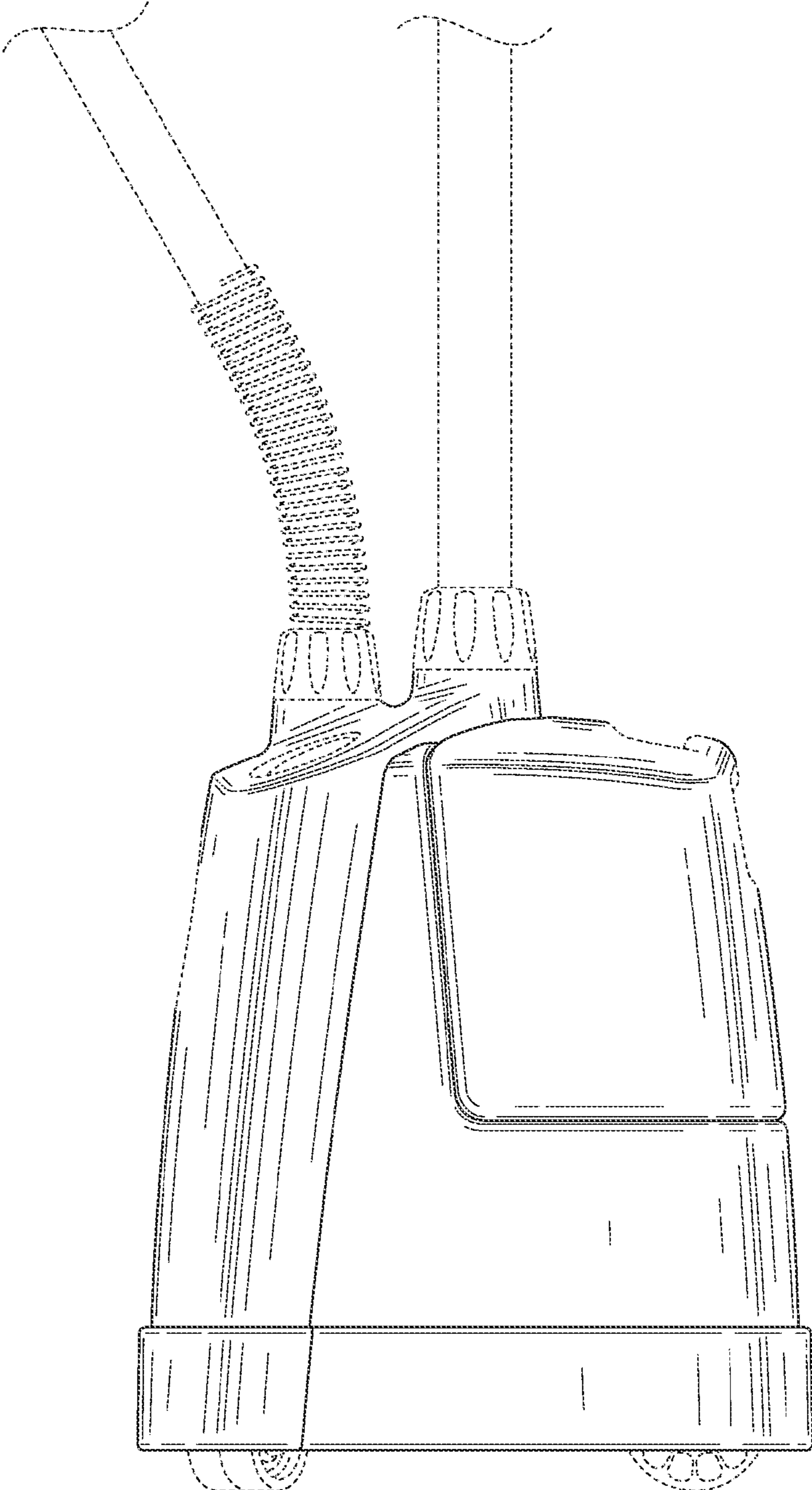


FIG. 4

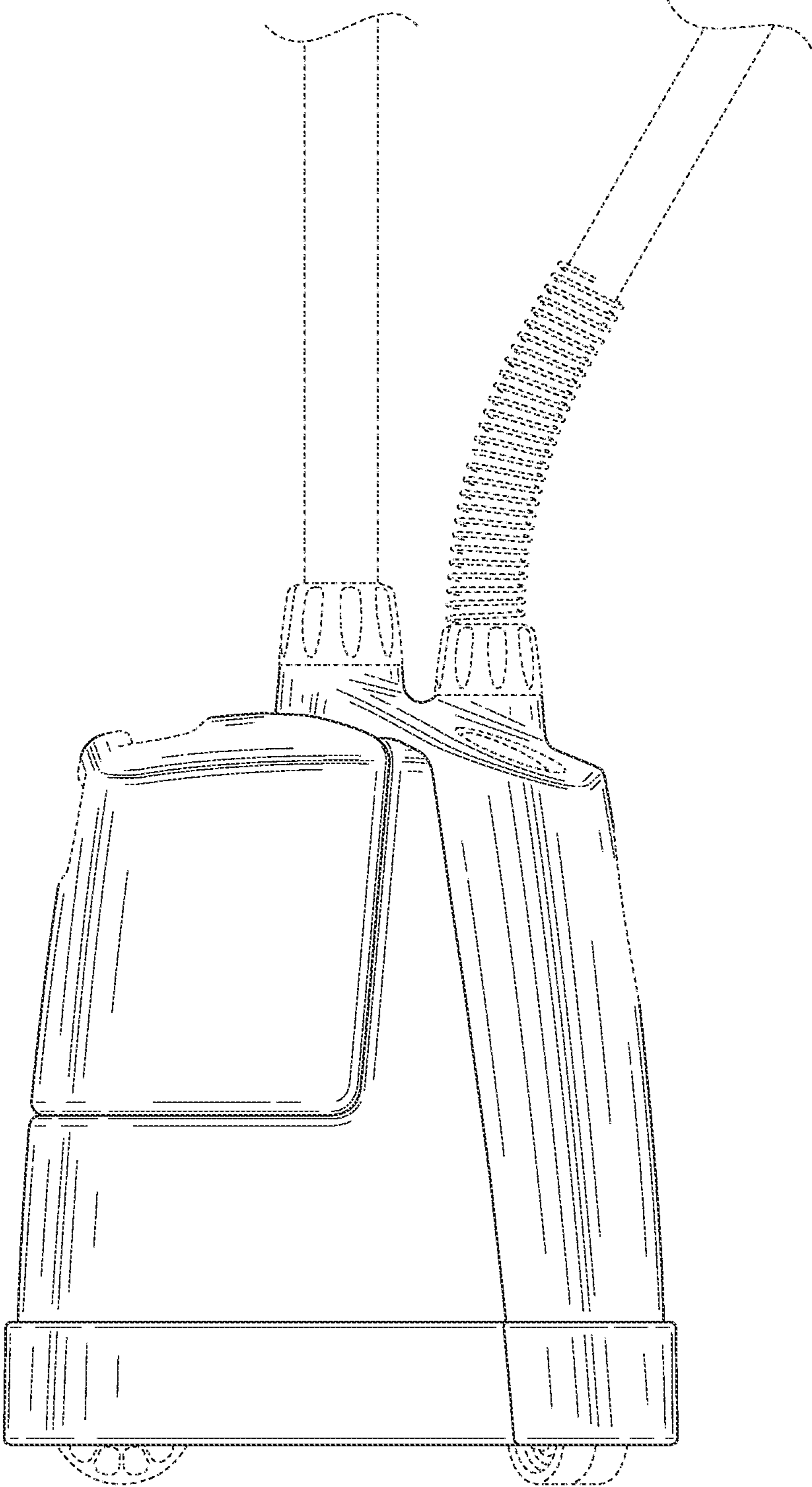
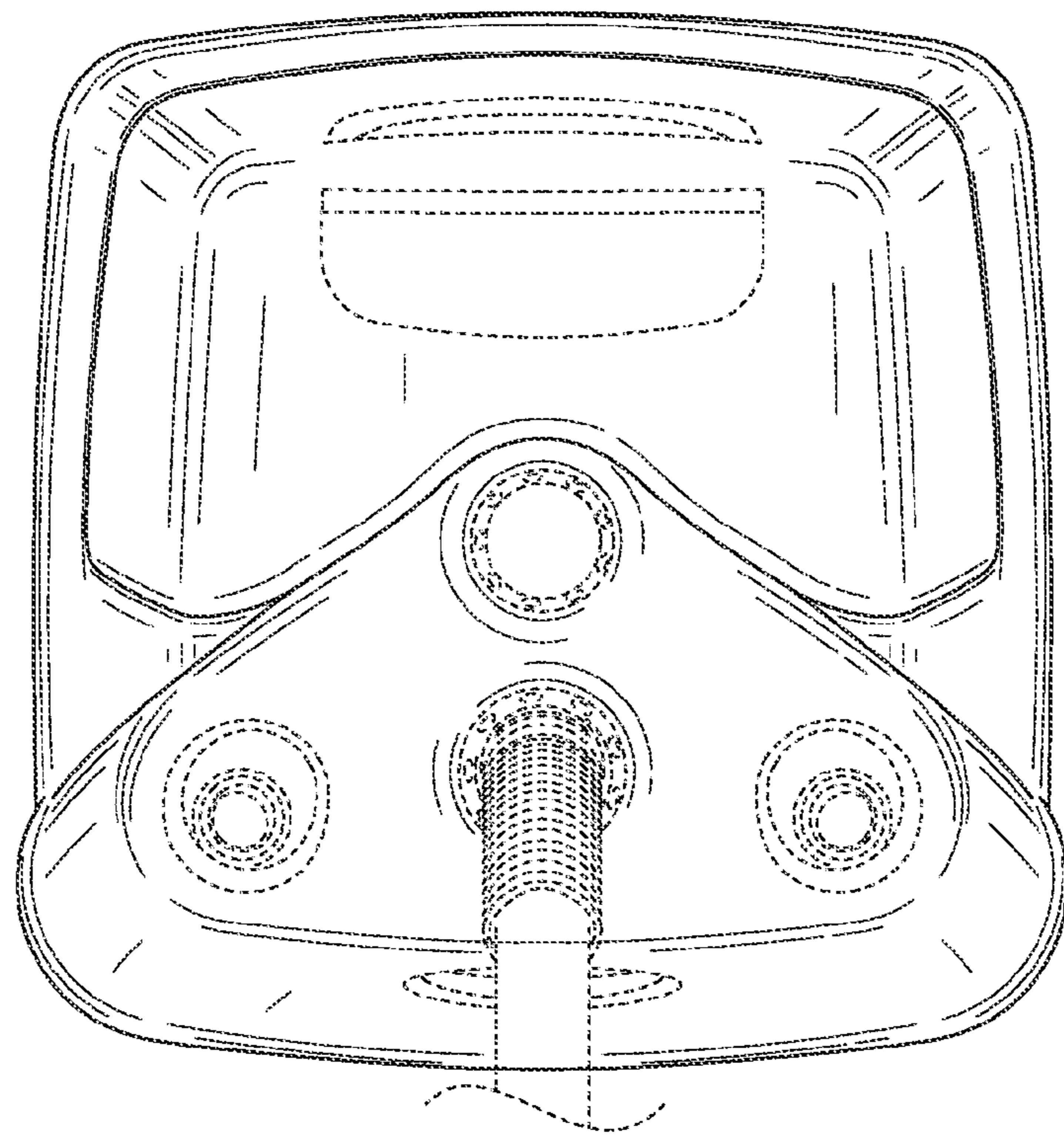


FIG. 5



**FIG. 6**

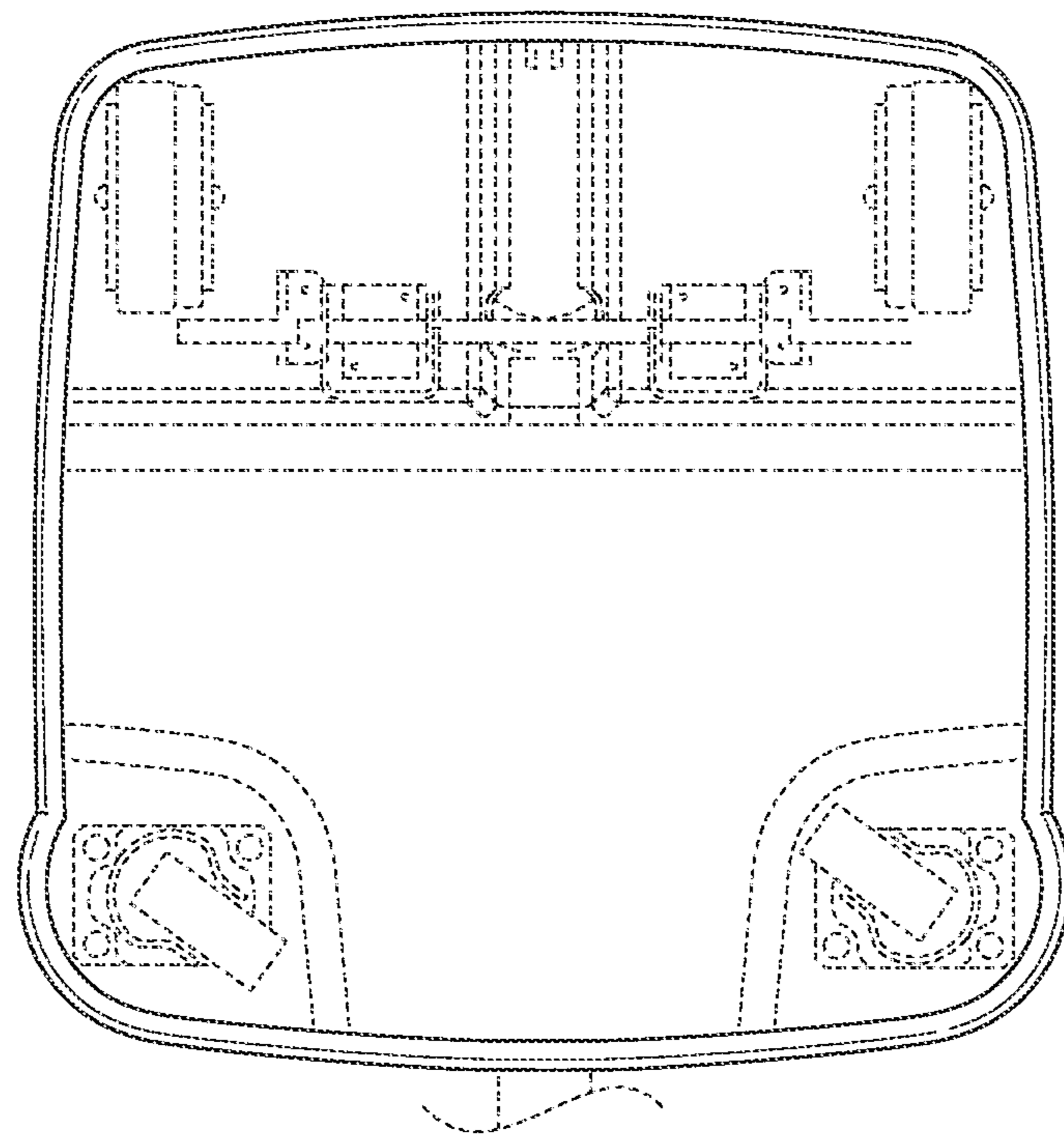


FIG. 7