

US00D695471S

(12) **United States Design Patent**  
**Buhagiar**

(10) **Patent No.:** **US D695,471 S**

(45) **Date of Patent:** **\*\* Dec. 10, 2013**

(54) **ANIMAL WASTE RECEPTACLE**

(76) Inventor: **Jordan A Buhagiar**, West Sacramento,  
CA (US)

(\*\*) Term: **14 Years**

(21) Appl. No.: **29/408,899**

(22) Filed: **Dec. 19, 2011**

**Related U.S. Application Data**

(63) Continuation-in-part of application No. 13/068,854,  
filed on May 11, 2010, now Pat. No. 8,474,890, and a  
continuation-in-part of application No. 12/136,309,  
filed on Jun. 10, 2008, now Pat. No. 8,132,834.

(51) **LOC (9) Cl.** ..... **30-99**

(52) **U.S. Cl.**  
USPC ..... **D30/162; D32/74**

(58) **Field of Classification Search**  
USPC ..... **D30/162; D8/14, 10; 15/104.8,**  
**15/257.1-257.2, 257.4, 257.6-257.7;**  
**D32/74, 49; 119/161, 163, 165-166;**  
**294/1.3-1.5, 19.1, 22, 24, 50.8, 50.9**  
See application file for complete search history.

(56) **References Cited**

**U.S. PATENT DOCUMENTS**

3,861,730	A *	1/1975	Ringo	.....	294/1.4
3,879,079	A	4/1975	Nicholas		
4,148,513	A	4/1979	Gagne		
4,200,321	A	4/1980	Warkentin		
4,316,627	A	2/1982	Solya		
4,368,907	A	1/1983	Ross		
D285,012	S	8/1986	Willis		
4,641,873	A	2/1987	Nurnberger		
4,741,566	A *	5/1988	Byung-Do et al.	.....	294/1.4
4,986,587	A *	1/1991	Lozano	.....	294/1.4
D333,888	S *	3/1993	Visser	.....	D30/162
5,564,267	A	10/1996	Bricker et al.		

D391,131	S *	2/1998	Lehn et al.	.....	D8/10
5,788,299	A	8/1998	Wilkinson		
D409,804	S *	5/1999	Nunes	.....	D30/162
5,915,769	A *	6/1999	Kidd	.....	294/1.4
6,019,405	A	2/2000	Tsou		
6,023,812	A *	2/2000	Morad	.....	15/257.7
6,030,011	A	2/2000	Layton		
6,478,351	B1	11/2002	Nelson		
6,796,587	B2	9/2004	Tsou		
D551,820	S *	9/2007	Morad	.....	D32/74
2005/0071943	A1 *	4/2005	Liu	.....	15/257.2
2008/0092321	A1 *	4/2008	Lin	.....	15/257.7

\* cited by examiner

*Primary Examiner* — Wan Laymon

(74) *Attorney, Agent, or Firm* — Edward S. Sherman

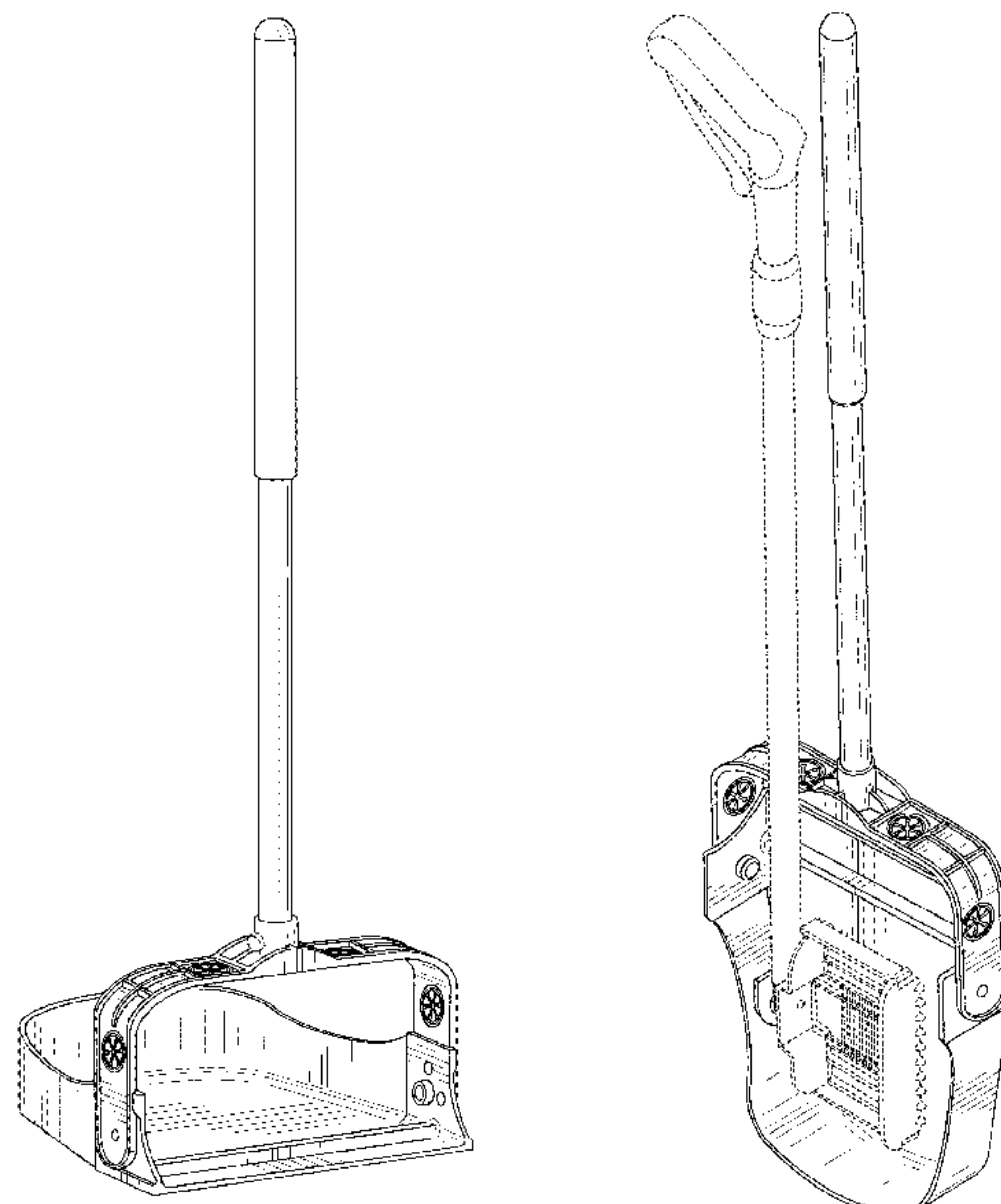
(57) **CLAIM**

The ornamental design for an “animal waste receptacle,” as shown and described.

**DESCRIPTION**

FIG. 1 is a first perspective view of the “animal waste receptacle” showing my new design;  
 FIG. 2 is a second perspective view of the “animal waste receptacle” after articulation of various joint components for flat nested storage as an assembled embodiment showing my new design;  
 FIG. 3 is a back elevation view of the configuration of FIG. 2;  
 FIG. 4 is a front elevation view thereof;  
 FIG. 5 is a back elevation view of the configuration of FIG. 1;  
 FIG. 6 is an enlarged bottom plan view thereof;  
 FIG. 7 is an enlarged partial back elevation view thereof;  
 FIG. 8 is an enlarged partial front elevation view thereof;  
 FIG. 9 is an enlarged partial left side elevation view thereof;  
 FIG. 10 is an enlarged partial right side elevation view thereof;  
 FIG. 11 is a full left side elevation view thereof; and,  
 FIG. 12 is an enlarged top elevation view thereof.  
 The broken lines showing portions of an animal waste receptacle are included for the purpose of illustrating environmental structure and form no part of the claimed design.

**1 Claim, 9 Drawing Sheets**



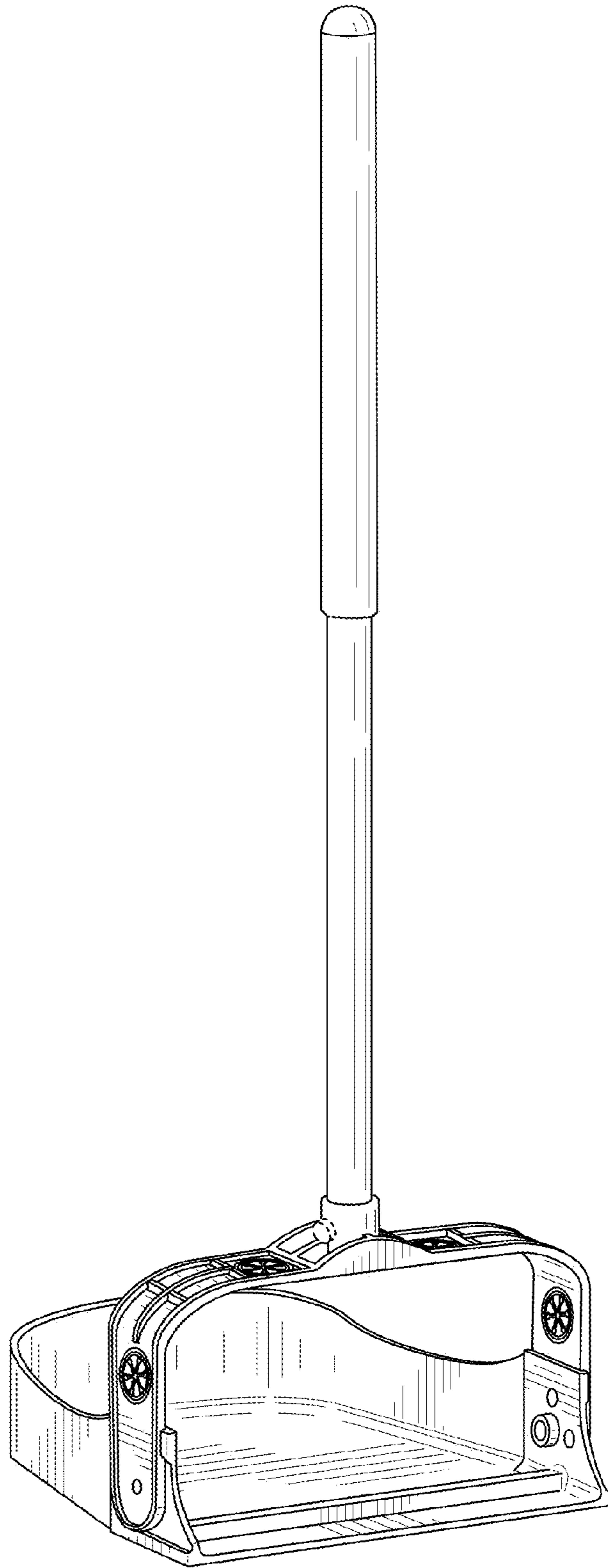


FIG. 1

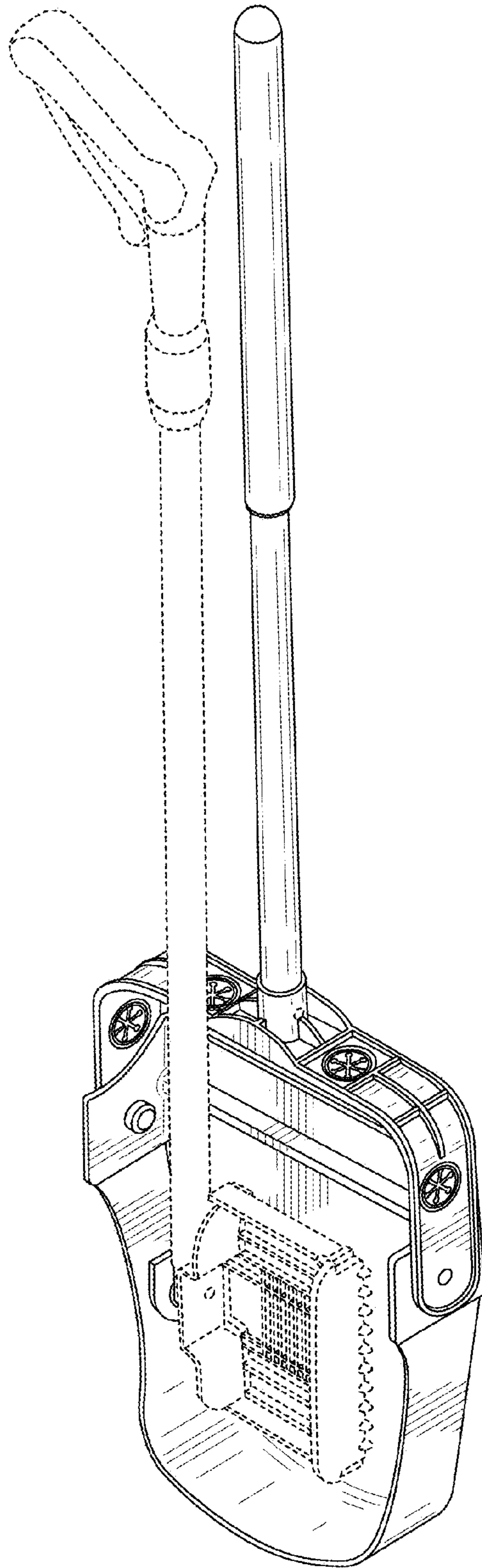


FIG. 2

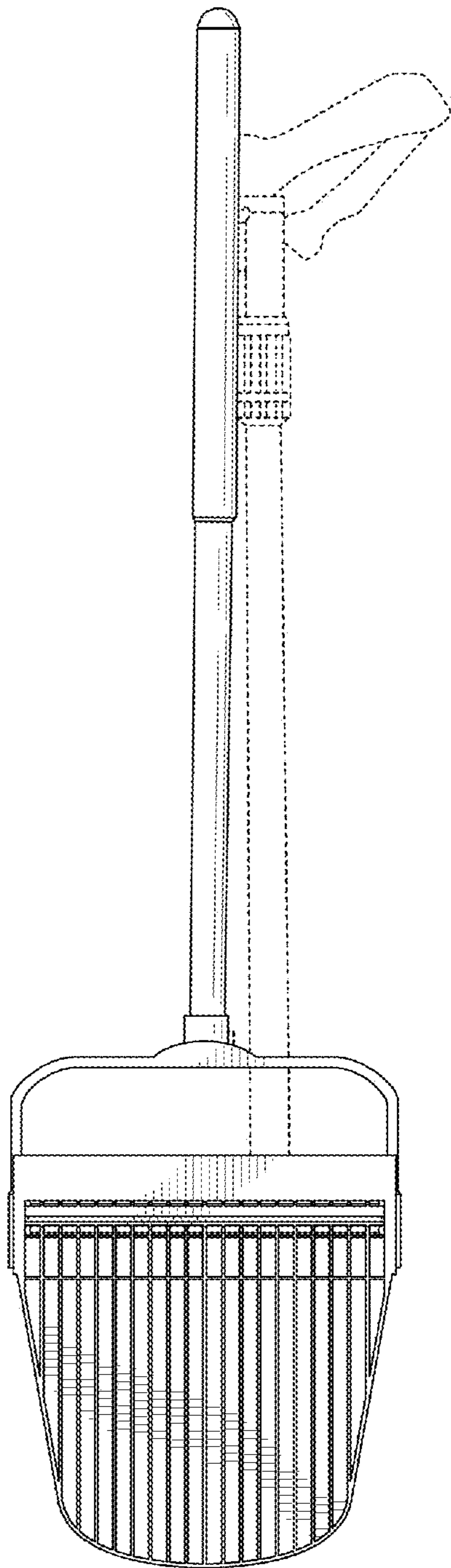


FIG. 3

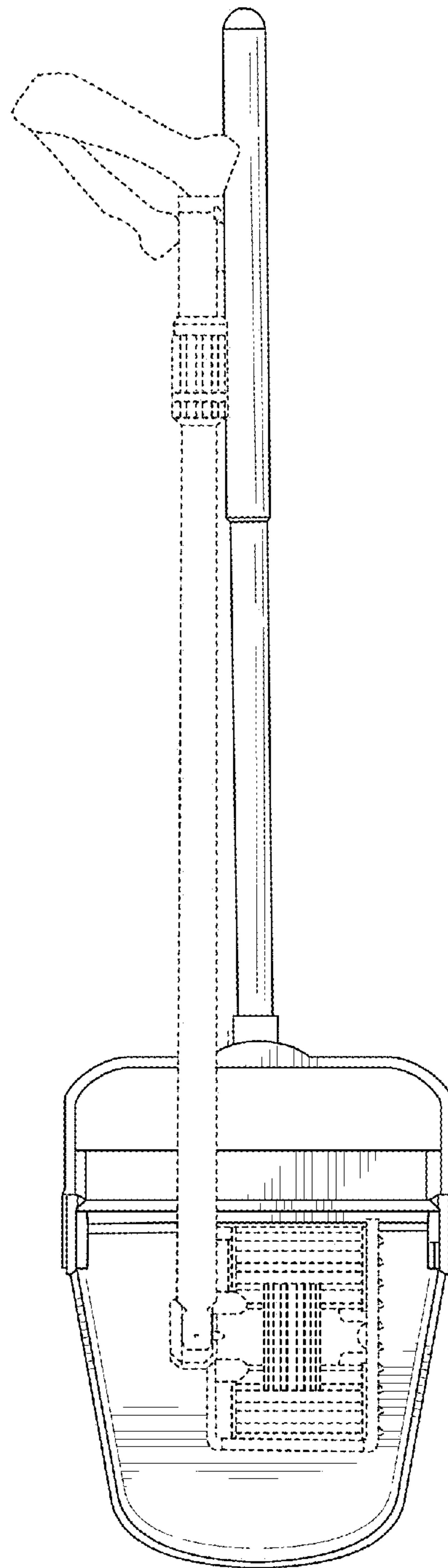


FIG. 4



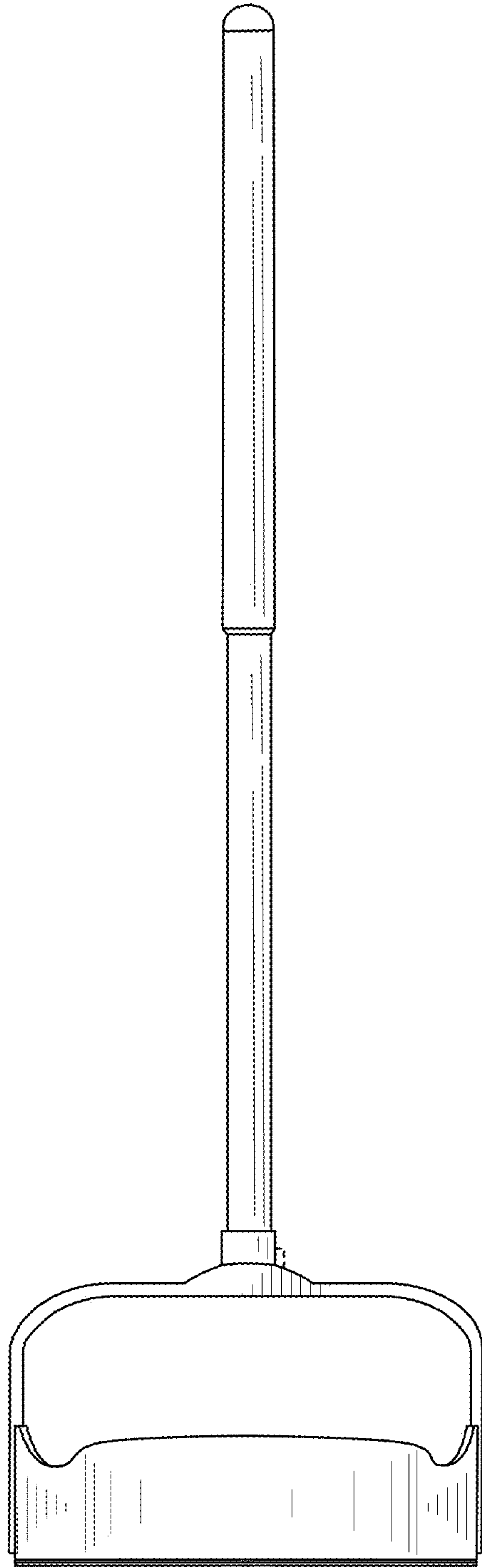


FIG. 5

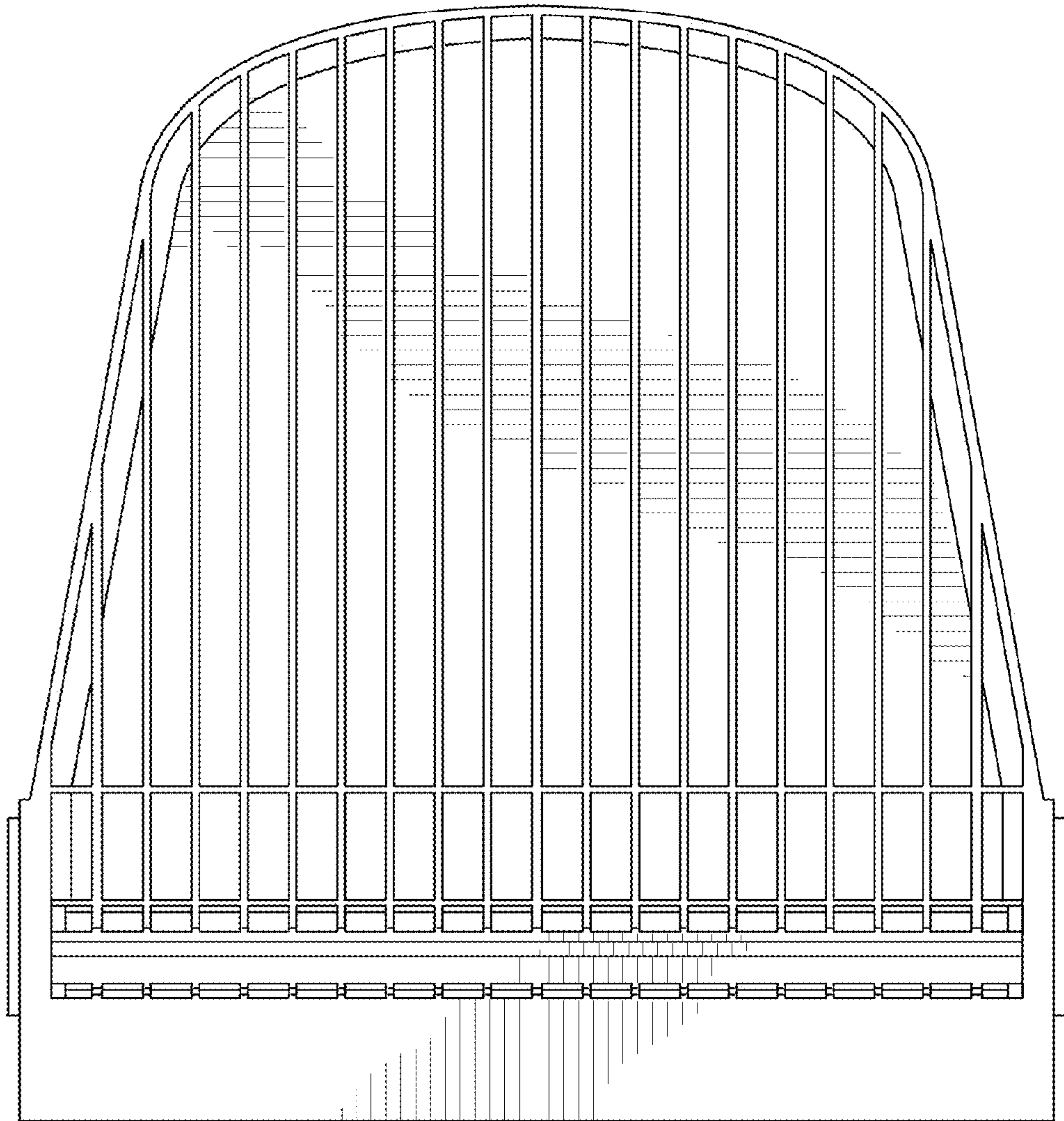


FIG. 6

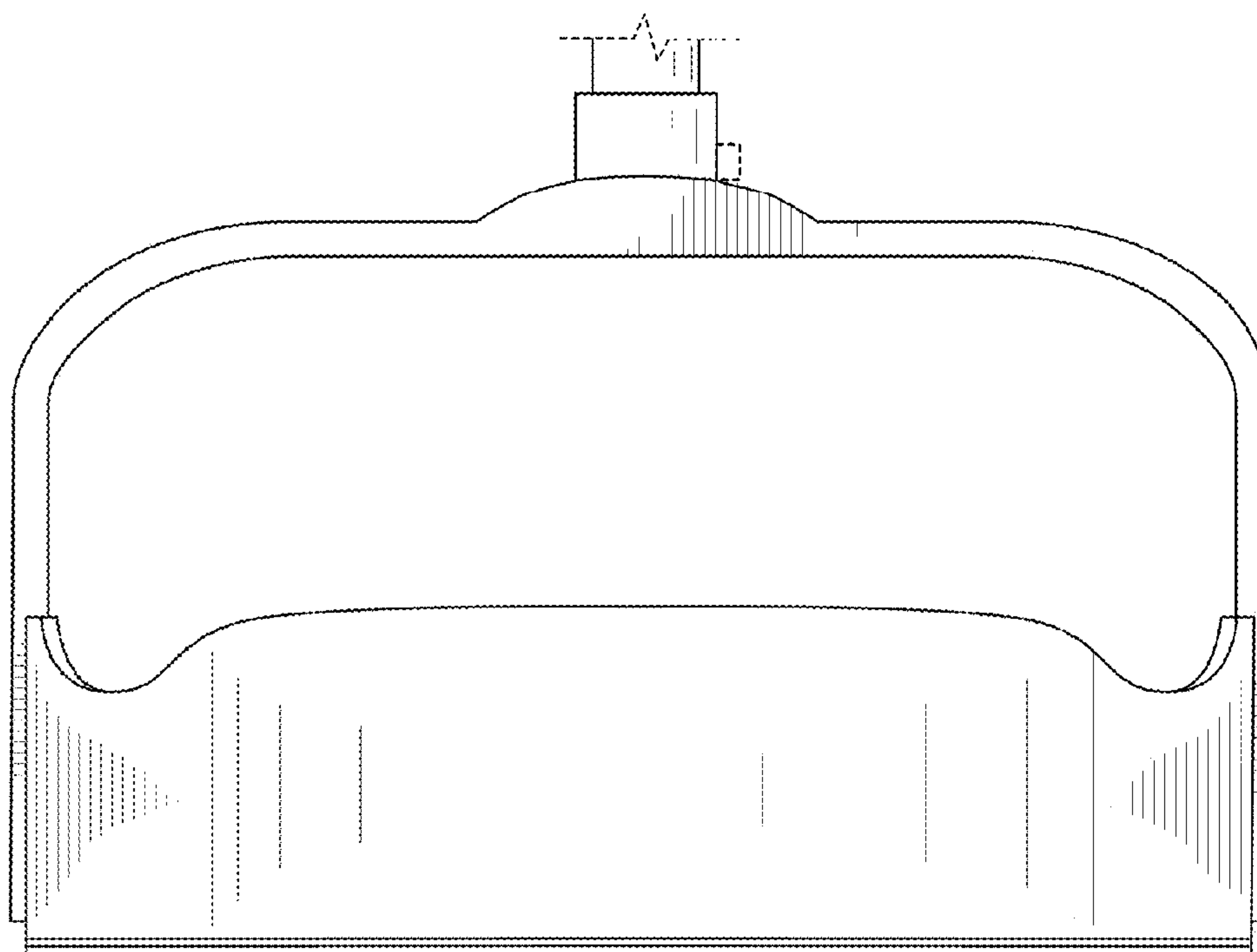


FIG. 7

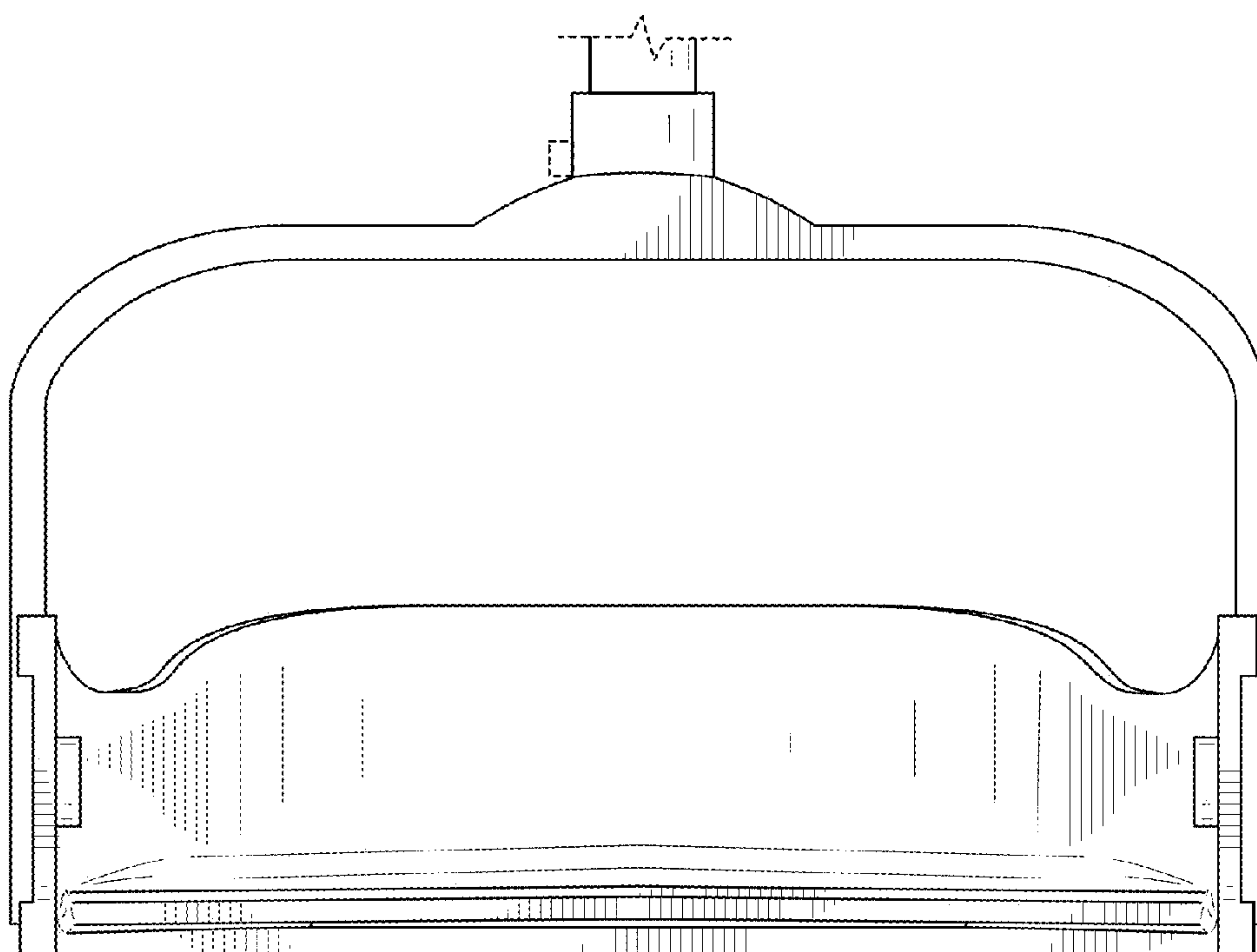


FIG. 8

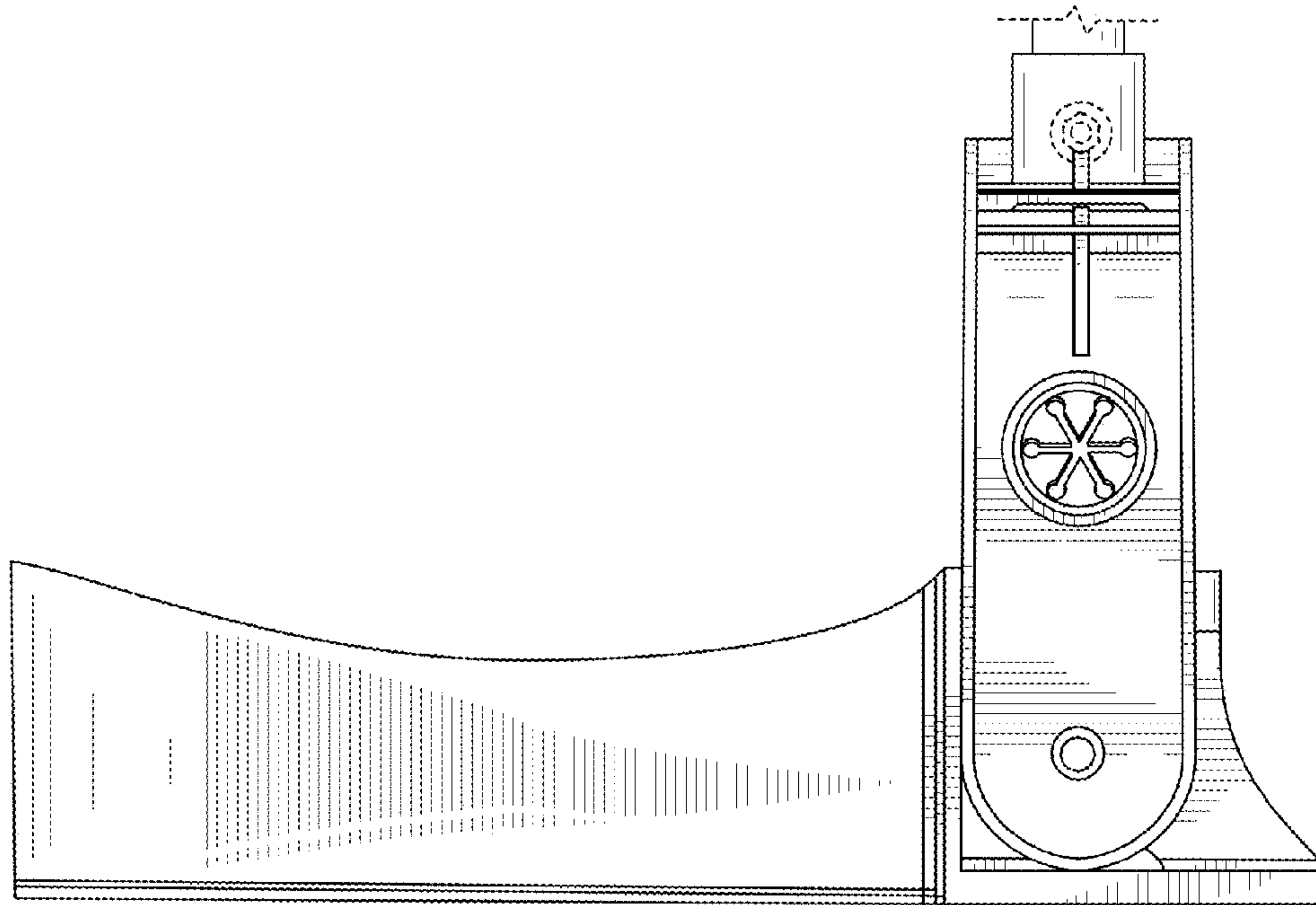


FIG. 9

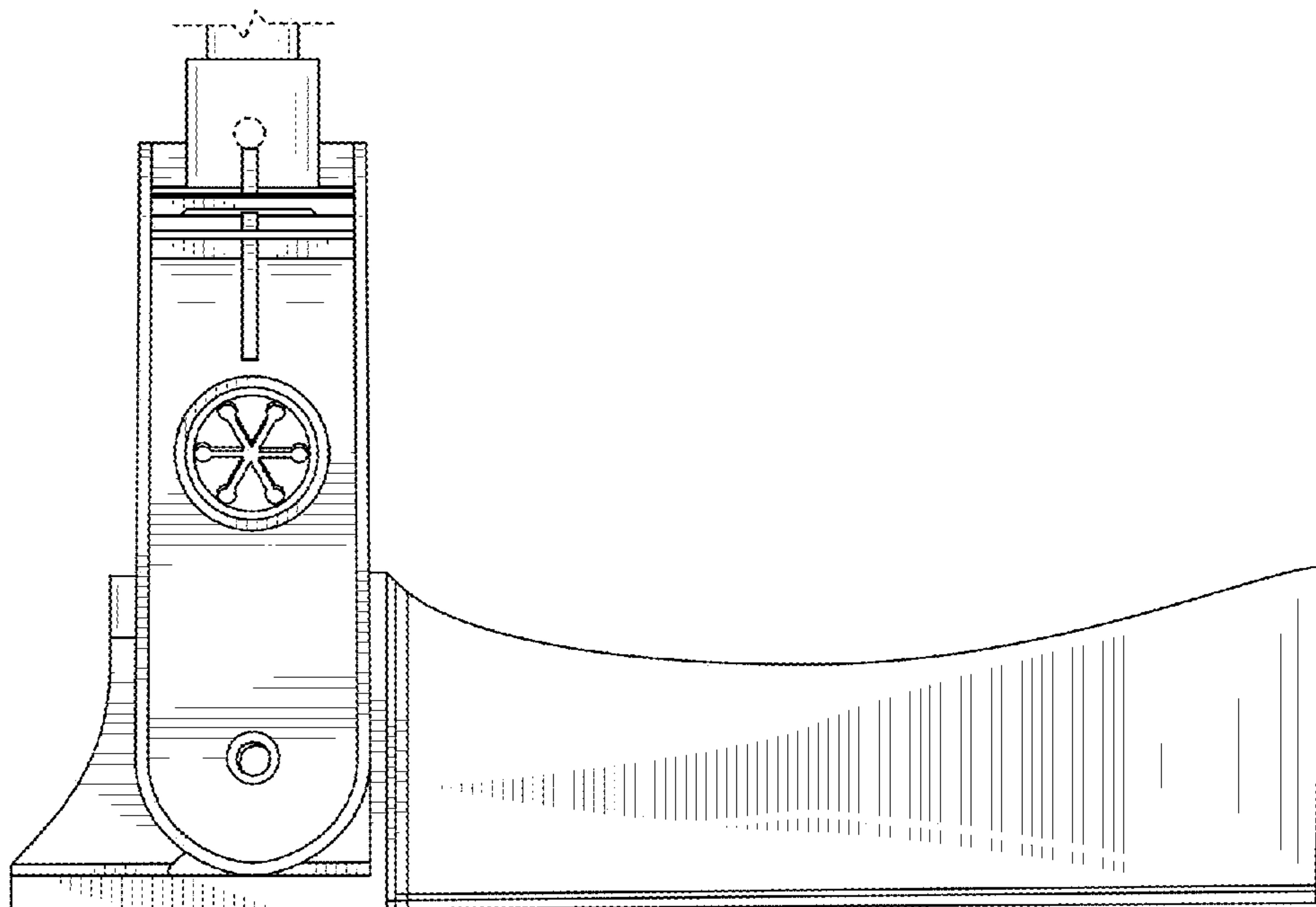


FIG. 10



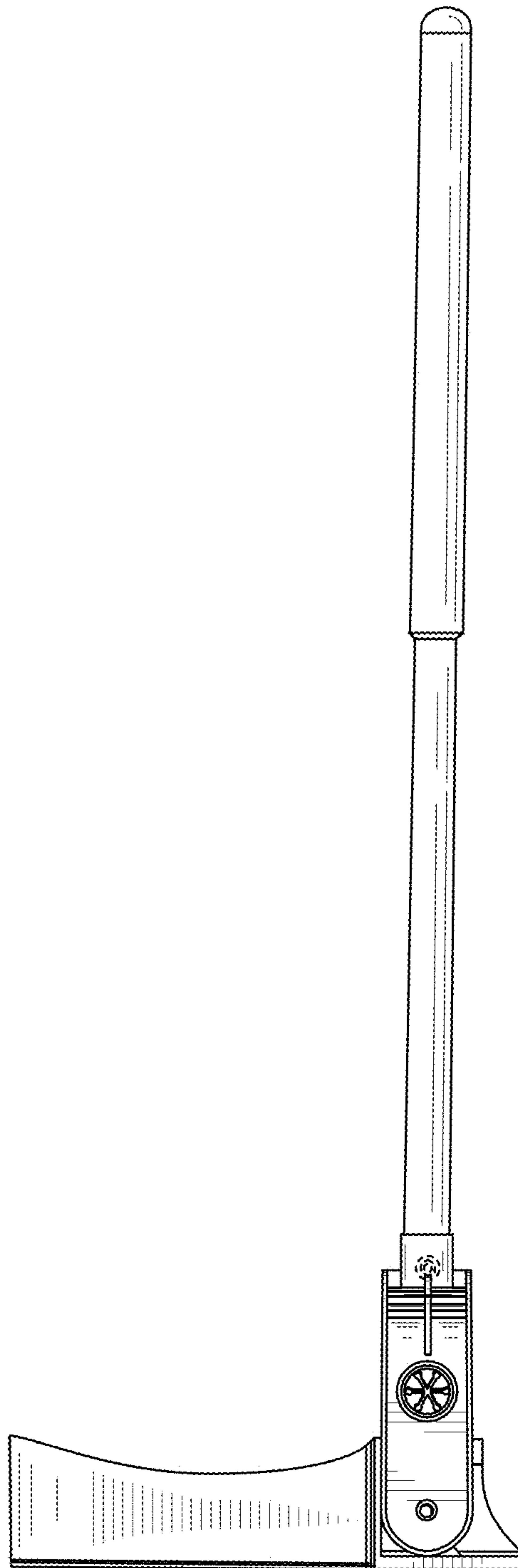


FIG. 11

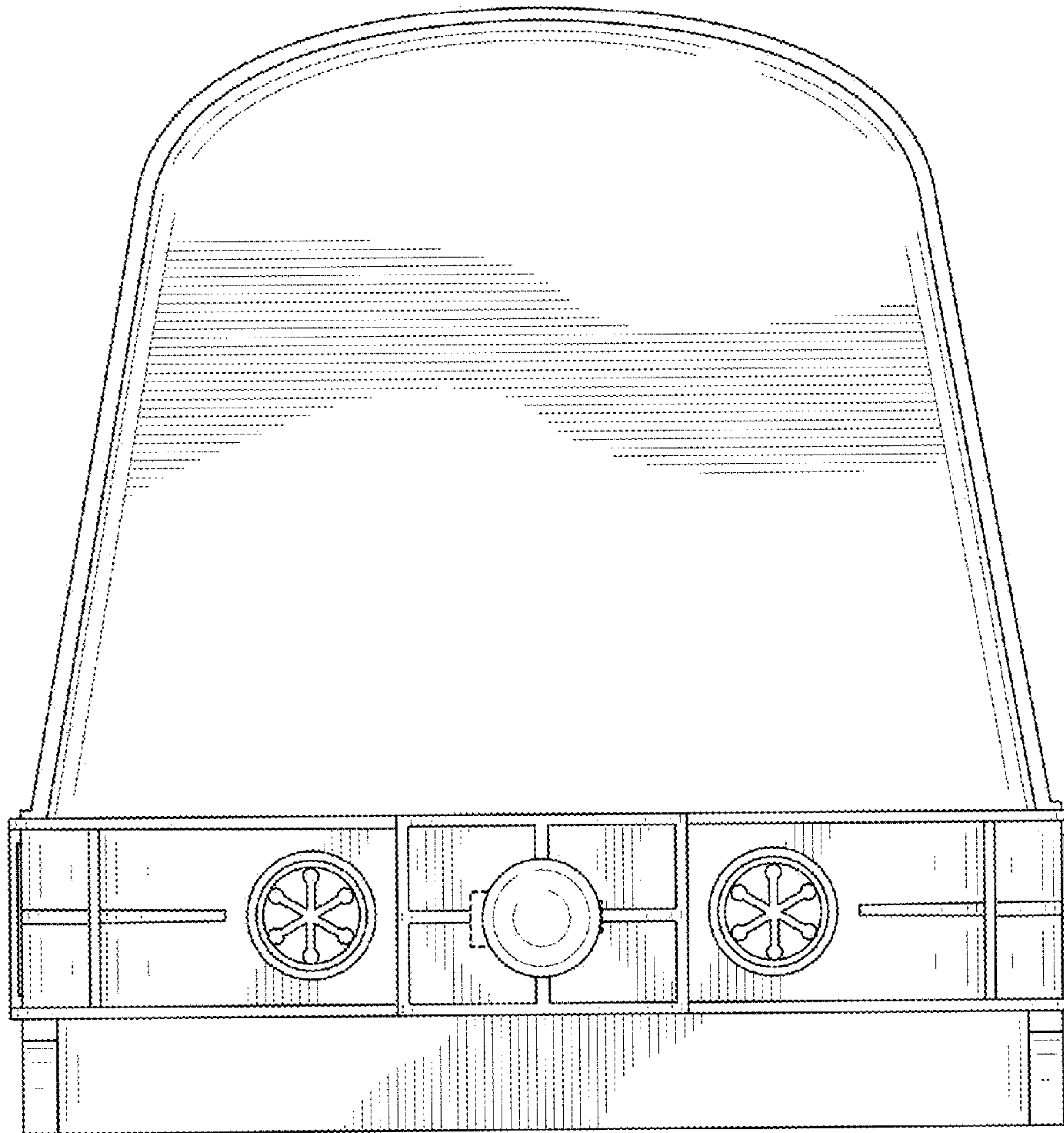


FIG. 12