

US00D695466S

(12) **United States Design Patent**  
**Michaelis**

(10) **Patent No.:** **US D695,466 S**  
(45) **Date of Patent:** **\*\* Dec. 10, 2013**

- (54) **CAT HOUSE**
- (71) Applicant: **Andrew Michaelis**, Cary, IL (US)
- (72) Inventor: **Andrew Michaelis**, Cary, IL (US)
- (\*\*) Term: **14 Years**
- (21) Appl. No.: **29/441,548**
- (22) Filed: **Jan. 7, 2013**
- (51) **LOC (9) Cl.** ..... **30-02**
- (52) **U.S. Cl.**  
USPC ..... **D30/112; D30/118**
- (58) **Field of Classification Search**  
USPC ..... D30/108–109, 112–118, 160–161;  
D6/349, 596–597, 601; 119/28.5,  
119/452–453, 474, 481–482, 489, 491, 494,  
119/497–498, 501, 513–514, 702, 706  
See application file for complete search history.

5,791,293	A *	8/1998	Northrop et al.	119/498
D407,861	S *	4/1999	Teng	D30/112
D433,544	S *	11/2000	Nesbit-Yontz	D30/161
6,758,167	B1 *	7/2004	Edelinski	119/498
D555,293	S *	11/2007	Gourkow	D30/108
7,578,264	B2 *	8/2009	Guard	119/496
D607,610	S *	1/2010	Higashi et al.	D30/118
D685,538	S *	7/2013	Watts	D30/160
2006/0112898	A1 *	6/2006	Fjelstad et al.	119/496
2008/0196675	A1 *	8/2008	Murrer	119/706

\* cited by examiner

*Primary Examiner* — Cathy A MacCormac

(74) *Attorney, Agent, or Firm* — Scherrer Patent & Trademark Law P.C.; Stephen T. Scherrer

(57) **CLAIM**

The ornamental design for a cat house, as shown and described.

**DESCRIPTION**

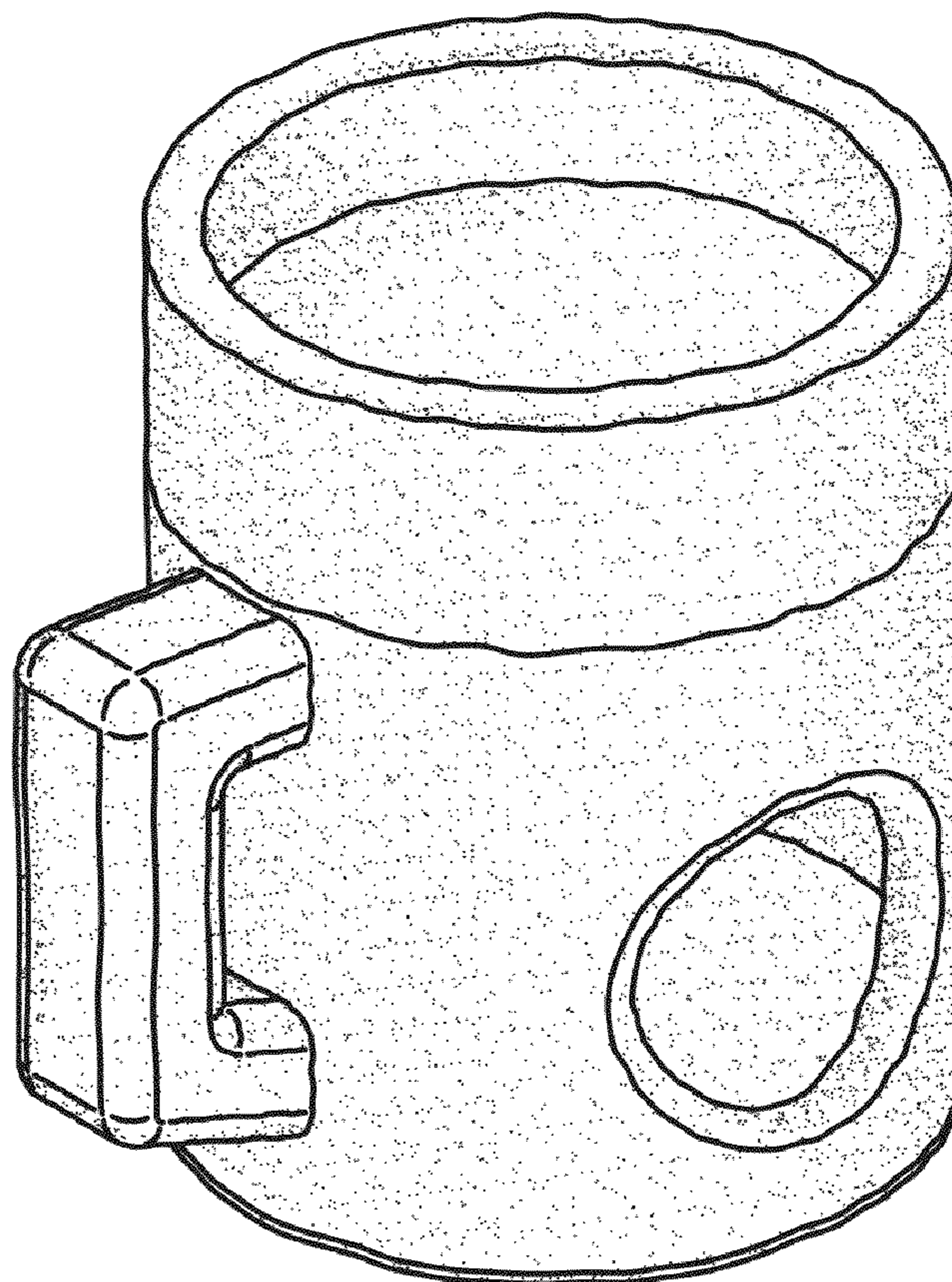
FIG. 1 is an elevated isometric view of a cat house;  
 FIG. 2 is a lower isometric view of a cat house;  
 FIG. 3 is a front view of the cat house;  
 FIG. 4 is a rear view of a cat house;  
 FIG. 5 is a left side view of a cat house;  
 FIG. 6 is a right side view of a cat house;  
 FIG. 7 is a top view of a cat house; and,  
 FIG. 8 is a bottom view of a cat house.

**1 Claim, 4 Drawing Sheets**

(56) **References Cited**

U.S. PATENT DOCUMENTS

D221,558	S *	8/1971	Zimmerman	D30/118
D224,685	S *	8/1972	Michlap et al.	D30/117
D309,046	S *	7/1990	Andersen	D30/112
5,188,063	A *	2/1993	Evans	119/28.5
5,685,258	A *	11/1997	Fricano	119/28.5



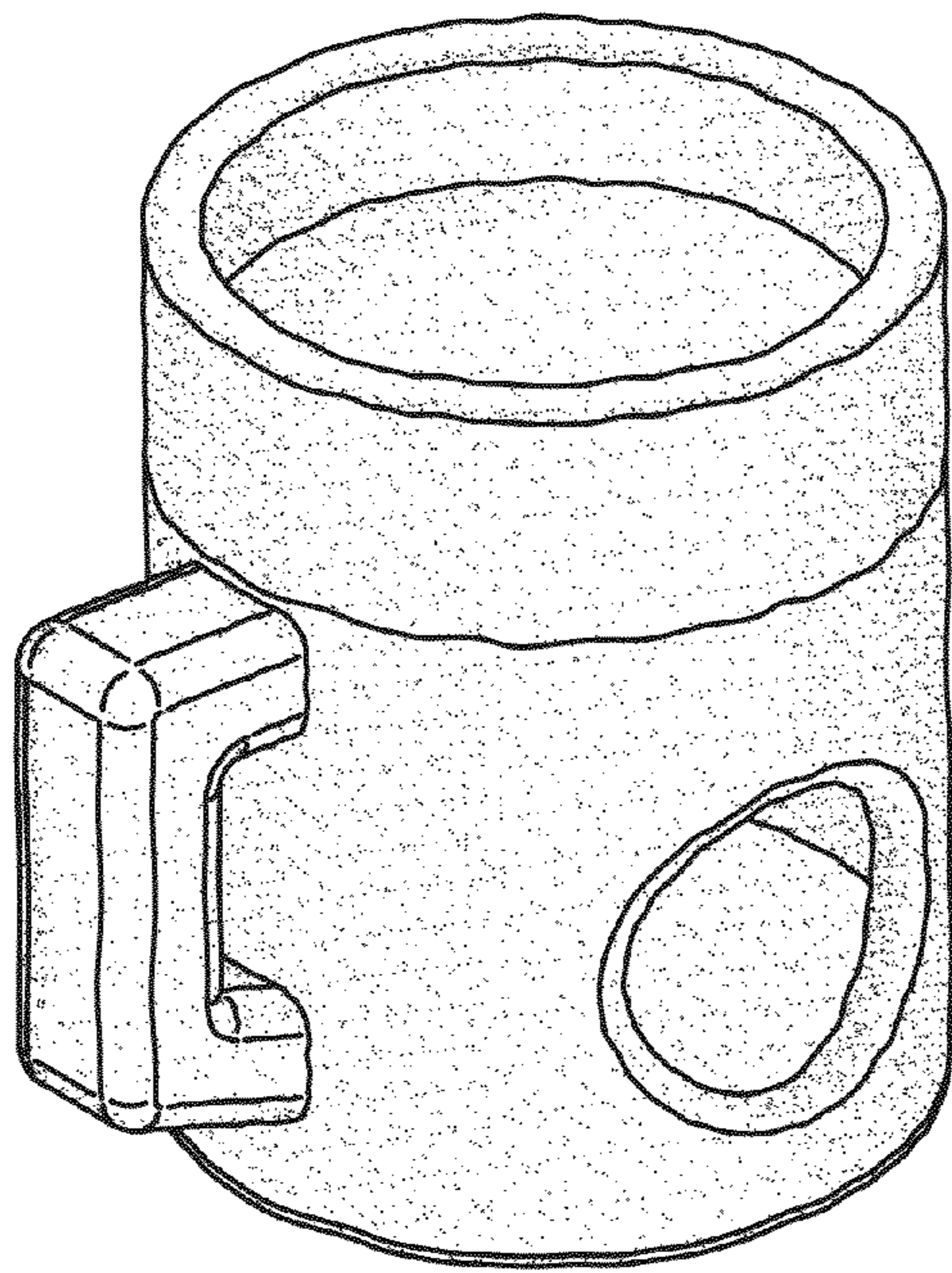


FIG. 1

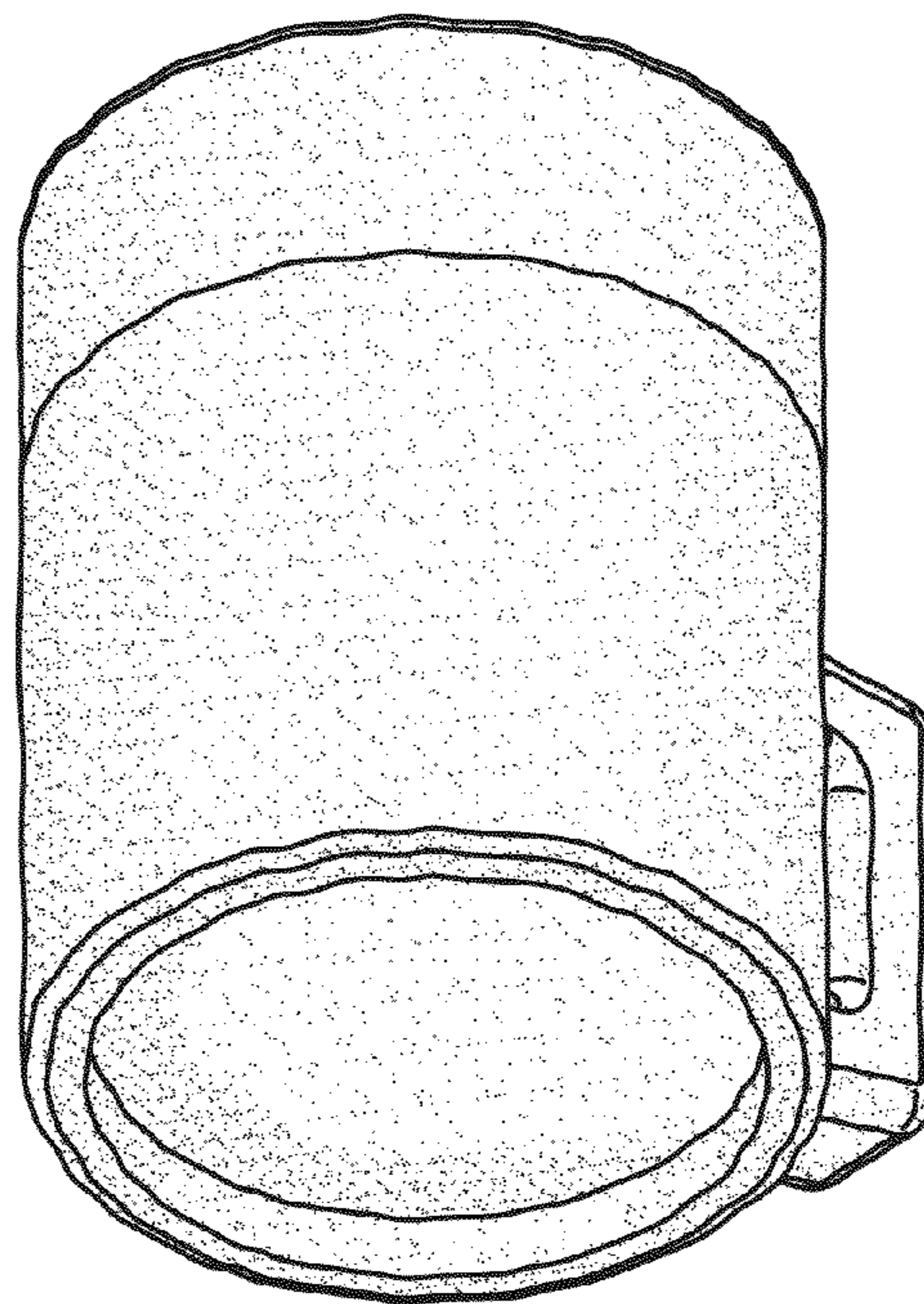


FIG. 2

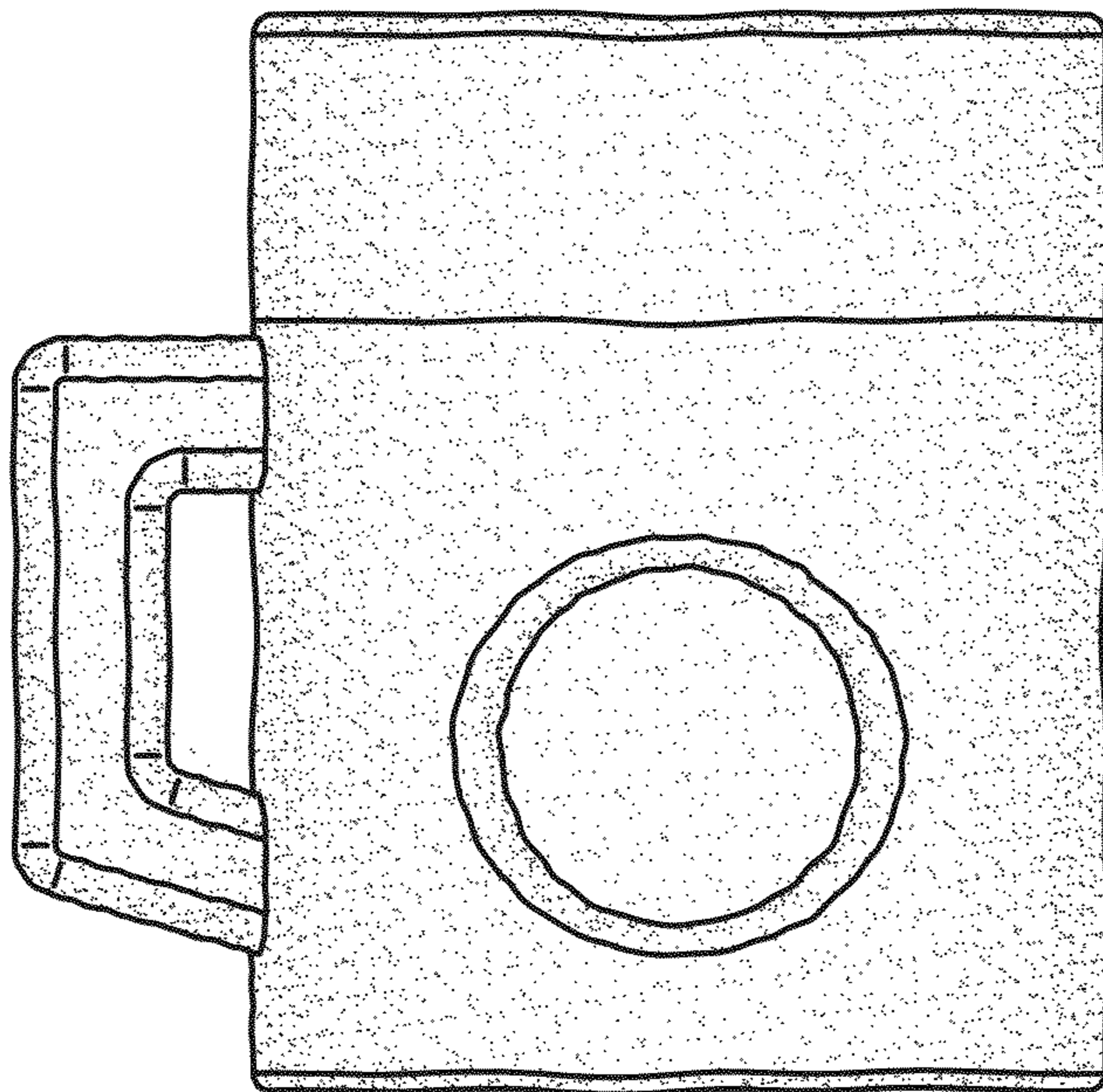


FIG. 3

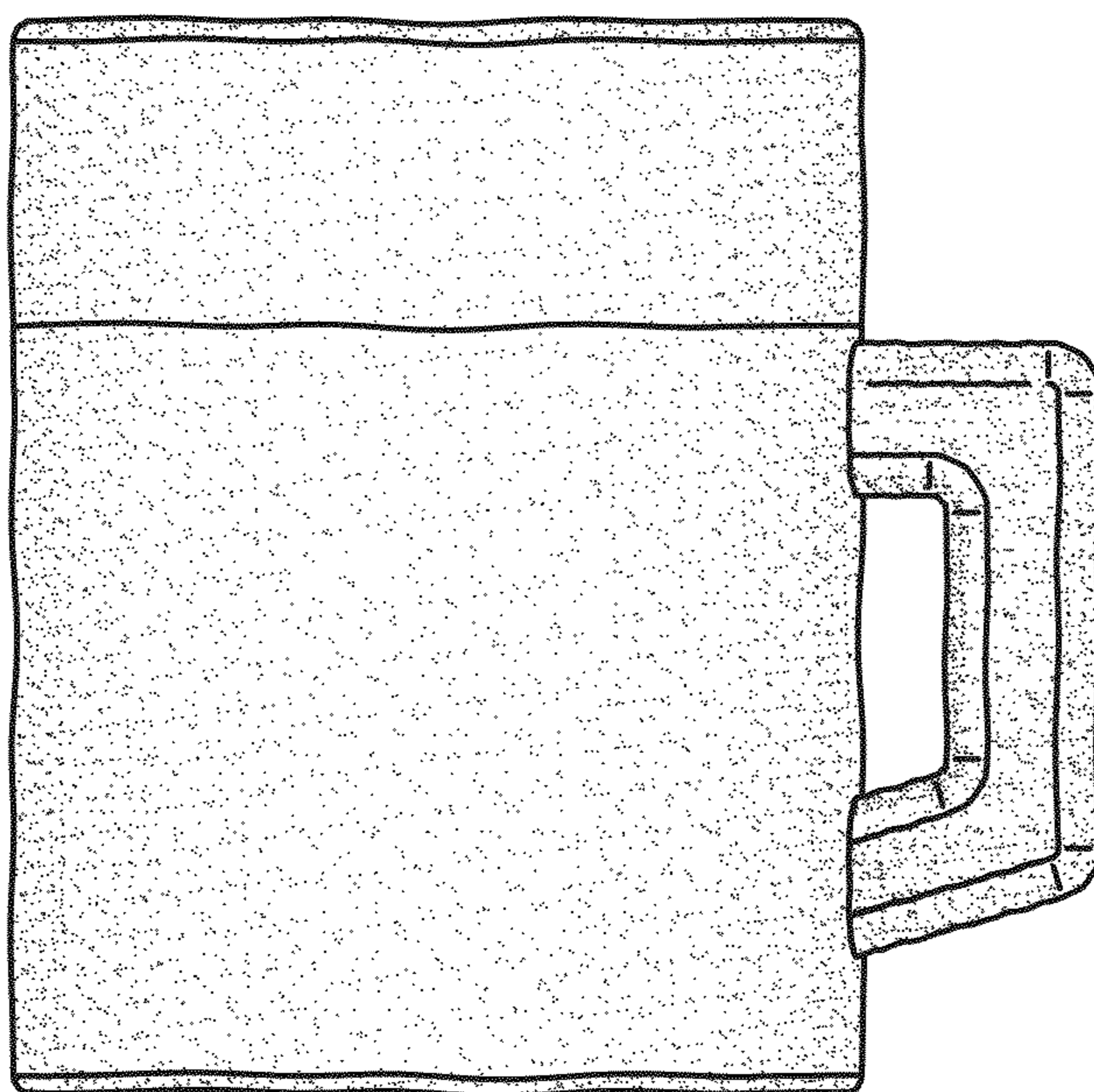


FIG. 4

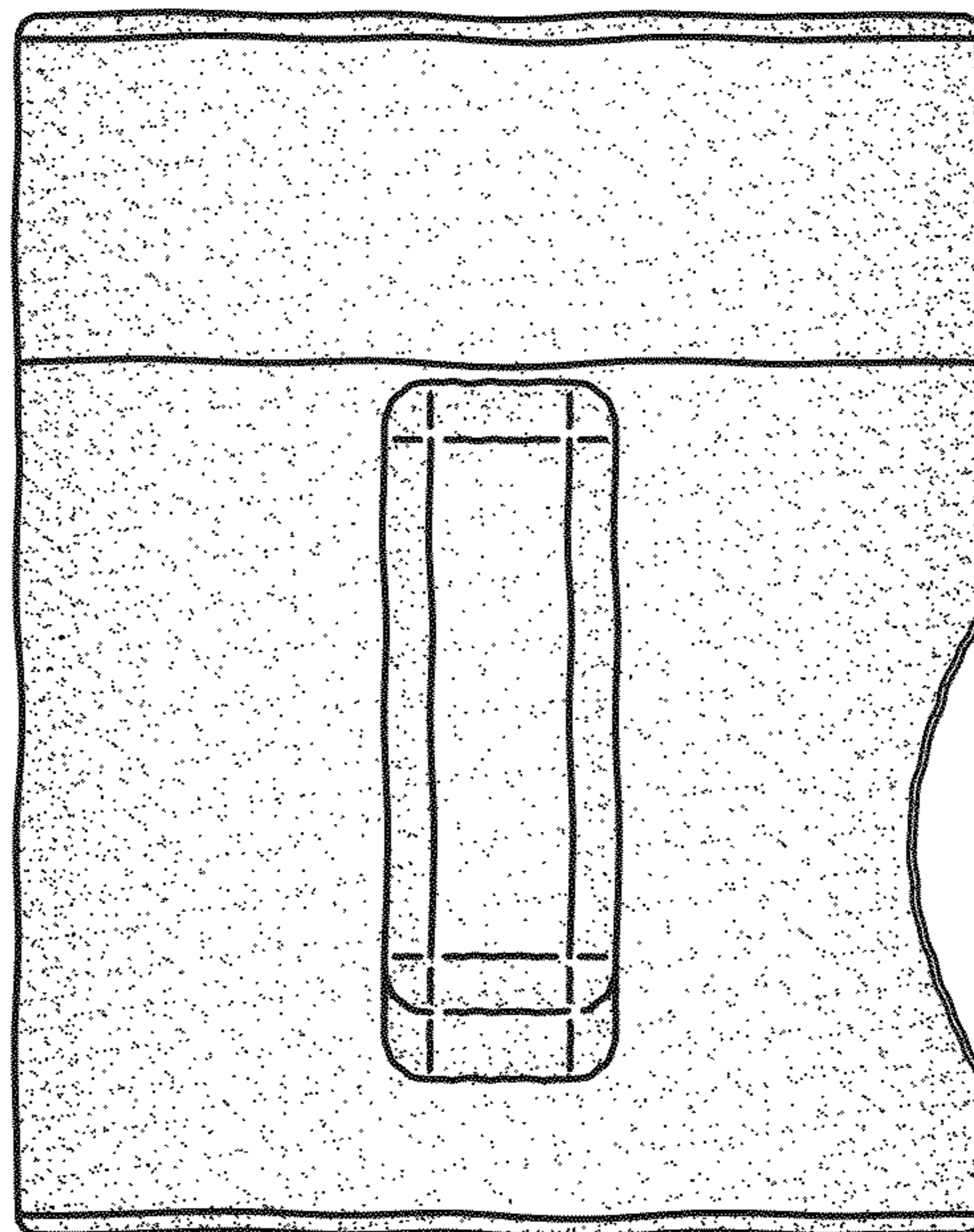


FIG. 5



FIG. 6

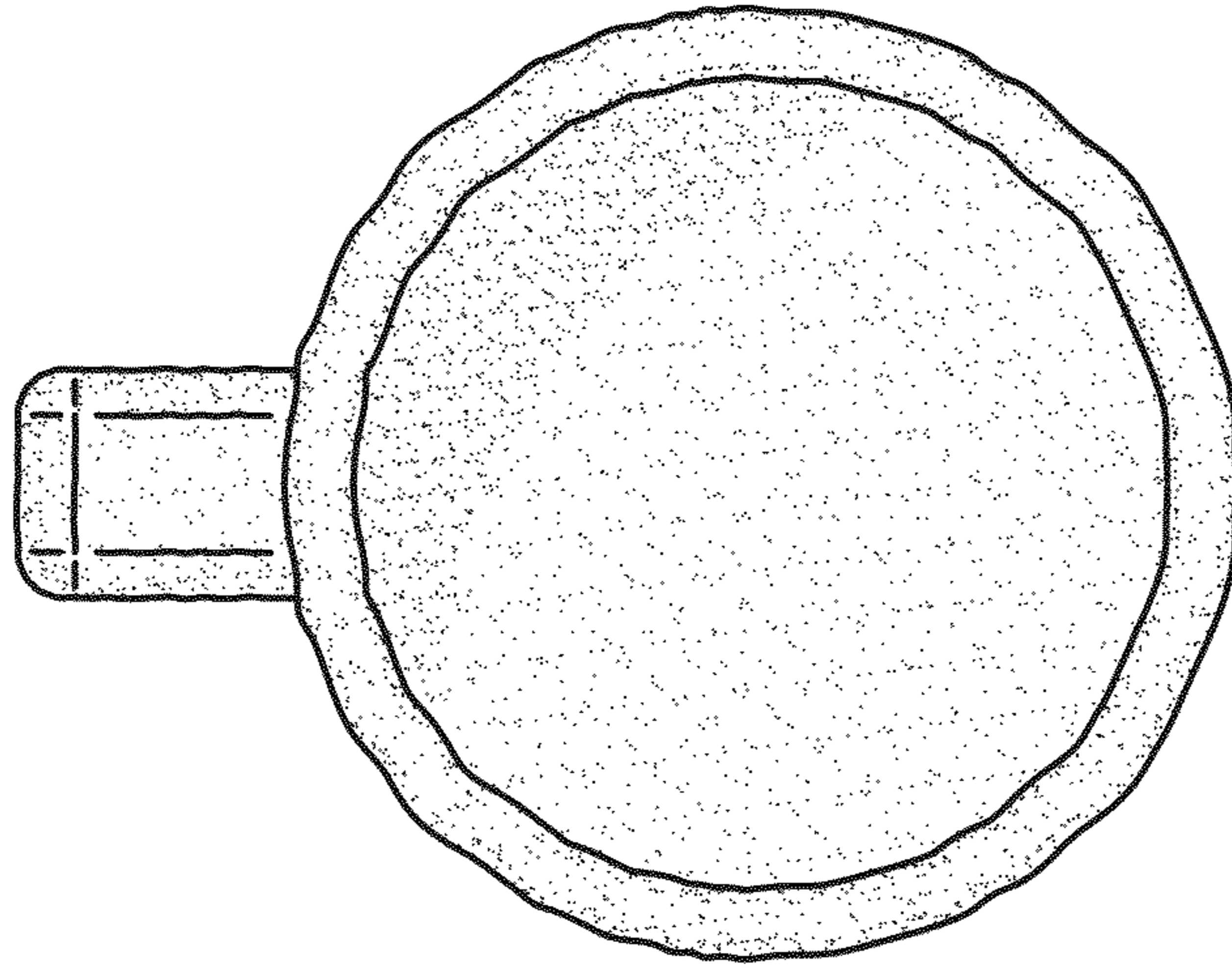


FIG. 7

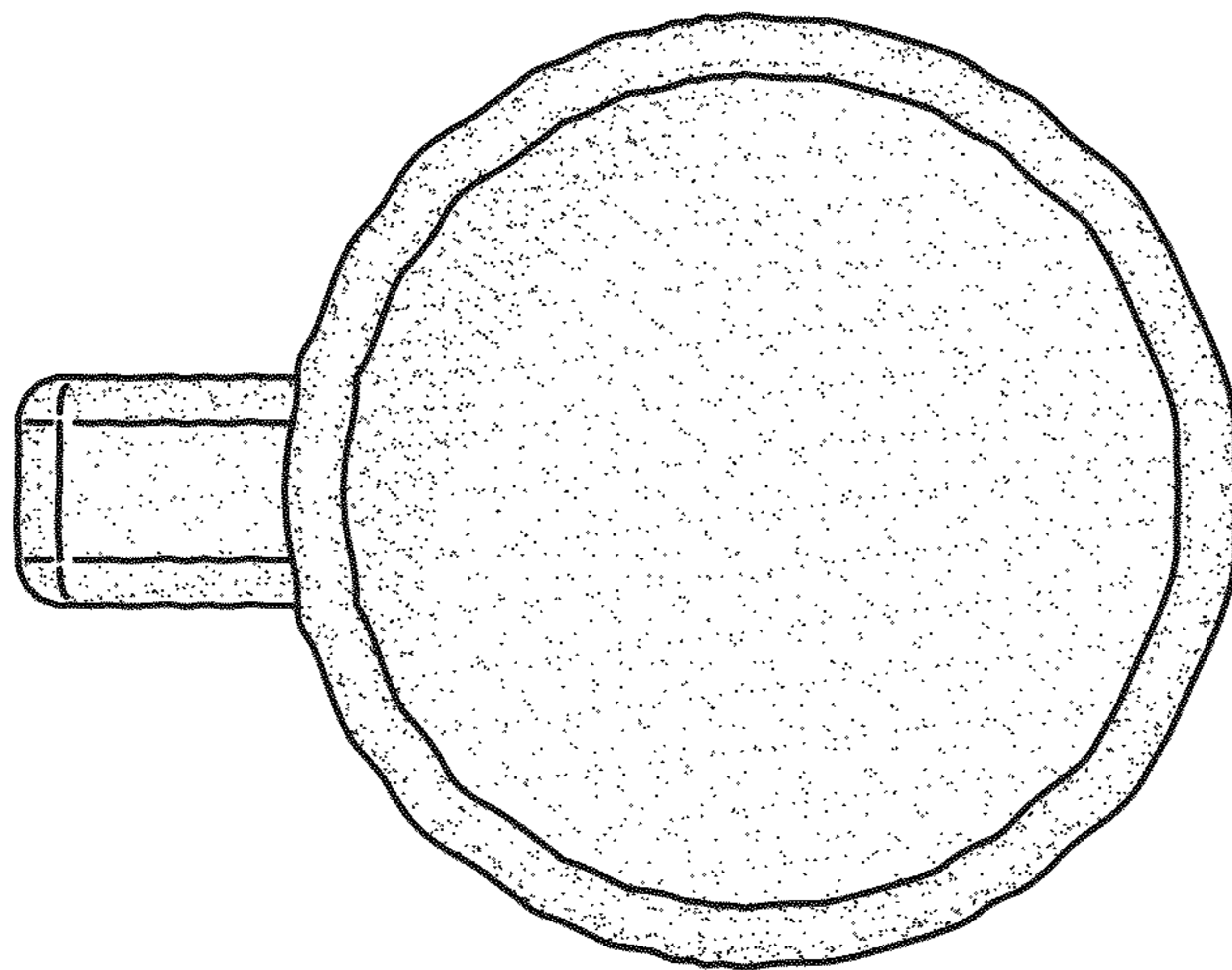


FIG. 8