

US00D695459S

(12) **United States Design Patent**
Jauregui Rodriguez

(10) **Patent No.:** **US D695,459 S**

(45) **Date of Patent:** **** Dec. 10, 2013**

(54) **UMBRELLA HOLDER**

(56) **References Cited**

(76) Inventor: **Jose Jauregui Rodriguez**, Woodland,
CA (US)

(**) Term: **14 Years**

(21) Appl. No.: **29/373,155**

(22) Filed: **May 6, 2011**

(51) **LOC (9) Cl.** **09-03**

(52) **U.S. Cl.**
USPC **D29/100**

(58) **Field of Classification Search**
USPC D29/100, 101, 102, 103; 160/38, 39,
160/84.01, 84.04, 84.05, 330; D13/180;
D6/575, 577, 578, 579, 580; D3/5, 6;
135/16, 143; 220/475; 277/312

See application file for complete search history.

U.S. PATENT DOCUMENTS

4,775,180	A *	10/1988	Phillips	160/84.04
8,181,811	B1 *	5/2012	Blake	220/475
RE43,484	E *	6/2012	Browne	D3/5
D662,312	S *	6/2012	Kutz	D3/5
8,191,561	B2 *	6/2012	Brooks, III	135/16
8,196,931	B2 *	6/2012	Burgess	277/312
8,205,628	B2 *	6/2012	Maginot	135/143

* cited by examiner

Primary Examiner — Susan Bennett Hattan

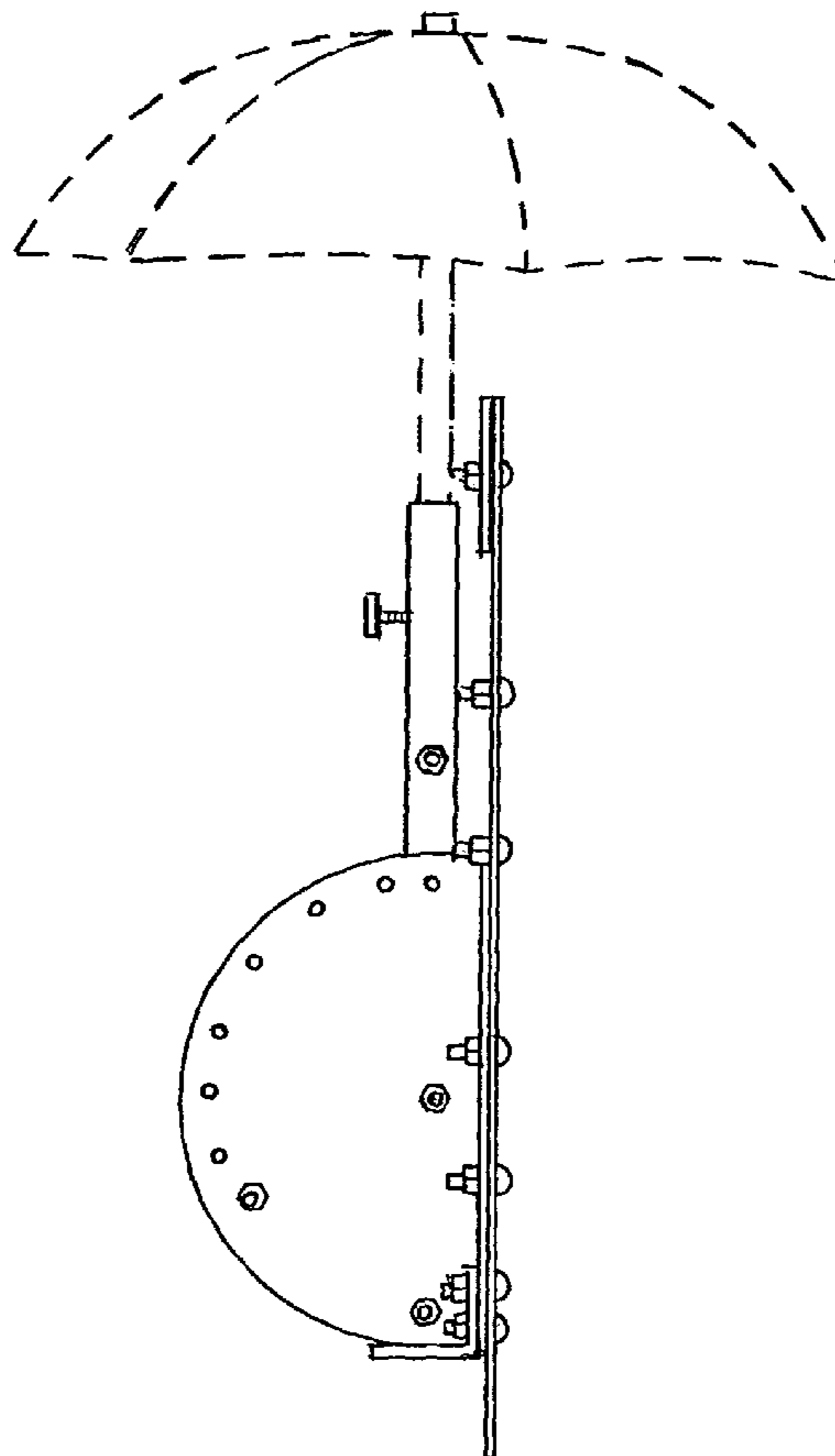
(57) **CLAIM**

I claim the ornamental design for an umbrella holder, as shown and described.

DESCRIPTION

FIG. 1 is a back view of my invention;
FIG. 2 is side view thereof;
FIG. 3 is a front view thereof; and,
FIG. 4 is a side view thereof, showing the umbrella holder in use with an umbrella, the umbrella being shown in broken lines and forming no part of the claimed design.

1 Claim, 3 Drawing Sheets



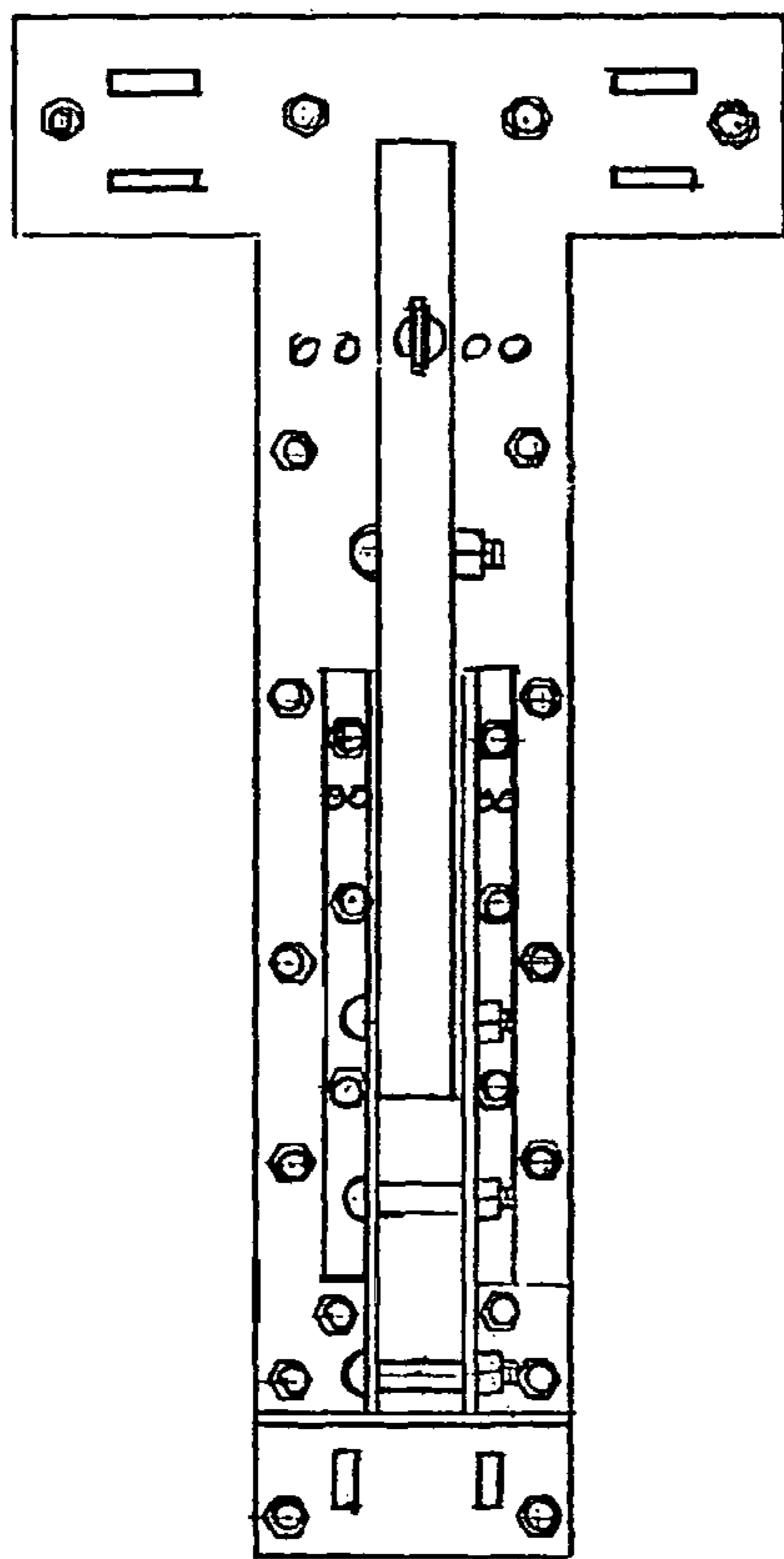


FIGURE 1

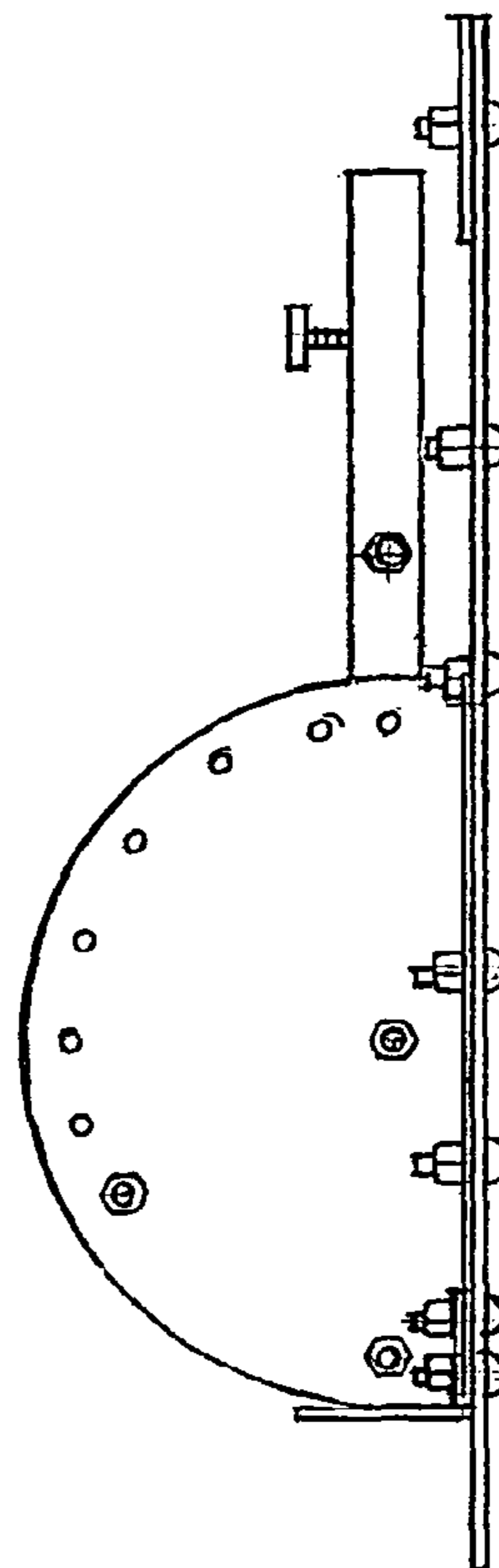


FIGURE 2

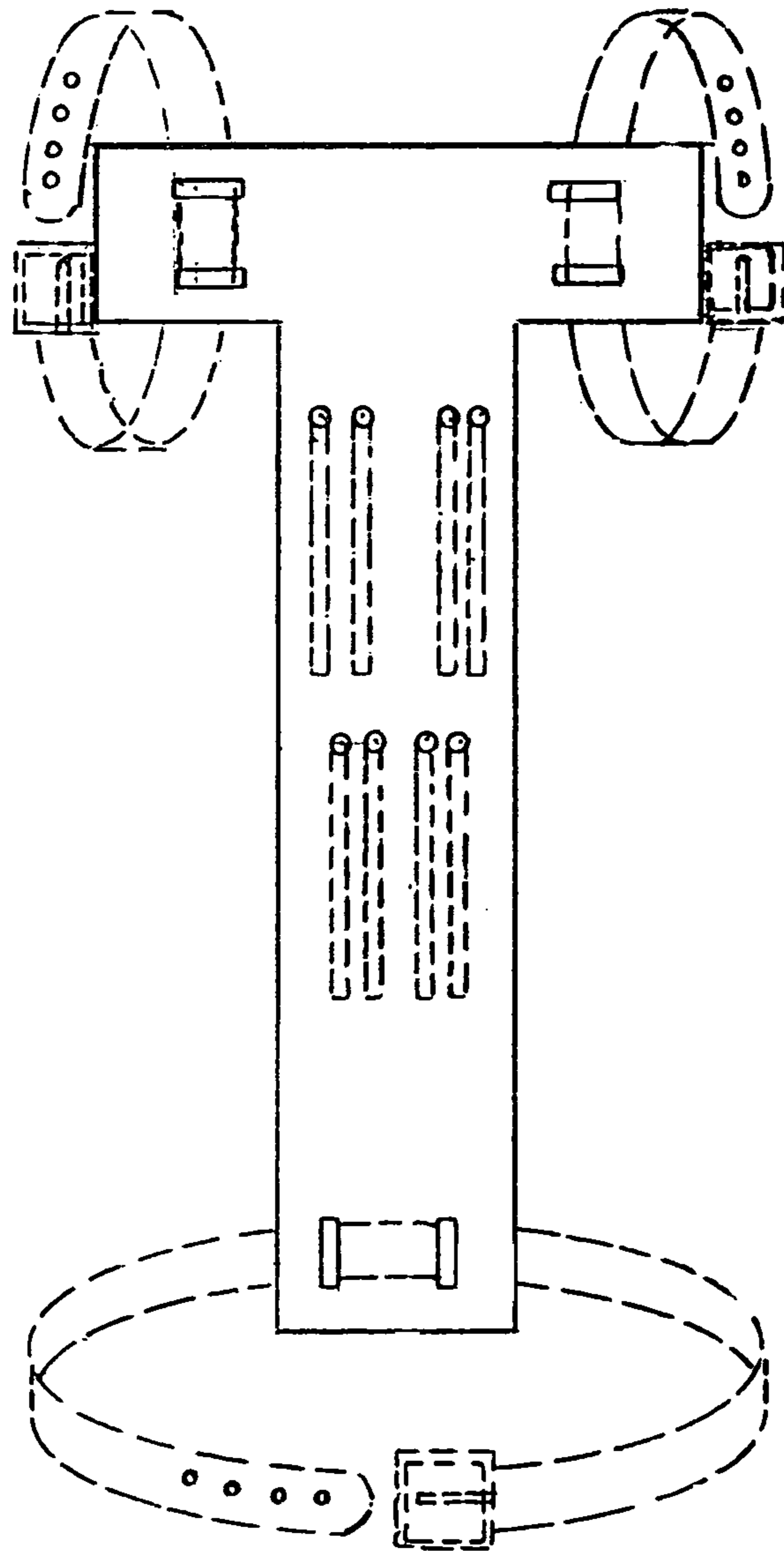


FIGURE 3

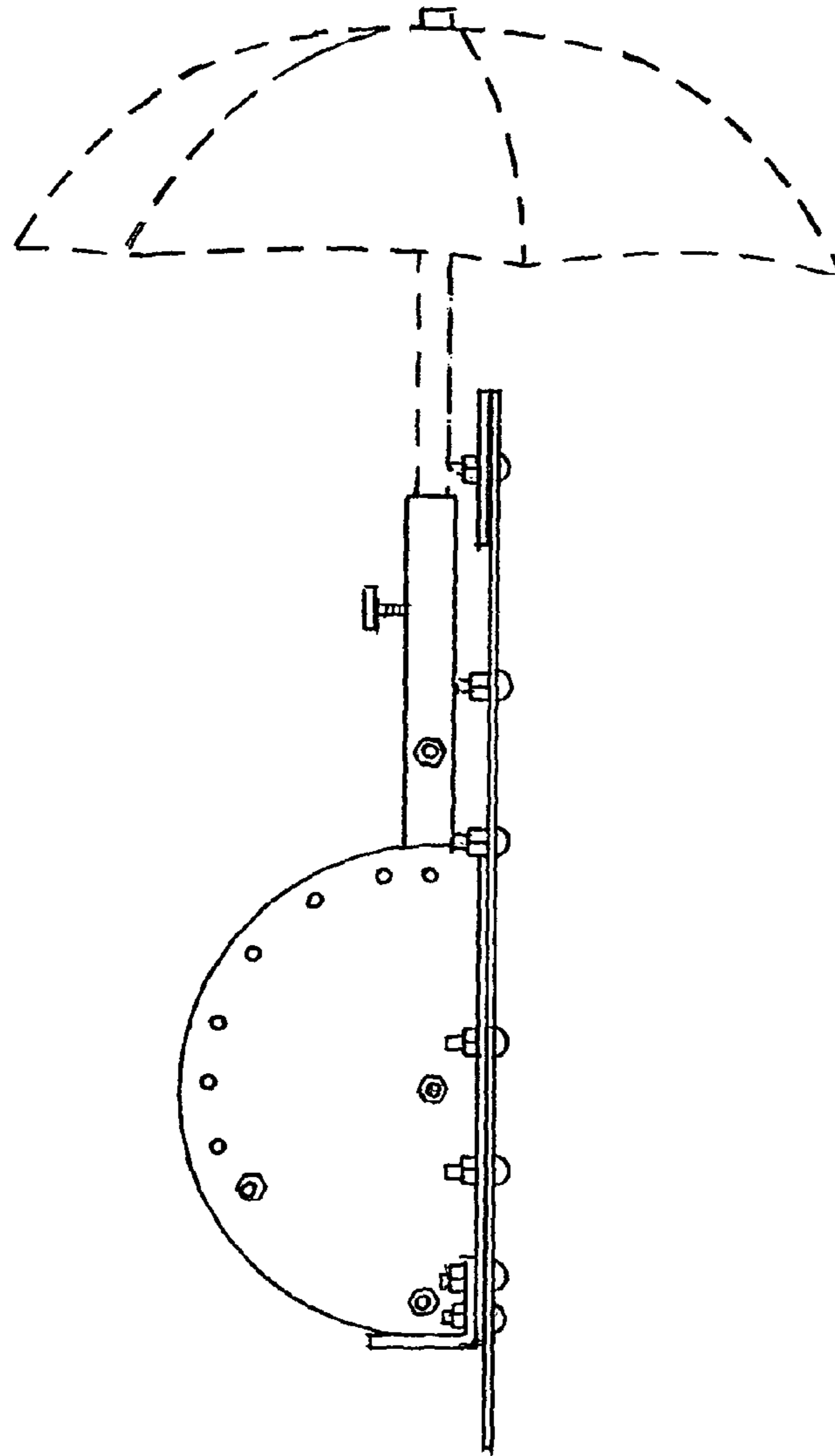


FIGURE 4