



US00D695456S

(12) **United States Design Patent**  
**Moore**

(10) **Patent No.:** **US D695,456 S**

(45) **Date of Patent:** **\*\* Dec. 10, 2013**

(54) **HAIR HOLDING DEVICE**

(71) Applicant: **Patricia Lynn Moore**, Geneva (CH)

(72) Inventor: **Patricia Lynn Moore**, Geneva (CH)

(\*\*) Term: **14 Years**

(21) Appl. No.: **29/435,492**

(22) Filed: **Oct. 24, 2012**

(51) **LOC (9) Cl.** ..... **28-03**

(52) **U.S. Cl.**  
USPC ..... **D28/41**

(58) **Field of Classification Search**  
USPC ..... D11/3-6; D28/21-34, 39-43; 132/101,  
132/126, 128-131, 144, 219, 275-284  
See application file for complete search history.

(56) **References Cited**

**U.S. PATENT DOCUMENTS**

1,146,934	A *	7/1915	Gleeson	.....	132/273
4,998,186	A *	3/1991	Cocca	.....	362/103
5,230,355	A *	7/1993	Weingrod	.....	132/275
2005/0056298	A1 *	3/2005	McRoberts	.....	132/276

2006/0260634	A1 *	11/2006	Henricksen et al.	.....	132/275
2008/0072922	A1 *	3/2008	Shidler	.....	132/275
2008/0099035	A1 *	5/2008	Ellegard	.....	132/275
2012/0042895	A1 *	2/2012	Hsu	.....	132/275
2013/0014777	A1 *	1/2013	Moore	.....	132/275

\* cited by examiner

*Primary Examiner* — Zenia Bennett

(74) *Attorney, Agent, or Firm* — Bauman, Dow & León, P.C.; Alberto A. León; Simone M. Seiler

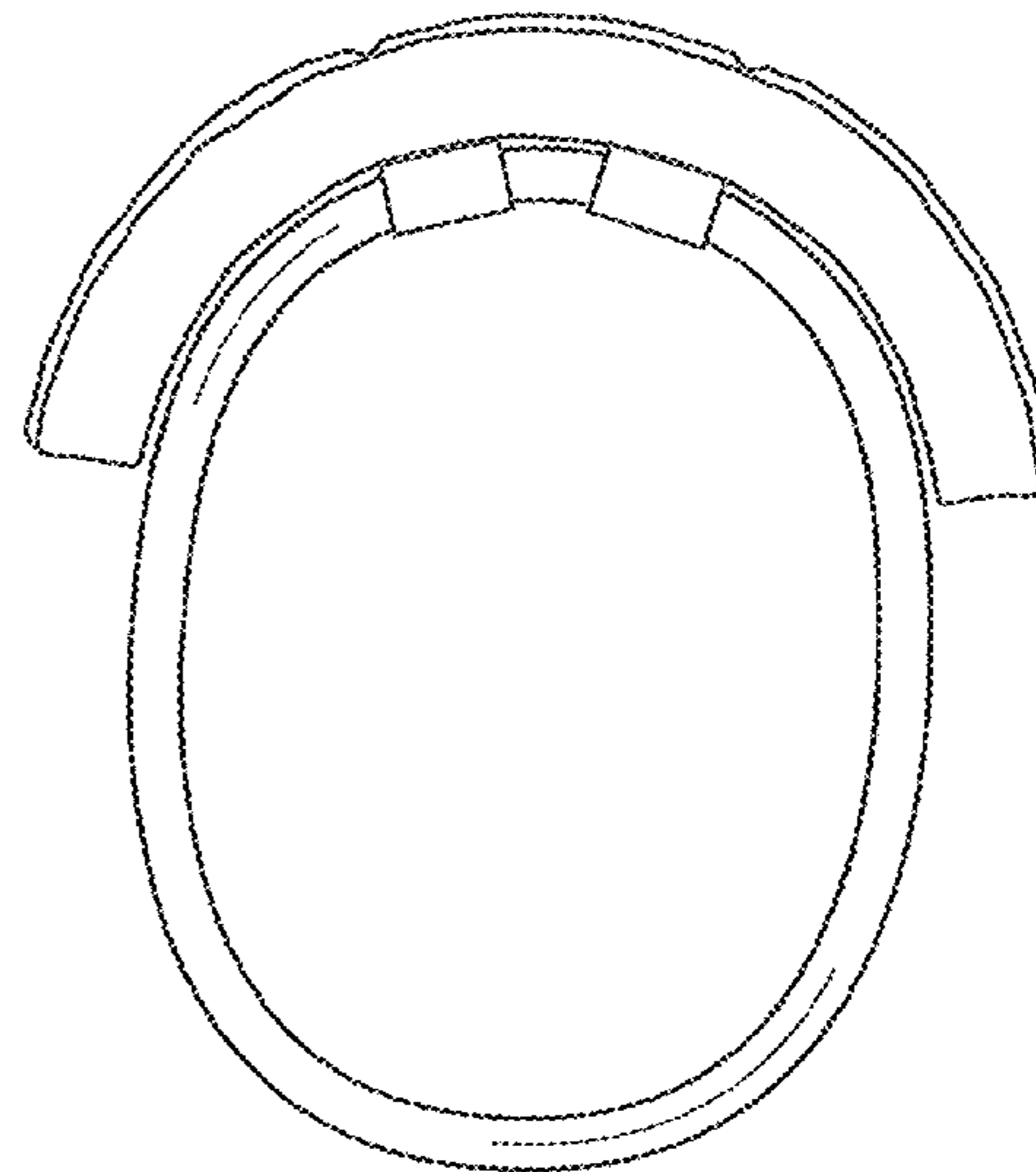
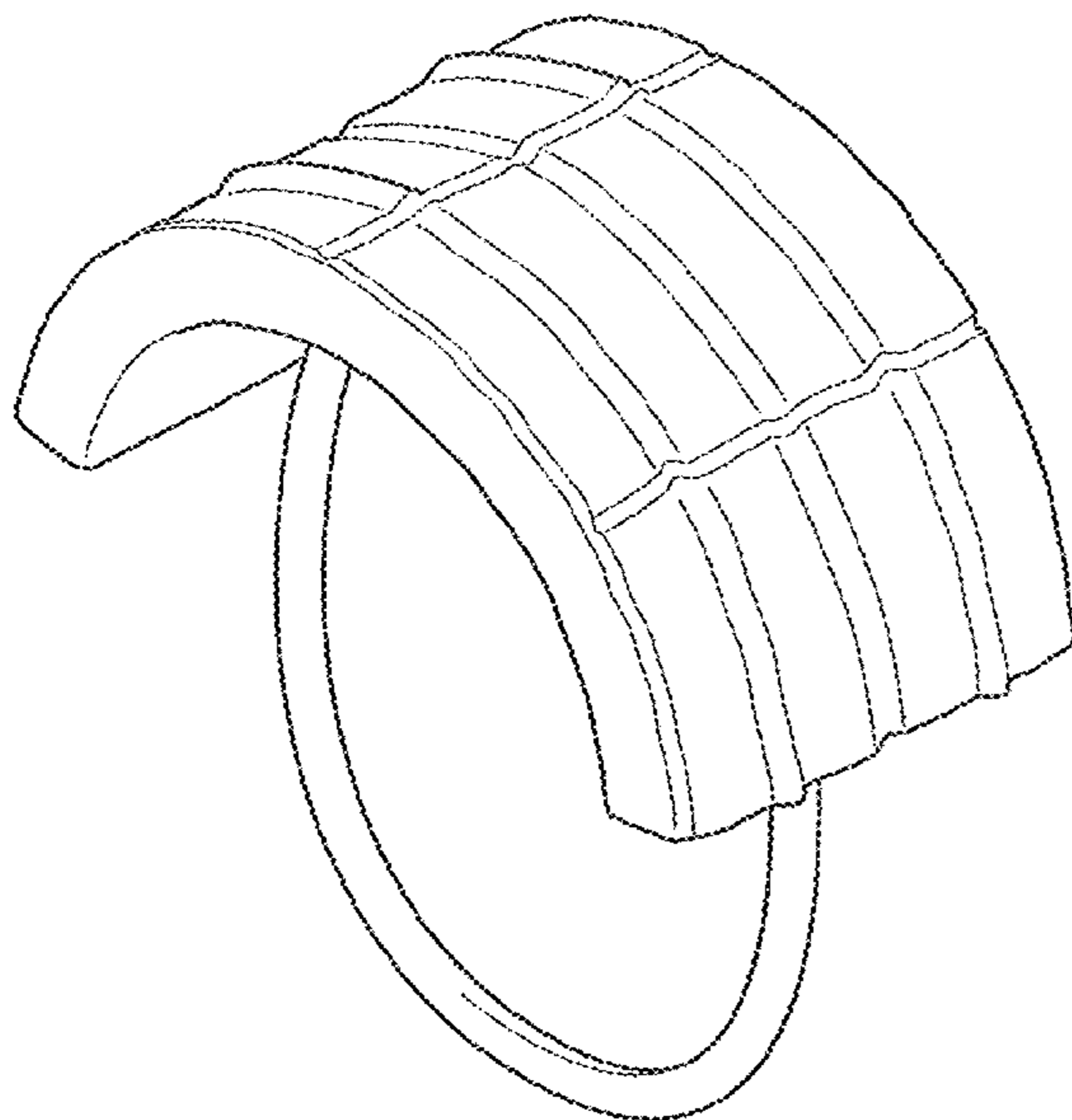
(57) **CLAIM**

The ornamental design for a hair holding device, as shown and described.

**DESCRIPTION**

FIG. 1 is a perspective view;  
FIG. 2 is a front elevational view;  
FIG. 3 is a rear elevational view;  
FIG. 4 is first side view;  
FIG. 5 is a second side view;  
FIG. 6 is a top view; and,  
FIG. 7 is a bottom view.

**1 Claim, 7 Drawing Sheets**



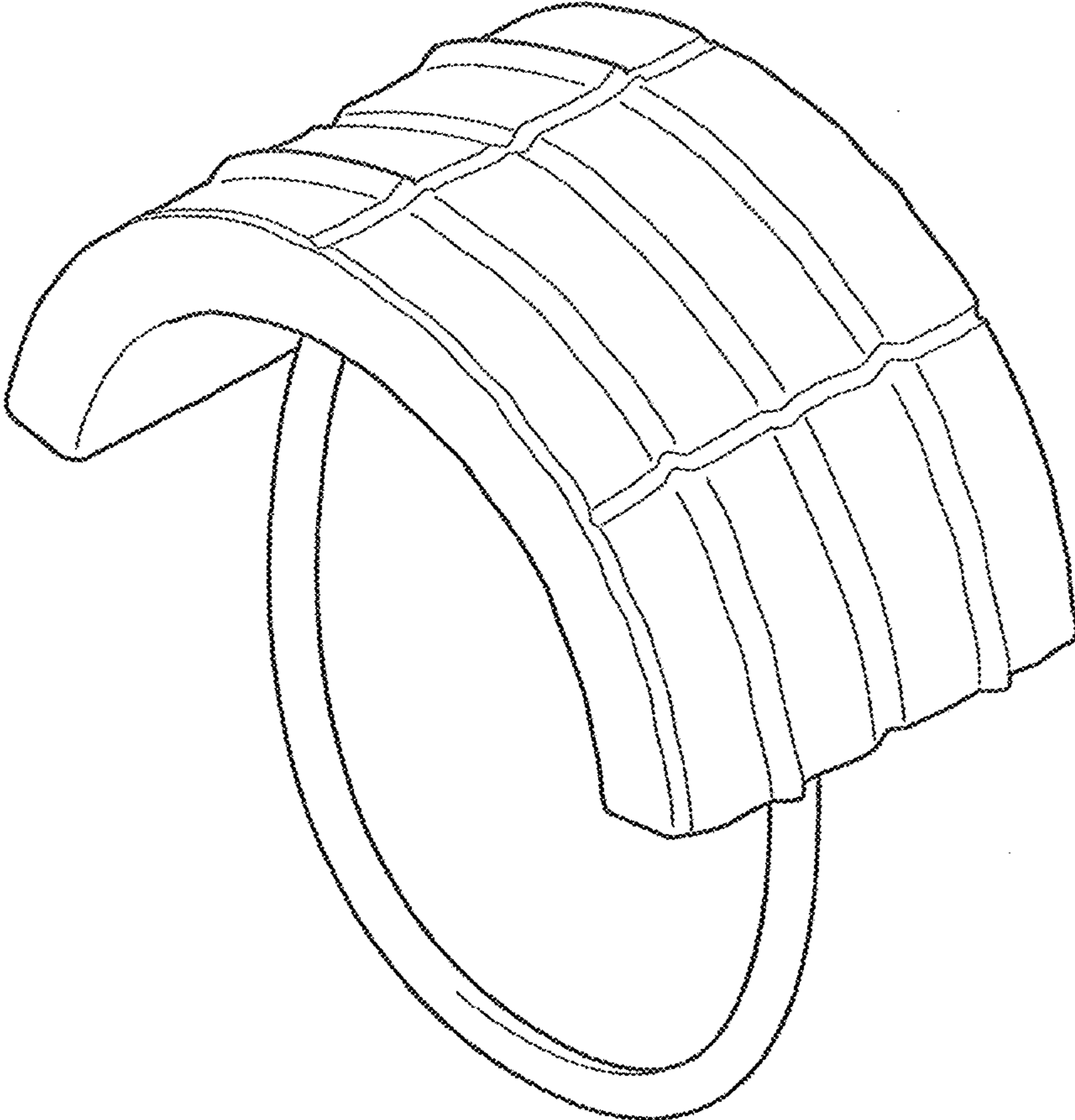


FIG. 1

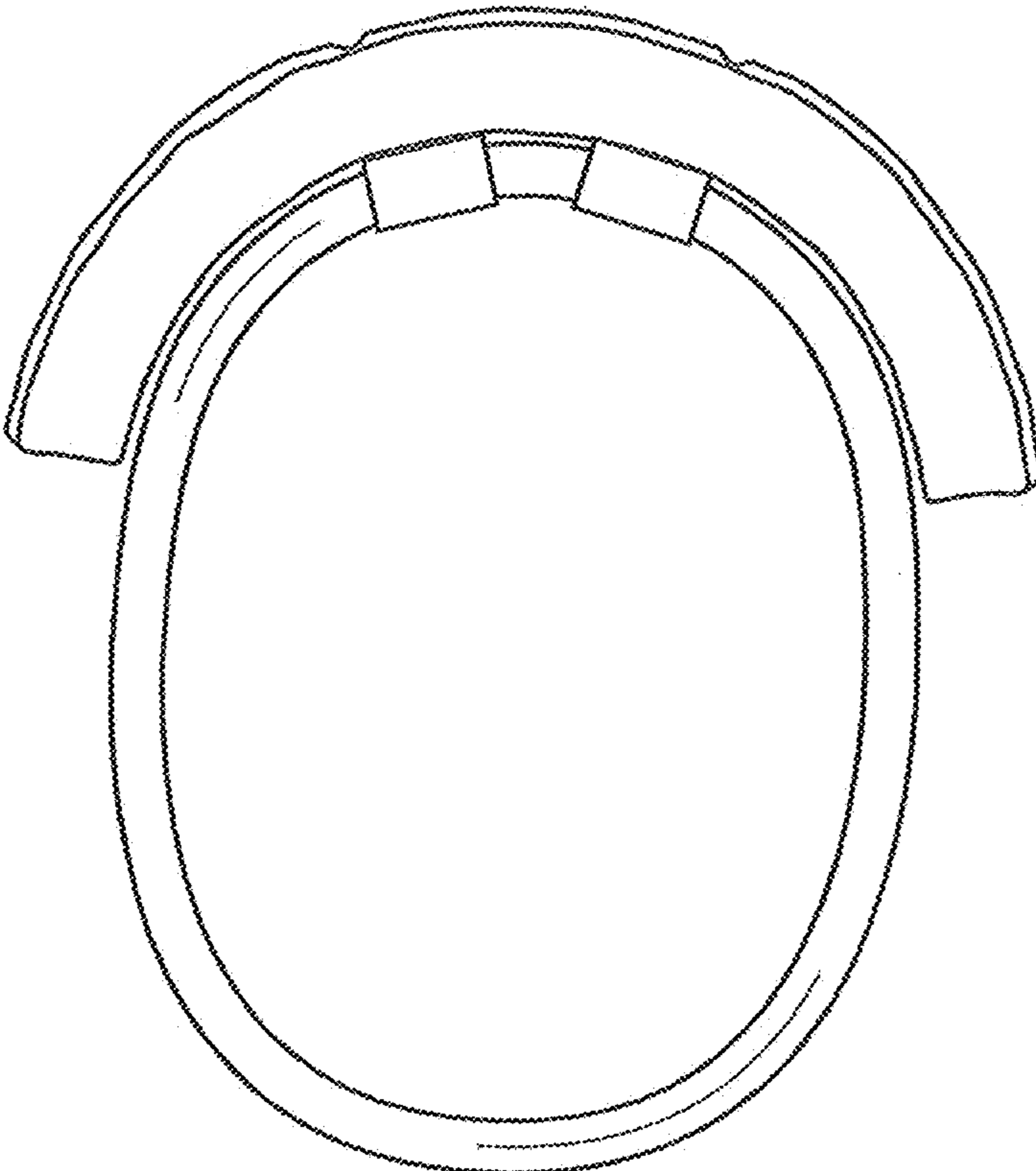


FIG. 2

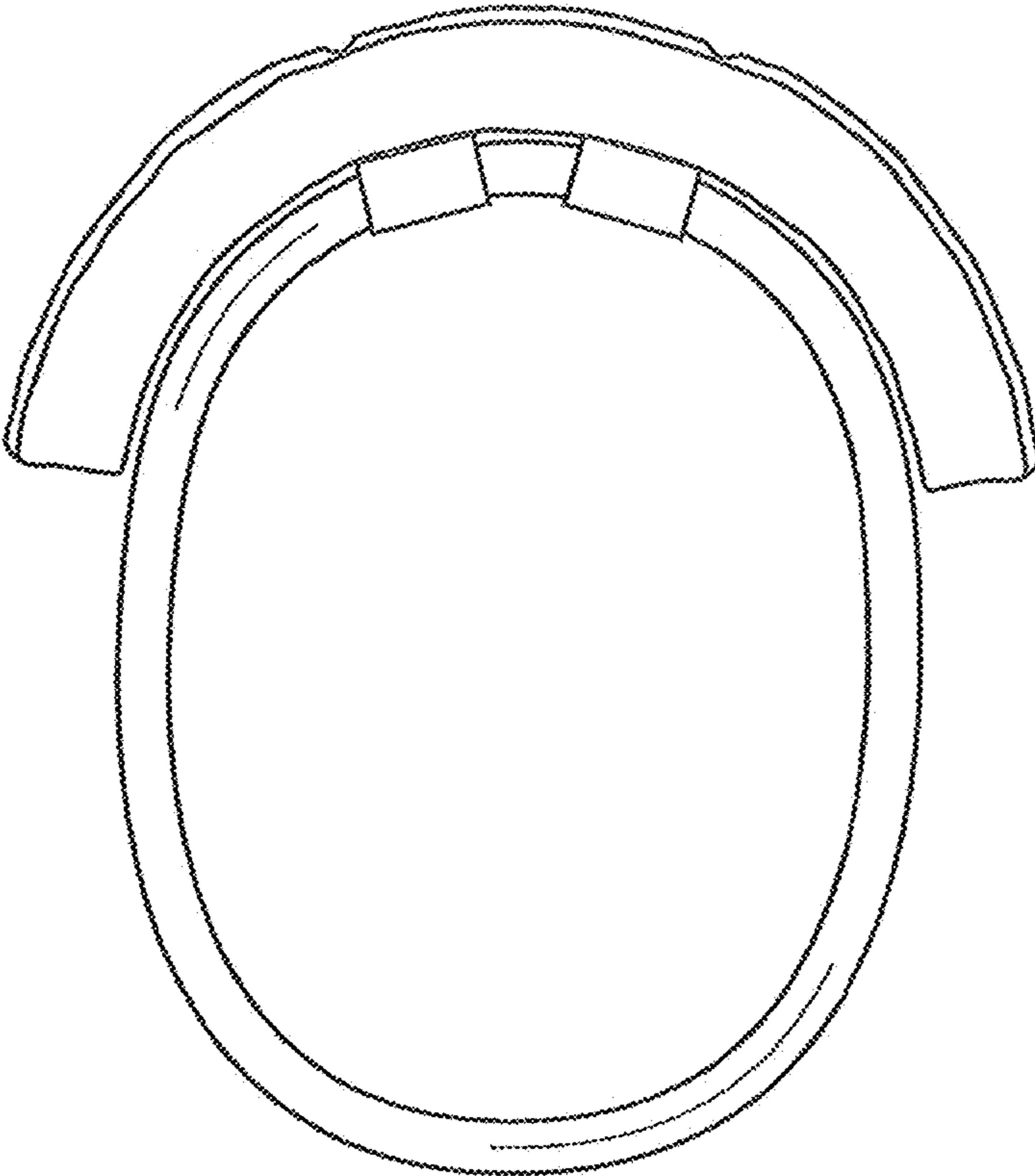


FIG. 3

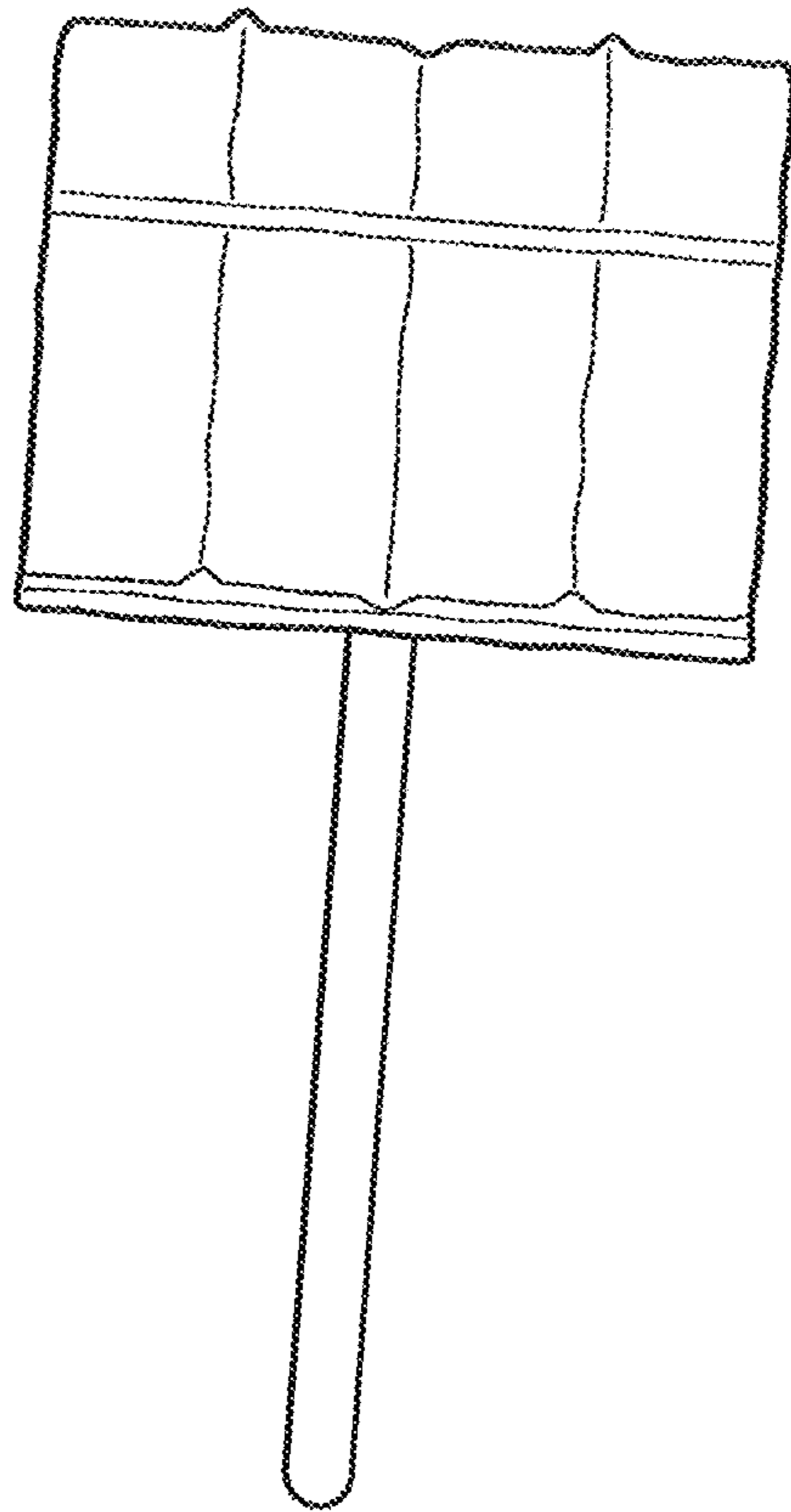


FIG. 4

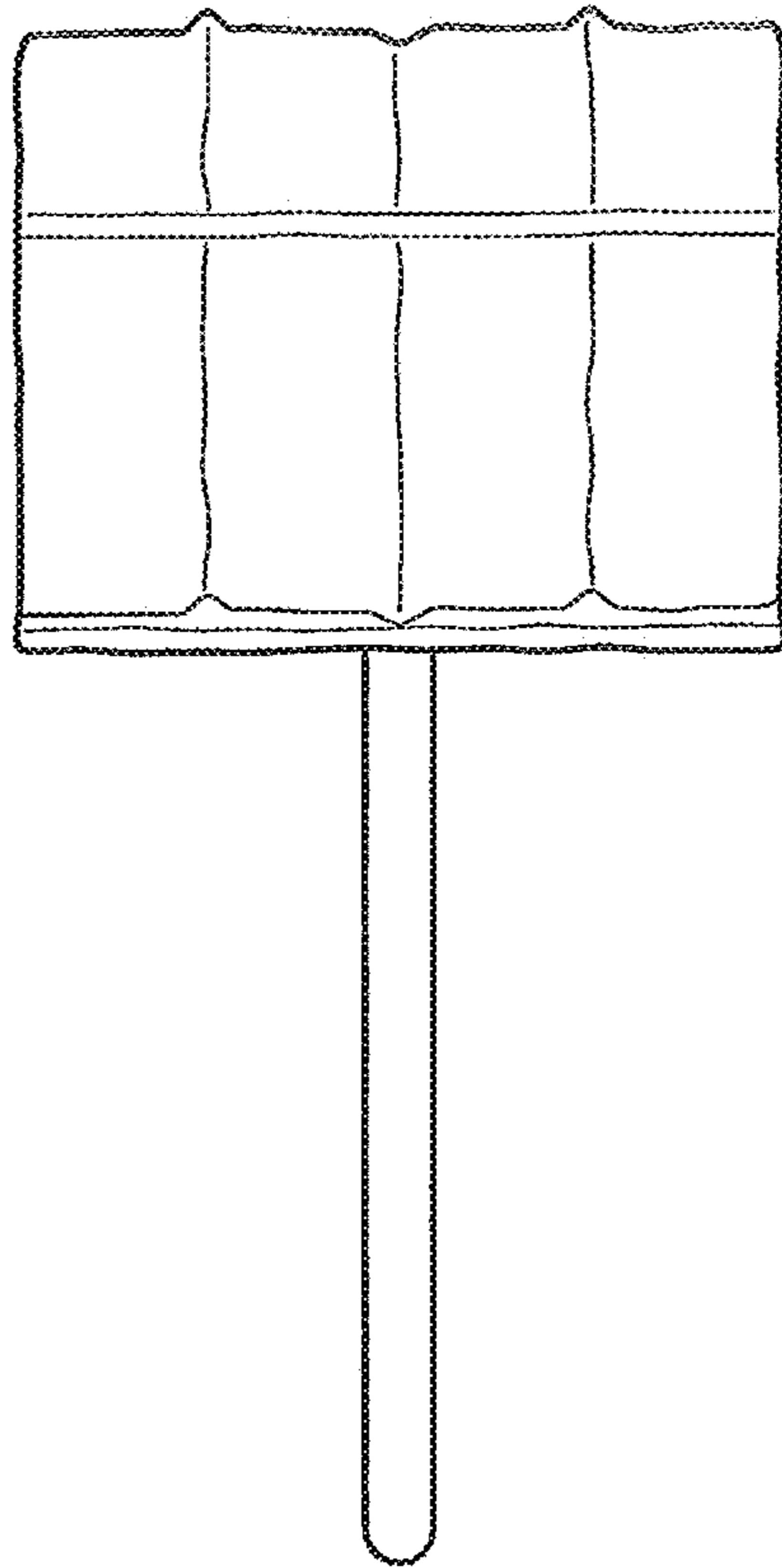


FIG. 5

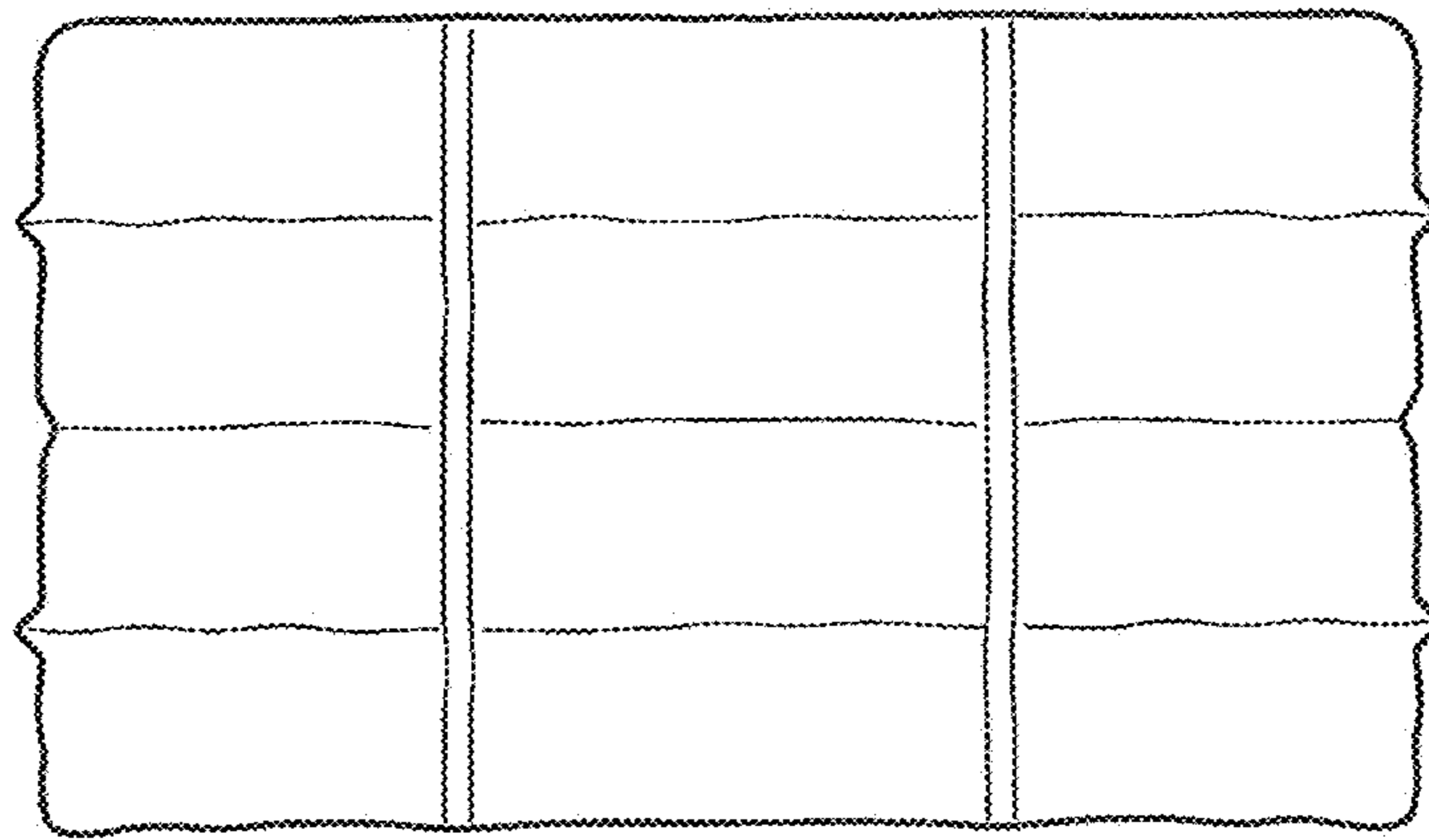


FIG. 6

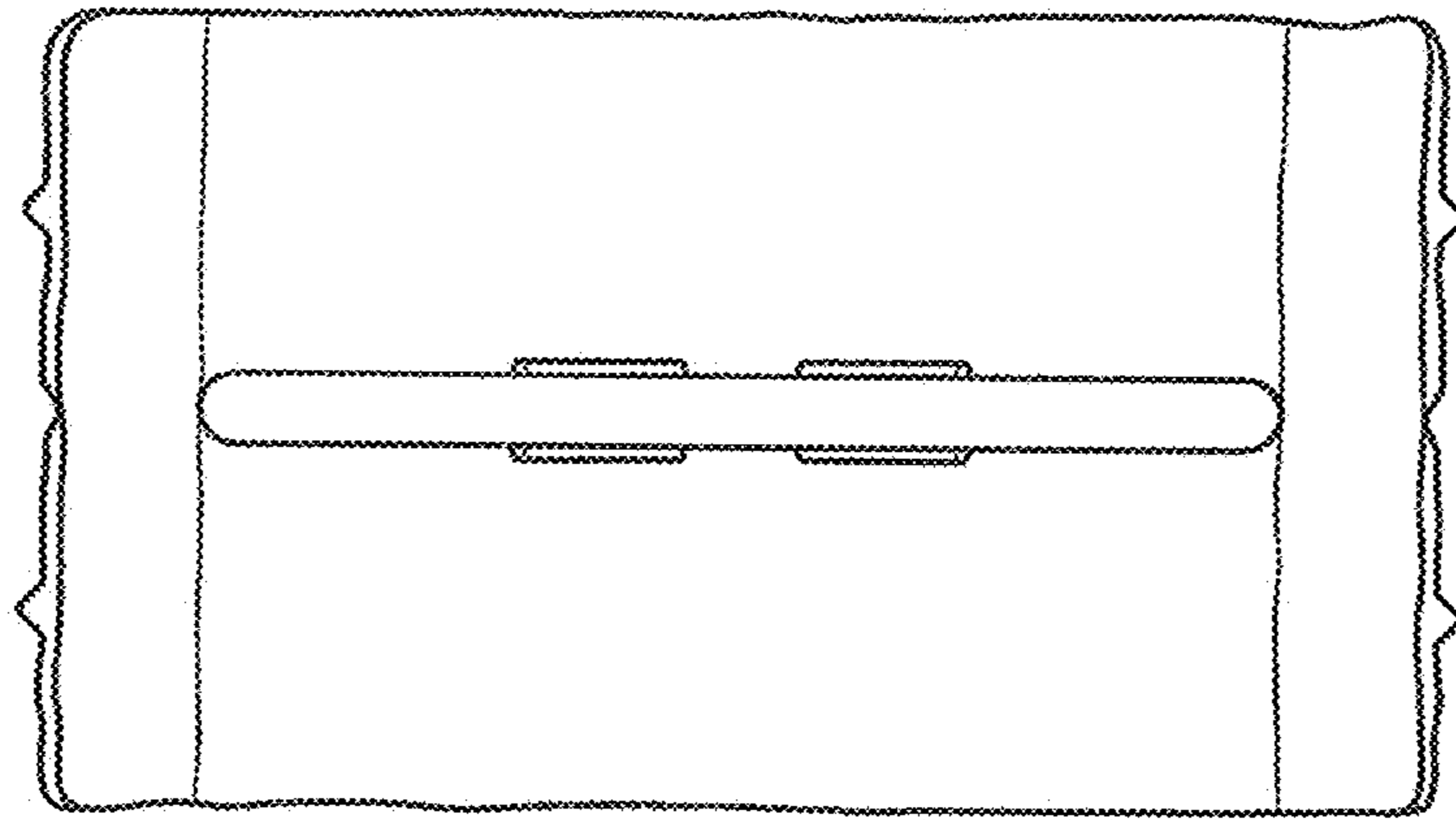


FIG. 7