



US00D695449S

(12) **United States Design Patent**  
**Tucker et al.**

(10) **Patent No.:** **US D695,449 S**  
(45) **Date of Patent:** **\*\* Dec. 10, 2013**

- (54) **ELECTRONIC SMOKING ARTICLE**
- (71) Applicant: **Altria Client Services Inc.**, Richmond, VA (US)
- (72) Inventors: **Christopher S. Tucker**, Midlothian, VA (US); **Geoffrey Brandon Jordan**, Midlothian, VA (US); **Barry S. Smith**, Hopewell, VA (US); **Ali A. Rostami**, Glen Allen, VA (US)
- (73) Assignee: **Altria Client Services Inc.**, Richmond, VA (US)

2,057,353 A	10/1936	Whittemore, Jr.	
2,104,266 A	1/1938	McCormick	
2,406,275 A	8/1946	Wejnarth	
2,442,004 A	5/1948	Hayward-Butt	
2,558,127 A	6/1951	Downs	
2,836,183 A *	5/1958	Fay et al. ....	131/270
2,907,686 A	10/1959	Siegel	

(Continued)

**FOREIGN PATENT DOCUMENTS**

BE	421623	6/1937
CN	87104459	2/1988

(Continued)

**OTHER PUBLICATIONS**

International Search Report and Written Opinion for PCT/US13/24211 dated Mar. 19, 2013.

(Continued)

*Primary Examiner* — Susan Bennett Hattan

*Assistant Examiner* — Janice Hallmark

(74) *Attorney, Agent, or Firm* — Buchanan Ingersoll & Rooney PC

(57) **CLAIM**

The ornamental design for an electronic smoking article, as shown and described.

**DESCRIPTION**

FIG. 1 is a left end, perspective view of an electronic smoking article showing our new design.

FIG. 2 is a right end, perspective view thereof.

FIG. 3 is side elevational view thereof, the other side being a mirror image.

FIG. 4 is a left end elevational view thereof; and,

FIG. 5 is a right end elevational view thereof.

The broken line showing illustrates portions of the electronic smoking article which form no part of the claimed design.

**1 Claim, 3 Drawing Sheets**

- (\*\*) Term: **14 Years**
- (21) Appl. No.: **29/443,136**

(22) Filed: **Jan. 14, 2013**

(51) **LOC (9) Cl.** ..... **27-01**

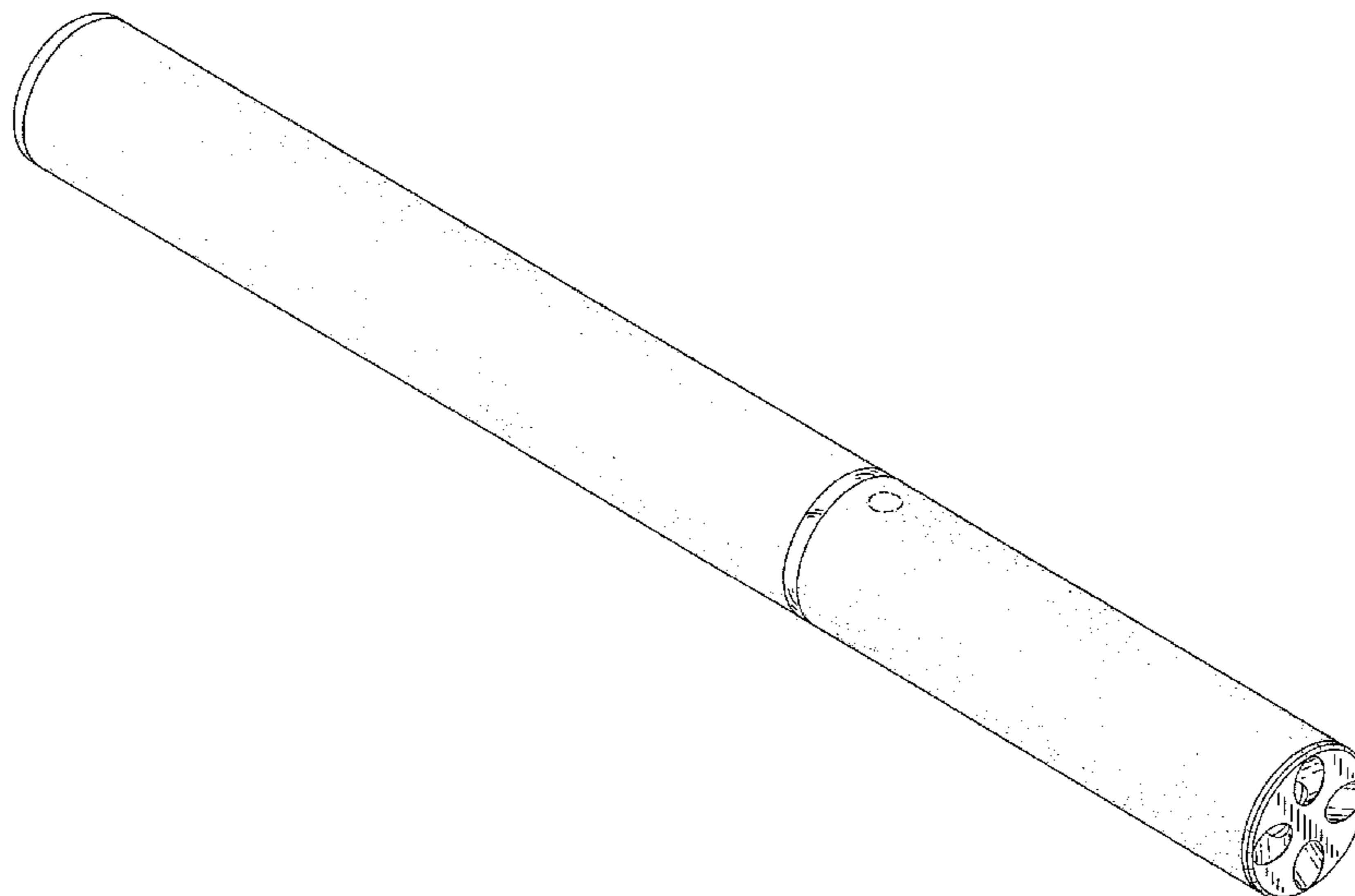
(52) **U.S. Cl.**  
USPC ..... **D27/101**

(58) **Field of Classification Search**  
USPC ..... D27/103–105, 108, 125, 172, 174–176, D27/183, 186–192, 194, 100, 101, 170, D27/163–165, 184, 185; D34/2; 206/242–276; D3/11, 215, 220, D3/226–230, 265, 266; 4/258, 259, 267, 4/271, 283; 131/270–273, 329, 330, 194, 131/189, 347, 360–365; D24/110, 113; D19/77, 81, 84; D28/73–77, 83, 85  
See application file for complete search history.

(56) **References Cited**

**U.S. PATENT DOCUMENTS**

539,839 A *	5/1895	Voron .....	131/361
1,013,157 A	1/1912	Hadaway, Jr.	
1,514,682 A	11/1924	Wilson	
1,771,366 A	7/1930	Wyss et al.	
1,968,509 A	7/1934	Tiffany	



(56)

References Cited

U.S. PATENT DOCUMENTS

2,971,039 A	2/1961	Western	5,144,964 A	9/1992	Demain
2,972,557 A	2/1961	Toulmin, Jr.	5,157,242 A	10/1992	Hetherington et al.
2,974,669 A	3/1961	Ellis	5,159,940 A	11/1992	Hayward et al.
3,062,218 A	11/1962	Temkovits	5,179,966 A	1/1993	Losee et al.
3,200,819 A	8/1965	Gilbert	5,224,498 A	7/1993	Deevi et al.
3,255,760 A	6/1966	Selker	5,228,460 A	7/1993	Sprinkel et al.
3,258,015 A	6/1966	Ellis et al.	5,235,157 A	8/1993	Blackburn
3,356,094 A	12/1967	Ellis et al.	5,249,586 A	10/1993	Morgan et al.
3,363,633 A	1/1968	Weber	5,269,327 A *	12/1993	Counts et al. .... 131/194
3,402,723 A	9/1968	Hu	5,274,214 A	12/1993	Blackburn
3,482,580 A	12/1969	Hollabaugh	5,285,050 A	2/1994	Blackburn
3,521,643 A	7/1970	Toth	5,322,075 A	6/1994	Deevi et al.
3,559,300 A	2/1971	Fox	5,353,813 A	10/1994	Deevi et al.
3,587,573 A *	6/1971	Flack ..... 128/203.21	5,369,723 A	11/1994	Counts et al.
3,608,560 A	9/1971	Briskin et al.	5,388,594 A	2/1995	Counts et al.
3,681,018 A	8/1972	Knauff	5,396,911 A	3/1995	Casey, III et al.
3,738,374 A	6/1973	Bennett	5,408,574 A	4/1995	Deevi et al.
3,744,496 A	7/1973	McCarty et al.	5,498,855 A	3/1996	Deevi et al.
D229,725 S *	12/1973	Berger ..... D27/101	5,505,214 A	4/1996	Collins et al.
D229,788 S *	1/1974	Berger ..... D27/101	5,591,368 A	1/1997	Fleischhauer et al.
D229,789 S *	1/1974	Berger ..... D27/101	5,592,955 A	1/1997	Keritsis
D229,790 S *	1/1974	Berger ..... D27/101	5,595,706 A	1/1997	Sikka et al.
3,789,840 A *	2/1974	Rosenblatt ..... 131/273	5,611,360 A *	3/1997	Tang ..... 131/194
3,804,100 A	4/1974	Fariello	5,613,504 A	3/1997	Collins et al.
3,875,476 A	4/1975	Crandall et al.	5,724,997 A	3/1998	Smith et al.
3,878,041 A	4/1975	Leitnaker et al.	5,743,251 A	4/1998	Howell et al.
3,886,954 A	6/1975	Hannema et al.	5,865,185 A	2/1999	Collins et al.
3,889,690 A	6/1975	Guarnieri	5,878,752 A	3/1999	Adams et al.
3,895,219 A	7/1975	Richerson et al.	5,935,975 A	8/1999	Rose et al.
3,943,941 A	3/1976	Boyd et al.	6,155,268 A	12/2000	Takeuchi
D240,541 S *	7/1976	Rupert ..... D27/101	6,196,218 B1	3/2001	Voges
4,016,061 A	4/1977	Wasa et al.	D453,854 S *	2/2002	Verhoeven-Koster ..... D27/101
4,068,672 A	1/1978	Guerra	6,598,607 B2	7/2003	Adiga et al.
4,077,784 A	3/1978	Vayrynen	6,715,487 B2	4/2004	Nichols et al.
4,083,372 A	4/1978	Boden	6,772,756 B2	8/2004	Shayan
4,098,725 A	7/1978	Yamamoto et al.	6,854,470 B1	2/2005	Pu
4,110,260 A	8/1978	Yamamoto et al.	7,131,599 B2	11/2006	Katase
4,131,119 A	12/1978	Blasutti	7,167,641 B2	1/2007	Tam et al.
4,141,369 A	2/1979	Burruss	7,458,374 B2	12/2008	Hale et al.
4,164,230 A	8/1979	Pearlman	D590,988 S	4/2009	Hon
4,193,411 A	3/1980	Faris et al.	D590,989 S	4/2009	Hon
4,209,026 A	6/1980	Dock	D590,990 S	4/2009	Hon
4,215,708 A	8/1980	Bron	D590,991 S	4/2009	Hon
4,219,032 A	8/1980	Tabatznik et al.	D613,902 S *	4/2010	Kaljura ..... D27/101
4,246,913 A	1/1981	Ogden et al.	D614,346 S	4/2010	Lik
4,256,945 A	3/1981	Carter et al.	7,726,320 B2	6/2010	Robinson et al.
4,259,970 A	4/1981	Green, Jr.	7,789,089 B2	9/2010	Dube et al.
4,331,166 A	5/1982	Hale	7,810,508 B2	10/2010	Wyss-Peters et al.
4,340,072 A	7/1982	Bolt et al.	7,832,410 B2	11/2010	Hon
D270,097 S *	8/1983	Minkevitch ..... D27/127	7,845,359 B2	12/2010	Montaser
4,419,302 A	12/1983	Nishino et al.	7,878,962 B2	2/2011	Karles et al.
4,457,319 A	7/1984	Lamb et al.	7,938,124 B2	5/2011	Izumiya et al.
4,493,331 A	1/1985	Porenski, Jr.	D644,375 S	8/2011	Zhou
4,517,996 A	5/1985	Vester	7,997,280 B2	8/2011	Rosenthal
4,649,944 A	3/1987	Houck, Jr. et al.	D646,431 S *	10/2011	Awty et al. .... D27/194
4,687,008 A	8/1987	Houck, Jr. et al.	D651,338 S *	12/2011	Awty et al. .... D27/194
4,765,347 A	8/1988	Sensabaugh et al.	8,079,371 B2	12/2011	Robinson et al.
4,804,002 A	2/1989	Herron	D652,987 S *	1/2012	Kaljura ..... D27/101
4,941,486 A	7/1990	Dube et al.	D653,390 S *	1/2012	Kaljura ..... D27/101
4,945,929 A	8/1990	EglimeX	D653,802 S *	2/2012	Kaljura ..... D27/101
4,981,522 A	1/1991	Nichols et al.	D655,036 S	2/2012	Zhou
4,991,606 A	2/1991	Serrano et al.	8,118,161 B2	2/2012	Guerrera et al.
5,016,656 A	5/1991	McMurtrie	8,127,772 B2	3/2012	Montaser
5,040,552 A	8/1991	Nystrom et al.	8,156,944 B2	4/2012	Han
5,042,510 A *	8/1991	Curtiss et al. .... 131/273	8,157,918 B2	4/2012	Becker et al.
5,045,237 A	9/1991	Washburn	8,205,622 B2	6/2012	Pan
5,060,671 A	10/1991	Counts et al.	8,314,591 B2	11/2012	Terry et al.
5,076,296 A	12/1991	Schleich et al.	2004/0020500 A1	2/2004	Wrenn et al.
5,085,804 A	2/1992	Washburn	2004/0099266 A1	5/2004	Cross et al.
5,093,894 A	3/1992	Deevi et al.	2005/0016550 A1	1/2005	Katase
5,095,921 A	3/1992	Losee et al.	2005/0016553 A1	1/2005	Iannuzzi
5,116,298 A	5/1992	Bondanelli et al.	2005/0175331 A1	8/2005	Tam et al.
5,137,578 A	8/1992	Chan	2006/0191546 A1	8/2006	Takano et al.
5,139,594 A	8/1992	Rabin	2006/0196518 A1	9/2006	Hon
5,144,962 A	9/1992	Counts et al.	2006/0254604 A1 *	11/2006	Martinez Fernandez ..... 131/273
			2007/0095357 A1	5/2007	Besso et al.
			2007/0267031 A1	11/2007	Hon
			2007/0267032 A1	11/2007	Shan
			2008/0092912 A1	4/2008	Robinson et al.

(56)

References Cited

U.S. PATENT DOCUMENTS

2008/0230052 A1 9/2008 Montaser  
 2008/0276947 A1 11/2008 Martzel  
 2009/0007925 A1 1/2009 Rasouli et al.  
 2009/0044816 A1 2/2009 Rasouli et al.  
 2009/0126745 A1 5/2009 Hon  
 2009/0151717 A1 6/2009 Bowen et al.  
 2009/0162294 A1 6/2009 Werner  
 2009/0188490 A1 7/2009 Han  
 2009/0230117 A1 9/2009 Fernando et al.  
 2009/0272379 A1 11/2009 Thorens et al.  
 2010/0031968 A1 2/2010 Sheikh et al.  
 2010/0083959 A1 4/2010 Siller  
 2010/0126505 A1 5/2010 Rinker  
 2010/0200008 A1 8/2010 Taieb  
 2010/0206317 A1 8/2010 Albino et al.  
 2010/0307518 A1 12/2010 Wang  
 2011/0011396 A1 1/2011 Fang  
 2011/0036346 A1 2/2011 Cohen et al.  
 2011/0036363 A1 2/2011 Urtsev et al.  
 2011/0088707 A1\* 4/2011 Hajaligol ..... 131/194  
 2011/0094523 A1 4/2011 Thorens et al.  
 2011/0120455 A1 5/2011 Murphy  
 2011/0120482 A1 5/2011 Brenneise  
 2011/0155153 A1 6/2011 Thorens et al.  
 2011/0209717 A1 9/2011 Han  
 2011/0220134 A1\* 9/2011 Duke et al. .... 131/331  
 2011/0232654 A1\* 9/2011 Mass ..... 131/273  
 2011/0245493 A1 10/2011 Rabinowitz et al.  
 2011/0265806 A1 11/2011 Alarcon et al.  
 2011/0277756 A1 11/2011 Terry et al.  
 2011/0277757 A1 11/2011 Terry et al.  
 2011/0277760 A1 11/2011 Terry et al.  
 2011/0277761 A1 11/2011 Terry et al.  
 2011/0277764 A1 11/2011 Terry et al.  
 2011/0277780 A1\* 11/2011 Terry et al. .... 131/273  
 2011/0303231 A1 12/2011 Li et al.  
 2011/0304282 A1 12/2011 Li et al.  
 2012/0006342 A1 1/2012 Rose et al.  
 2012/0090629 A1 4/2012 Turner et al.  
 2012/0111347 A1 5/2012 Hon  
 2012/0118301 A1 5/2012 Montaser  
 2012/0145169 A1 6/2012 Wu  
 2012/0167906 A1 7/2012 Gysland  
 2012/0186593 A1 7/2012 Grano et al.  
 2012/0186594 A1 7/2012 Liu  
 2012/0199146 A1 8/2012 Marangos  
 2012/0199663 A1 8/2012 Qiu  
 2012/0211015 A1 8/2012 Li et al.  
 2012/0230659 A1 9/2012 Goodman et al.  
 2012/0260927 A1 10/2012 Liu  
 2012/0285475 A1 11/2012 Liu  
 2012/0312313 A1 12/2012 Frija  
 2012/0318283 A1 12/2012 Watanabe et al.  
 2012/0318882 A1 12/2012 Abehasera  
 2013/0014772 A1 1/2013 Liu  
 2013/0019887 A1 1/2013 Liu  
 2013/0025609 A1 1/2013 Liu  
 2013/0032159 A1 2/2013 Capuano  
 2013/0081642 A1 4/2013 Safari  
 2013/0118509 A1\* 5/2013 Richardson ..... 131/280

FOREIGN PATENT DOCUMENTS

CN 2777995 Y 5/2006  
 CN 101322579 A 12/2008  
 CN 201709398 U 1/2011

CN 201789924 U 4/2011  
 CN 201797997 U 4/2011  
 CN 102106611 A 6/2011  
 CN 201860753 6/2011  
 CN 102166044 A 8/2011  
 CN 201986689 U 9/2011  
 CN 202014571 U 10/2011  
 CN 202014572 U 10/2011  
 CN 202026802 U 11/2011  
 CN 202026804 U 11/2011  
 CN 20223305 U 5/2012  
 CN 20223307 U 5/2012  
 DE 3640917 8/1988  
 DE 3735704 5/1989  
 EP 0117355 12/1987  
 EP 0277519 8/1988  
 EP 0295122 12/1988  
 EP 0358 002 3/1990  
 EP 0358114 3/1990  
 EP 0430566 6/1991  
 EP 0438862 7/1991  
 EP 0608783 3/1994  
 EP 0845220 6/1998  
 EP 0893071 1/1999  
 EP 1128741 9/2001  
 EP 1618803 1/2006  
 EP 1736065 12/2006  
 EP 2113178 11/2009  
 NL 8201585 11/1982  
 WO WO86/02528 5/1986  
 WO WO95/02970 2/1995  
 WO WO00/28843 3/2000  
 WO WO2004/043175 5/2004  
 WO WO2004/080216 9/2004  
 WO WO2004/095955 11/2004  
 WO WO2005/099494 10/2005  
 WO WO2007/066374 6/2007  
 WO WO2007/078273 7/2007  
 WO WO2007/098337 8/2007  
 WO WO2007/131449 11/2007  
 WO WO2007/131450 11/2007  
 WO WO2007/141668 12/2007  
 WO WO2008/055423 5/2008  
 WO WO2010/091593 8/2010  
 WO WO2010/145468 12/2010  
 WO WO2011/121326 10/2011  
 WO WO2011/124033 10/2011  
 WO WO2011/146372 11/2011  
 WO WO2012/088675 7/2012  
 WO WO2012/109371 8/2012  
 WO WO2012/129787 10/2012  
 WO WO2012/129812 10/2012  
 WO WO2012/142293 10/2012

OTHER PUBLICATIONS

International Search Report and Written Opinion for PCT/US13/24219 dated Mar. 14, 2013.  
 International Search Report and Written Opinion for PCT/US13/24229 dated Mar. 19, 2013.  
 International Search Report and Written Opinion for PCT/US13/24215 dated Mar. 19, 2013.  
 International Search Report and Written Opinion for PCT/US13/24228 dated Mar. 21, 2013.  
 RCD 000084876-0001-000084876-0017, Jan. 27, 2004, Skandinavisk Tobakskompagni A/S.  
 RCD 000054630-0001-000054630-0002, Sep. 30, 2003, Verhoeven-Koster.

\* cited by examiner

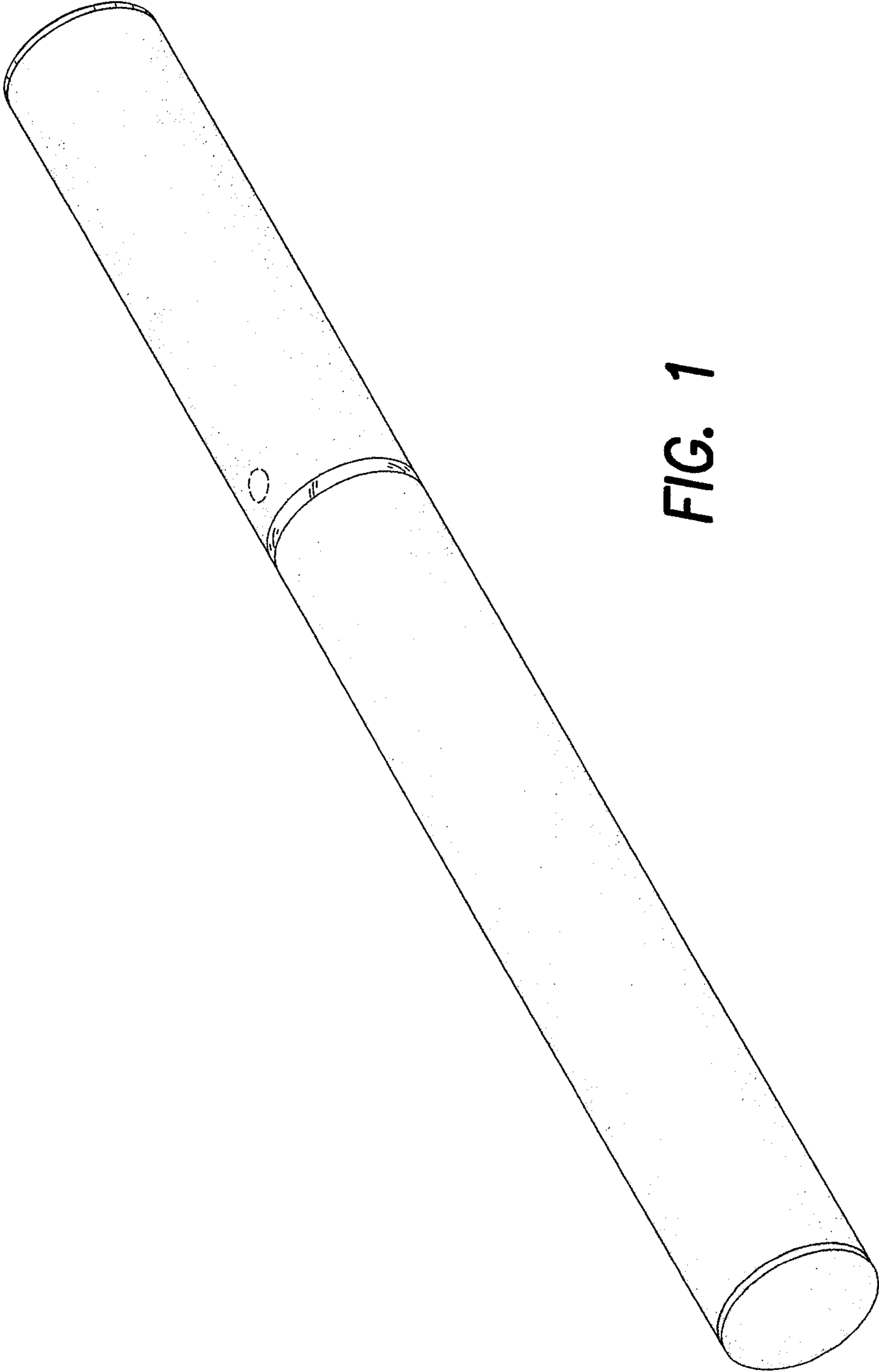


FIG. 1

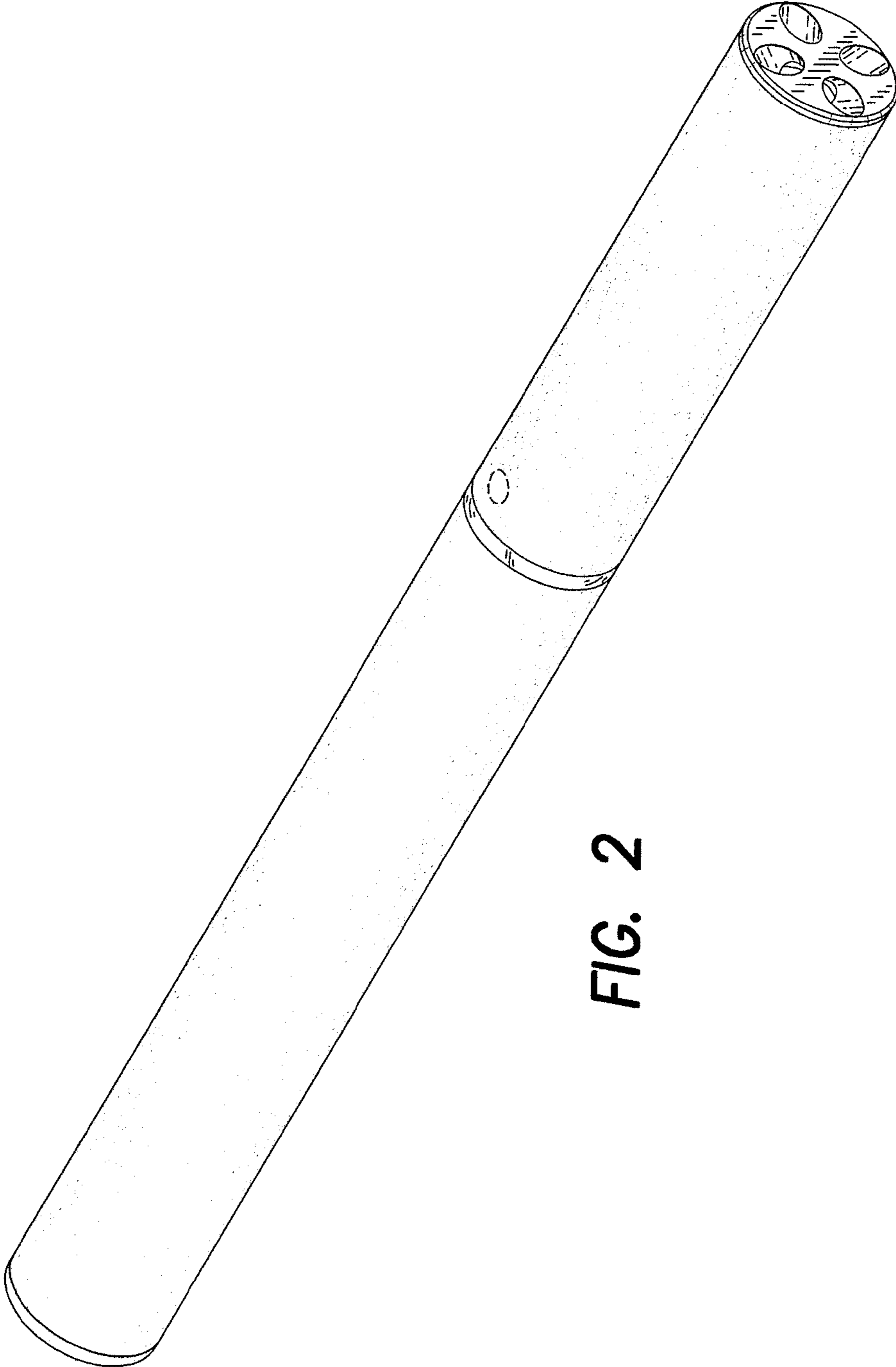


FIG. 2

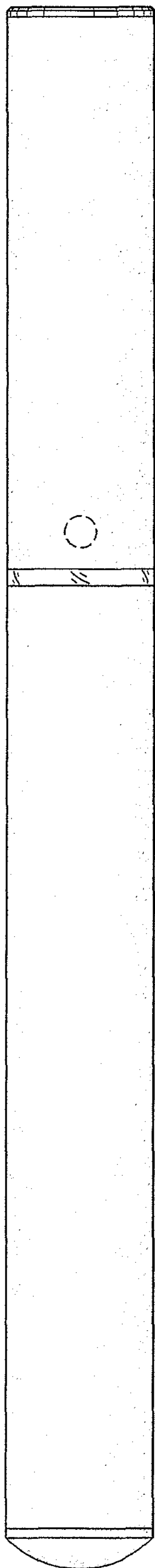


FIG. 3

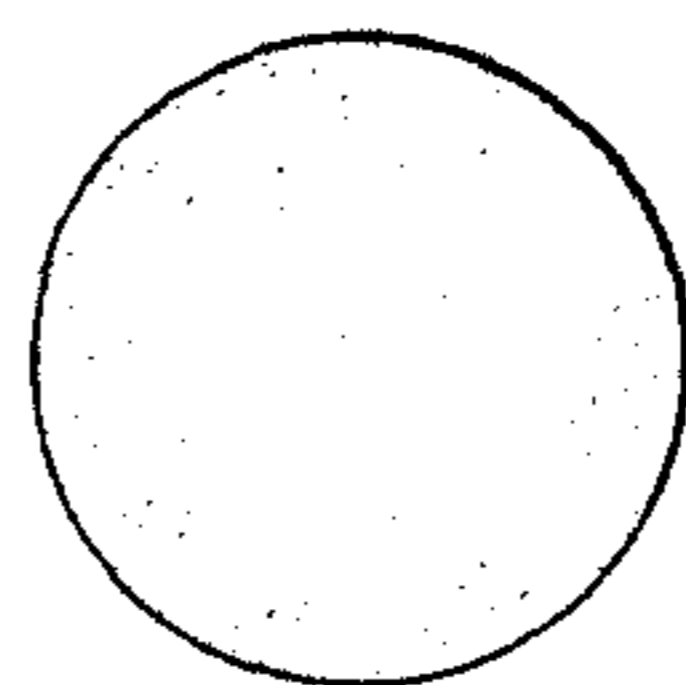


FIG. 4

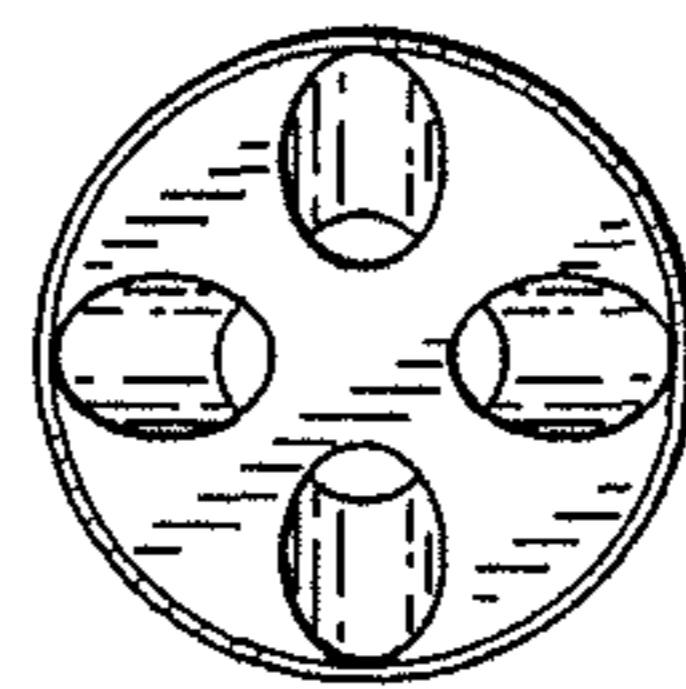


FIG. 5