



US00D695448S

(12) **United States Design Patent**
Orozco

(10) **Patent No.:** **US D695,448 S**

(45) **Date of Patent:** **** Dec. 10, 2013**

(54) **DOMED FLUSH MOUNT LIGHT FIXTURE WITH CLEAR, RAISED RADIAL SPOKES ON ETCHED GLASS**

(71) Applicant: **Sergio Orozco**, West New York, NJ (US)

(72) Inventor: **Sergio Orozco**, West New York, NJ (US)

(73) Assignee: **Jimway, Inc.**, Rancho Dominguez, CA (US)

(**) Term: **14 Years**

(21) Appl. No.: **29/454,581**

(22) Filed: **May 10, 2013**

(51) **LOC (9) Cl.** **26-99**

(52) **U.S. Cl.**
USPC **D26/129**

(58) **Field of Classification Search**
USPC D26/152, 113, 118, 119, 154, 61, 62, D26/65, 75, 16, 1, 2, 3, 120, 138, 128, 155, D26/76, 121, 124, 125, 123, 141, 142, 66, D26/68, 86, 71, 72, 77, 78, 151, 145, 74, 85, D26/89, 82, 84, 92, 87, 136, 63, 59, 58, 28, D26/88, 11, 9, 22, 81, 127, 129, 130, 131, D26/133, 134, 135, 55; D13/179, 180; 362/219, 223, 225, 347, 346, 373, 326, 362/283, 249.02, 362, 374, 375, 408, 327, 362/328, 404, 297, 147, 149, 249.03, 362/249.11; D23/377, 411, 413; D11/89, D11/90

See application file for complete search history.

(56) **References Cited**

U.S. PATENT DOCUMENTS

D67,337 S * 5/1925 Chappell D26/81
D403,799 S * 1/1999 Dolan D26/90
D412,040 S * 7/1999 Hudak et al. D26/87
D427,366 S * 6/2000 Chen D26/134

D452,908 S * 1/2002 Dolan D23/411
D466,245 S * 11/2002 Hsu D26/127
D466,642 S * 12/2002 Hsu D26/134
D478,976 S * 8/2003 Young D23/377
D487,309 S * 3/2004 Stauffer D23/411
D499,201 S * 11/2004 Parres D26/90
D503,992 S * 4/2005 Curtin D26/88
D506,542 S * 6/2005 Thomas, Jr. D23/411
D521,175 S * 5/2006 Dolan D26/81
D557,793 S * 12/2007 Curtin D23/411
D561,385 S * 2/2008 Bucher et al. D26/129
D563,010 S * 2/2008 Pickett D26/59
D563,034 S * 2/2008 Curtin D26/89
D567,428 S * 4/2008 Badarello D26/89
D571,034 S * 6/2008 Goetz-Schaefer D26/85

(Continued)

Primary Examiner — Kevin Rudzinski

(74) *Attorney, Agent, or Firm* — Paul Y. Feng; The Eclipse Group, LLP

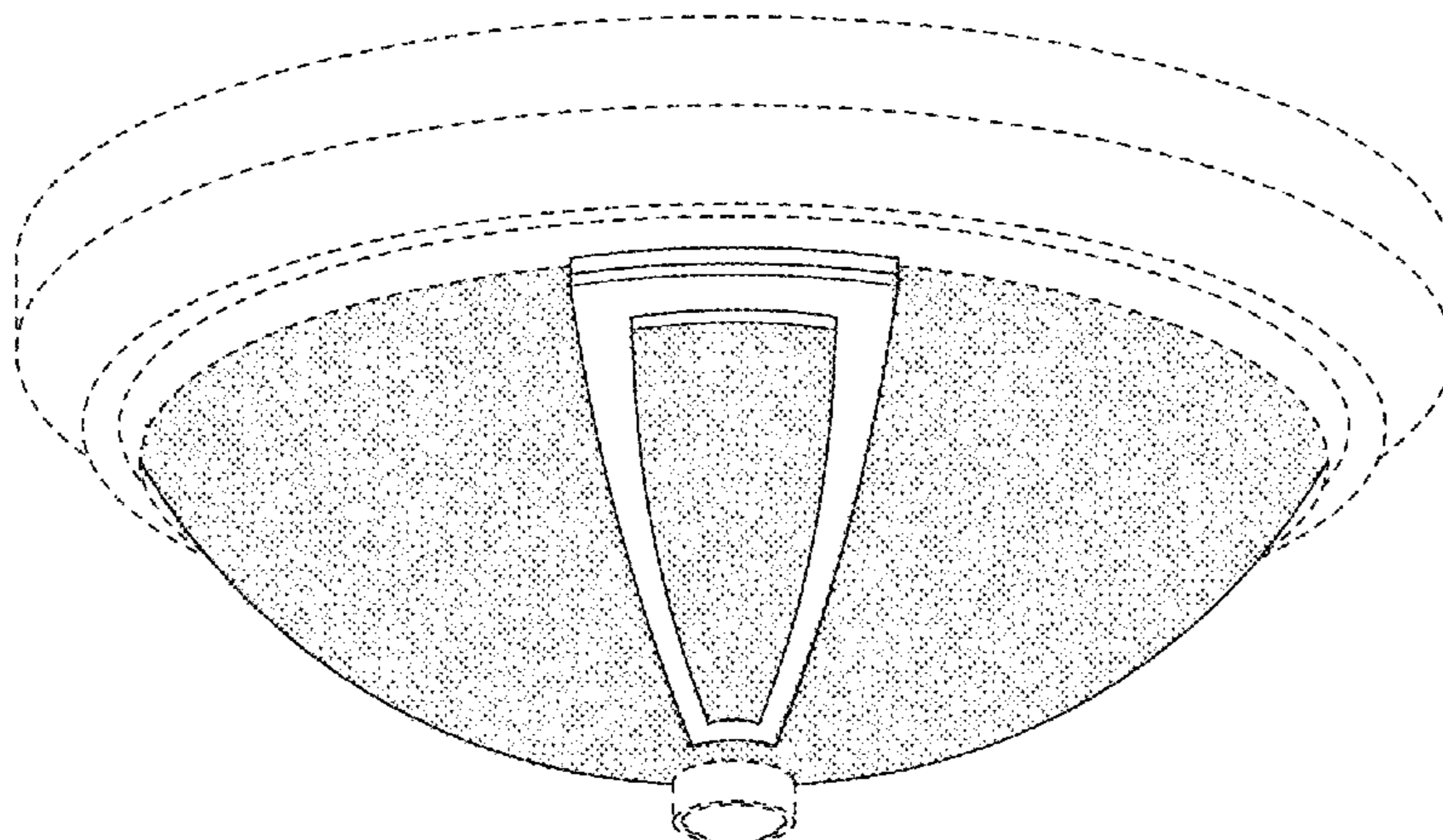
(57) **CLAIM**

The ornamental design for an domed flush mount light fixture with clear, raised radial spokes on etched glass, as shown and described.

DESCRIPTION

FIG. 1 is a bottom view of a domed flush mount light fixture with clear, raised radial spokes on etched glass, showing the new design;
FIG. 2 is a top view of the domed flush mount light fixture with clear, raised radial spokes on etched glass from FIG. 1;
FIG. 3 is a front elevational view thereof;
FIG. 4 is a rear elevational view thereof;
FIG. 5 is a left side elevational view thereof;
FIG. 6 is a right side elevational view thereof;
FIG. 7 is an upper perspective view thereof; and,
FIG. 8 is a bottom perspective view thereof.
The broken lines shown in the drawings illustrate environmental features and form no part of the claimed design.

1 Claim, 8 Drawing Sheets



US D695,448 S

Page 2

(56)

References Cited

U.S. PATENT DOCUMENTS

D628,738 S *	12/2010	Chen	D26/89
D634,057 S *	3/2011	Nguyen et al.	D26/89
D654,615 S *	2/2012	Chen	D26/89
D584,850 S *	1/2009	Itiravivong	D26/89

* cited by examiner

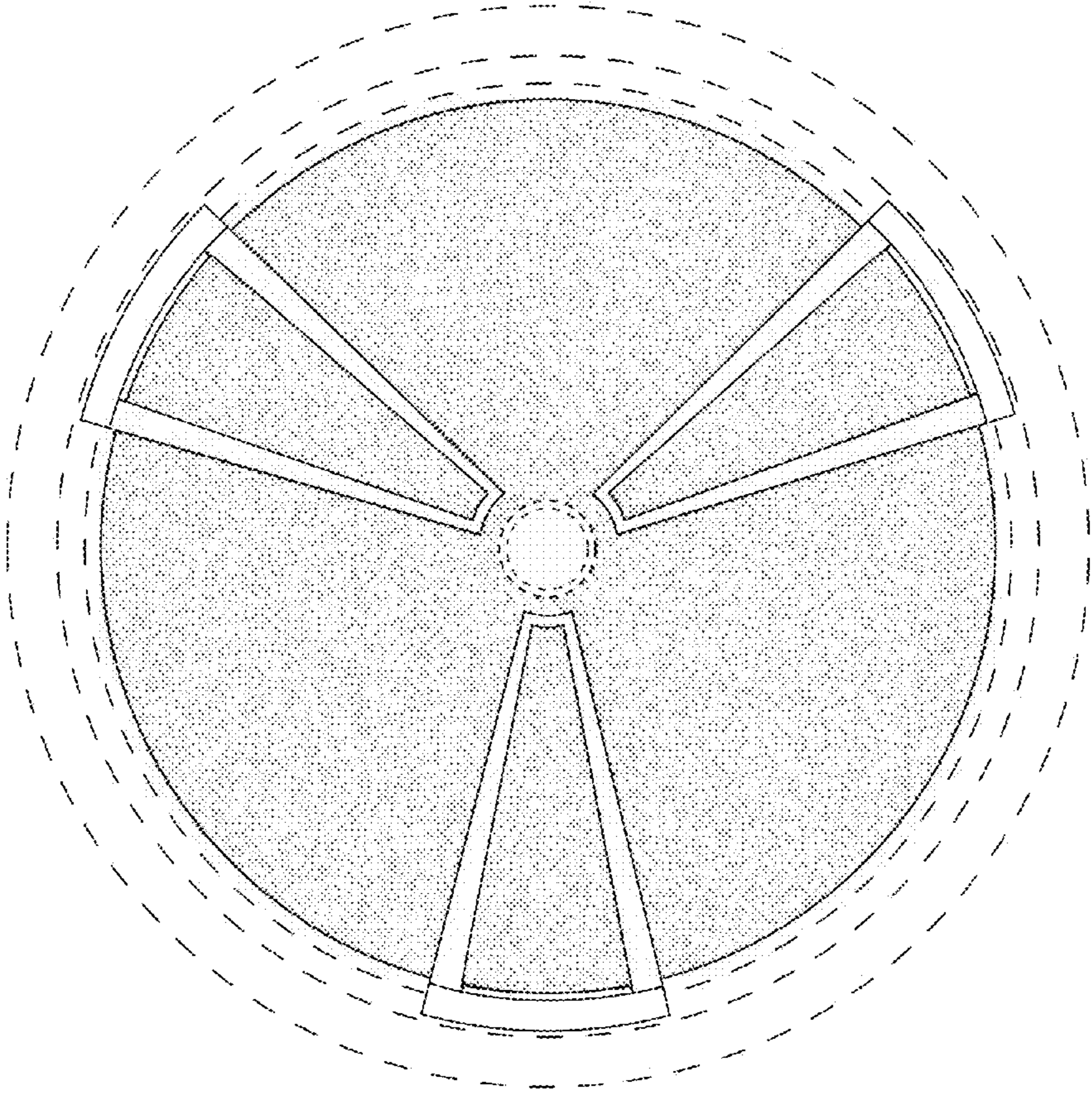


FIG. 1

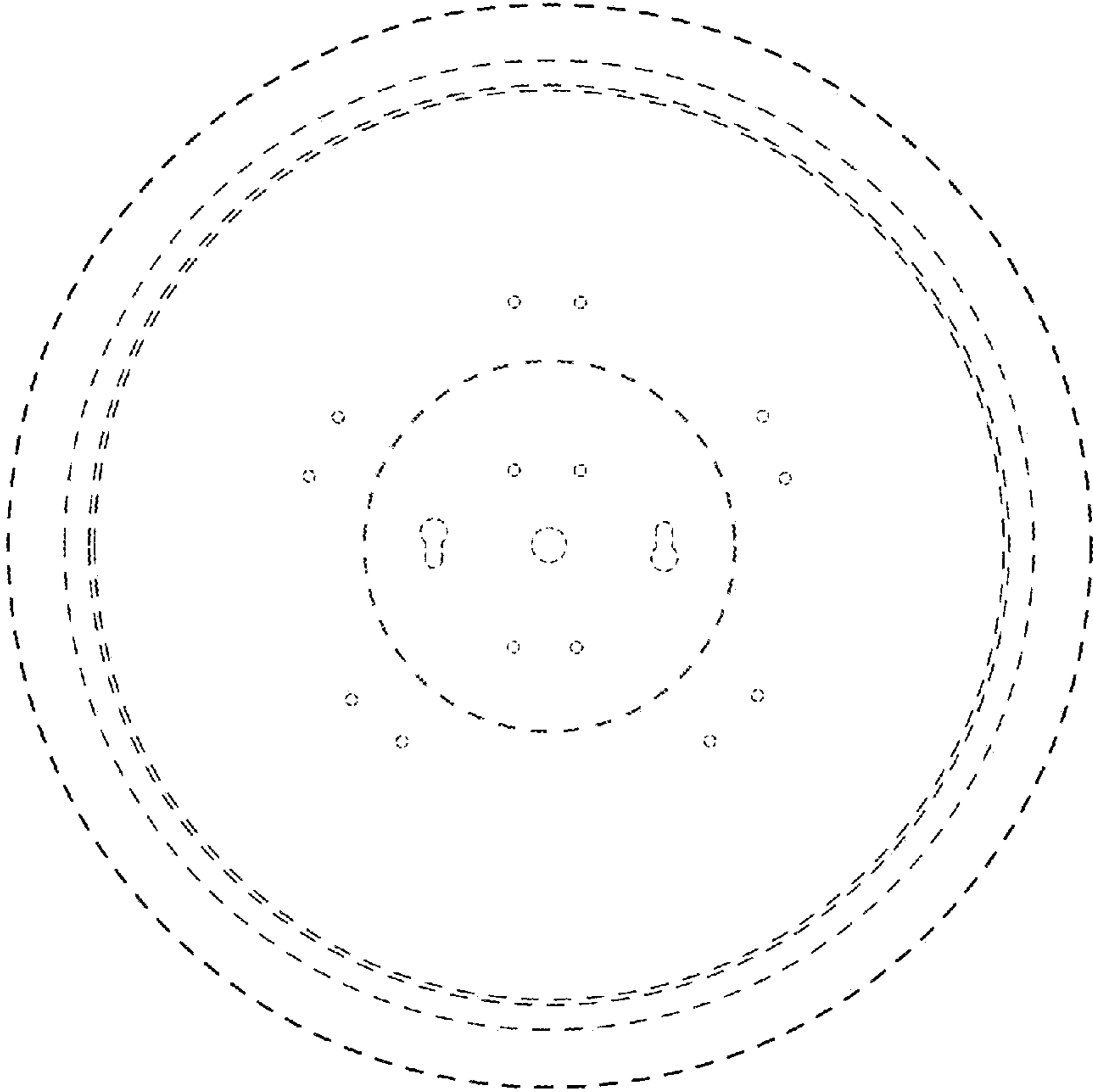


FIG. 2

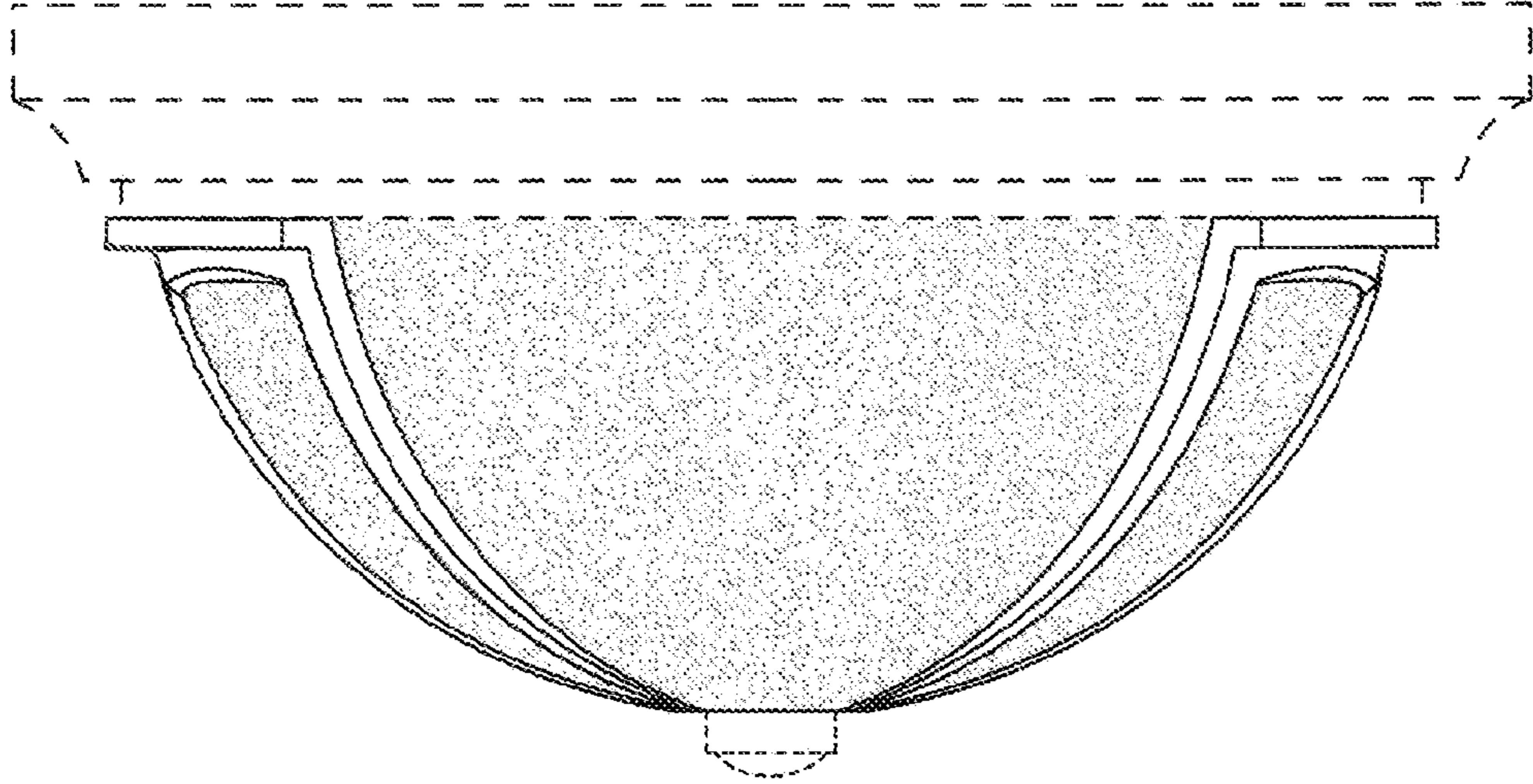


FIG. 3

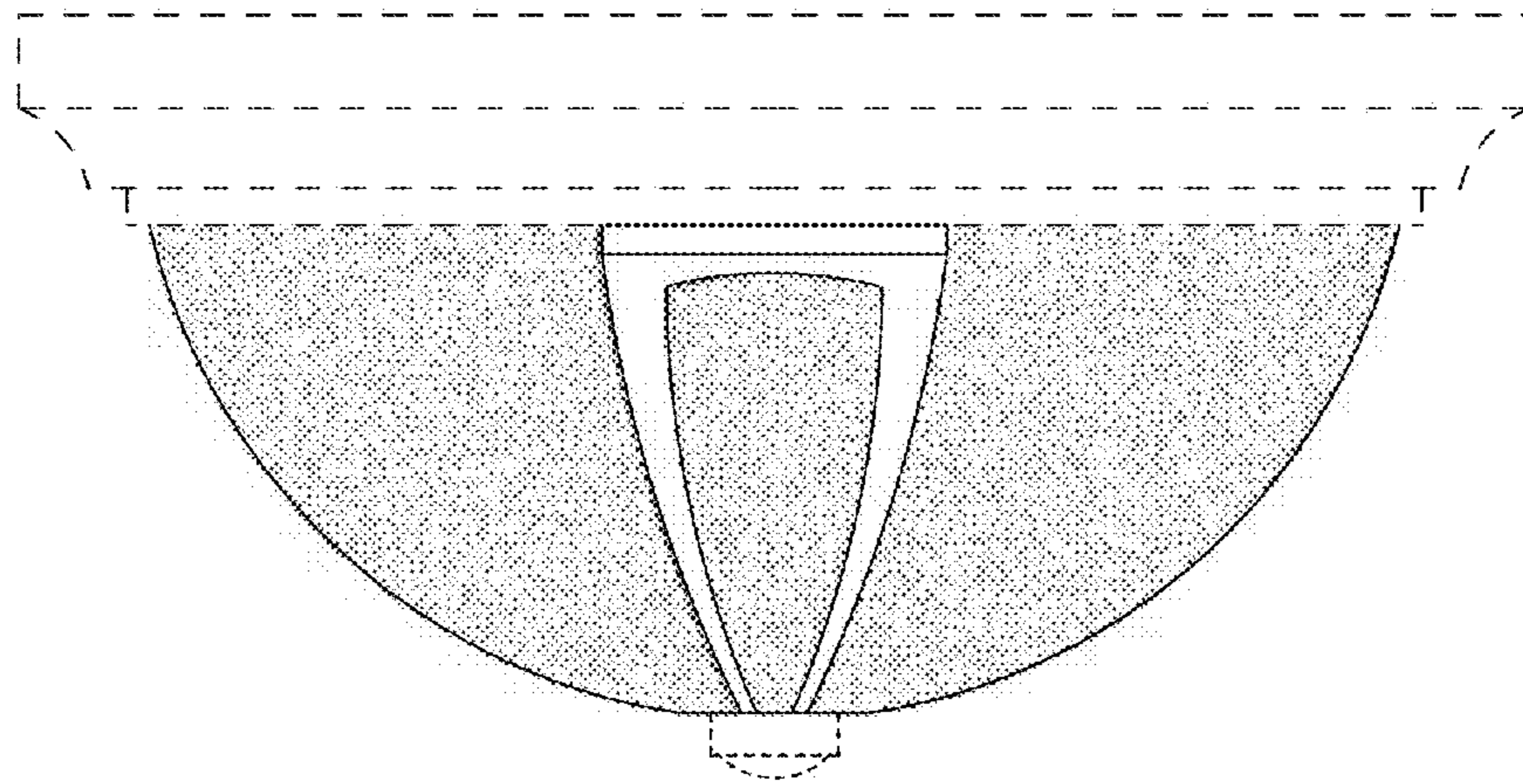


FIG. 4

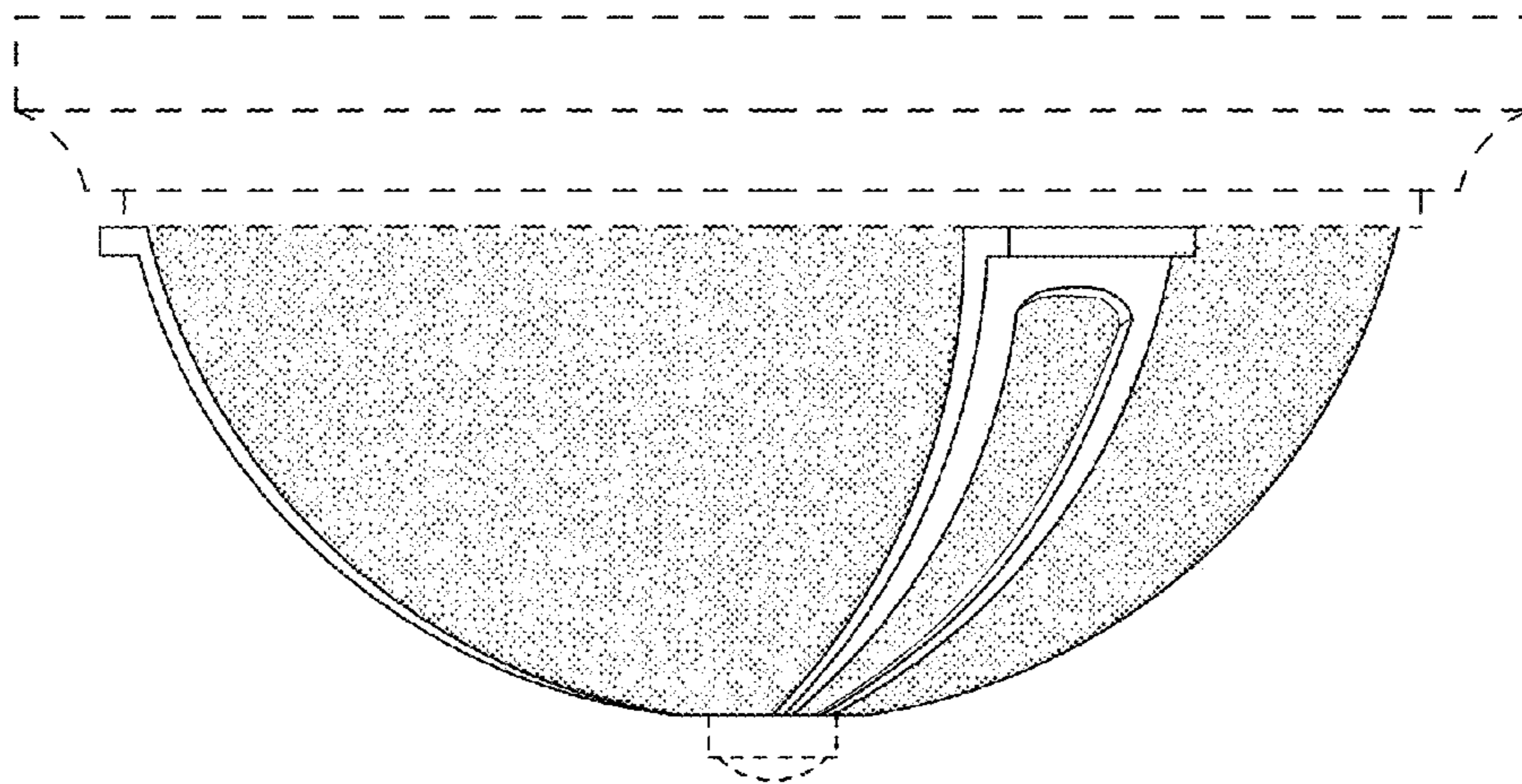


FIG. 5

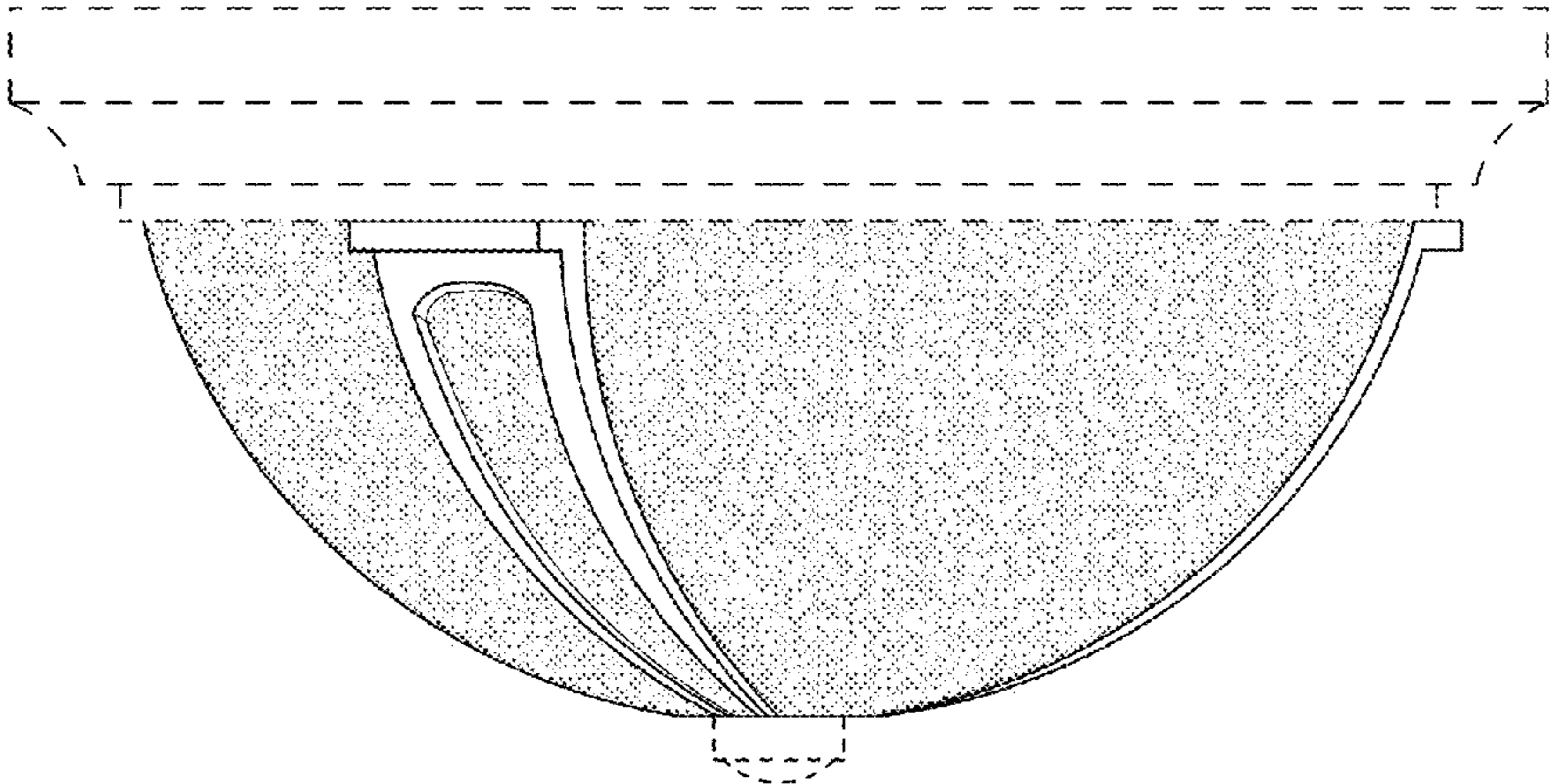


FIG. 6

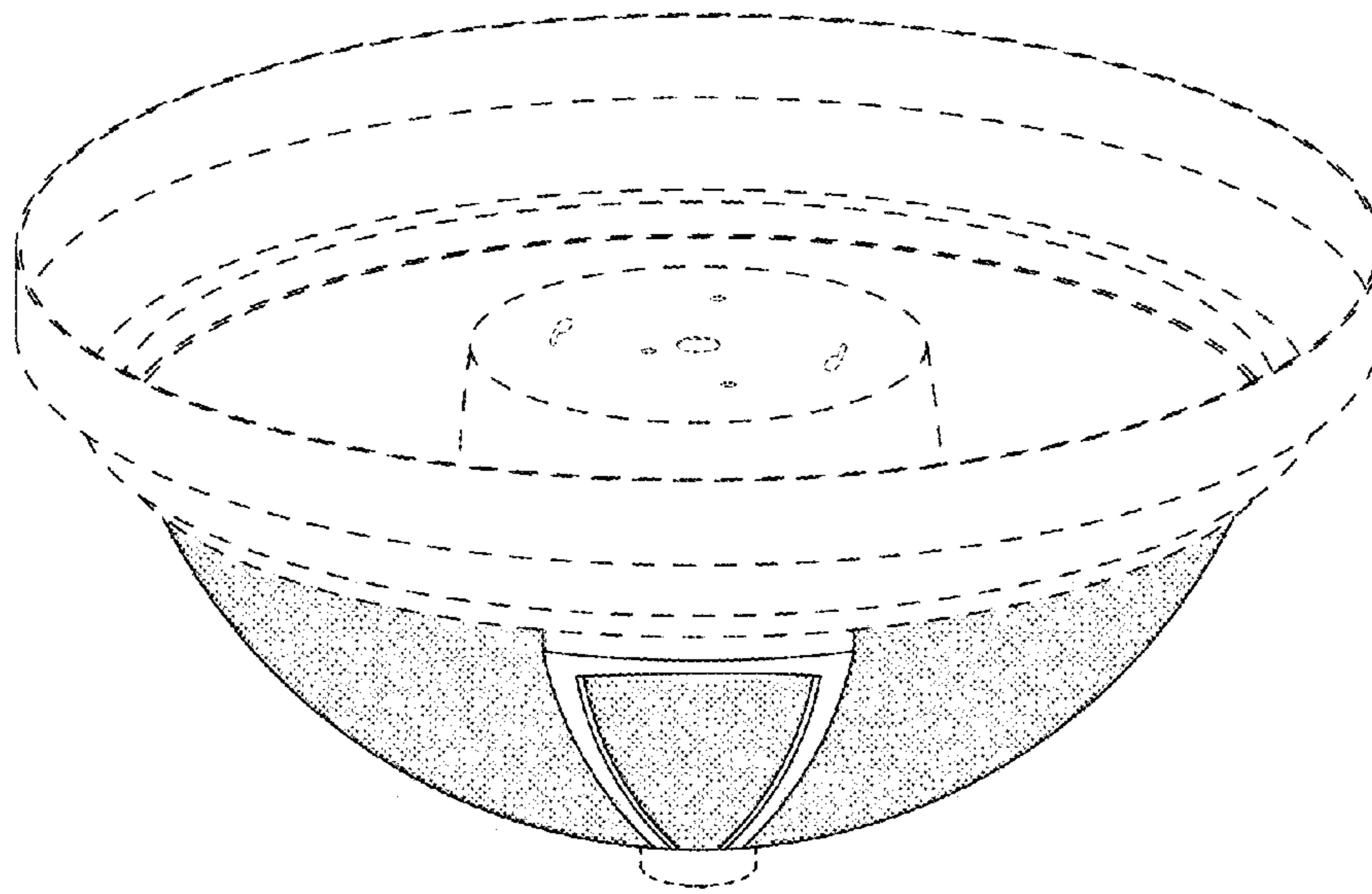


FIG. 7

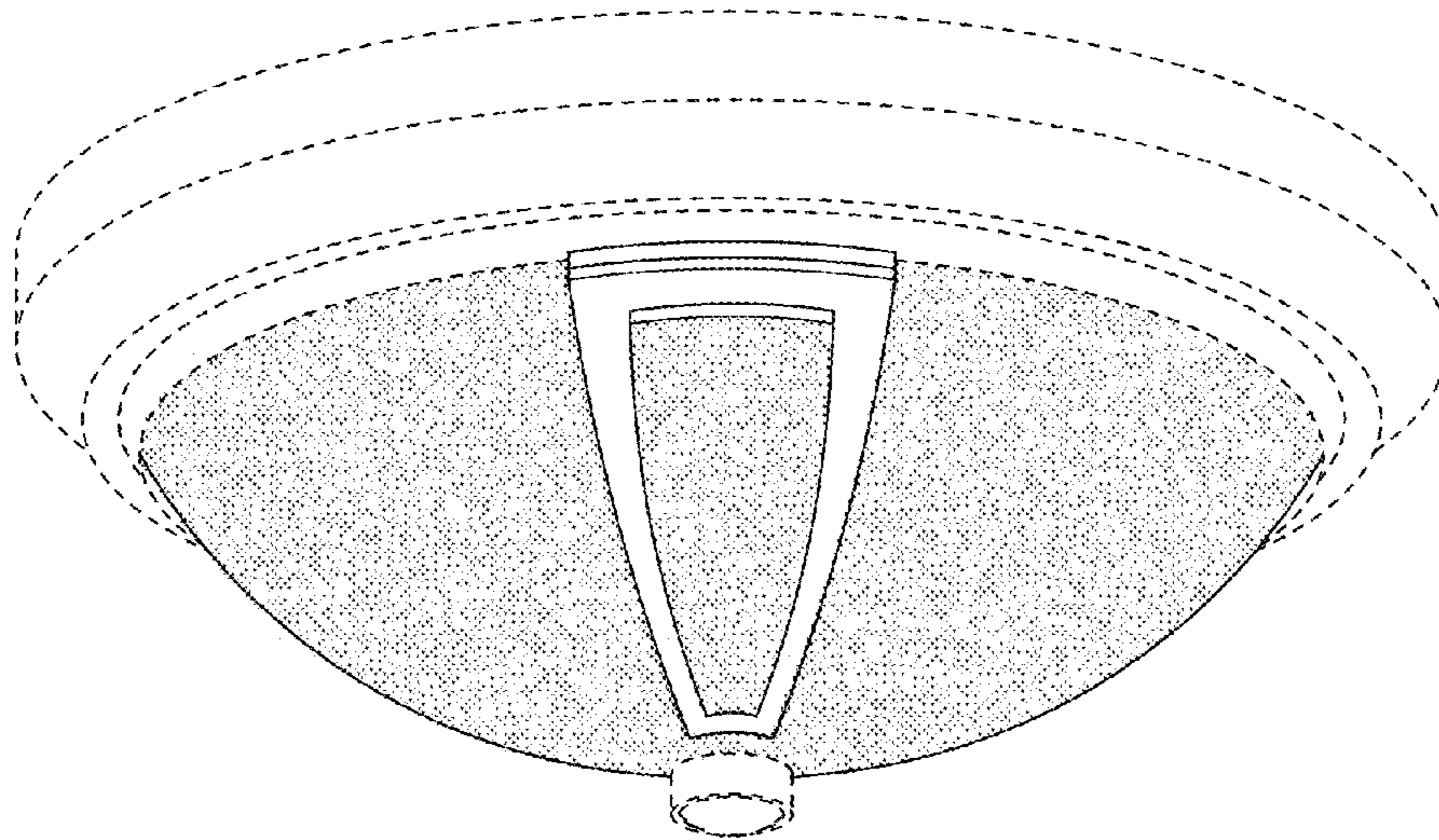


FIG. 8