

US00D695447S

(12) **United States Design Patent**
Speier et al.

(10) **Patent No.:** **US D695,447 S**
(45) **Date of Patent:** **** Dec. 10, 2013**

(54) **LUMINAIRE**

FOREIGN PATENT DOCUMENTS

- (71) Applicant: **Quarkstar LLC**, Las Vegas, NV (US)
- (72) Inventors: **Ingo Speier**, Saanichton (CA); **Andrew Tien-Man Ng**, Vancouver (CA)
- (73) Assignee: **Quarkstar LLC**, Las Vegas, NV (US)

WO W02013023008 A1 2/2013
Primary Examiner — Kevin Rudzinski
 (74) *Attorney, Agent, or Firm* — Fish & Richardson P.C.

(57) **CLAIM**
 The ornamental design for a luminaire, substantially as shown and described.

(**) Term: **14 Years**

DESCRIPTION

- (21) Appl. No.: **29/452,843**
- (22) Filed: **Apr. 22, 2013**
- (51) **LOC (9) Cl.** **26-99**
- (52) **U.S. Cl.**
USPC **D26/118**
- (58) **Field of Classification Search**
USPC D26/152, 113, 118, 119, 154, 61, 62, D26/65, 75, 16, 1, 2, 3, 120, 138, 128, 155, D26/76, 121, 124, 125, 123, 141, 142, 66, D26/68, 86, 71, 72, 77, 78, 151, 145, 74, 85, D26/89, 82, 84, 92, 87, 136, 63, 59, 58, 28, D26/88, 11, 9, 22, 81, 127, 129, 130, 131, D26/133, 134, 135, 55; D13/179, 180; 362/219, 223, 225, 347, 346, 373, 326, 362/283, 249.02, 362, 374, 375, 408, 327, 362/328, 404, 297, 147, 149, 249.03, 362/249.11; D23/377, 411, 413; D11/89, D11/90, 96, 157, 160; D99/27, 26
See application file for complete search history.

FIG. 1 is a front perspective view of a first embodiment of our luminaire.
 FIG. 2 is a front side view of the luminaire of FIG. 1.
 FIG. 3 is a back side view of the luminaire of FIG. 1.
 FIG. 4 is a right end view of the luminaire of FIG. 1.
 FIG. 5 is a left end view of the luminaire of FIG. 1.
 FIG. 6 is a top view of the luminaire of FIG. 1.
 FIG. 7 is a bottom view of the luminaire of FIG. 1.
 FIG. 8 illustrates the profile of the lower surfaces of the luminaire of FIG. 1, as taken in any vertical plane perpendicular to the length of the luminaire.
 FIG. 9 is a front perspective view of a second embodiment of our luminaire.
 FIG. 10 is a front side view of the luminaire of FIG. 9.
 FIG. 11 is a back side view of the luminaire of FIG. 9.
 FIG. 12 is a right end view of the luminaire of FIG. 9.
 FIG. 13 is a left end view of the luminaire of FIG. 9.
 FIG. 14 is a top view of the luminaire of FIG. 9; and,
 FIG. 15 is a bottom view of the luminaire of FIG. 9.
 The broken (dash) lines illustrate environmental features that form no part of the claimed design and indicate, for example, how the claimed design might be extended to form a closed shape, such as a square. The broken (dot-dash) lines indicate boundaries of the claimed design and form no part of the claimed design. For example, a broken (dot-dash) transverse line beyond which all lines are dashed indicates that the design may be employed in products of different lengths.

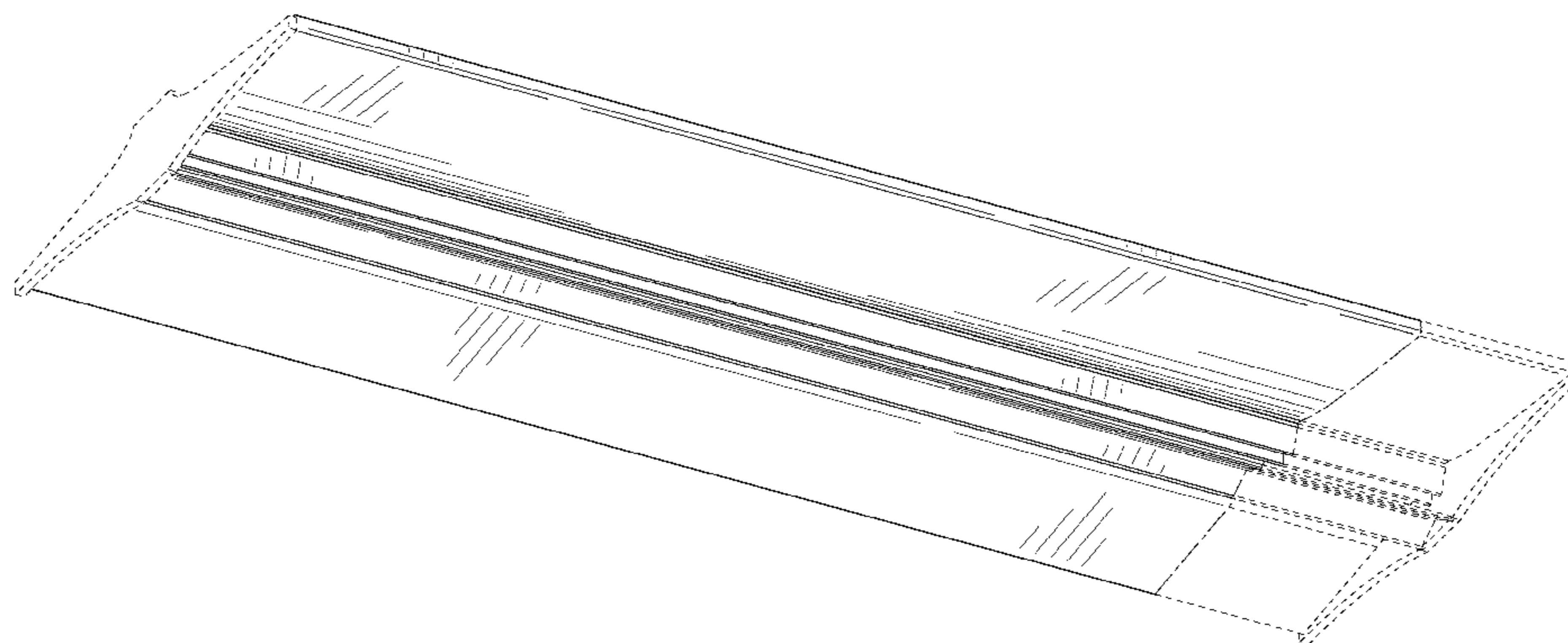
(56) **References Cited**

U.S. PATENT DOCUMENTS

- 1,900,551 A * 3/1933 Guth 362/348
- 2,899,541 A * 8/1959 de Mauro 362/222

(Continued)

1 Claim, 8 Drawing Sheets



(56)

References Cited

U.S. PATENT DOCUMENTS

4,277,166	A *	7/1981	van Boven et al.	355/67	D610,735	S *	2/2010	Chien	D26/76
4,562,517	A *	12/1985	Pankin	362/147	D611,183	S *	3/2010	Duarte	D26/76
D284,110	S *	6/1986	Mullins	D26/76	D644,374	S *	8/2011	Ferrier	D26/118
D314,637	S *	2/1991	Holcomb	D26/120	8,002,446	B1 *	8/2011	Plunk et al.	362/364
5,134,553	A *	7/1992	Hasegawa	362/223	D665,119	S *	8/2012	Bryant	D26/122
5,412,551	A *	5/1995	Newell	362/241	D667,156	S *	9/2012	Pickard et al.	D26/74
D426,338	S *	6/2000	Herst et al.	D26/75	D670,849	S *	11/2012	Lay et al.	D26/74
6,523,975	B1 *	2/2003	Plourde et al.	362/225	D671,253	S *	11/2012	Kim et al.	D26/74
6,655,819	B2 *	12/2003	Loga et al.	362/263	D671,258	S *	11/2012	Ferrier et al.	D26/120
6,746,325	B2 *	6/2004	Crane	454/342	D678,597	S *	3/2013	Lehman et al.	D26/120
D496,121	S *	9/2004	Santoro	D26/74	D683,492	S *	5/2013	McCane	D26/118
7,284,883	B2 *	10/2007	Clark et al.	362/299	D685,122	S *	6/2013	Kim et al.	D26/74
D580,087	S *	11/2008	Couture et al.	D26/76	8,523,383	B1 *	9/2013	Grigore et al.	362/221
D595,894	S *	7/2009	Verfuert et al.	D26/122	2007/0139918	A1 *	6/2007	Laukhuf	362/217
D608,932	S *	1/2010	Castelli	D26/76	2007/0211457	A1 *	9/2007	Mayfield et al.	362/223
					2013/0039050	A1	2/2013	Dau et al.	
					2013/0208495	A1	8/2013	Dau et al.	

* cited by examiner

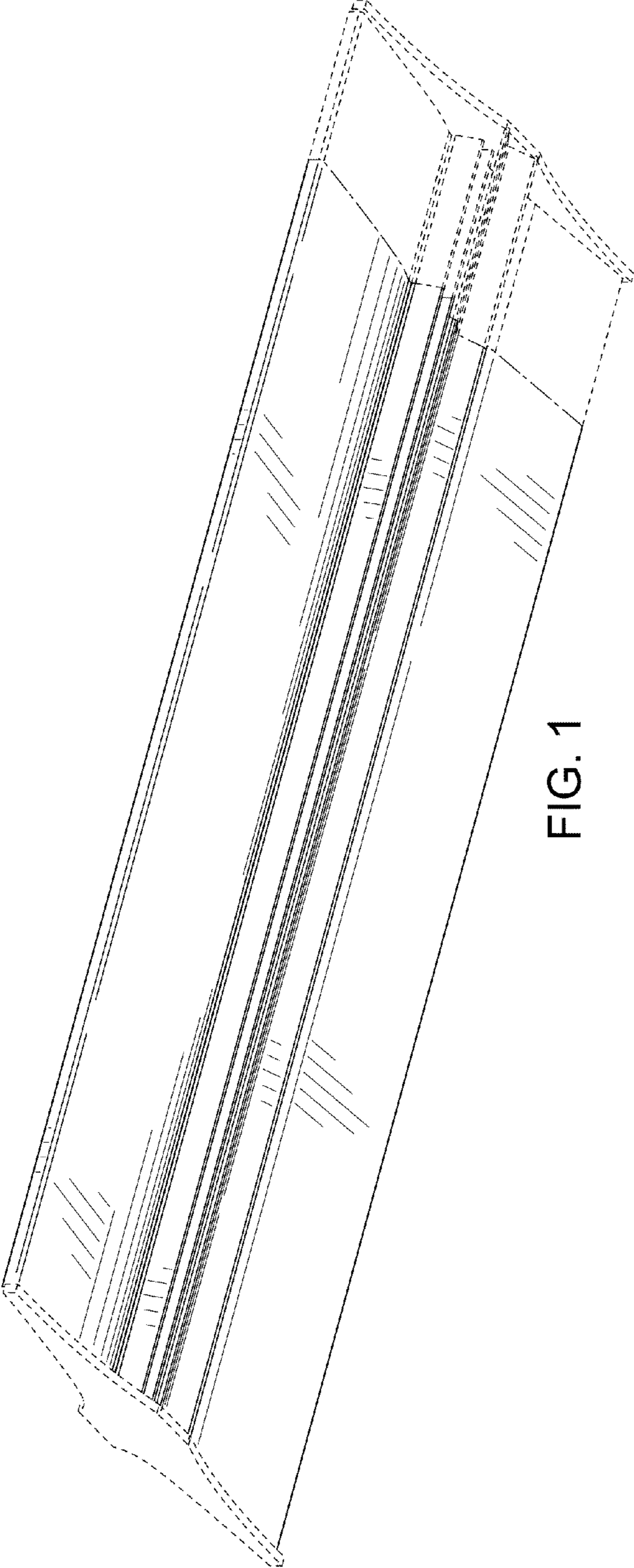


FIG. 1

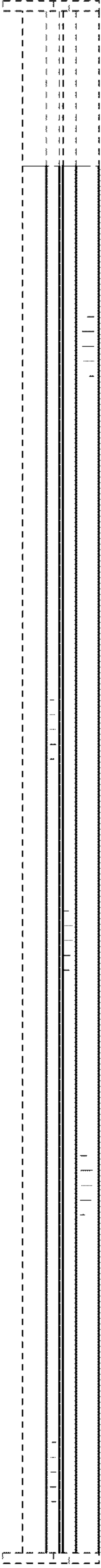


FIG. 2

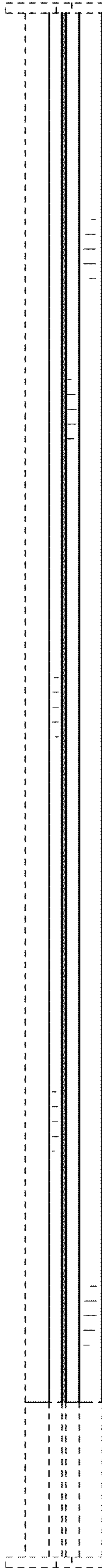


FIG. 3



FIG. 4



FIG. 5

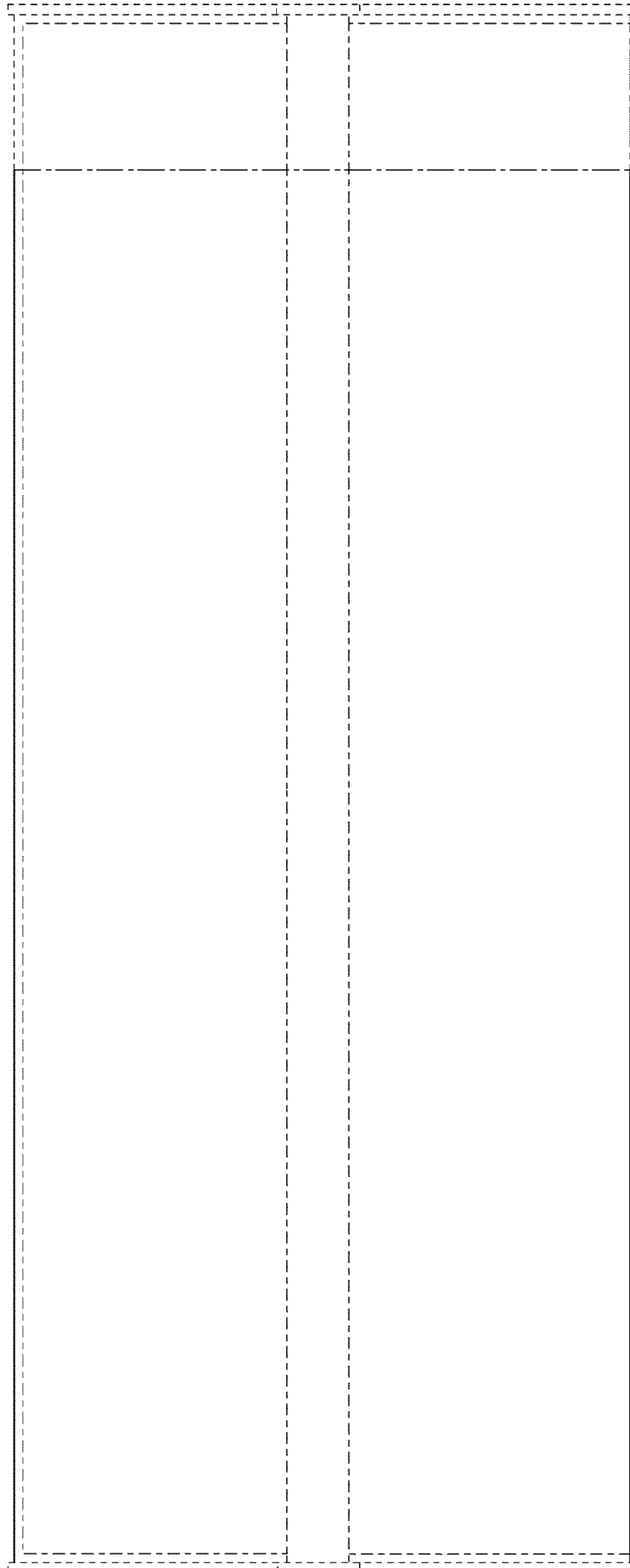


FIG. 6

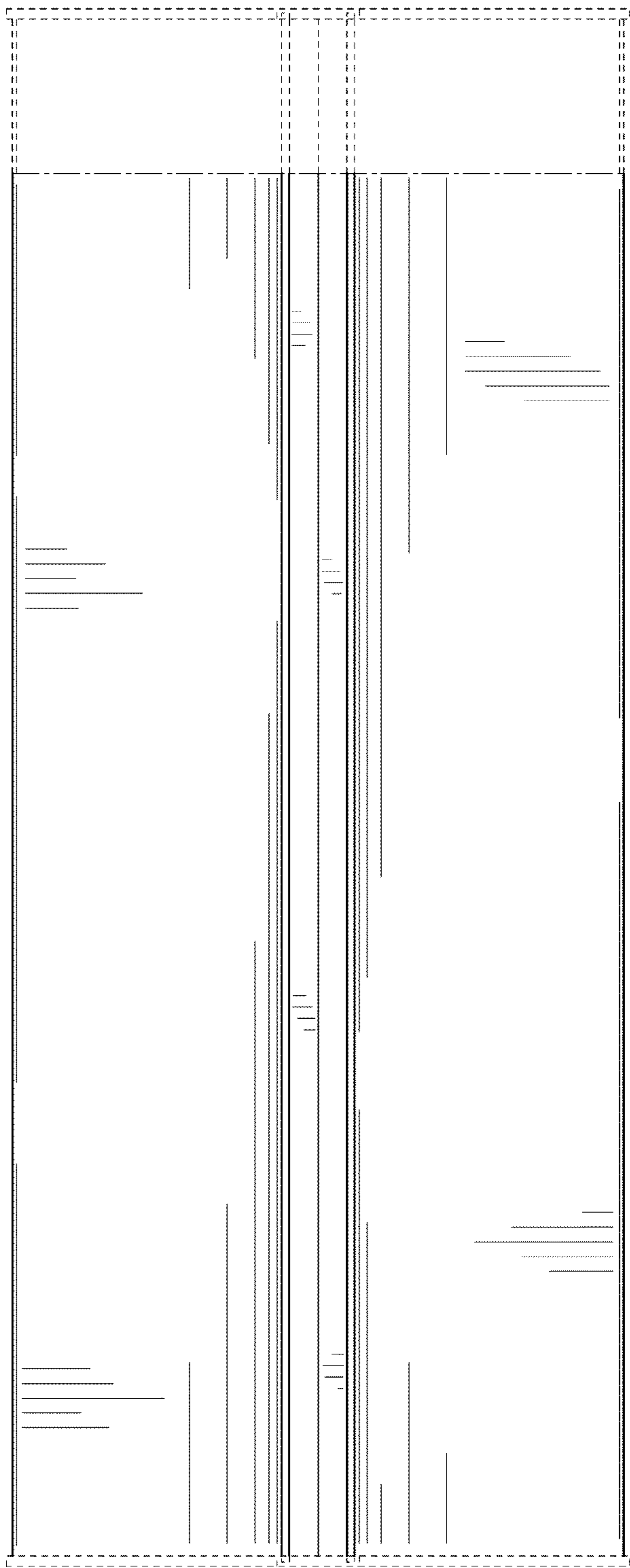


FIG. 7



FIG. 8

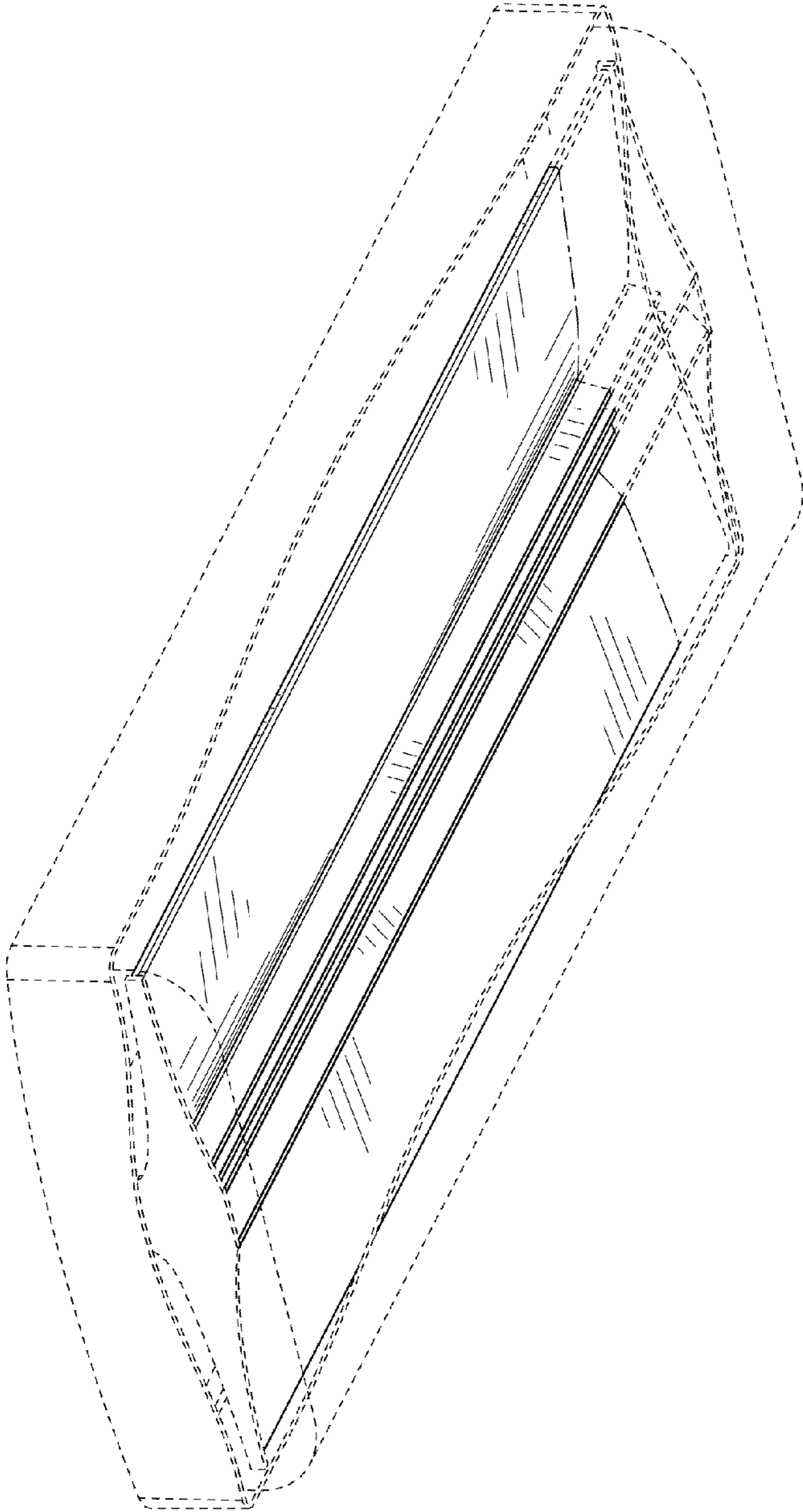


FIG. 9

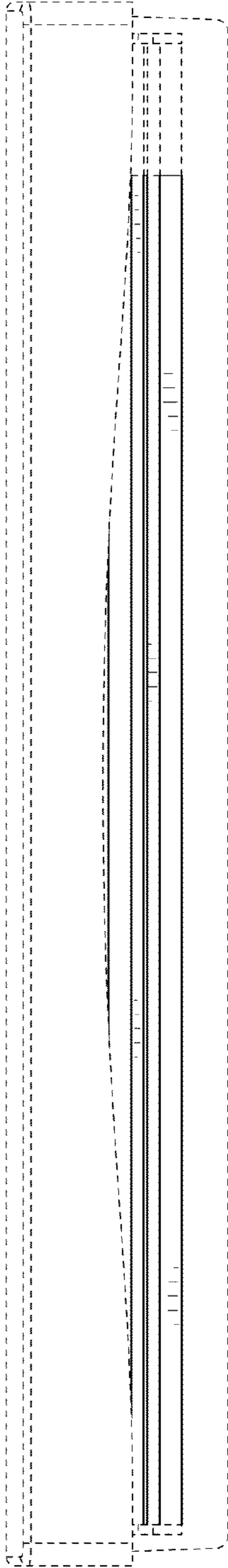


FIG. 10

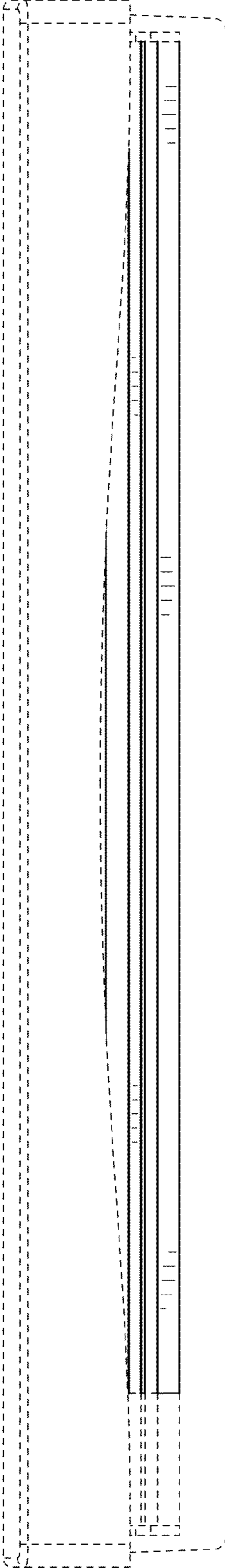


FIG. 11

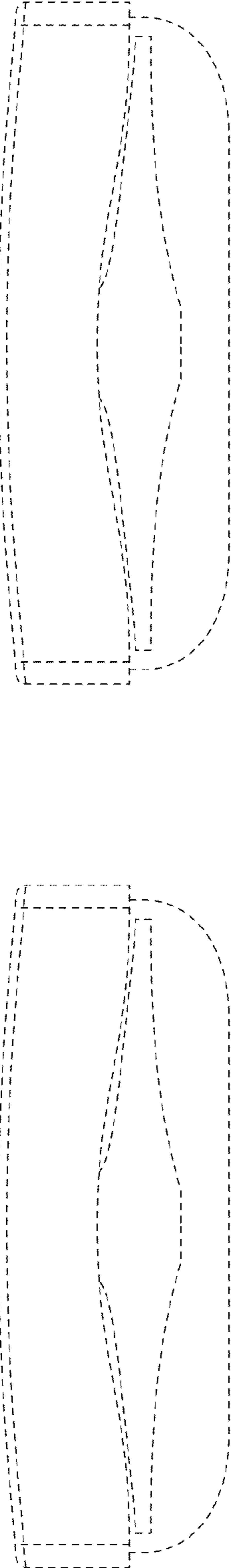


FIG. 12

FIG. 13

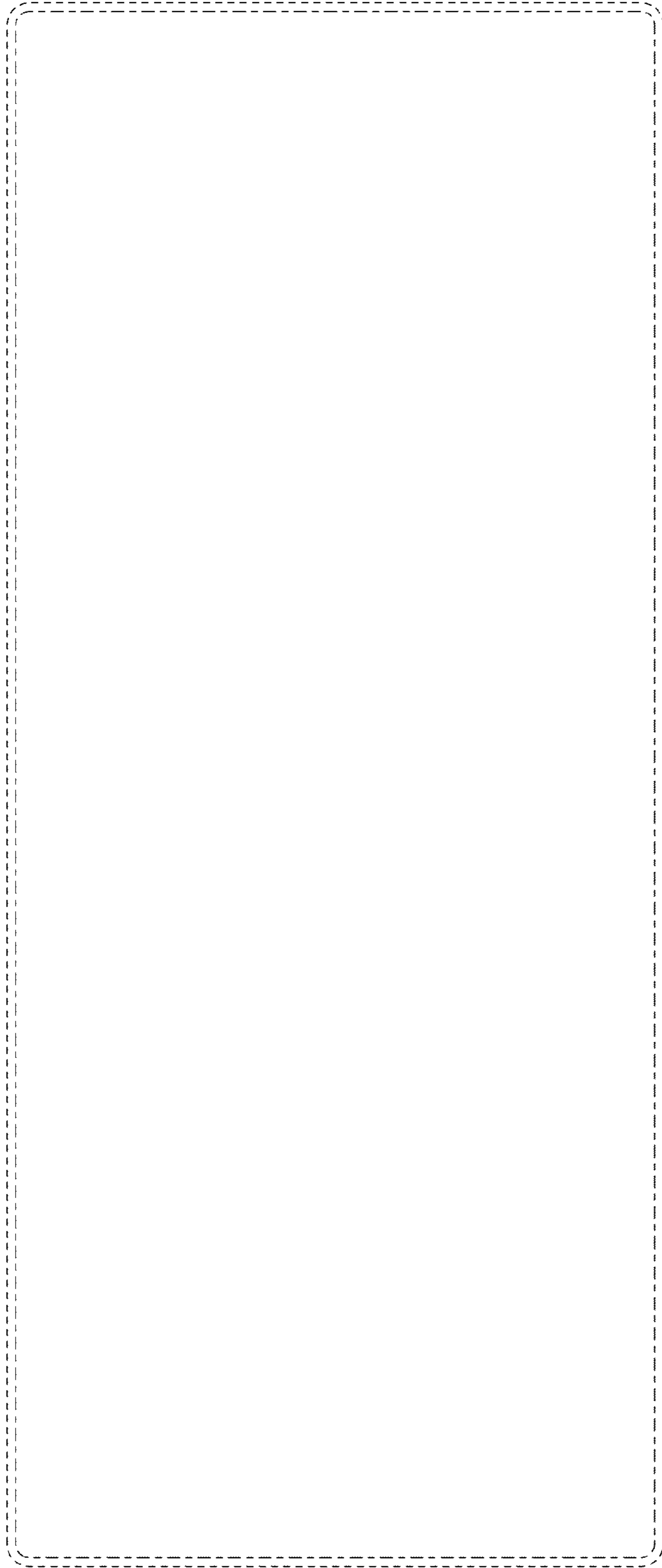


FIG. 14

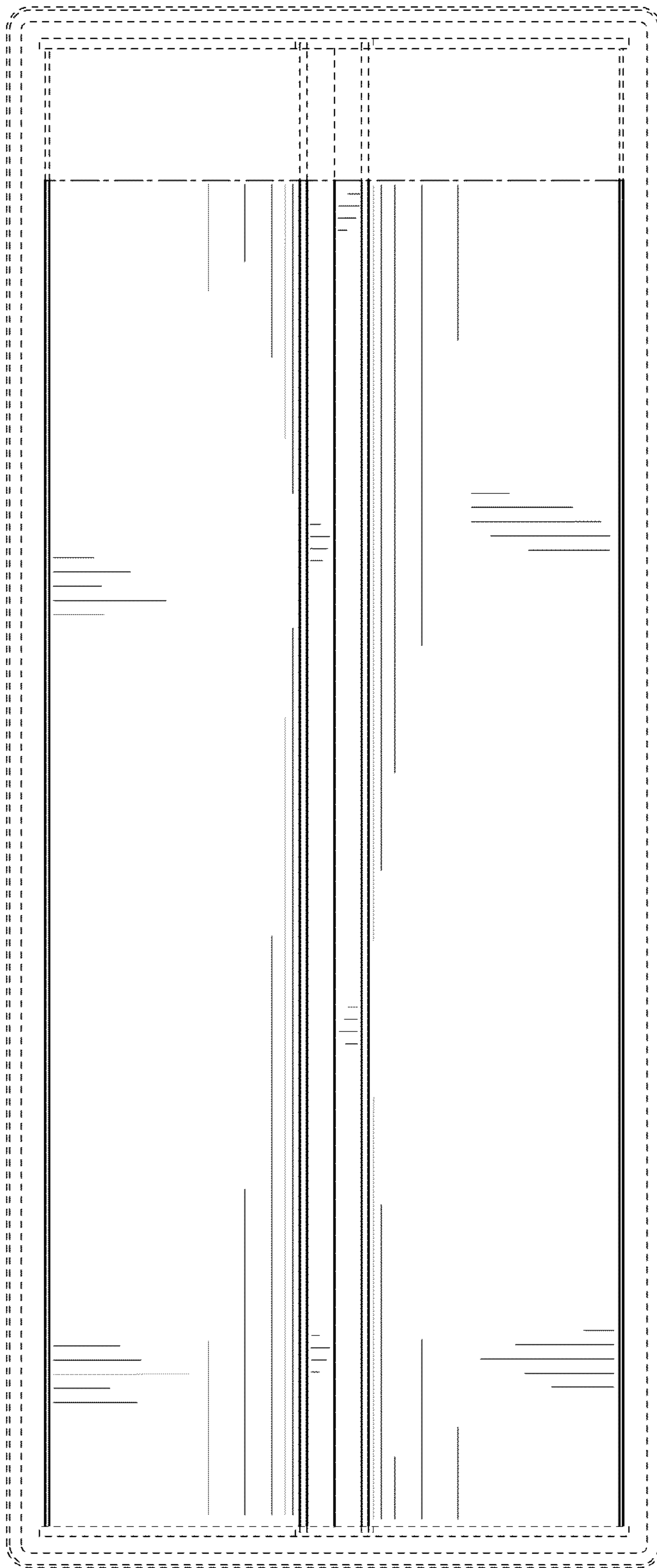


FIG. 15