



US00D695446S

(12) **United States Design Patent**
Eustace

(10) **Patent No.:** **US D695,446 S**

(45) **Date of Patent:** **** Dec. 10, 2013**

(54) **COLLAPSIBLE ACCESSORY HOLDER FOR A LIGHTING DEVICES**

(74) *Attorney, Agent, or Firm* — Sheppard, Mullin, Richter & Hampton LLP

(71) Applicant: **Mole-Richardson Co.**, Hollywood, CA (US)

(57) **CLAIM**

I claim the ornamental design for a collapsible accessory holder for a lighting device, as shown and described.

(72) Inventor: **Brian Eustace**, Sierra Madre, CA (US)

(73) Assignee: **Mole-Richardson Co., Ltd**, Hollywood, CA (US)

DESCRIPTION

(**) Term: **14 Years**

(21) Appl. No.: **29/441,863**

(22) Filed: **Jan. 10, 2013**

(51) **LOC (9) Cl.** **26-99**

(52) **U.S. Cl.**
USPC **D26/118**

(58) **Field of Classification Search**

USPC D26/154, 155, 152, 142, 151, 153, 113, D26/119, 122, 123, 124, 138, 139, 145, 148, D26/146, 147, 121, 125, 126, 74, 75, 144, D26/150, 141, 118, 120, 128, 129, 132, 135, D26/71, 72, 85, 62, 65, 64, 24, 1, 2, 66, 67, D26/68, 73, 89, 86, 87, 88, 25, 26, 61, 63, D26/69; D13/179, 180, 171, 173; D11/90, D11/121, 89; 63/32; 362/253, 257, 333, 362/326, 169, 187, 307, 327, 308, 309, 362, 362/337, 208, 158; 16/442; 359/708, 641, 359/726; D6/581; D9/452, 435, 453, 443

See application file for complete search history.

(56) **References Cited**

U.S. PATENT DOCUMENTS

3,701,897 A * 10/1972 Pennington et al. 362/278
D265,513 S * 7/1982 Thurston D26/85

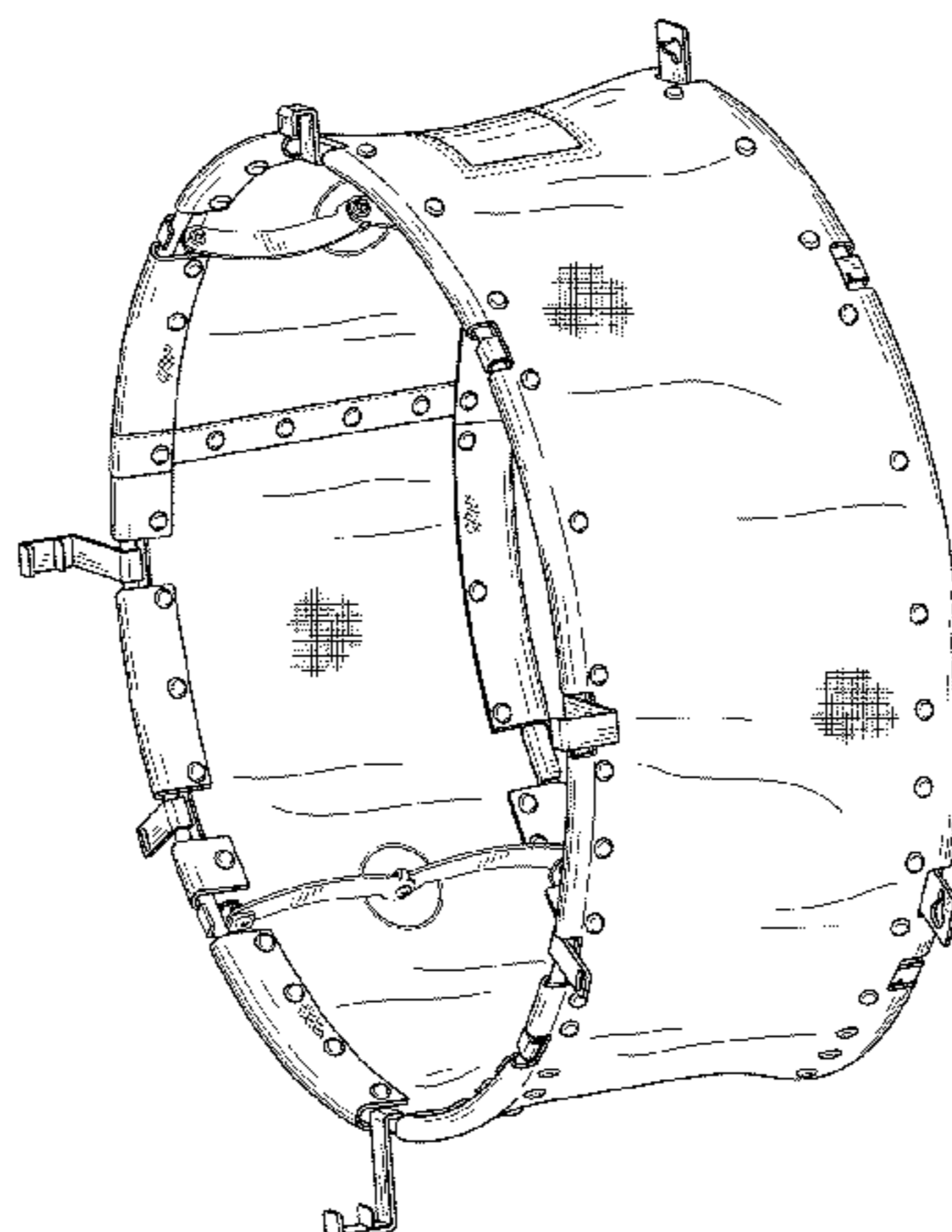
(Continued)

OTHER PUBLICATIONS

Mole-Richardson Co., 5,000 Watt Skylite, 2 pgs. (2008).

Primary Examiner — Kevin Rudzinski

1 Claim, 7 Drawing Sheets



(56)

References Cited

U.S. PATENT DOCUMENTS

4,400,766	A *	8/1983	Munson	362/376	D427,368	S *	6/2000	Kelmelis et al.	D26/152
5,031,084	A *	7/1991	Russo et al.	362/365	D505,512	S *	5/2005	Rugee	D26/84
5,567,046	A *	10/1996	Lucas	362/405	6,921,186	B1 *	7/2005	Viskovich	362/404
D382,663	S *	8/1997	Barry	D26/72	D521,176	S *	5/2006	Rugee	D26/84
5,906,430	A *	5/1999	Bayer	362/404	D538,460	S *	3/2007	Rugee	D26/84
					D665,121	S *	8/2012	Smith	D26/128
					D674,962	S *	1/2013	Drake et al.	D26/118
					2004/0141328	A1 *	7/2004	Stone et al.	362/405

* cited by examiner

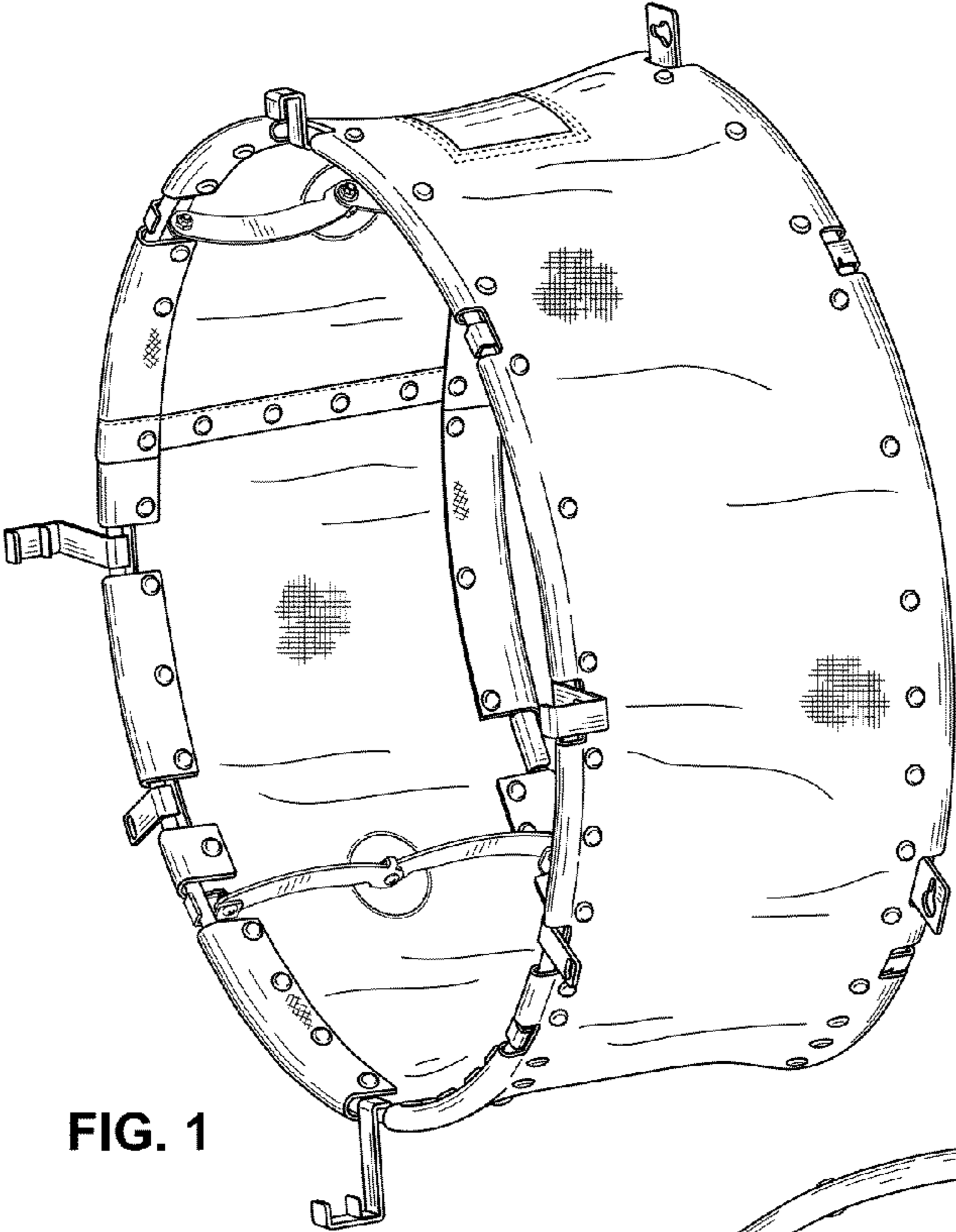


FIG. 1

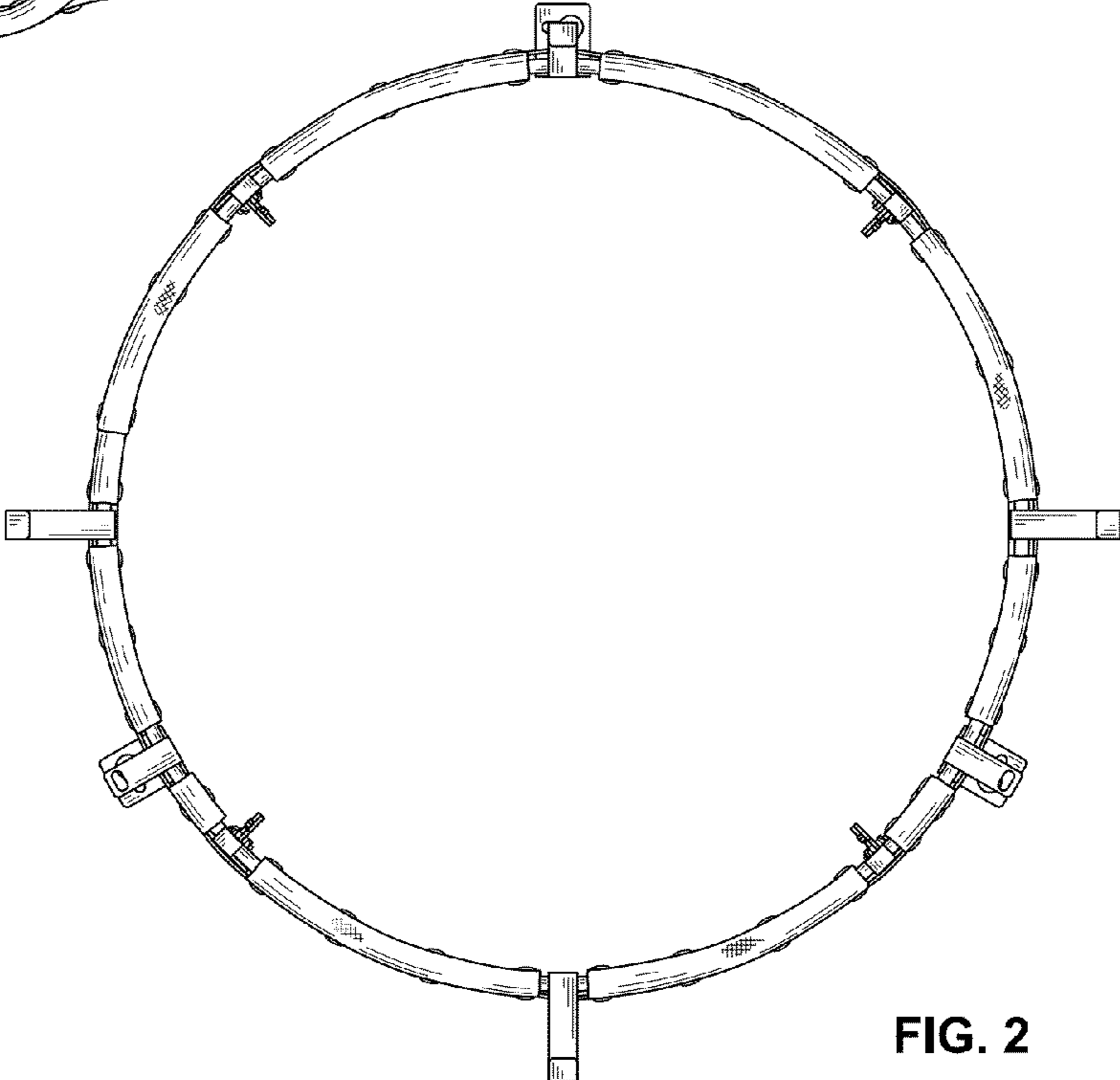


FIG. 2

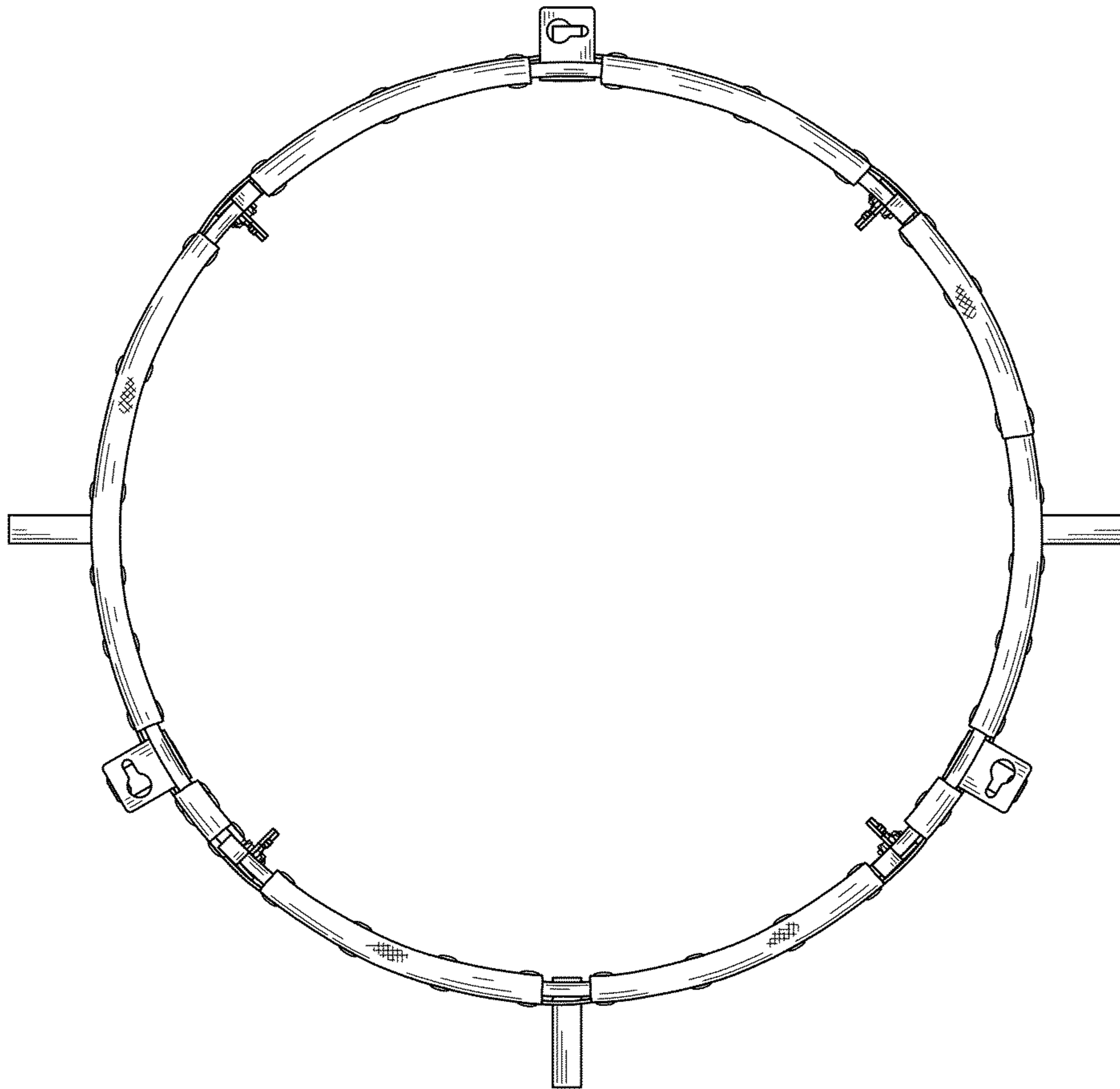


FIG. 3

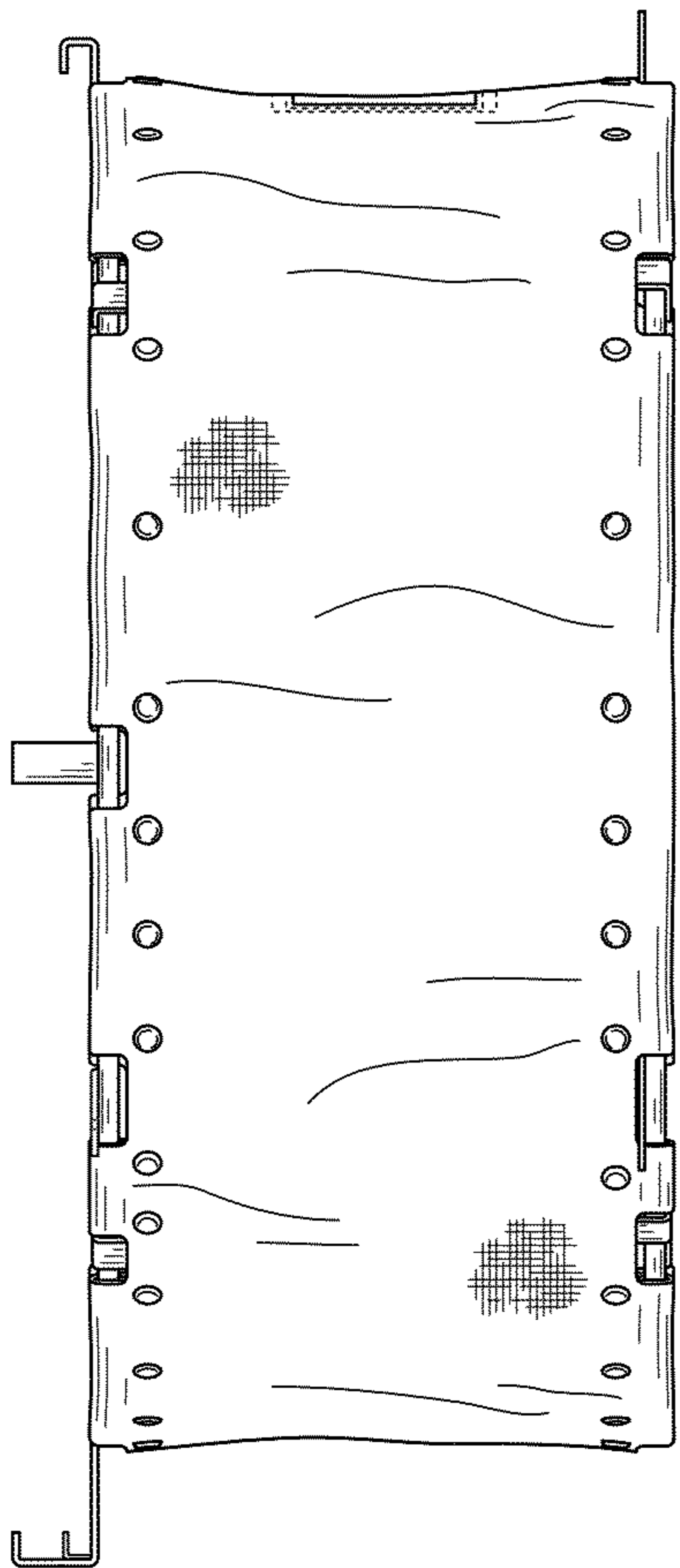


FIG. 4

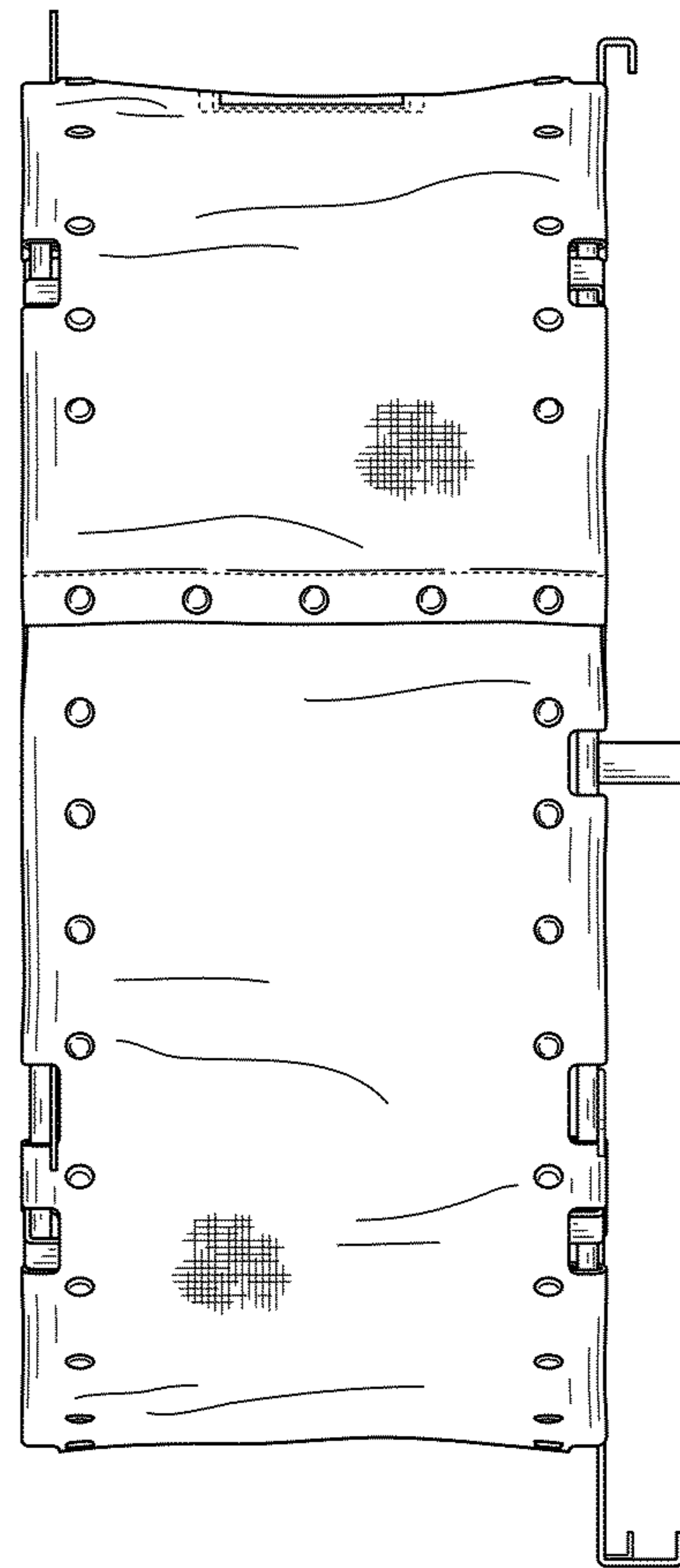


FIG. 5

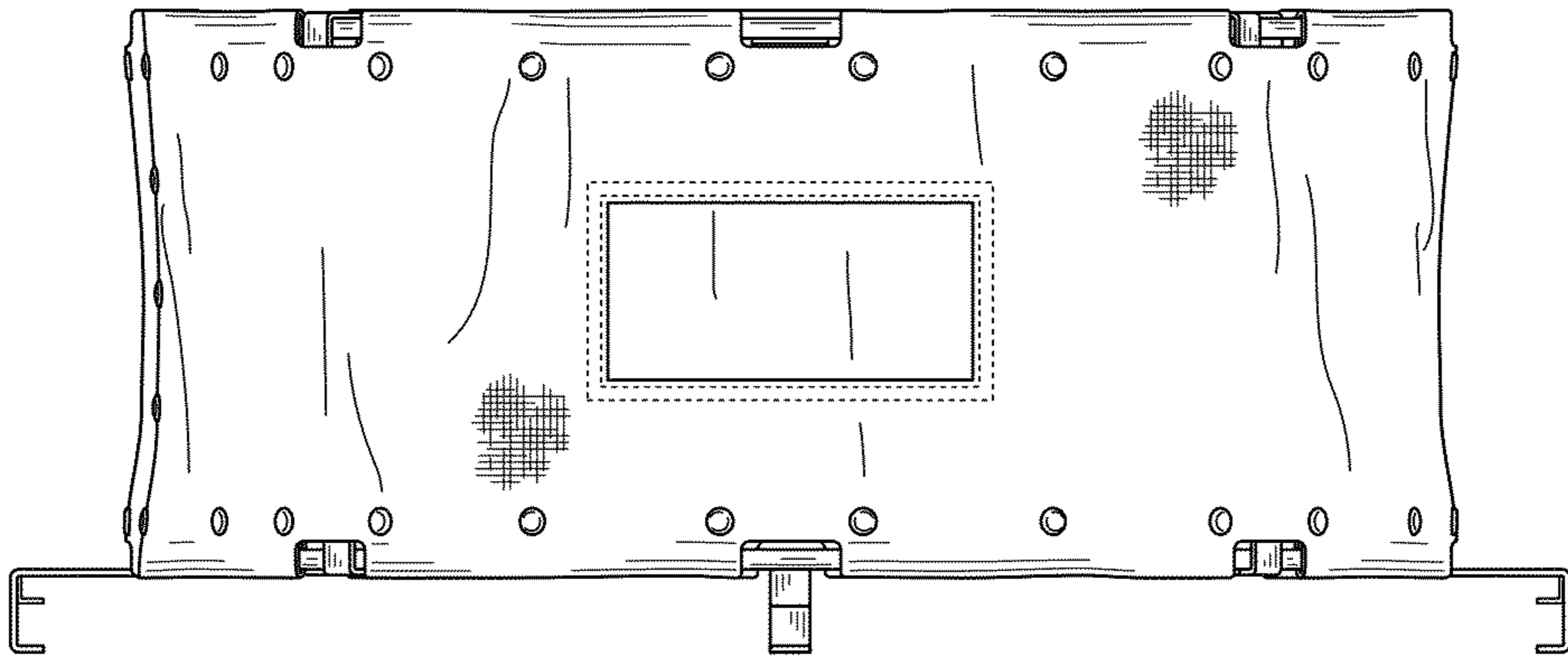


FIG. 6

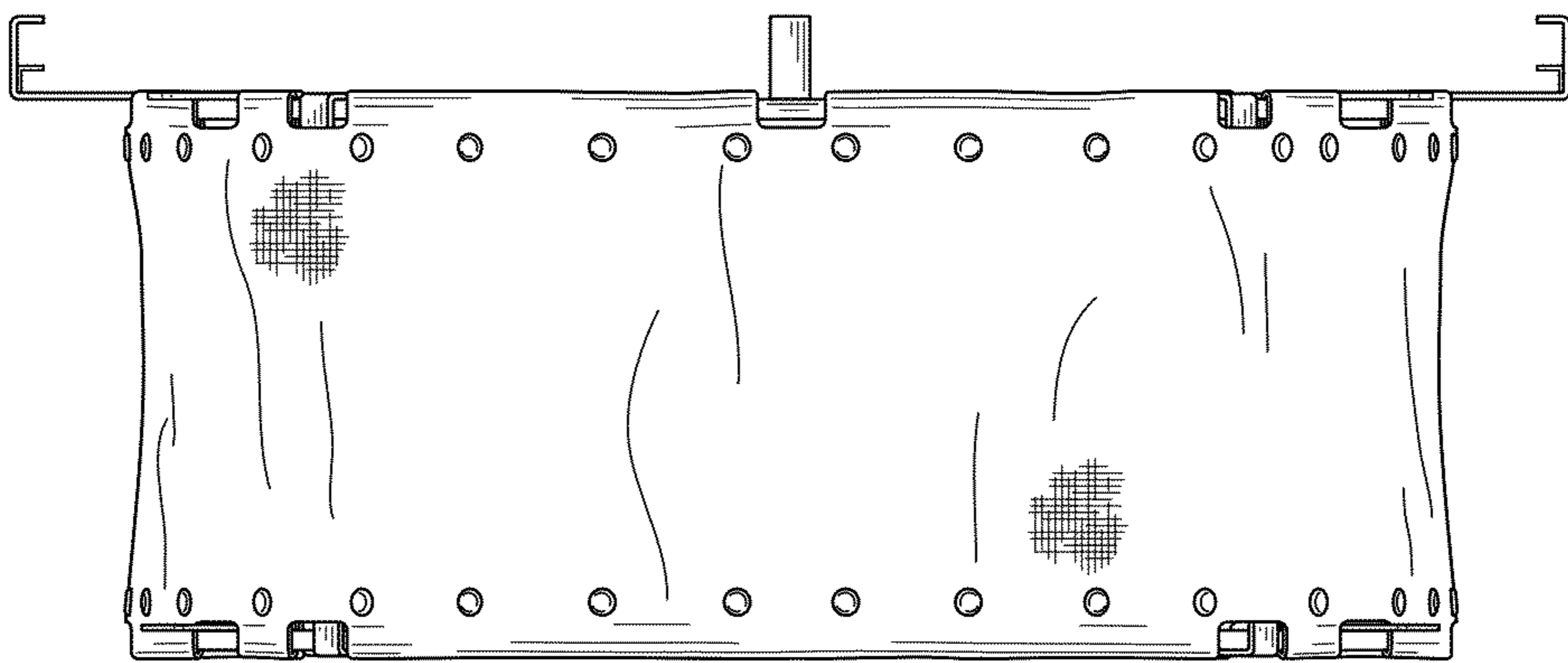


FIG. 7

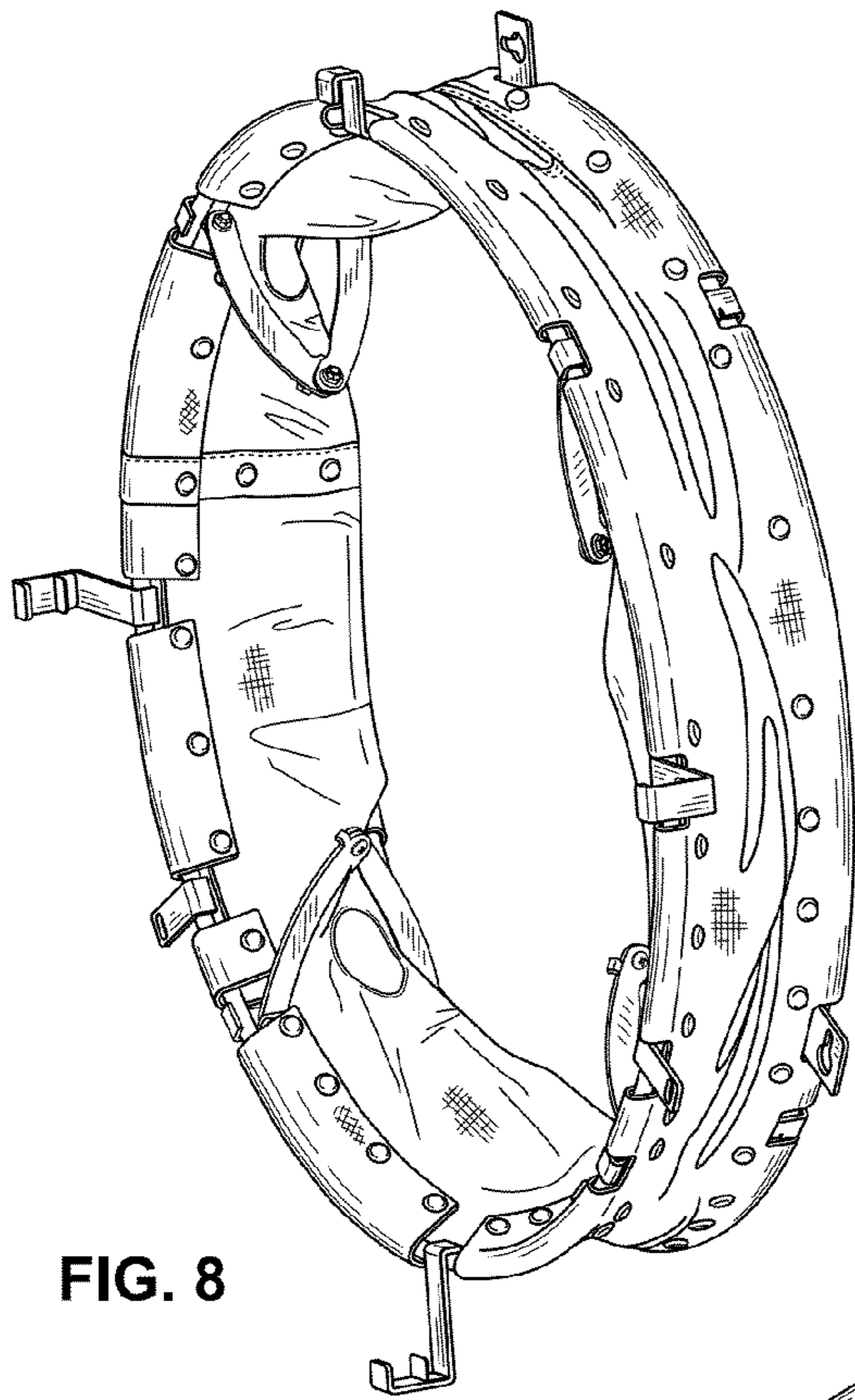


FIG. 8

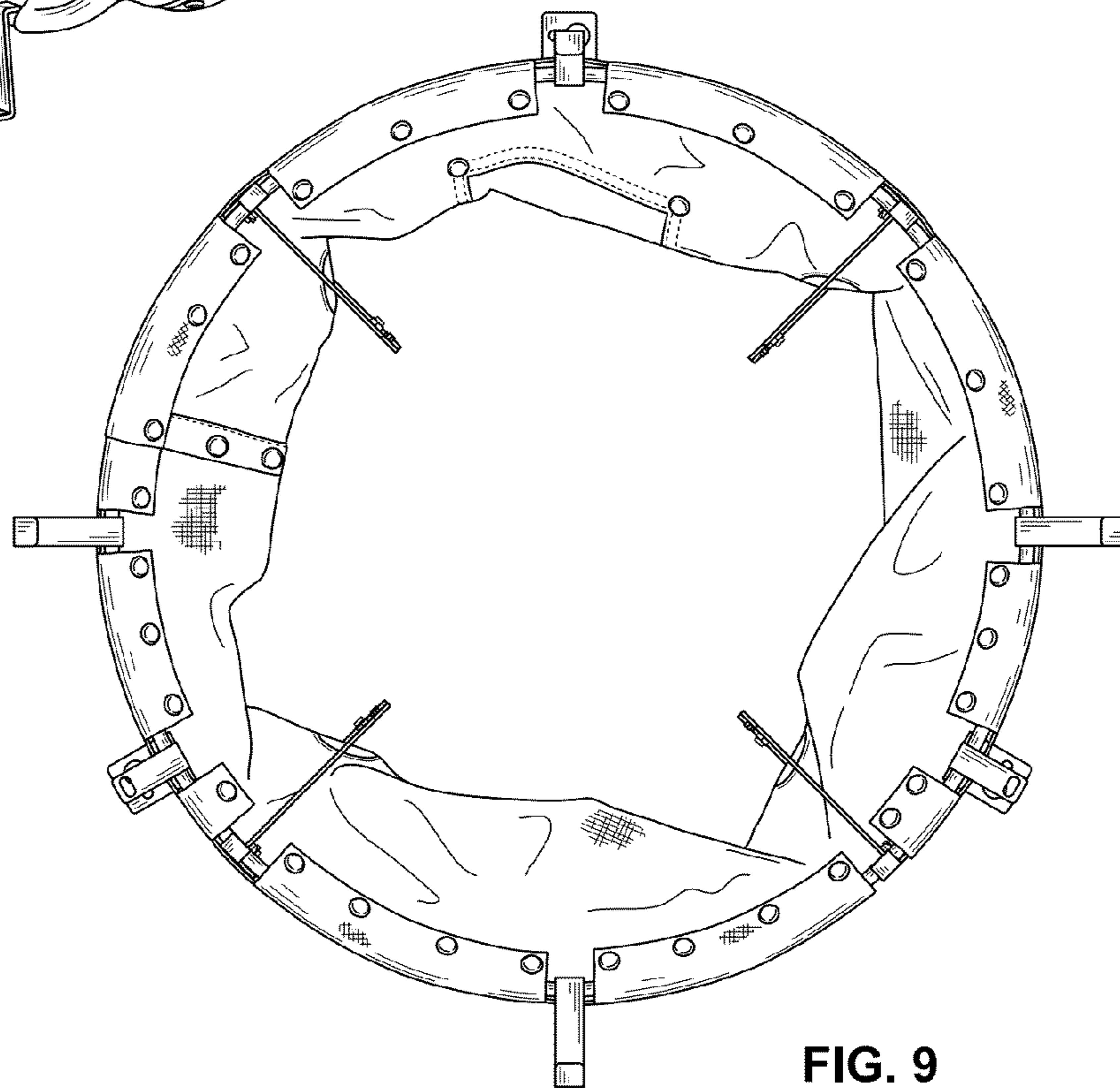


FIG. 9

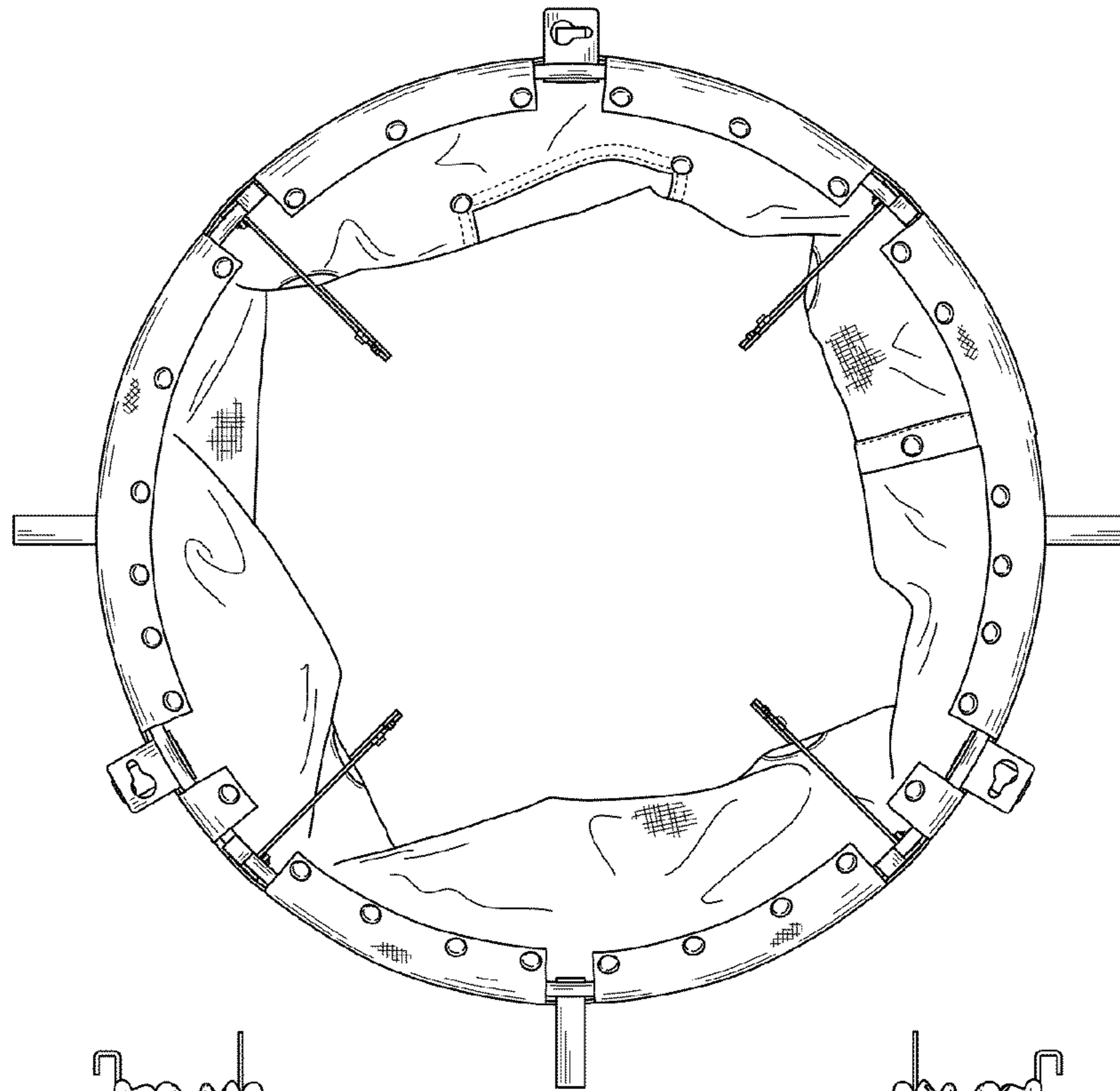


FIG. 10

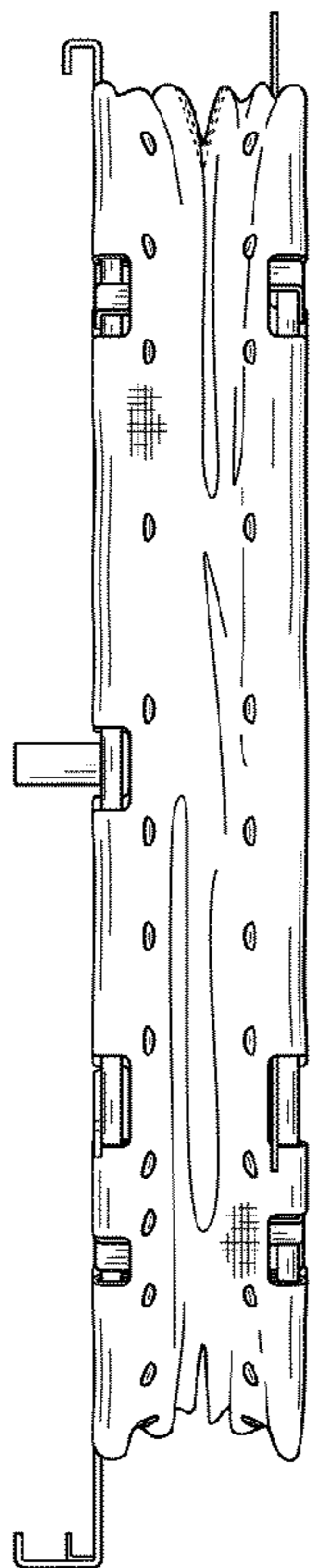


FIG. 11

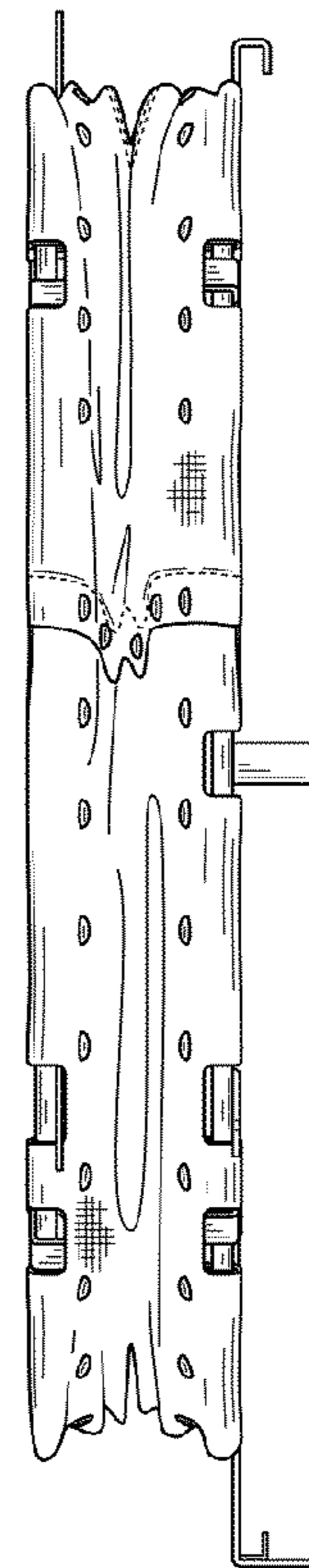


FIG. 12

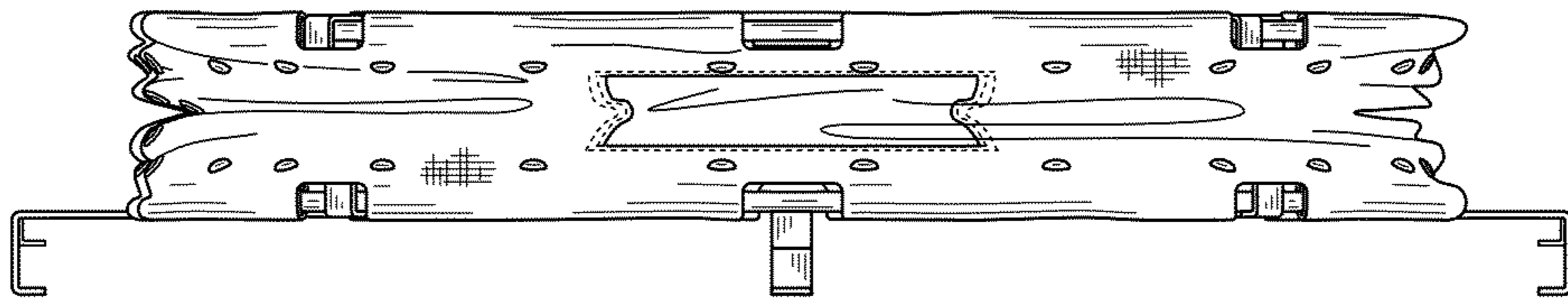


FIG. 13

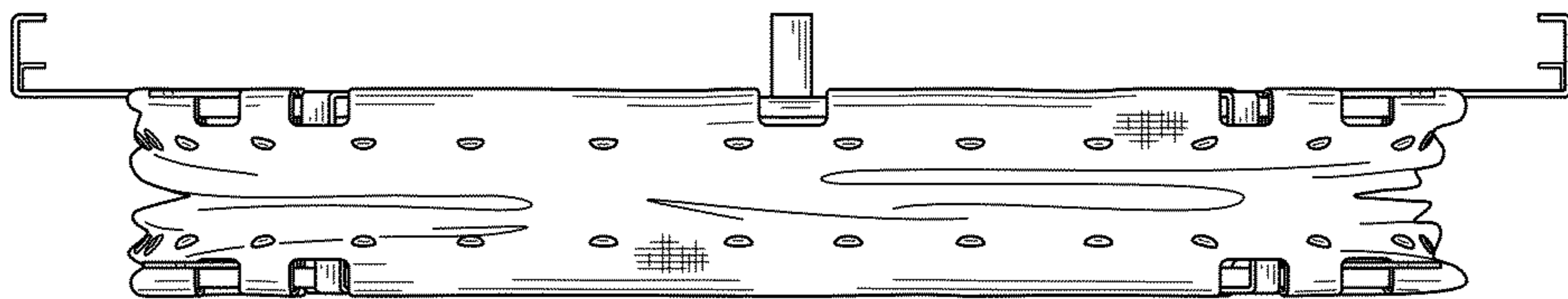


FIG. 14