

US00D695439S

(12) **United States Design Patent**
Kim et al.

(10) **Patent No.:** **US D695,439 S**

(45) **Date of Patent:** **** Dec. 10, 2013**

(54) **LED LAMP**

(75) Inventors: **Hwa Young Kim**, Seoul (KR); **Jin Wook Kim**, Seoul (KR); **Il Yeong Kang**, Seoul (KR); **Han Gyoul Kim**, Seoul (KR)

(73) Assignee: **LG Innotek Co., Ltd.**, Seoul (KR)

(**) Term: **14 Years**

(21) Appl. No.: **29/401,187**

(22) Filed: **Sep. 8, 2011**

(30) **Foreign Application Priority Data**

Mar. 9, 2011 (KR) 30-2011-0009530

(51) **LOC (9) Cl.** **26-03**

(52) **U.S. Cl.**
USPC **D26/72**

(58) **Field of Classification Search**
USPC D26/72, 74, 75, 76, 77, 78, 79, 80, 81, 82, 83, 84, 85, 88, 89, 90, 122; 362/145, 146, 147, 148, 150, 151, 152, 362/153, 153.1, 217.01, 217.02, 217.05, 362/217.06, 217.07, 217.08, 217.09, 217.1, 362/217.11, 249.02, 260, 296.07, 311.02

See application file for complete search history.

(56) **References Cited**

U.S. PATENT DOCUMENTS

D496,746	S	*	9/2004	Herst et al.	D26/76
D545,475	S	*	6/2007	Hargreaves	D26/76
D570,026	S	*	5/2008	Waldmann	D26/76
D599,945	S	*	9/2009	Pfund	D26/76
D626,268	S	*	10/2010	Santoro	D26/76
D636,108	S	*	4/2011	Nguyen et al.	D26/76
D655,854	S	*	3/2012	Kim et al.	D26/76

* cited by examiner

Primary Examiner — Brian N Vinson

(74) *Attorney, Agent, or Firm* — Lowe Hauptman & Ham LLP

(57) **CLAIM**

The ornamental design for a LED lamp, as shown and described.

DESCRIPTION

FIG. 1 is a perspective view of a LED lamp showing my/our new design;
FIG. 2 is a front elevational view thereof, the rear side being a mirror image;
FIG. 3 is a left side elevational view thereof, the right side being a mirror image;
FIG. 4 is a top plan view thereof; and,
FIG. 5 is a bottom plan view thereof.

1 Claim, 3 Drawing Sheets

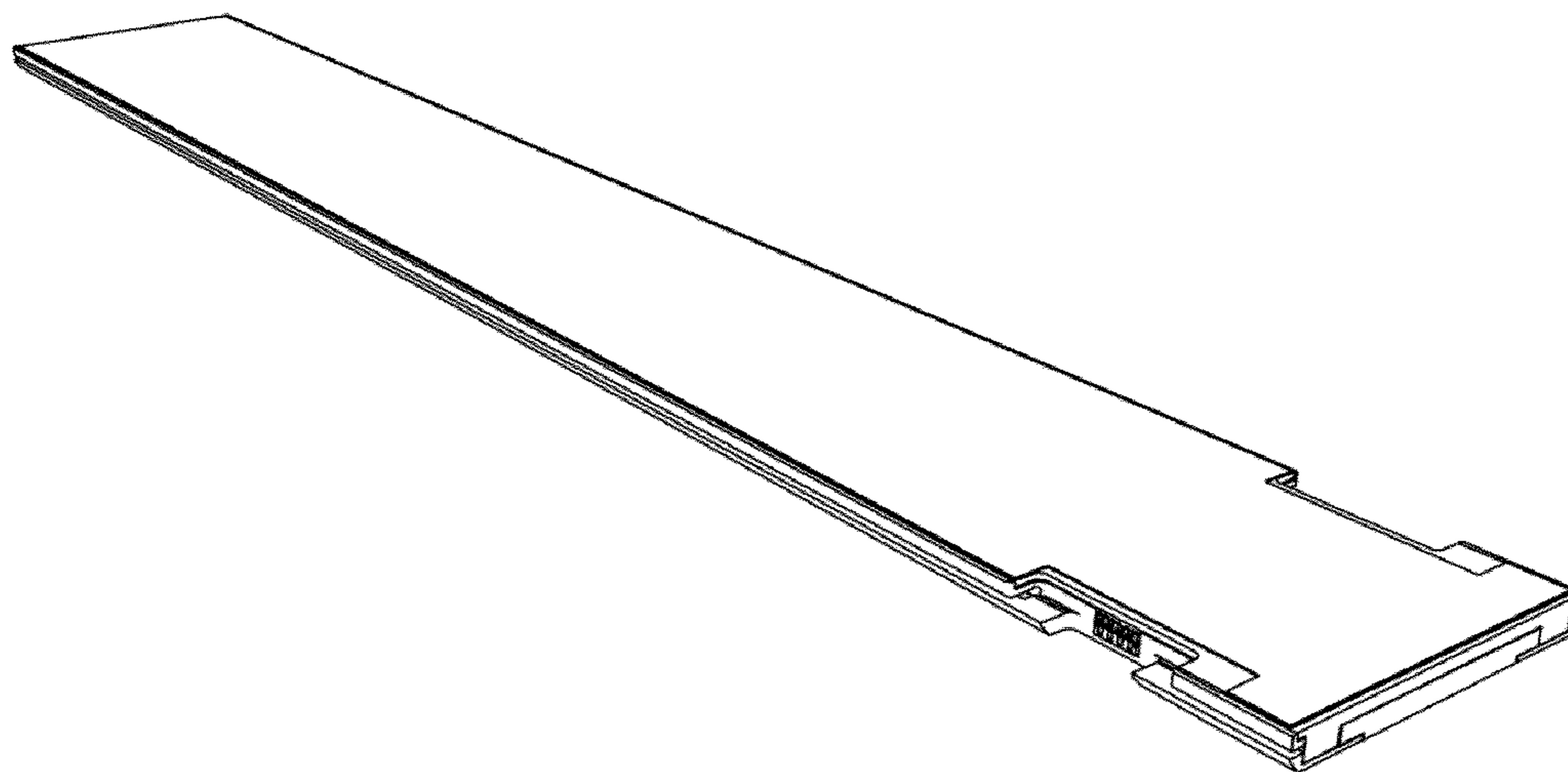


FIG. 1

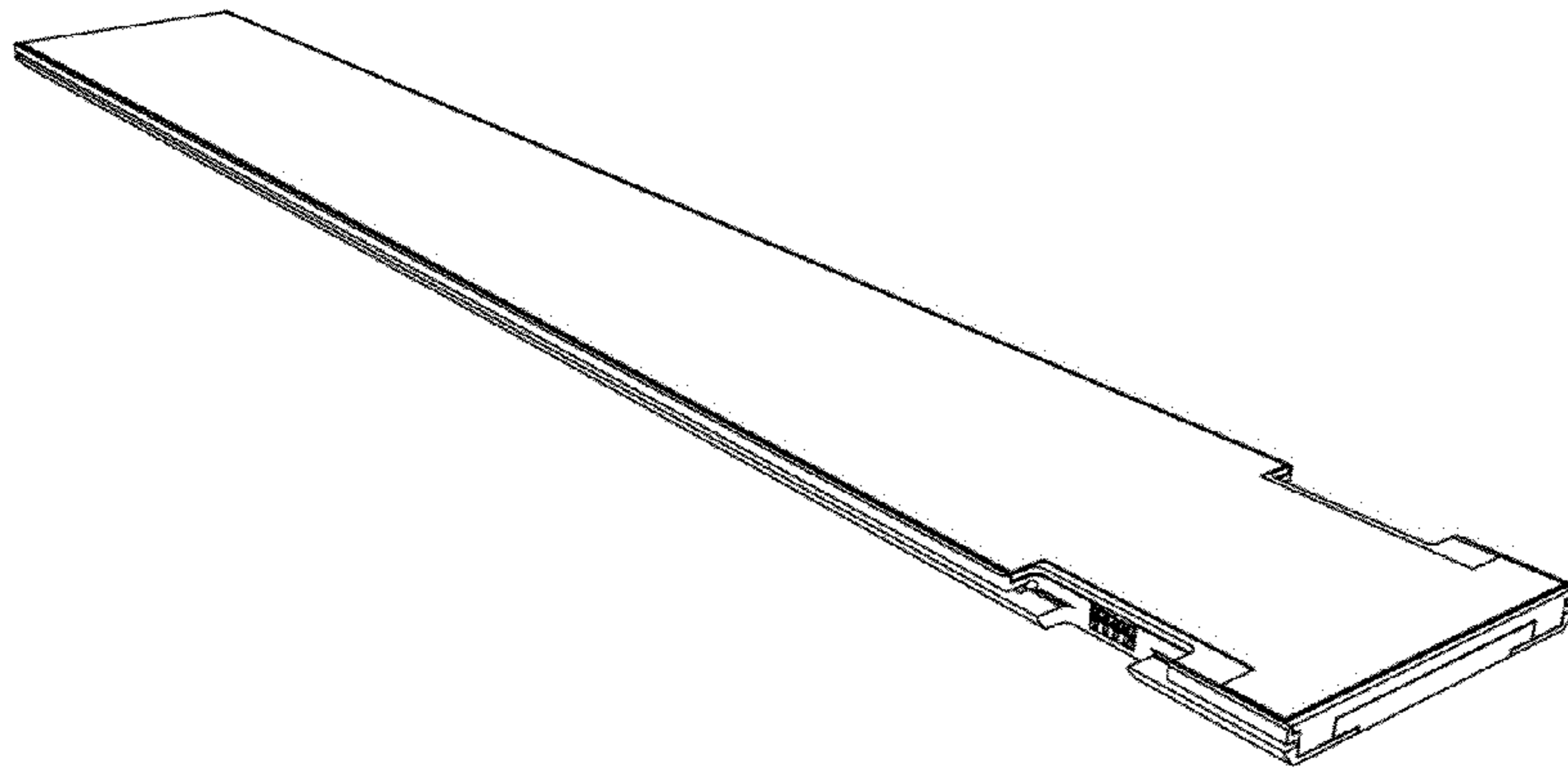


FIG. 2



FIG. 3

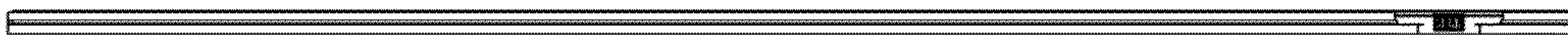


FIG. 4

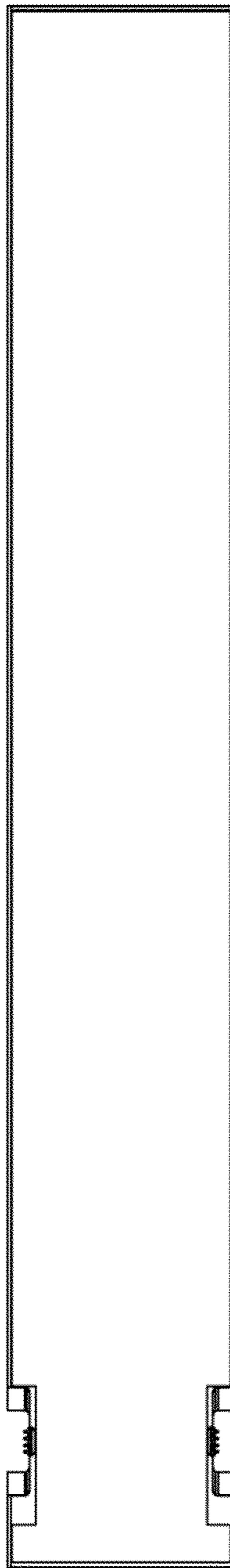


FIG. 5

