



US00D695437S

(12) **United States Design Patent**
Johnson et al.

(10) **Patent No.:** **US D695,437 S**

(45) **Date of Patent:** **** Dec. 10, 2013**

(54) **ROADWAY LAMP FIXTURE**

D665,940 S 8/2012 Lane et al.
D666,759 S 9/2012 Lane et al.
D673,318 S * 12/2012 Lane et al. D26/71

(71) Applicant: **GE Lighting Solutions, LLC.**, East
Cleveland, OH (US)

OTHER PUBLICATIONS

(72) Inventors: **David Mark Johnson**, East Flat Rock,
NC (US); **Kenneth Alden Lane**, East
Flat Rock, NC (US)

Evolve™ LED Roadway Lighting :Scalable Cobrahead (ERS1,
ERS2, ERS3 & ERS4), GE Lighting Solutions, LLC, East Cleveland
OH, Dec. 19, 2011.

(73) Assignee: **GE Lighting Solutions, LLC**, East
Cleveland, OH (US)

* cited by examiner

(**) Term: **14 Years**

Primary Examiner — Clare E Heflin

(21) Appl. No.: **29/437,565**

(74) *Attorney, Agent, or Firm* — Peter T. DiMauro; Global
Patent Operation

(22) Filed: **Nov. 19, 2012**

(57) **CLAIM**

(51) **LOC (9) Cl.** **26-05**

The ornamental design for a roadway lamp fixture, as shown
and described.

(52) **U.S. Cl.**

USPC **D26/71**

(58) **Field of Classification Search**

USPC D26/67-71, 92; 362/249.01-249.06,
362/294, 373, 431

DESCRIPTION

See application file for complete search history.

FIG. 1 is a front perspective view of a roadway lamp fixture
showing our new design;
FIG. 2 is a top plan view thereof;
FIG. 3 is a bottom plan view thereof;
FIG. 4 is a right side elevational view thereof, the left side
elevational view being a mirror image thereof;
FIG. 5 is a front elevational view thereof; and,
FIG. 6 is a rear elevational view thereof.

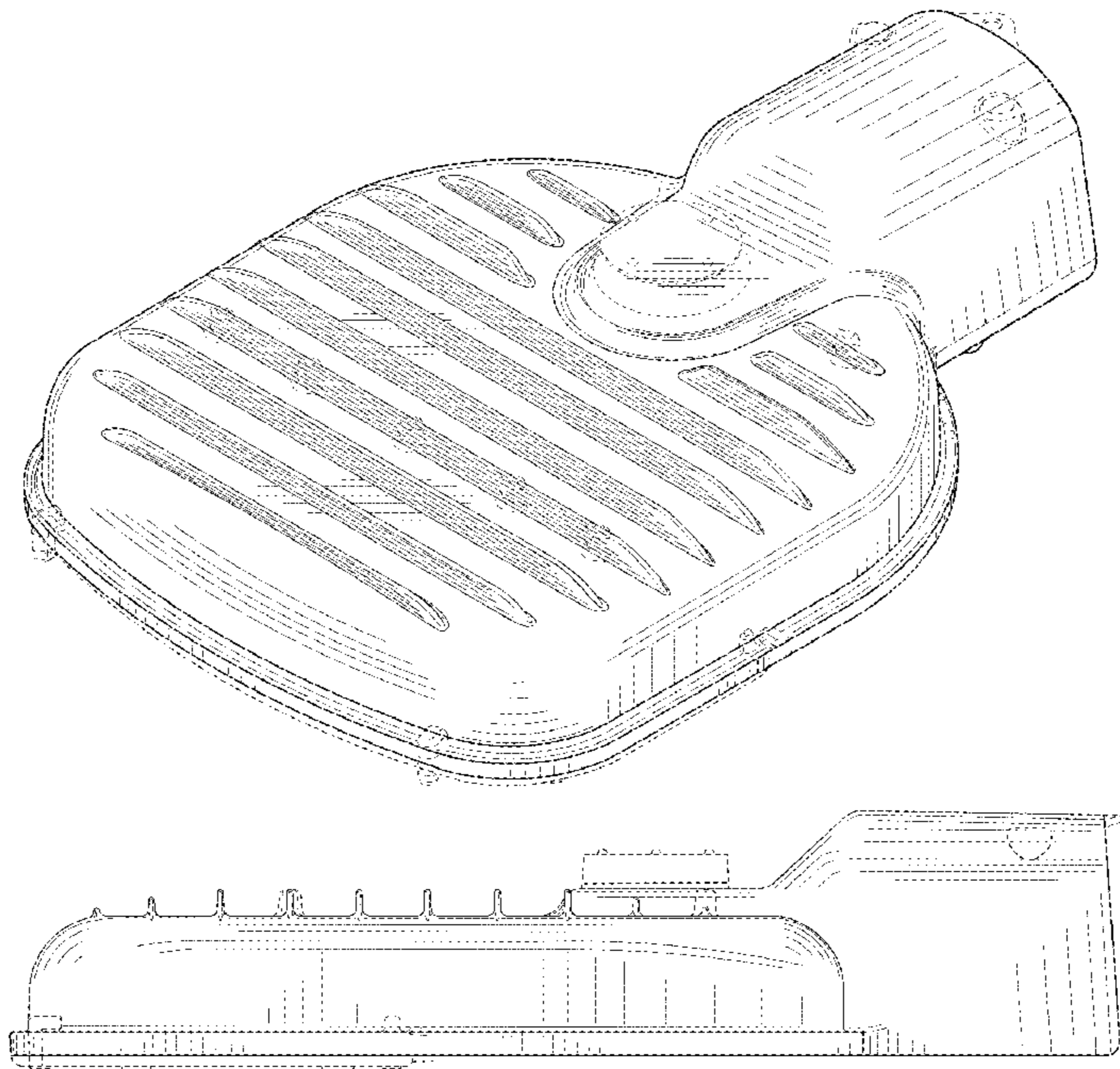
The broken lines in the Figures show portions of the roadway
lamp fixture which form no part of the claimed design. The
shade lines in the Figures show contour and not surface orna-
mentation.

(56) **References Cited**

U.S. PATENT DOCUMENTS

D189,057 S	*	10/1960	Schreckengost	D26/71
D573,741 S	*	7/2008	Lou	D26/71
D609,384 S	*	2/2010	Gray et al.	D26/71
D622,433 S	*	8/2010	Waters	D26/71
D624,685 S	*	9/2010	Ham et al.	D26/71
D627,093 S	*	11/2010	Shiau et al.	D26/71
D630,790 S	*	1/2011	Josefowicz et al.	D26/71
D634,465 S	*	3/2011	Siefker et al.	D26/71
D648,474 S	*	11/2011	Wong et al.	D26/71
D660,496 S	*	5/2012	Akdag et al.	D26/71

1 Claim, 6 Drawing Sheets



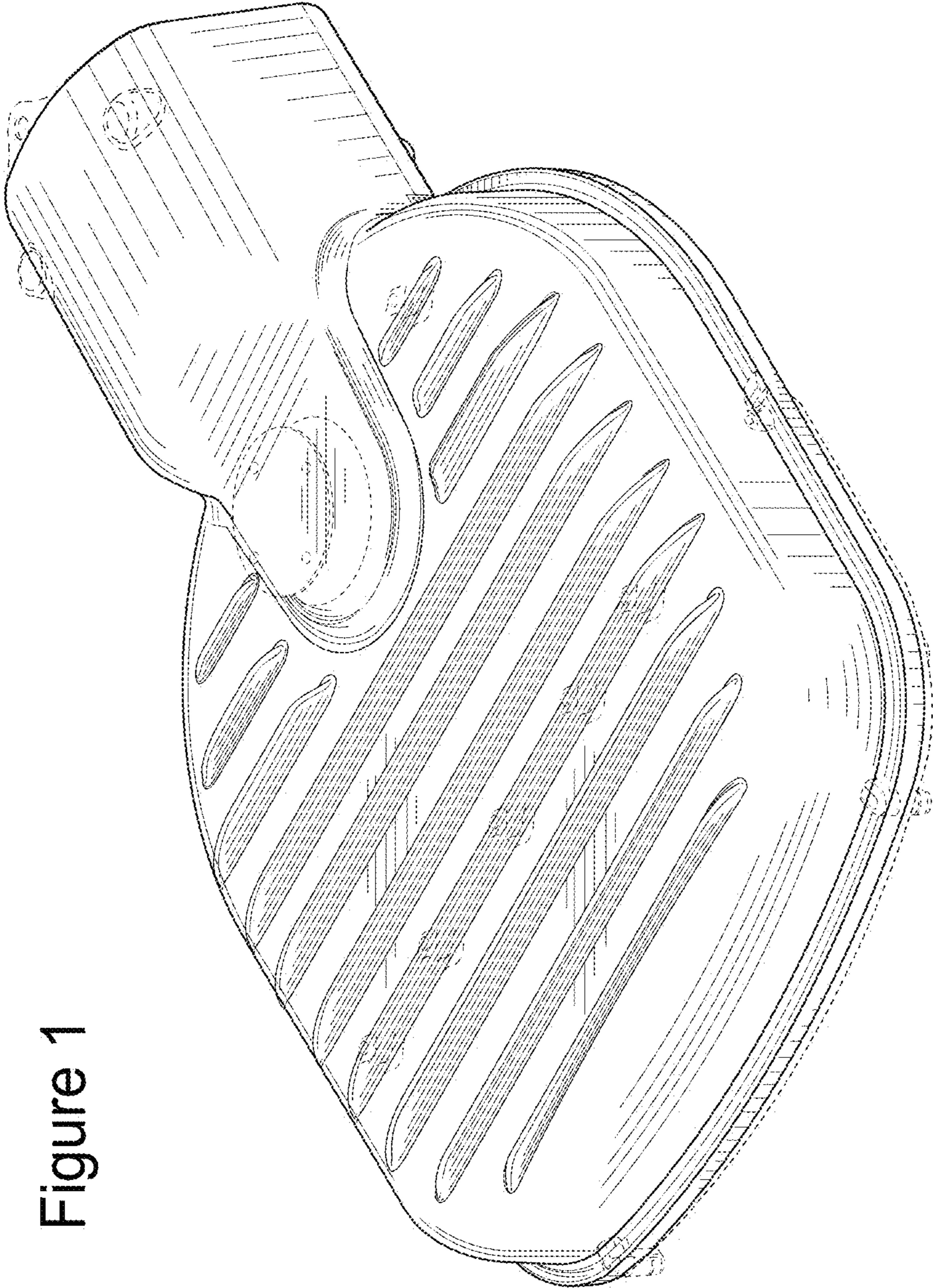


Figure 1

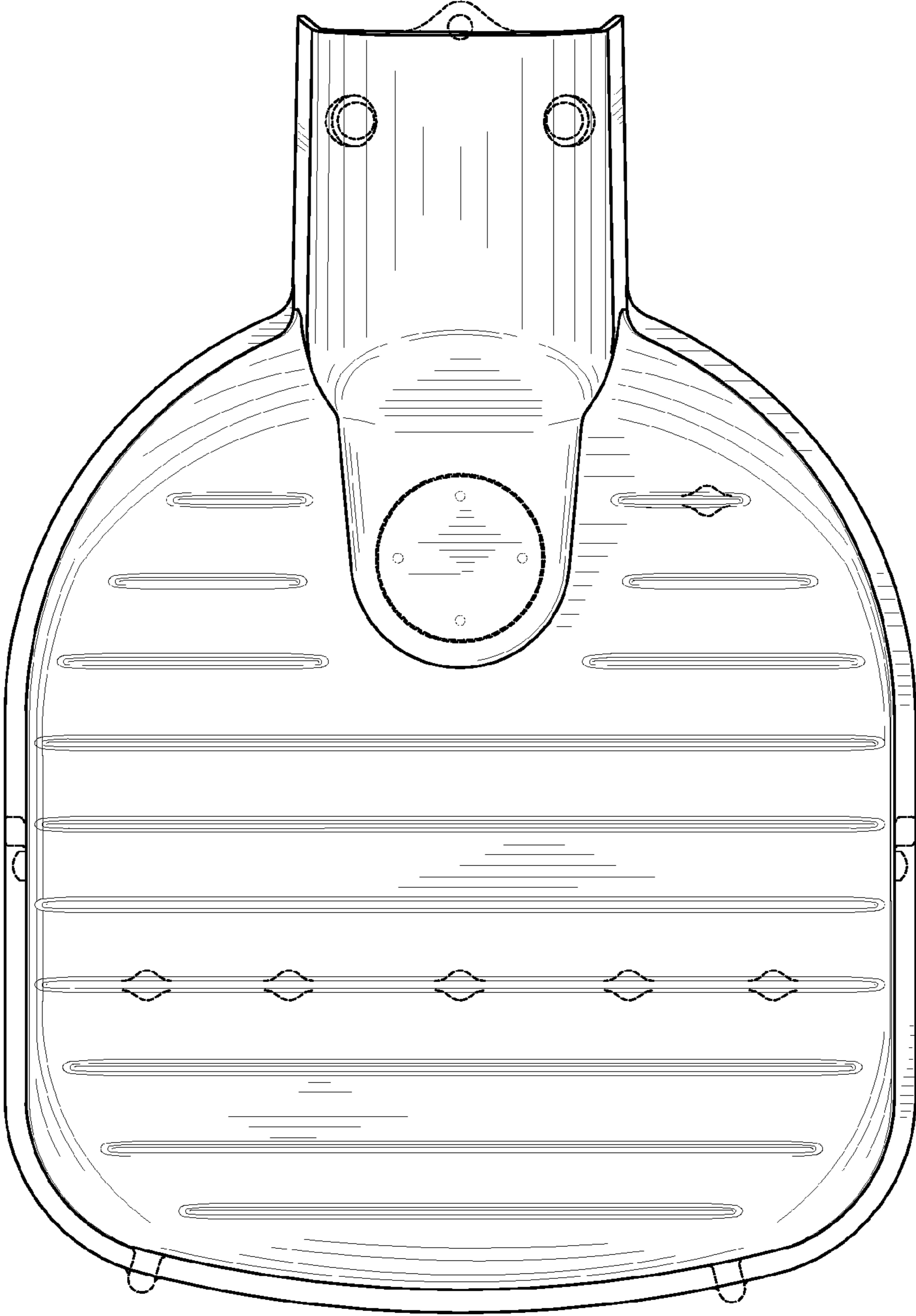


Figure 2

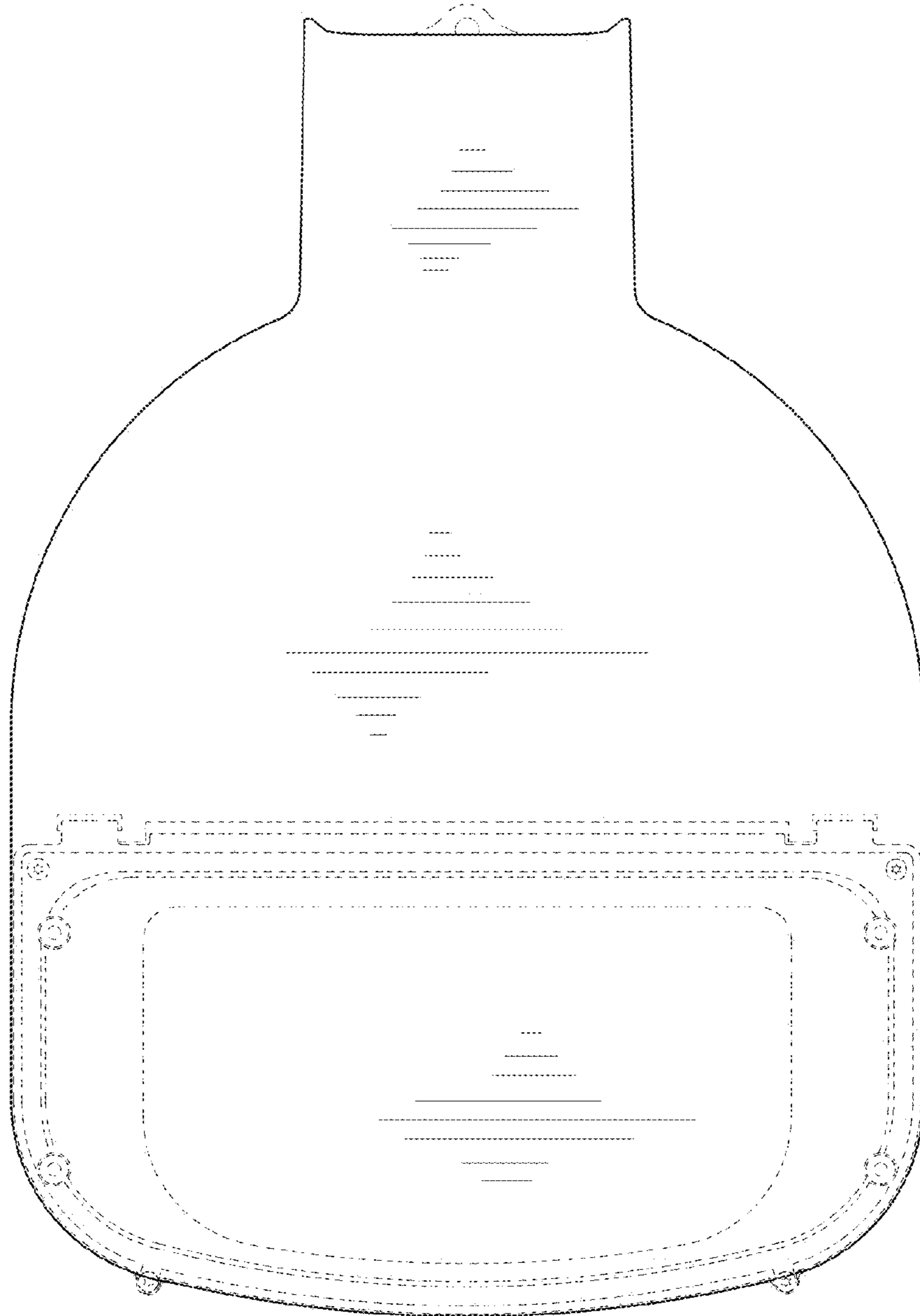


Figure 3

Figure 4

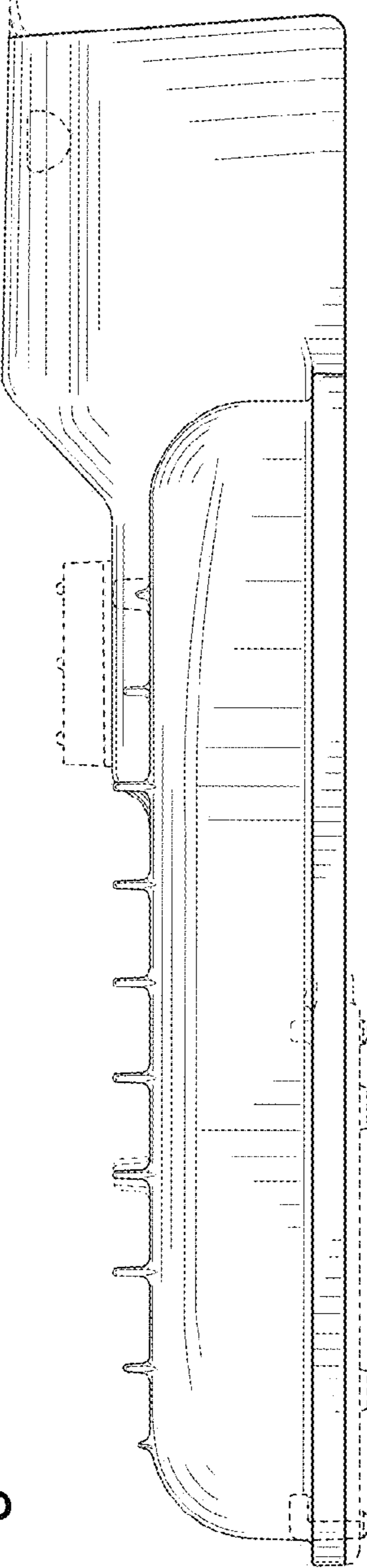
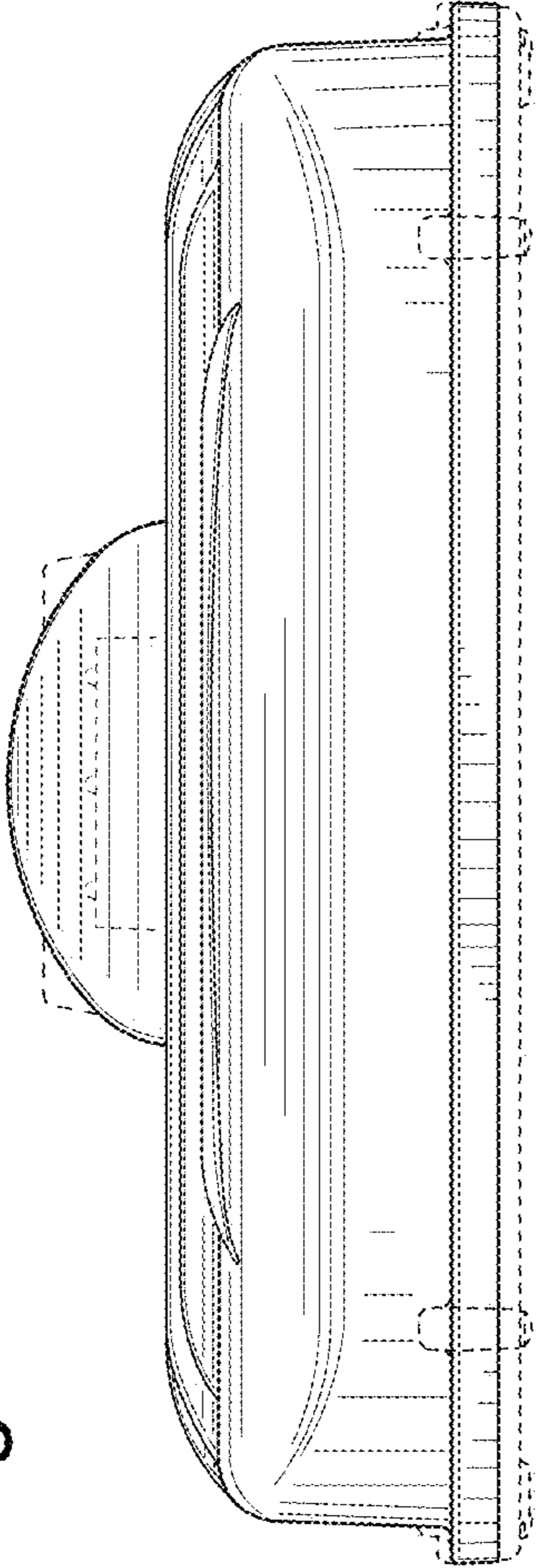


Figure 5



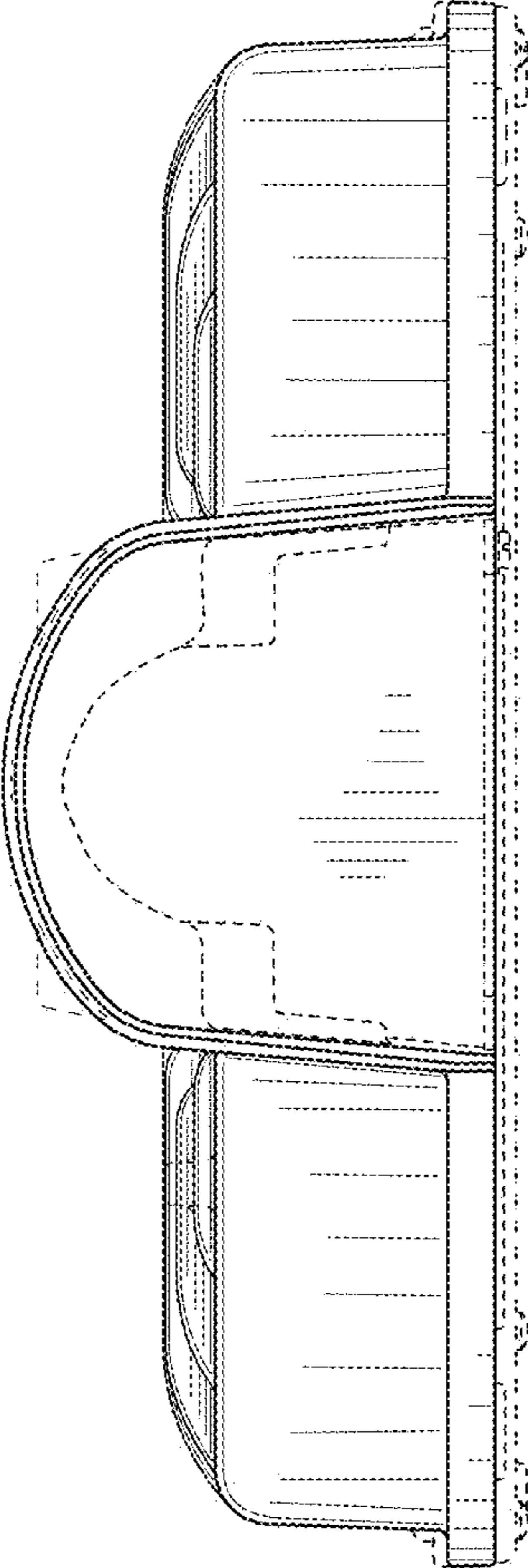


Figure 6