



US00D695435S

(12) **United States Design Patent**
Pedersen

(10) **Patent No.:** **US D695,435 S**

(45) **Date of Patent:** **** Dec. 10, 2013**

(54) **STAGE LIGHTING**

362/382, 404, 418, 425, 427, 432, 433, 457,
362/804

(75) Inventor: **Jan Pedersen**, Aabyhoj (DK)

See application file for complete search history.

(73) Assignee: **SGM Holding APS**, Aabyhoj (DK)

(56) **References Cited**

(**) Term: **14 Years**

U.S. PATENT DOCUMENTS

(21) Appl. No.: **29/414,927**

D573,286 S *	7/2008	Zettl	D26/63
D597,693 S *	8/2009	Kauffman et al.	D26/63
D606,691 S *	12/2009	Lindholm	D26/63
D625,870 S *	10/2010	Feigenbaum	D26/63
D641,905 S *	7/2011	Janssen	D26/63
D645,594 S *	9/2011	Grawe	D26/63
D650,505 S *	12/2011	Oka	D26/63
D666,346 S *	8/2012	Gebhard et al.	D26/63
D674,949 S *	1/2013	Georgitsis et al.	D26/63

(22) Filed: **Mar. 6, 2012**

(30) **Foreign Application Priority Data**

Sep. 7, 2011	(EM)	001914094-0001
Sep. 7, 2011	(EM)	001914094-0003
Sep. 7, 2011	(EM)	001914094-0005
Sep. 7, 2011	(EM)	001914094-0007
Sep. 7, 2011	(EM)	001914094-0009
Sep. 7, 2011	(EM)	001914094-0011
Sep. 7, 2011	(EM)	001914094-0013
Sep. 7, 2011	(EM)	001914094-0015
Sep. 7, 2011	(EM)	001914094-0017
Sep. 7, 2011	(EM)	001914094-0019
Sep. 7, 2011	(EM)	001914094-0021
Sep. 7, 2011	(EM)	001914094-0027
Sep. 7, 2011	(EM)	001914094-0029

* cited by examiner

Primary Examiner — Brian N Vinson

(74) *Attorney, Agent, or Firm* — Pearne & Gordon LLP

(57) **CLAIM**

The ornamental design for stage lighting, as shown and described.

DESCRIPTION

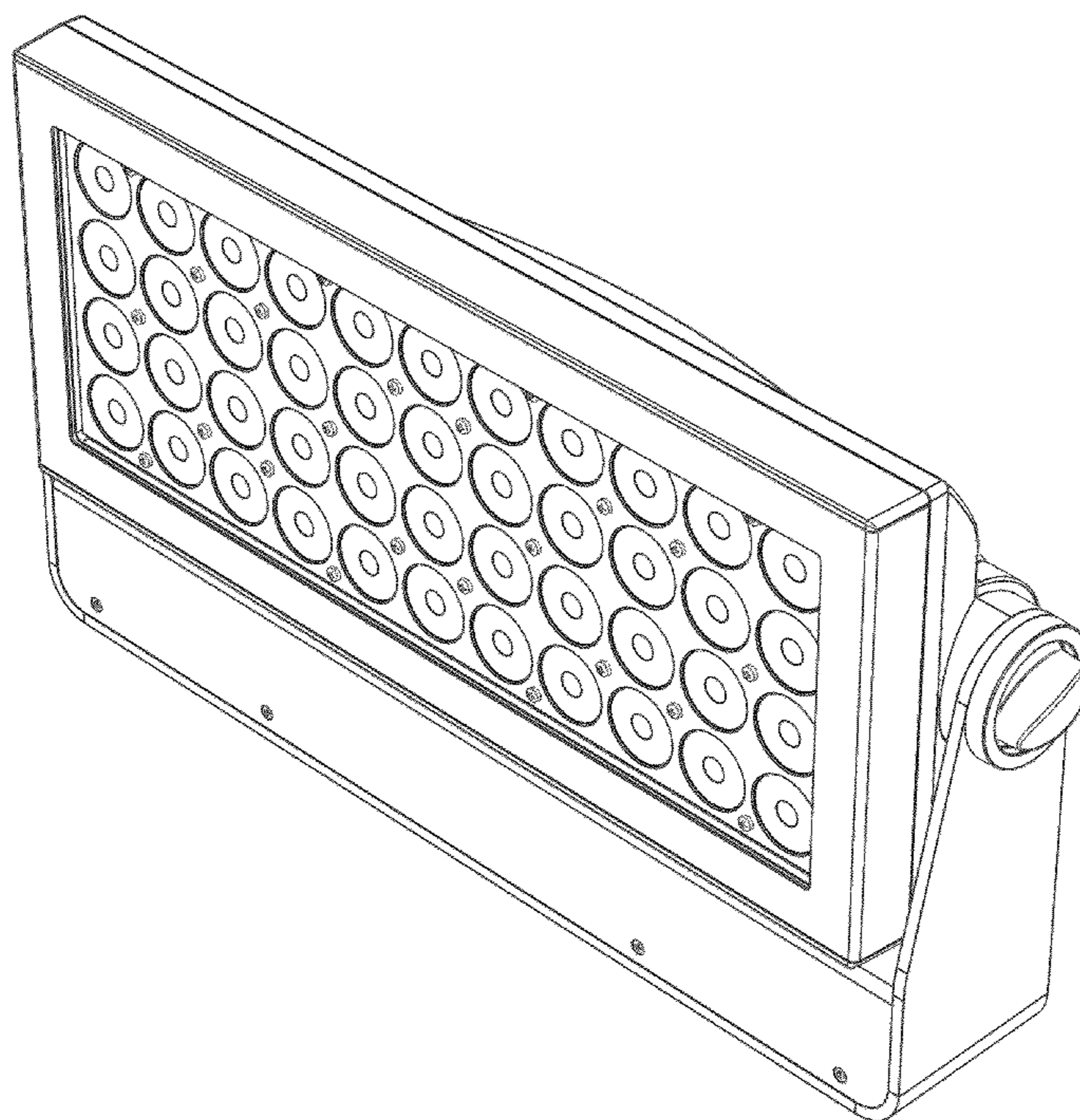
FIG. 1 is a left-front perspective view of stage lighting, showing my new design;
 FIG. 2 is a back elevational view thereof;
 FIG. 3 is a left side elevational view thereof;
 FIG. 4 is a right side elevational view thereof;
 FIG. 5 is a top plan view thereof;
 FIG. 6 is a bottom plan view thereof; and,
 FIG. 7 is a front elevational view thereof.

1 Claim, 5 Drawing Sheets

(51) **LOC (9) Cl.** **26-03**

(52) **U.S. Cl.**
USPC **D26/63**

(58) **Field of Classification Search**
USPC D26/1, 24, 60-66, 72, 85, 92, 113,
D26/118-119; 362/89, 217.01, 220, 217.02,
362/217.1, 217.14, 217.16, 257, 268-269,
362/275, 277, 282, 285, 310, 362, 368, 370,



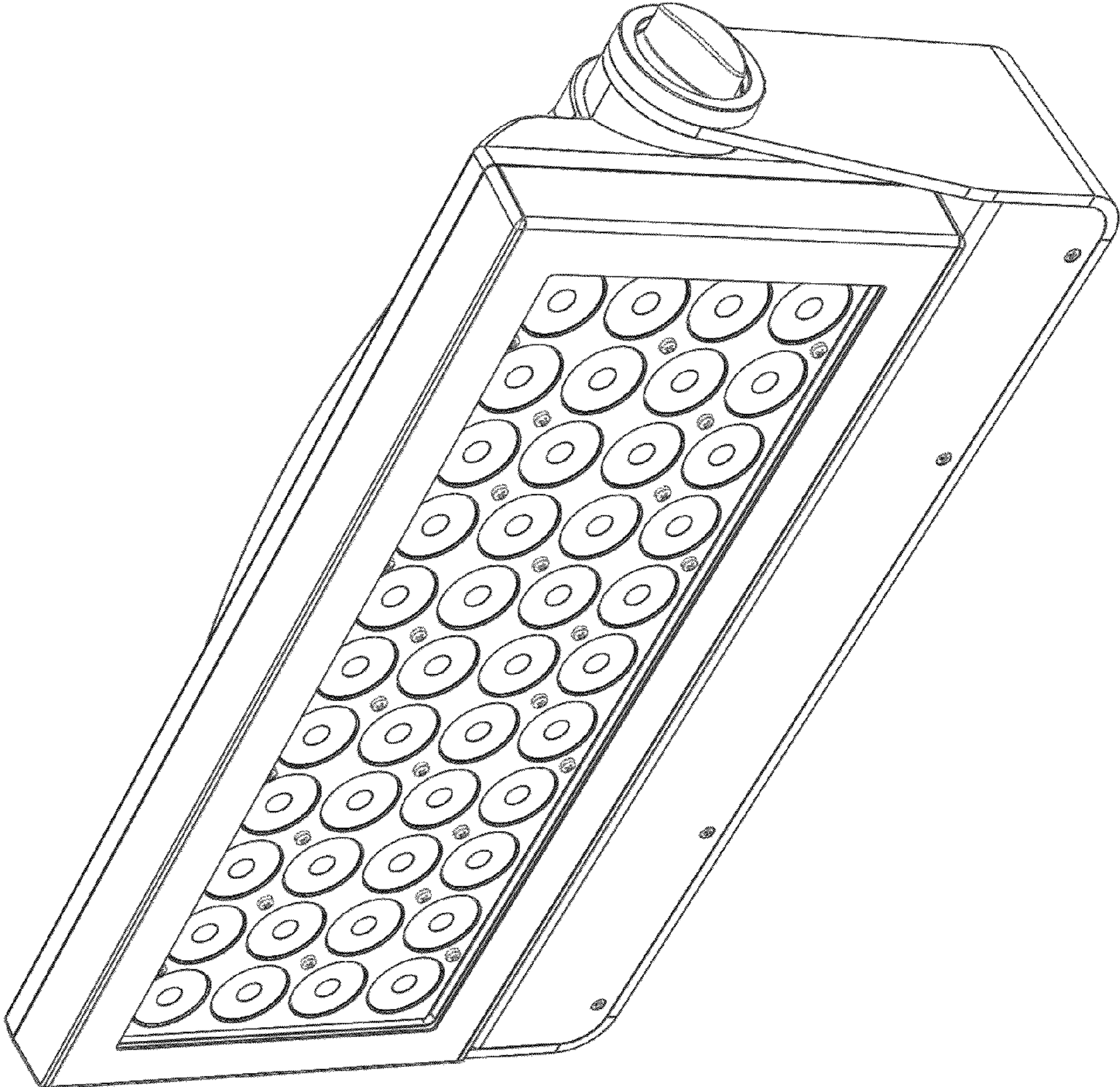


FIG. 1

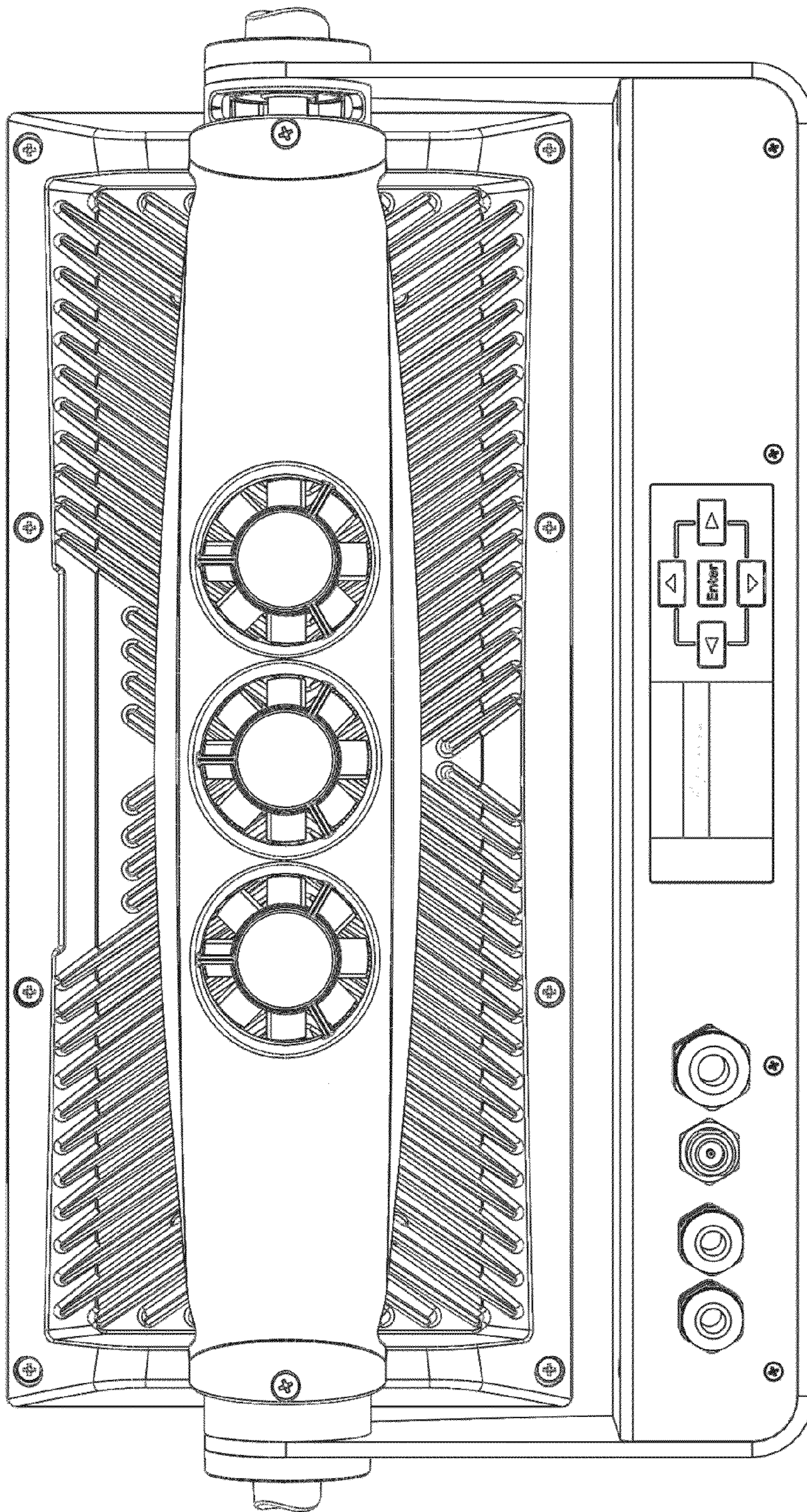


FIG. 2

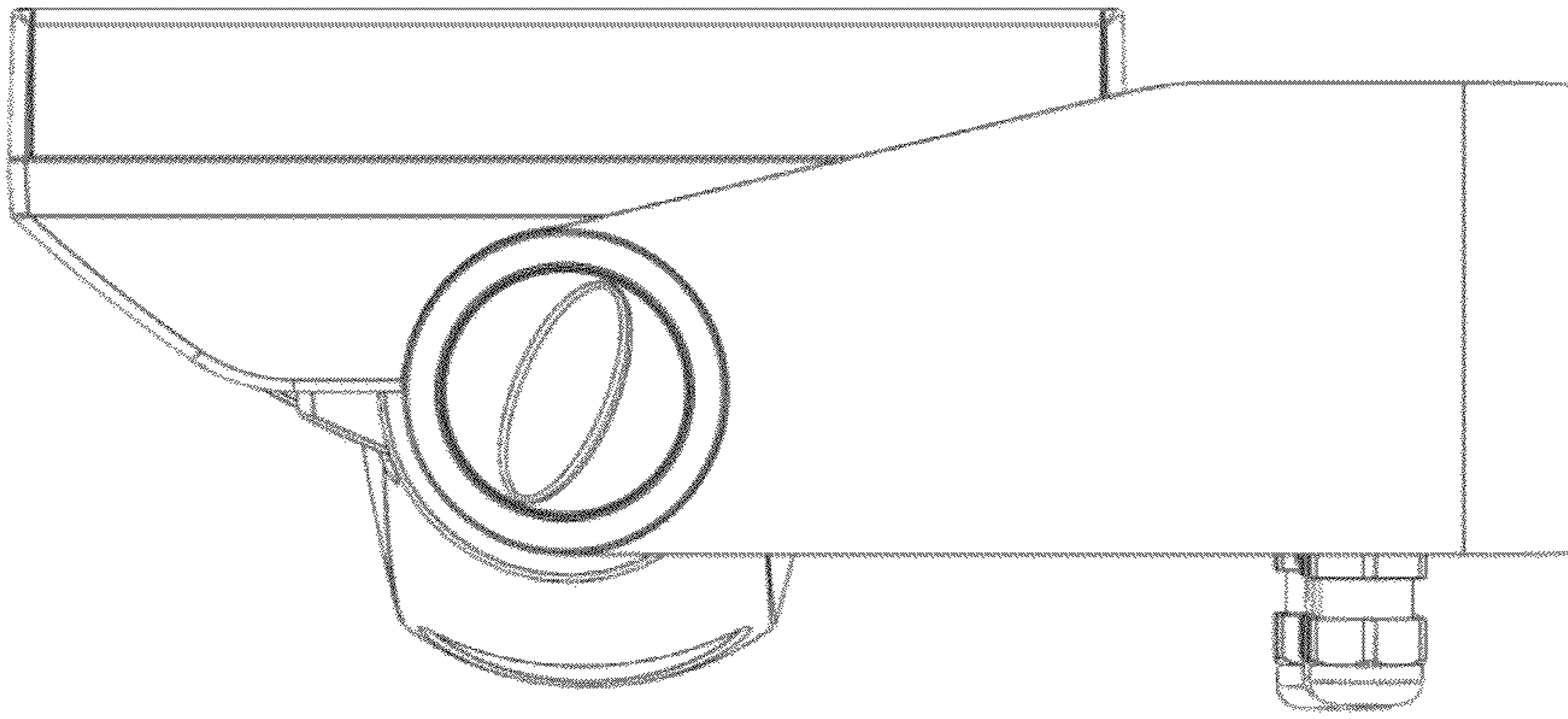


FIG. 4

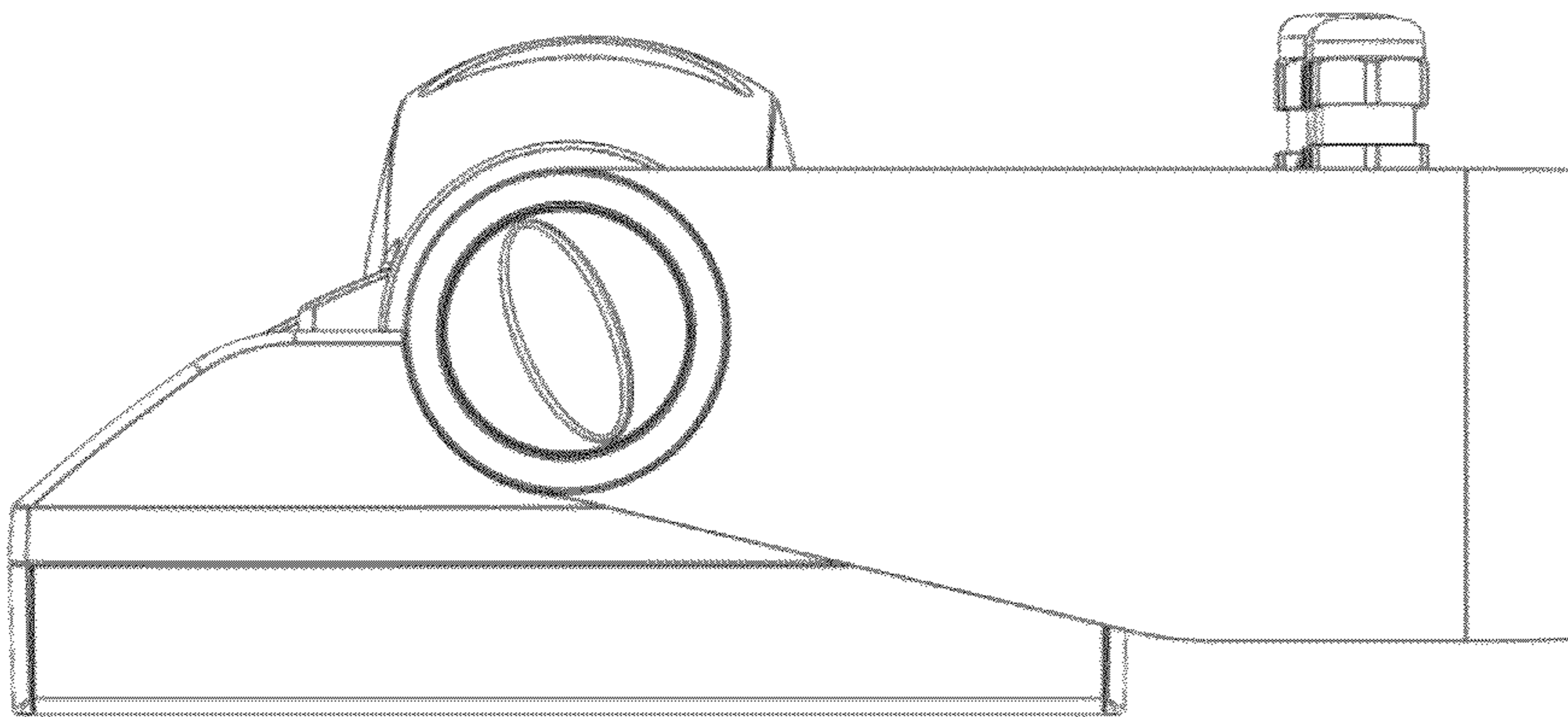


FIG. 3

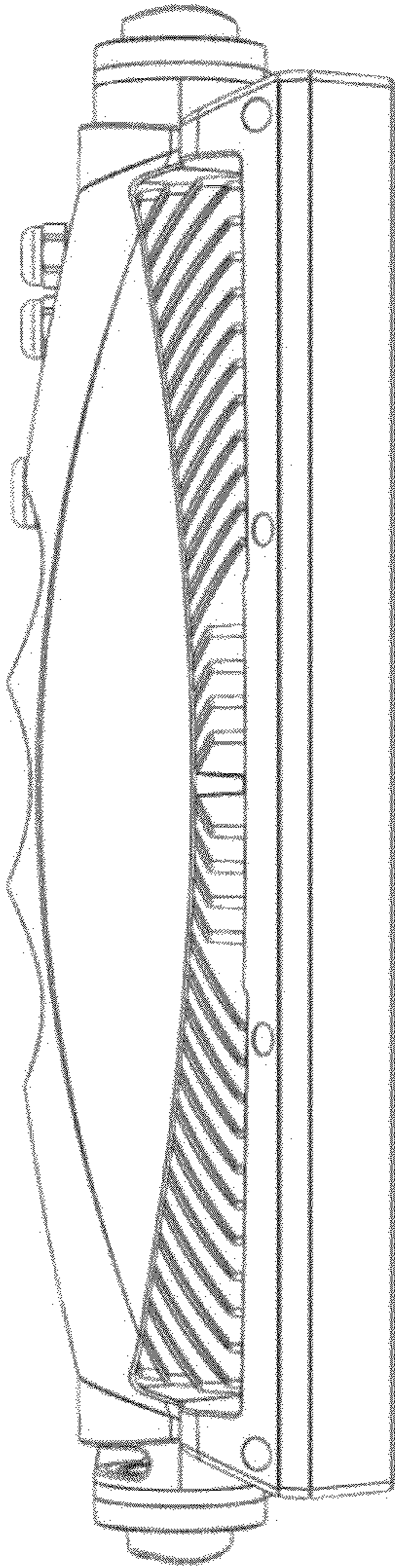


FIG. 5

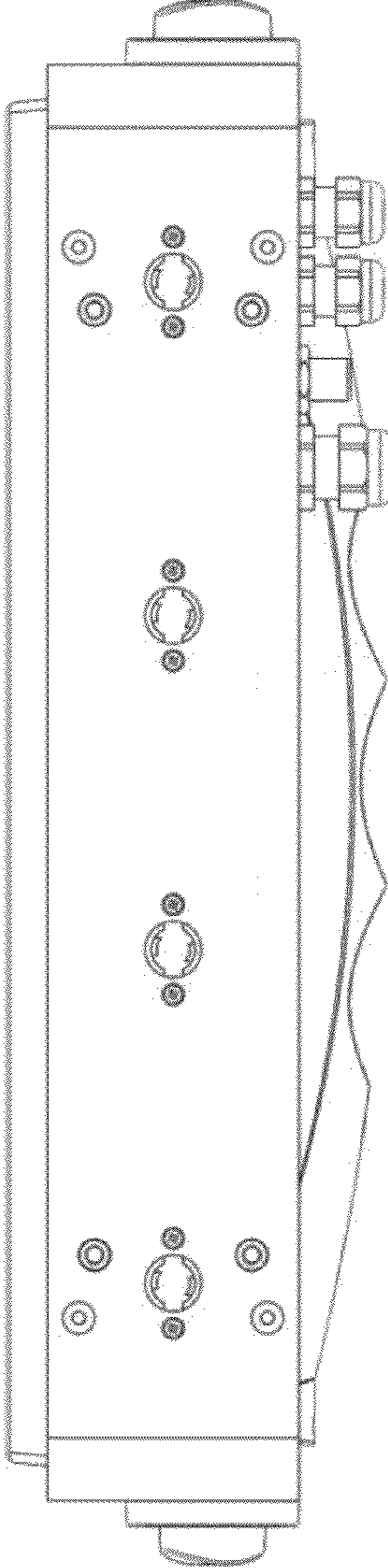


FIG. 6

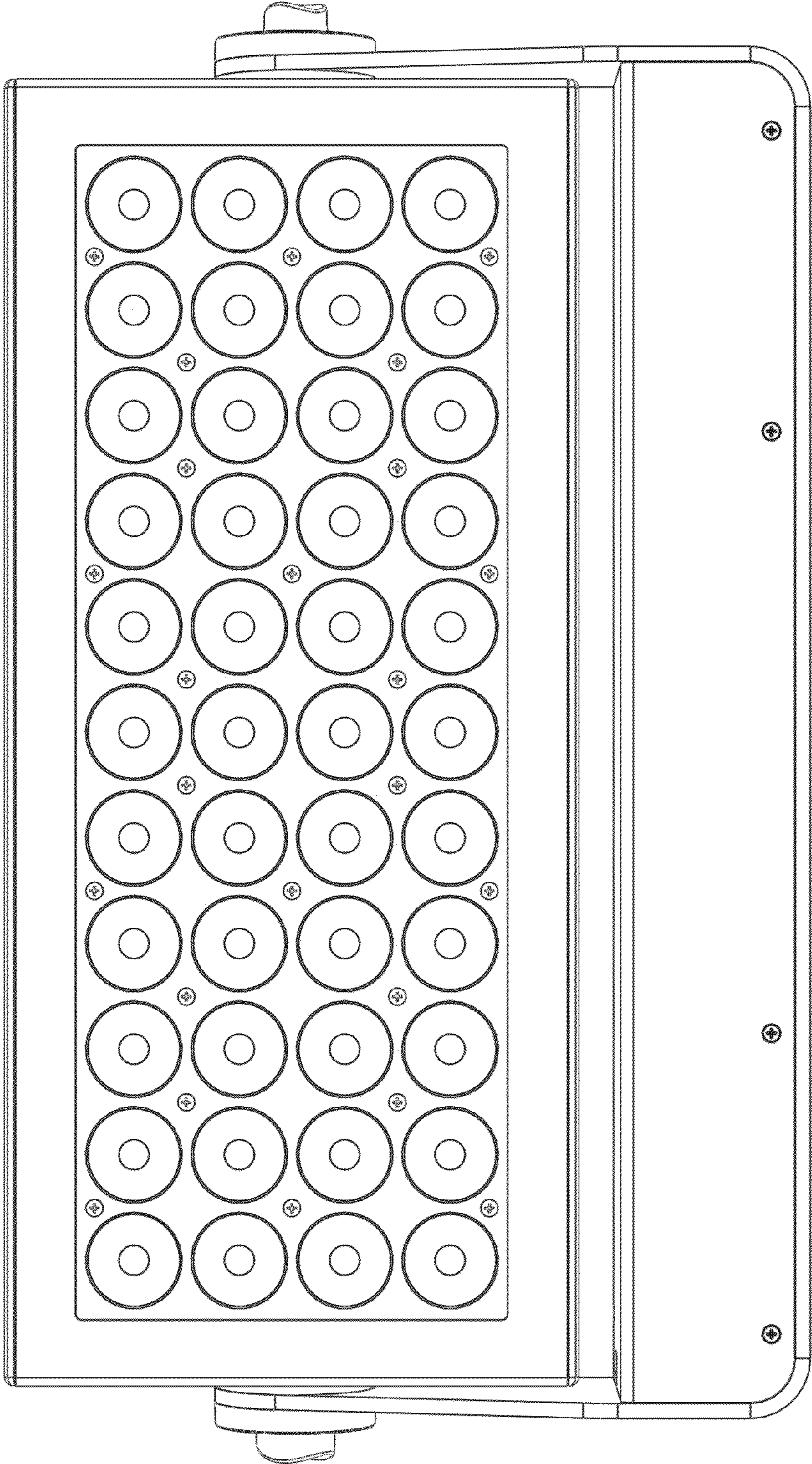


FIG. 7