



US00D695433S

(12) **United States Design Patent**
Mascadri et al.

(10) **Patent No.:** **US D695,433 S**
(45) **Date of Patent:** **** Dec. 10, 2013**

(54) **HEAD LAMP**

(71) Applicant: **Honda Motor Co., Ltd**, Tokyo (JP)
(72) Inventors: **Anthony P. Mascadri**, Mechanicsburg, OH (US); **Andrew J. Wilson**, Marysville, OH (US); **Asao Itaya**, Irvine, CA (US); **Erik Dunshee**, Torrance, CA (US); **Jessica Vera**, Long Beach, CA (US)

(73) Assignee: **Honda Motor Co., Ltd**, Tokyo (JP)

(**) Term: **14 Years**

(21) Appl. No.: **29/445,277**

(22) Filed: **Feb. 8, 2013**

(51) **LOC (9) Cl.** **26-06**

(52) **U.S. Cl.**
USPC **D26/28**

(58) **Field of Classification Search**
USPC D26/28-36; 362/459-468, 475-478, 362/485-487

See application file for complete search history.

(56) **References Cited**

U.S. PATENT DOCUMENTS

D556,349	S	*	11/2007	Golden et al.	D26/28
D560,291	S	*	1/2008	Koyama	D26/28
D560,832	S	*	1/2008	Hsu	D26/28
D561,358	S	*	2/2008	Tachibana	D26/28
D563,576	S	*	3/2008	Hanaoka	D26/28
D602,619	S	*	10/2009	Krugger et al.	D26/28

* cited by examiner

Primary Examiner — Marcus Jackson

(74) *Attorney, Agent, or Firm* — Westerman, Hattori, Daniels & Adrian, LLP

(57) **CLAIM**

The ornamental design for a head lamp, as shown and described.

DESCRIPTION

FIG. 1 is a left front perspective view of a head lamp showing our new design;

FIG. 2 is a front elevational view thereof;

FIG. 3 is a rear elevational view thereof;

FIG. 4 is a right side elevational view thereof;

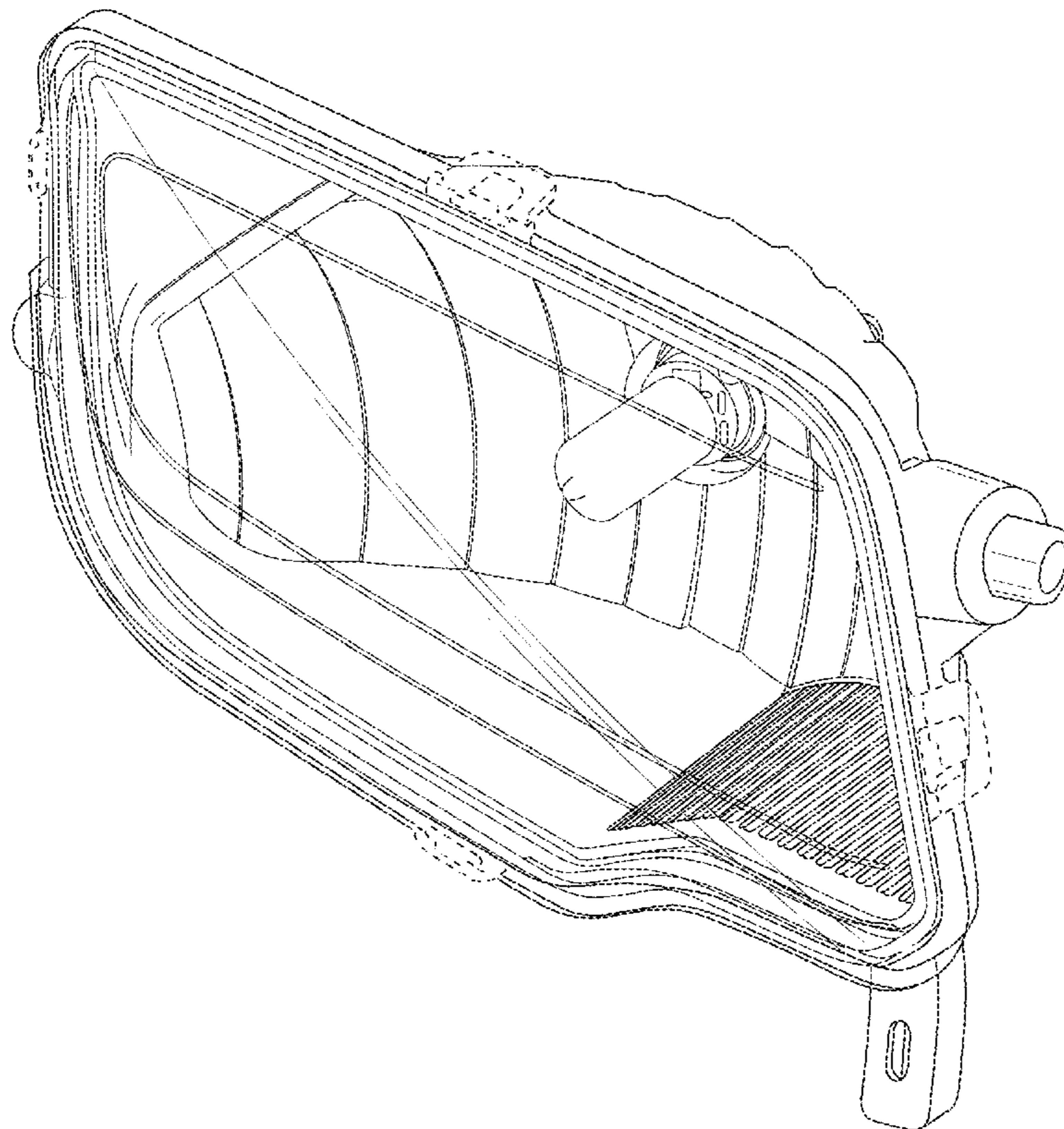
FIG. 5 is a left side elevational view thereof;

FIG. 6 is a top plan view thereof; and,

FIG. 7 is a bottom plan view thereof.

The broken lines illustrate environmental structure and form no part of the claimed design.

1 Claim, 7 Drawing Sheets



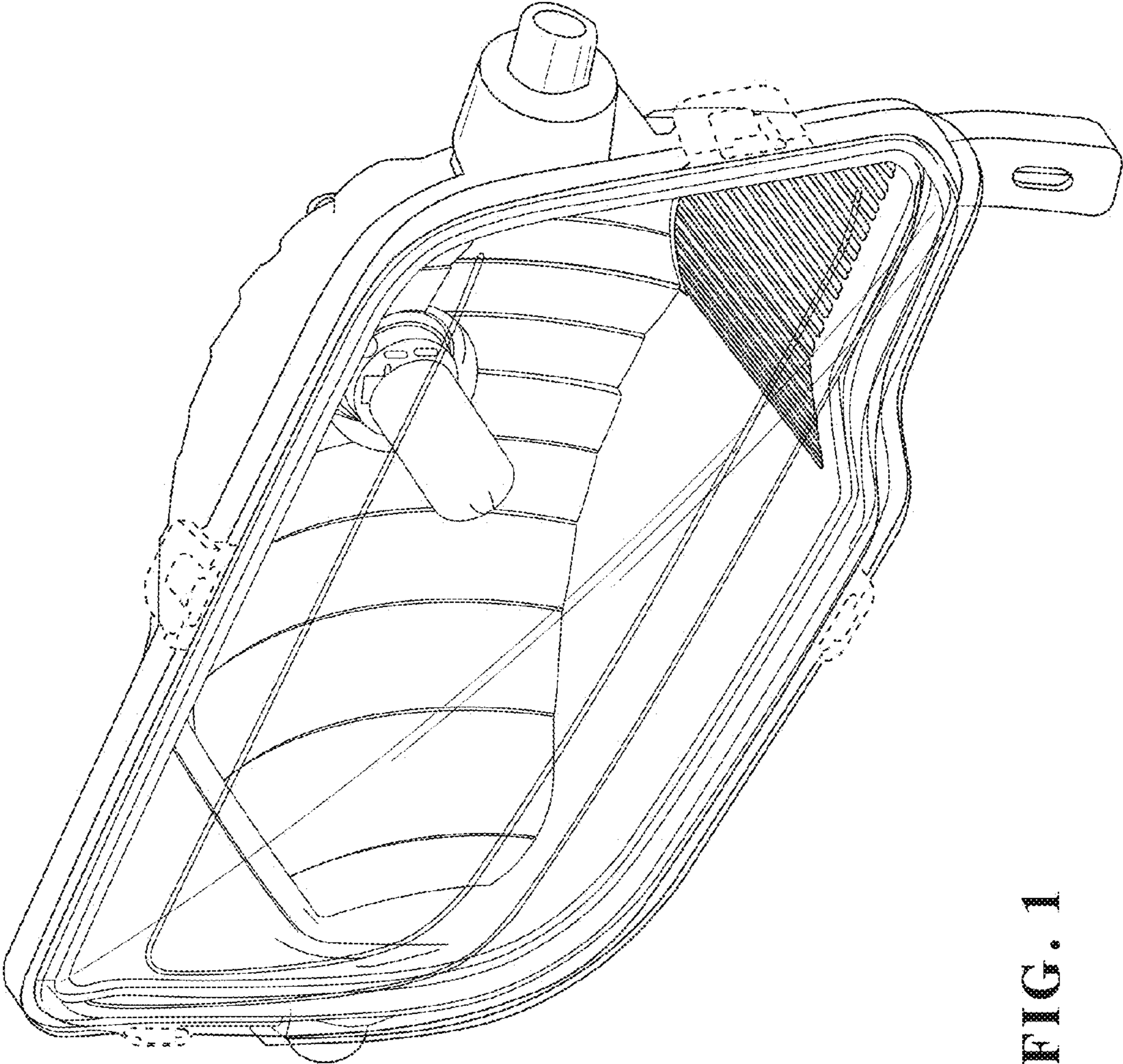


FIG. 1

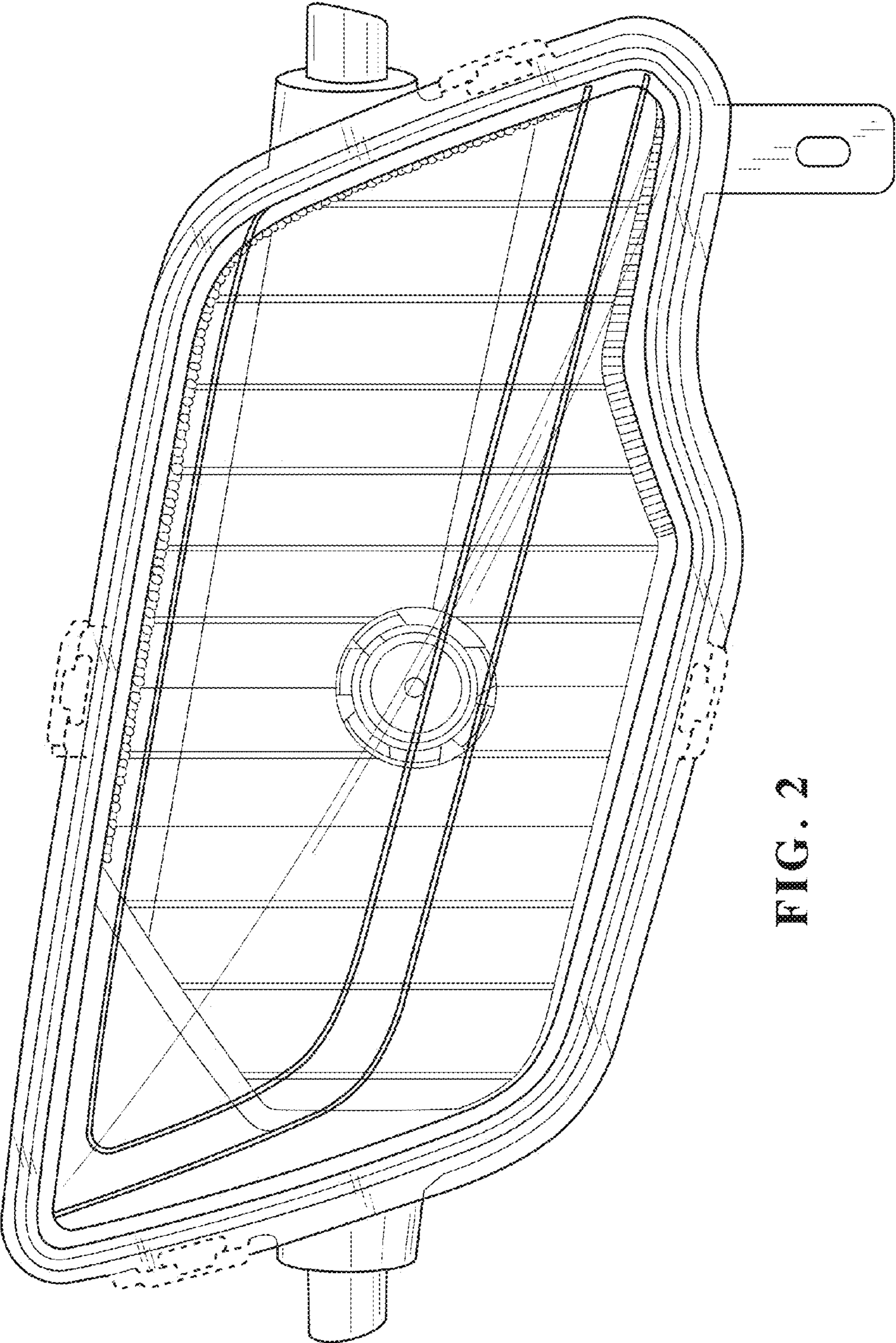


FIG. 2

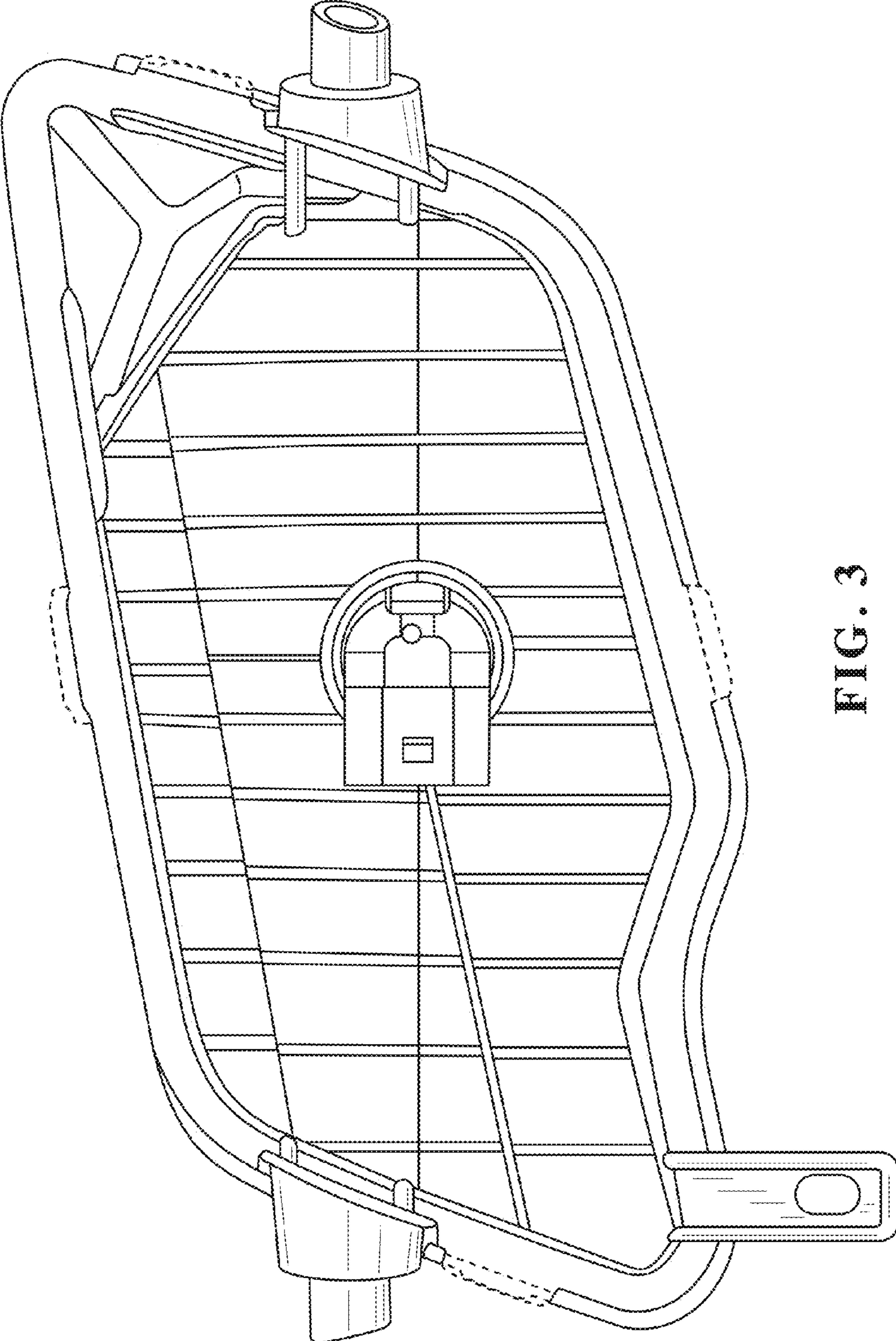


FIG. 3

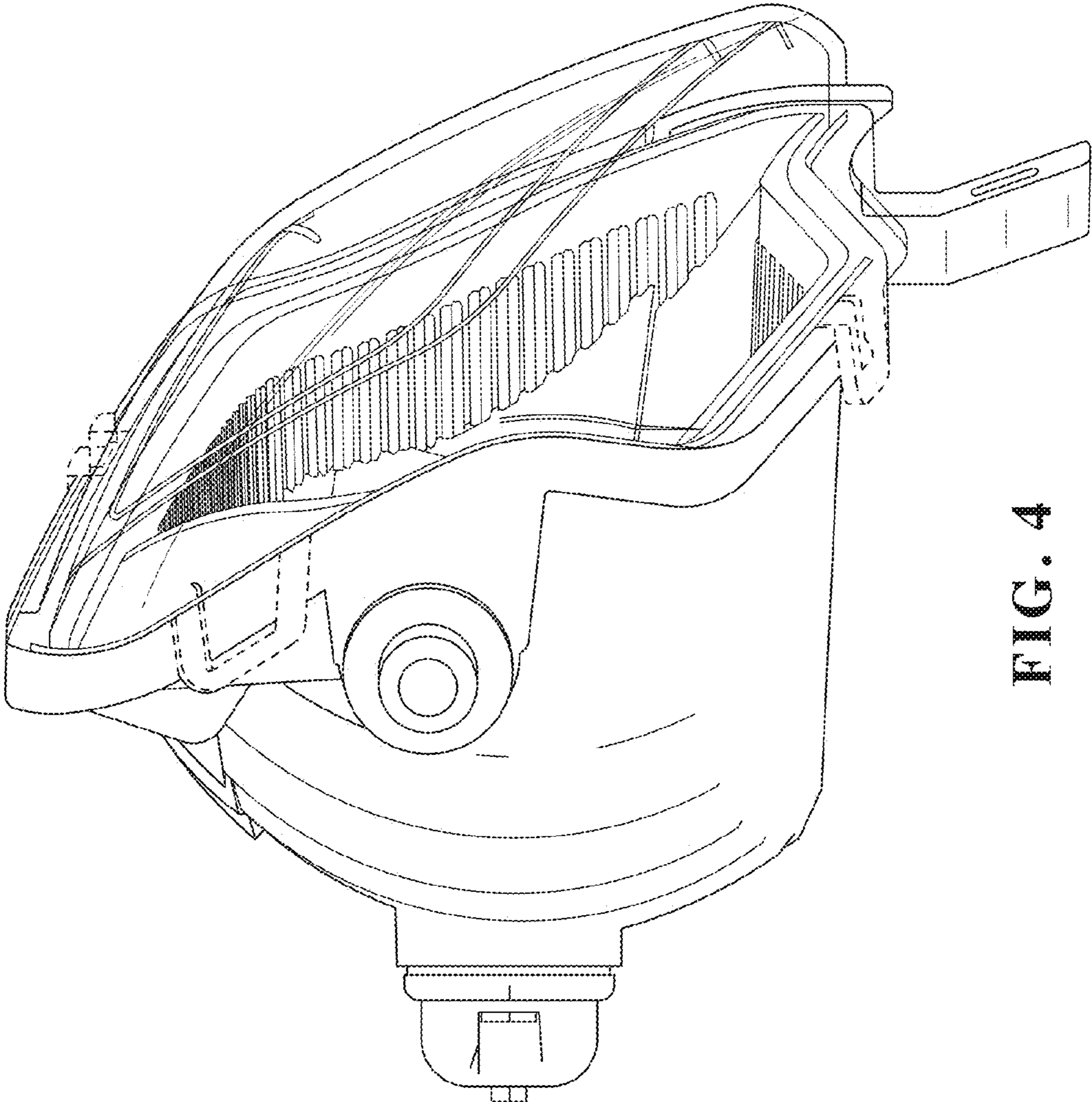


FIG. 4

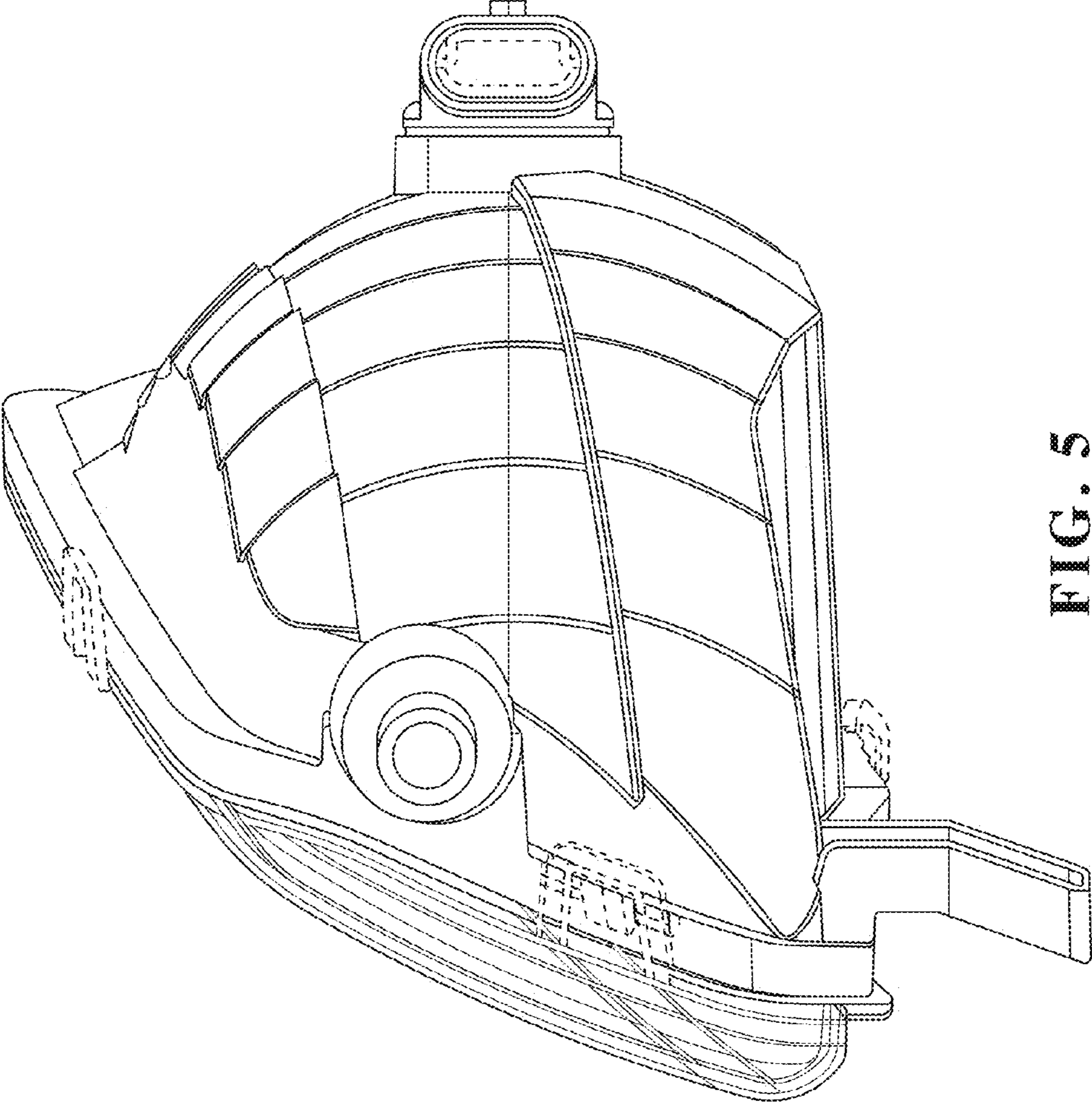


FIG. 5

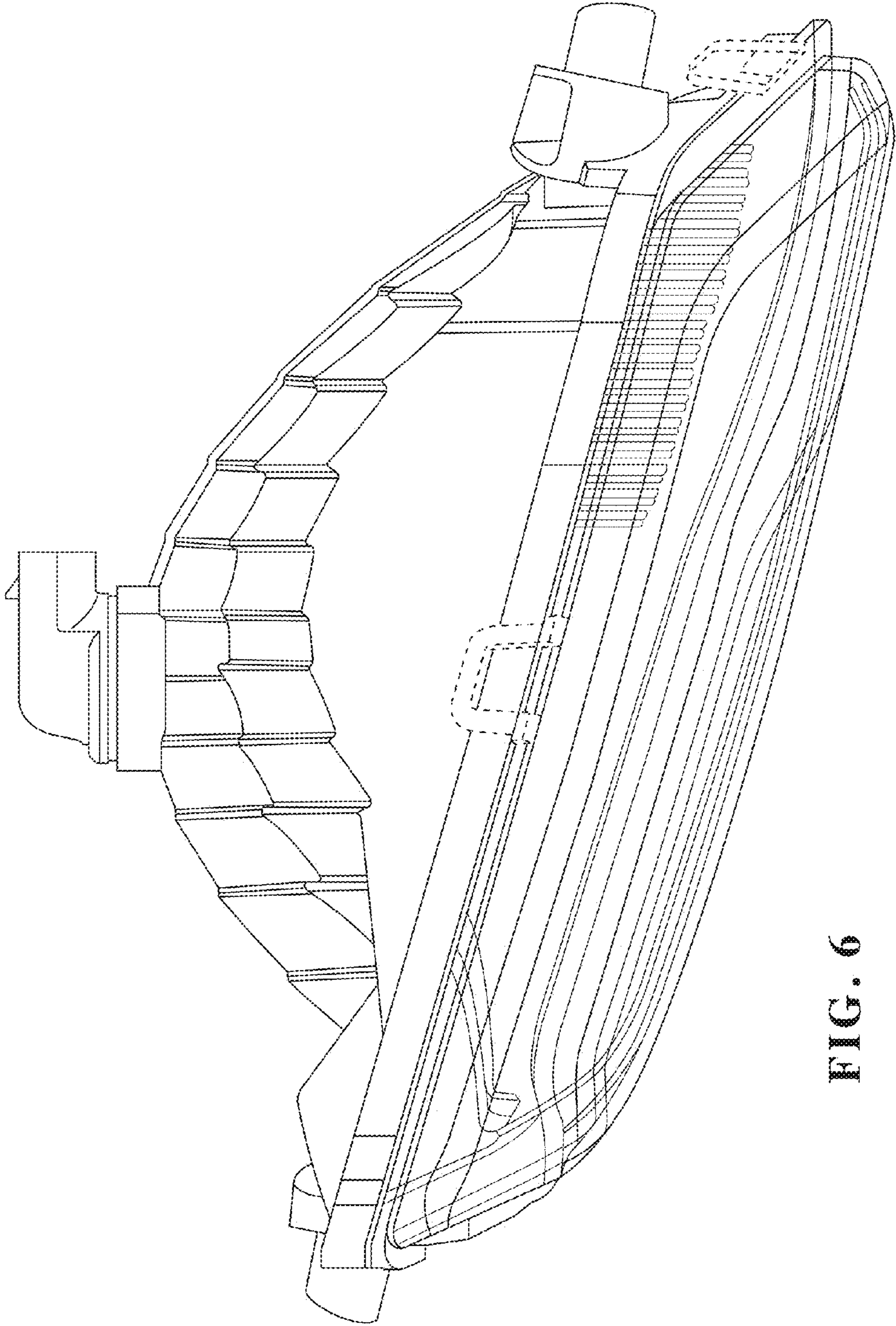


FIG. 6

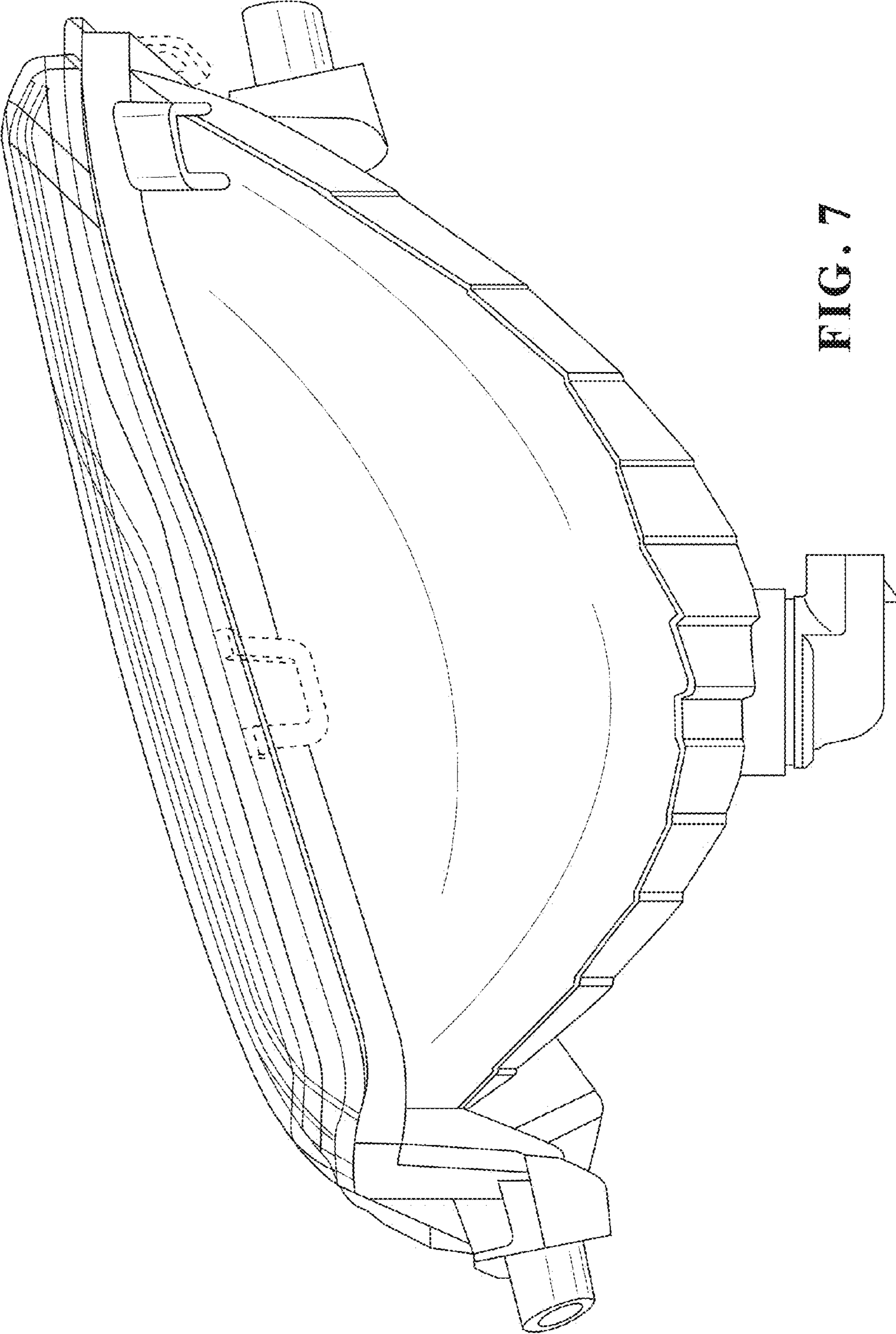


FIG. 7