



US00D695431S

(12) **United States Design Patent**
Lay

(10) **Patent No.:** **US D695,431 S**

(45) **Date of Patent:** **** Dec. 10, 2013**

(54) **LAMP**
(71) Applicant: **Cree, Inc.**, Durham, NC (US)
(72) Inventor: **James Michael Lay**, Apex, NC (US)
(73) Assignee: **Cree, Inc.**, Durham, NC (US)
(**) Term: **14 Years**

D630,347 S * 1/2011 Pei et al. D26/2
D630,775 S * 1/2011 Pan D26/2
D631,577 S * 1/2011 Yoshinobu et al. D26/2
D646,406 S * 10/2011 Tsai et al. D26/2
D679,843 S * 4/2013 Hsu et al. D26/2

* cited by examiner

Primary Examiner — Marcus Jackson

(74) *Attorney, Agent, or Firm* — McCracken & Frank LLC

(21) Appl. No.: **29/449,880**
(22) Filed: **Mar. 15, 2013**
(51) **LOC (9) Cl.** **26-04**
(52) **U.S. Cl.**
USPC **D26/2**
(58) **Field of Classification Search**
USPC D26/1-4; 313/313, 315, 316, 317, 318,
313/493; 315/52, 53, 56, 57, 58
See application file for complete search history.

(57) **CLAIM**

The ornamental design for a lamp, as shown and described herein.

DESCRIPTION

FIG. 1 is an isometric view of a top, front, and left side of an ornamental design for a lamp;
FIG. 2 is a front elevational view of the lamp of FIG. 1, the right side, left side, and rear elevational views of such lamp being identical thereto;
FIG. 3 is a top plan view of the lamp of FIG. 1; and,
FIG. 4 is a bottom plan view of the lamp of FIG. 1.
The subject matter shown in dashed lines is for illustrative purposes only and forms no part of the claimed invention.

(56) **References Cited**

U.S. PATENT DOCUMENTS

D610,722 S * 2/2010 Bi D26/2
D626,260 S * 10/2010 Wei D26/2
D628,319 S * 11/2010 Yoshinobu et al. D26/2
D629,129 S * 12/2010 Lin et al. D26/2

1 Claim, 4 Drawing Sheets

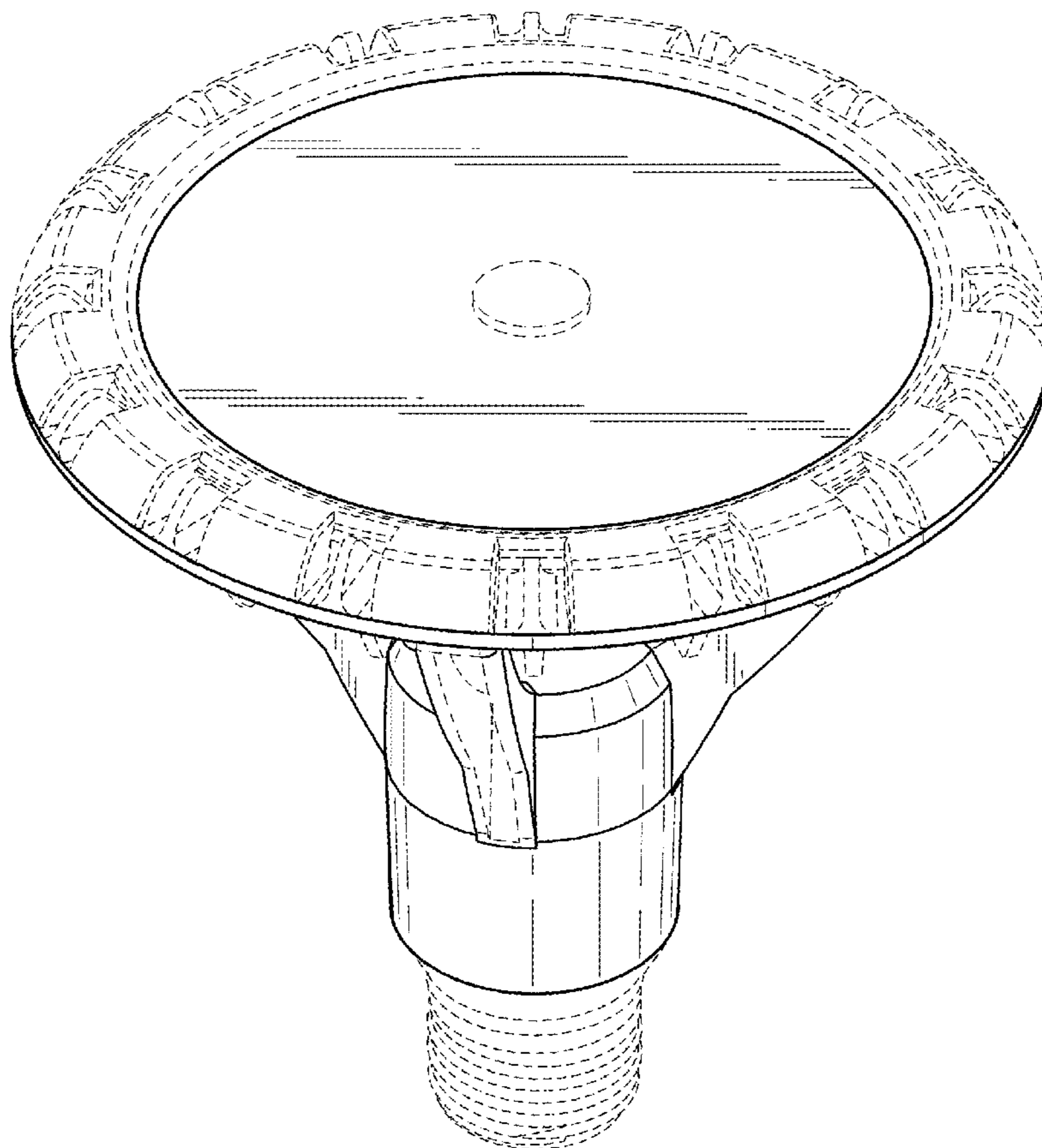


FIG. 1

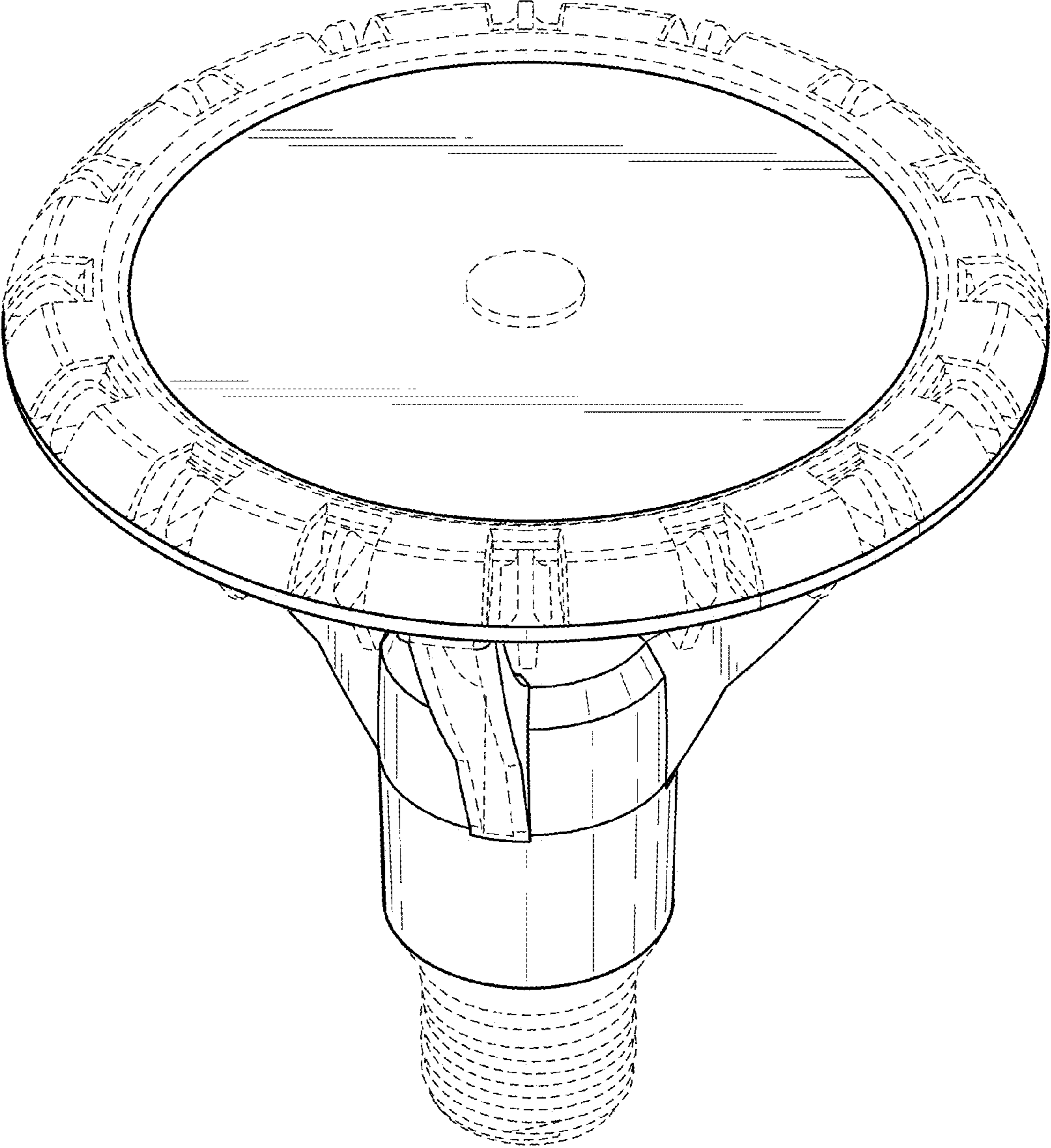


FIG. 2

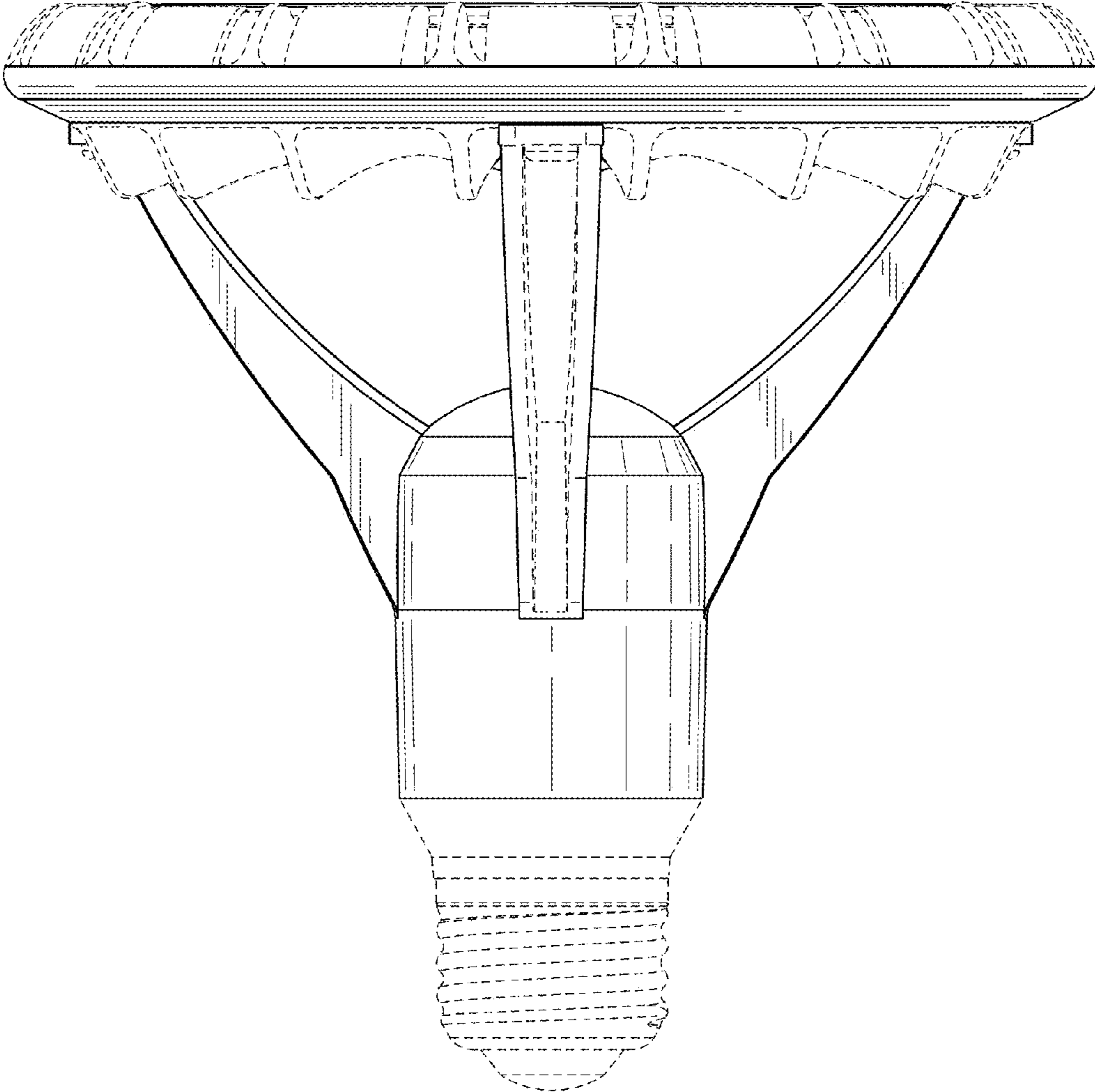


FIG. 3

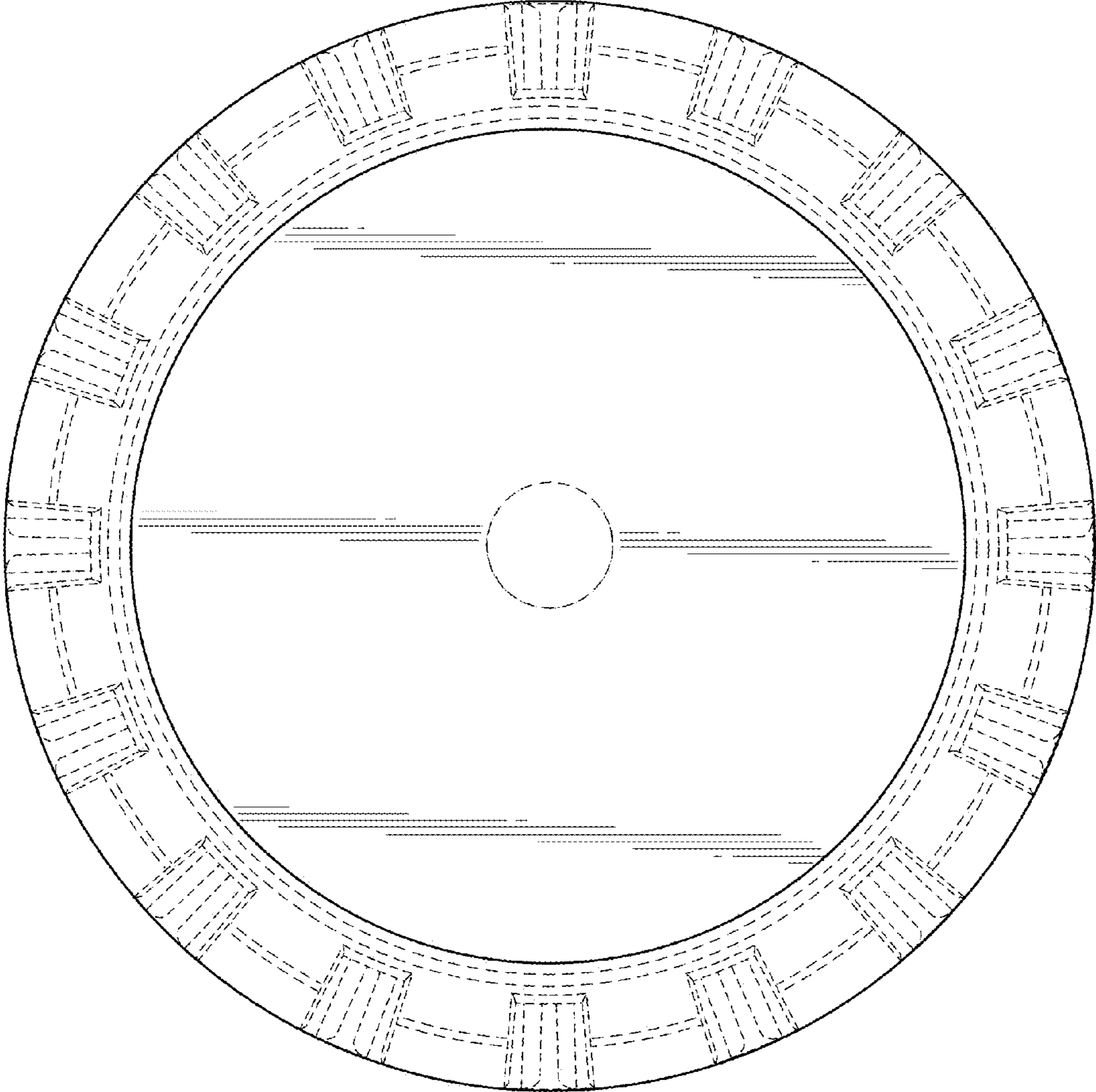


FIG. 4

