

US00D695430S

(12) **United States Design Patent**  
**Chen**

(10) **Patent No.:** **US D695,430 S**

(45) **Date of Patent:** **\*\* Dec. 10, 2013**

(54) **LED LAMP BULB**

(71) Applicant: **LivingStyle Enterprises Limited**, Dong Guan (CN)

(72) Inventor: **Ming-Yun Chen**, Dong Guan (CN)

(73) Assignee: **Livingstyle Enterprises Limited**, Dong Guan (CN)

(\*\*) Term: **14 Years**

(21) Appl. No.: **29/449,820**

(22) Filed: **Mar. 15, 2013**

(51) **LOC (9) Cl.** ..... **26-04**

(52) **U.S. Cl.**  
USPC ..... **D26/2**

(58) **Field of Classification Search**  
USPC ..... D26/1-4; 313/313, 315, 316, 317, 318,  
313/493; 315/52, 53, 56, 57, 58  
See application file for complete search history.

(56) **References Cited**

**U.S. PATENT DOCUMENTS**

D508,575 S \* 8/2005 Buschmann et al. .... D26/2  
D626,667 S \* 11/2010 Jonsson et al. .... D26/2

D627,087 S \* 11/2010 Jonsson et al. .... D26/2  
D645,993 S \* 9/2011 Wang ..... D26/2  
D651,327 S \* 12/2011 Hsiao et al. .... D26/2  
D676,983 S \* 2/2013 Holland et al. .... D26/2

\* cited by examiner

*Primary Examiner* — Marcus Jackson

(74) *Attorney, Agent, or Firm* — WPAT, PC; Justin King

(57) **CLAIM**

The ornamental design for a LED lamp bulb, as shown and described in the drawings.

**DESCRIPTION**

FIG. 1 is a perspective view of the LED lamp bulb showing my new design;

FIG. 2 is a front view thereof;

FIG. 3 is a back view thereof;

FIG. 4 is a right view thereof;

FIG. 5 is a left view thereof;

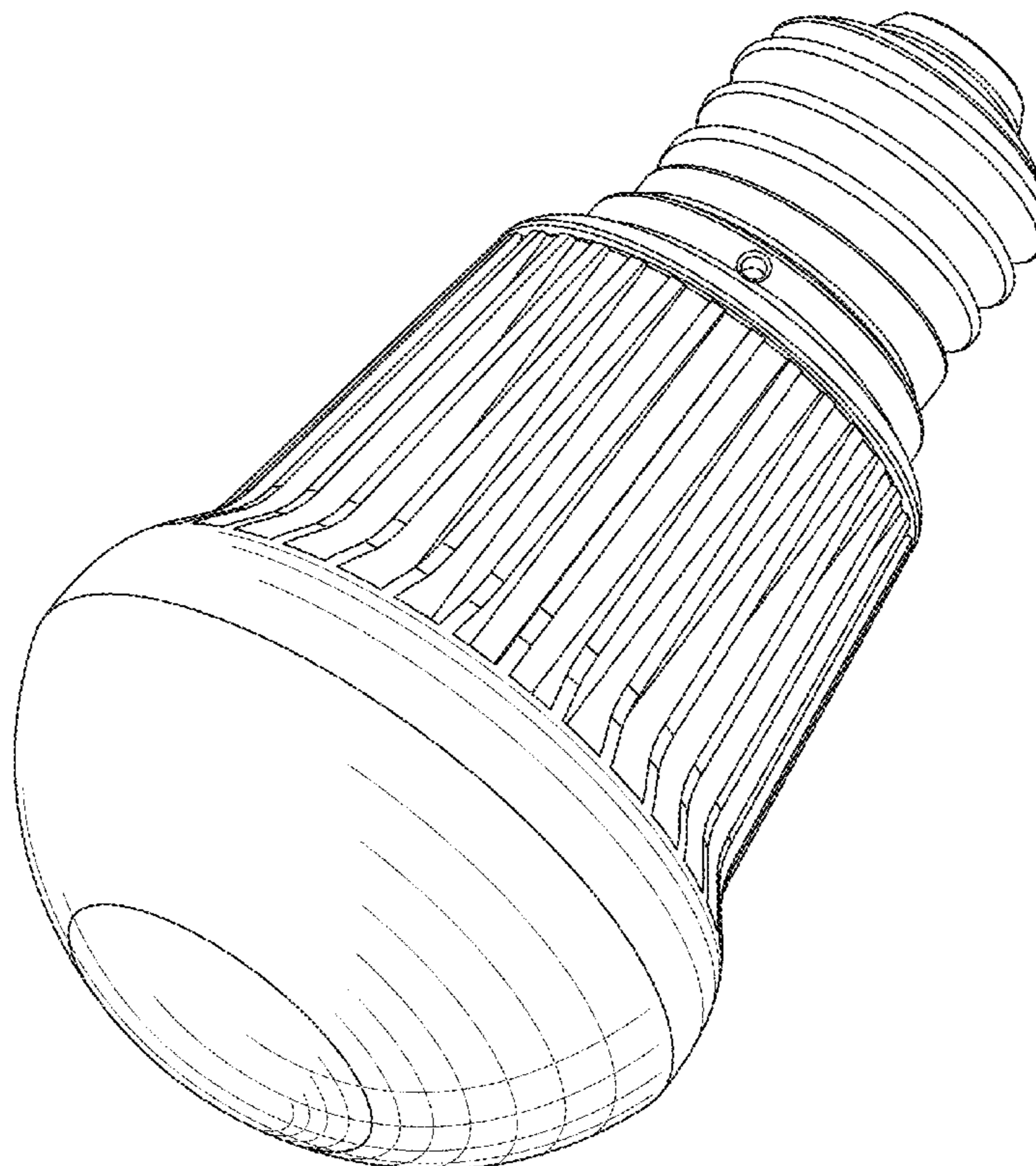
FIG. 6 is a bottom view thereof;

FIG. 7 is a top view thereof; and,

FIG. 8 is another perspective view.

It will be understood that the dash lines presented in the drawings are for illustration only, and do not form a part of the claimed design.

**1 Claim, 7 Drawing Sheets**



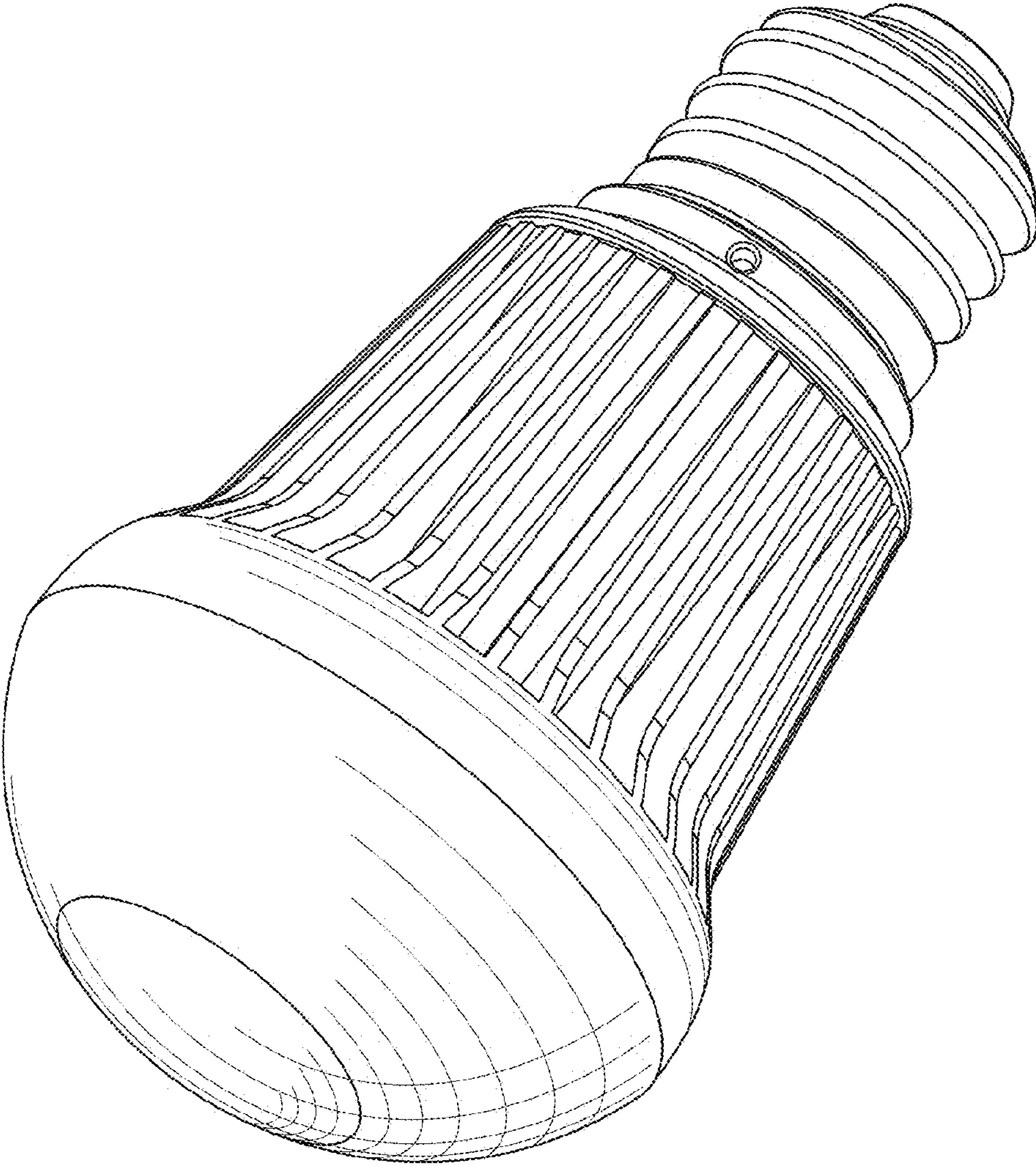


FIG.1

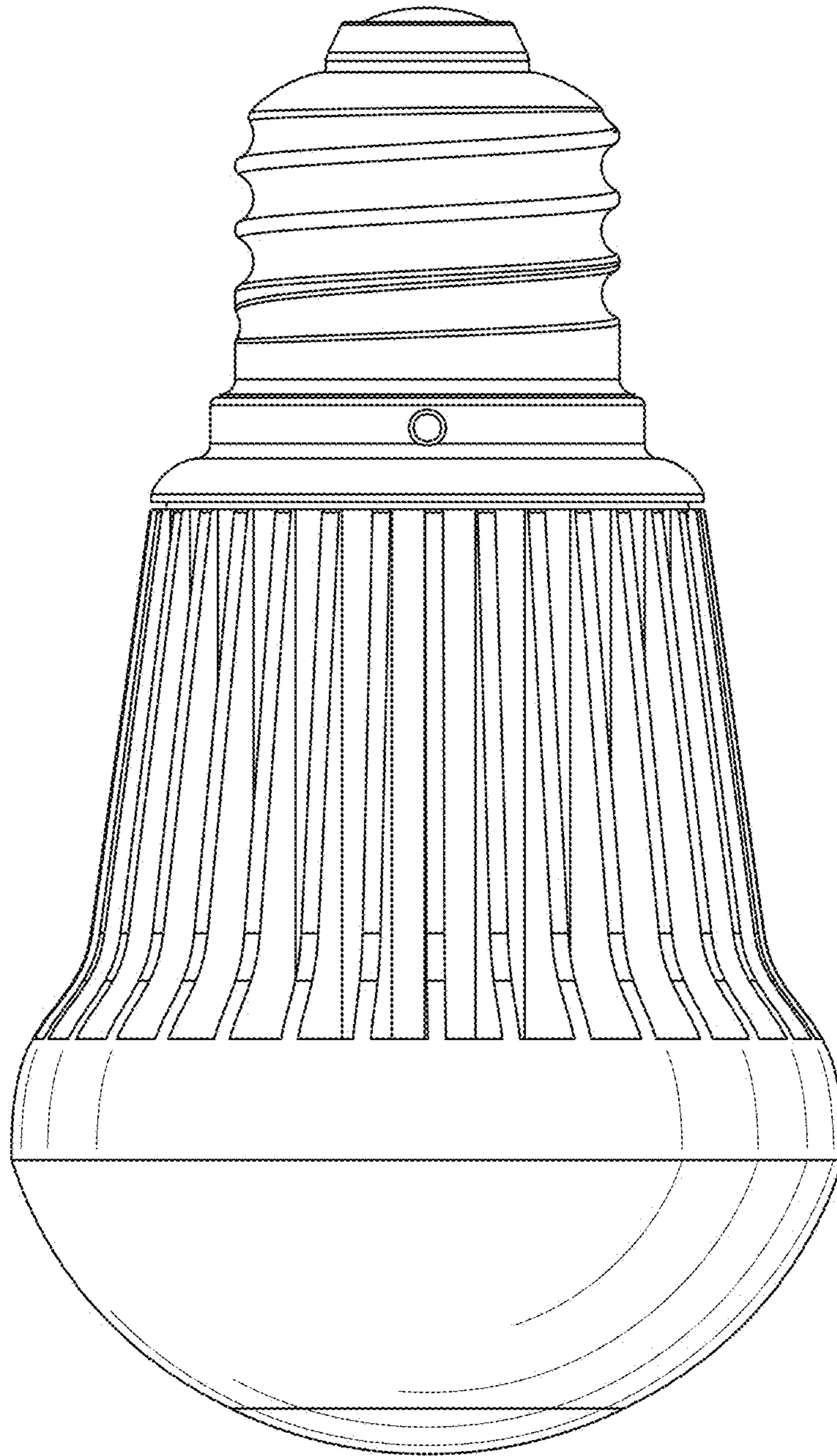


FIG. 2

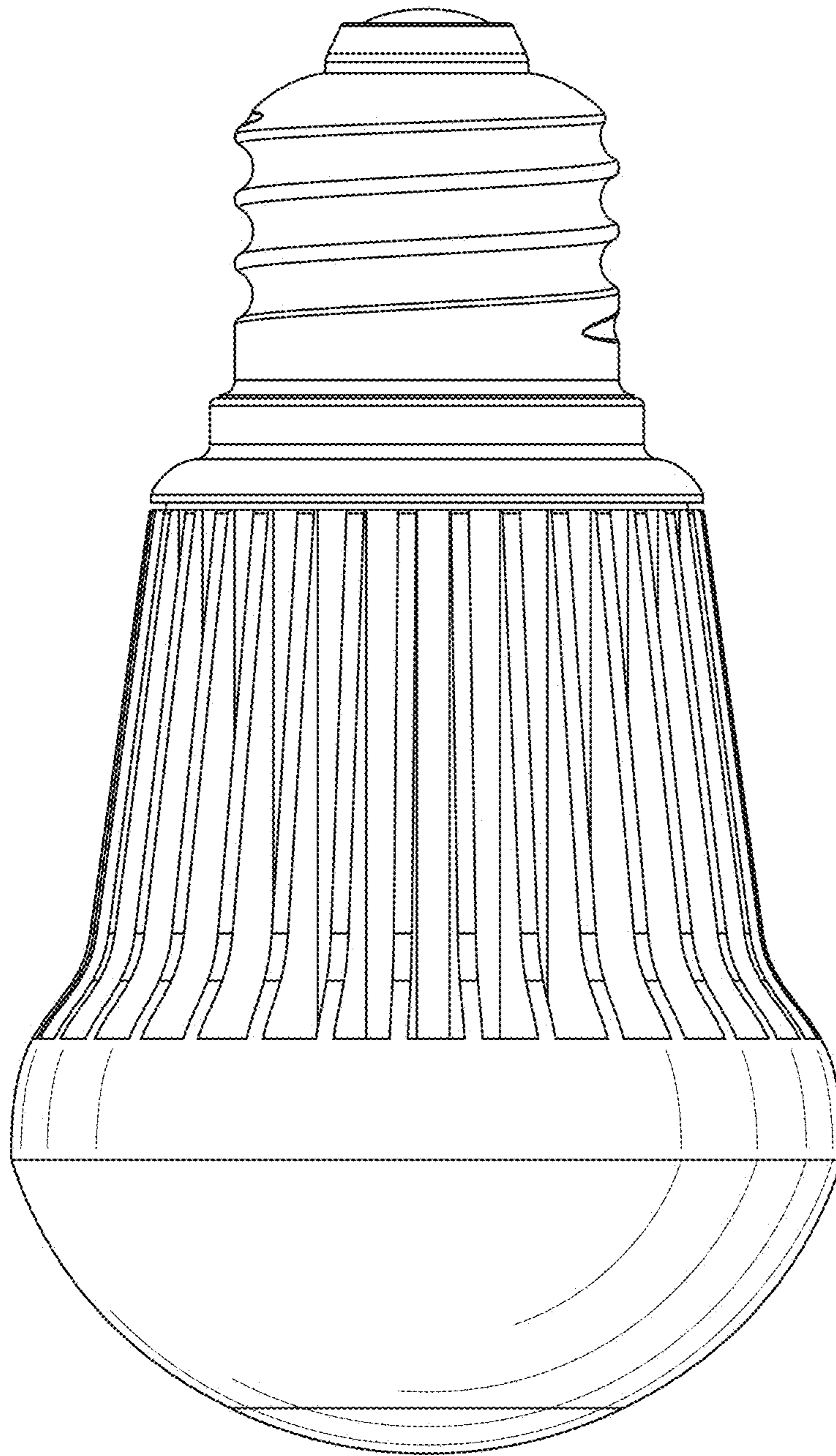


FIG.3

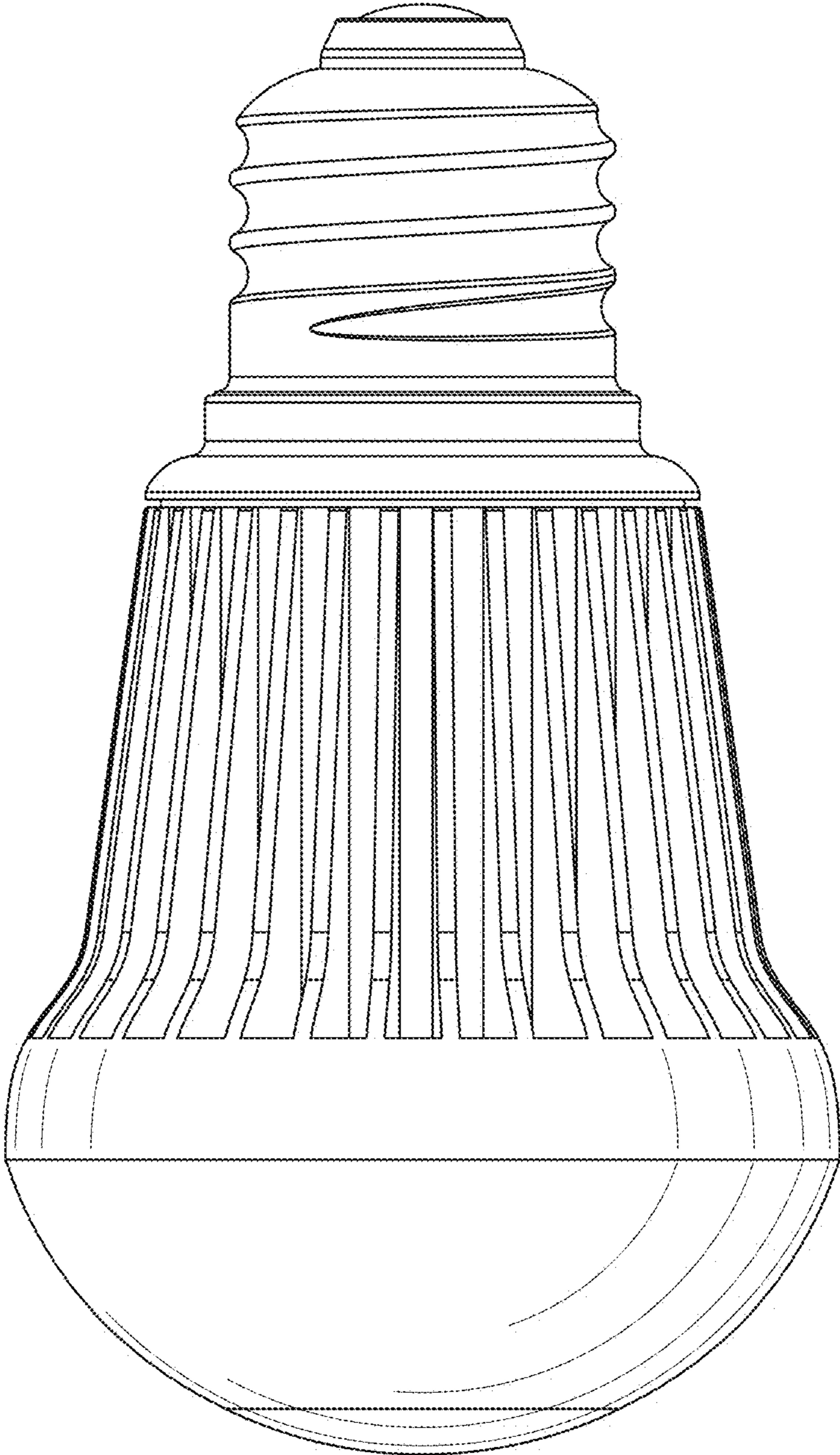


FIG.4

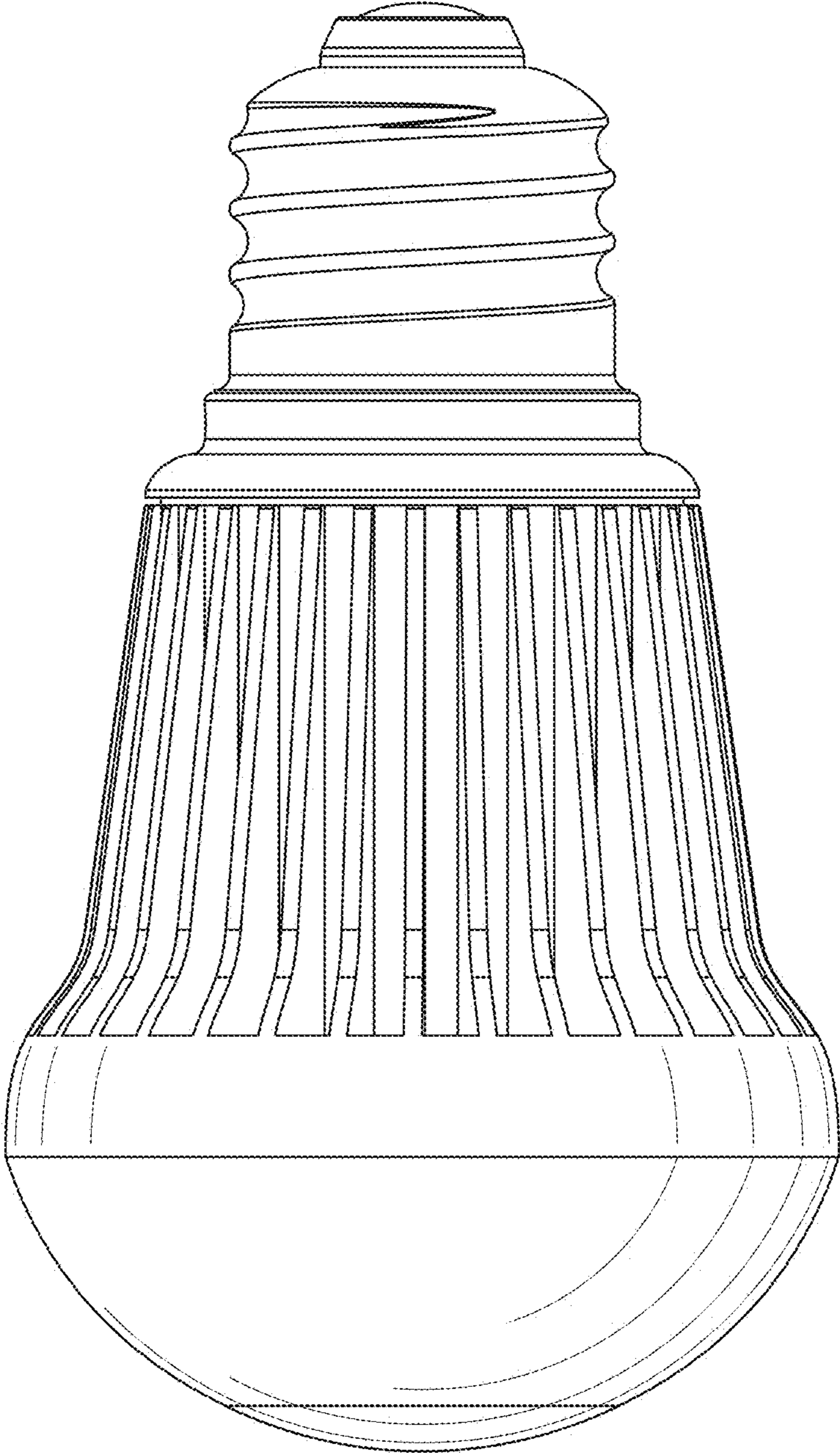


FIG. 5

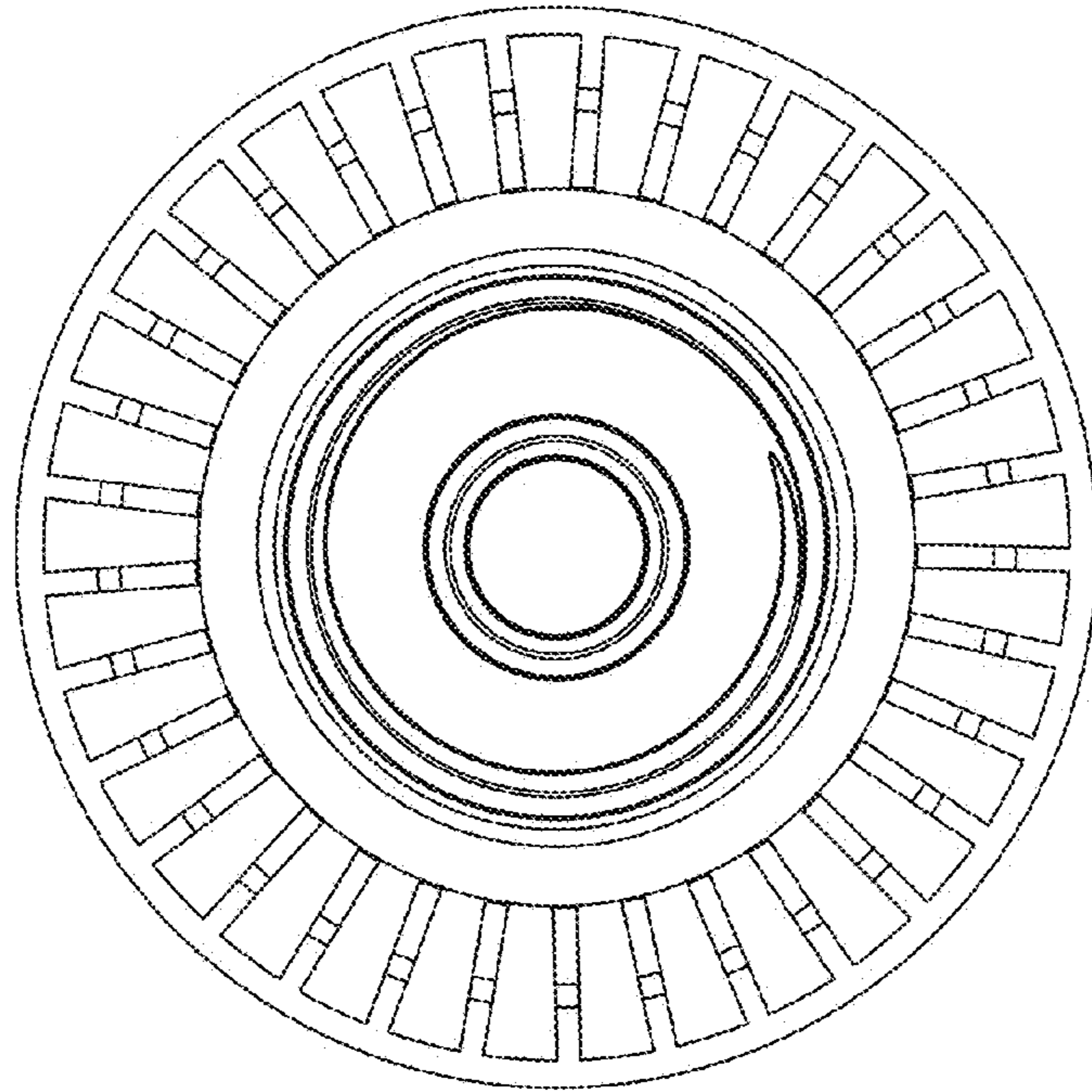


FIG. 6

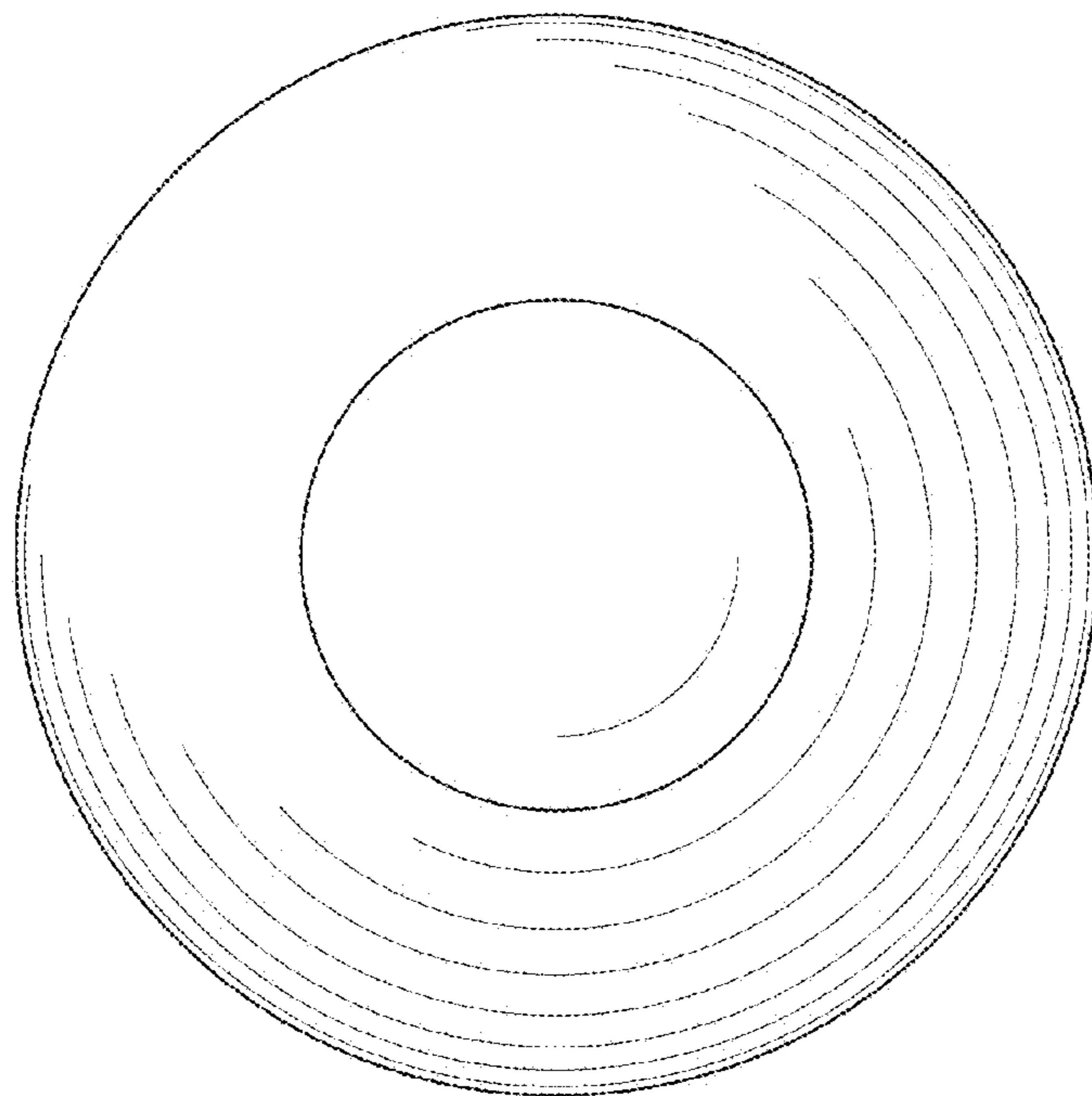


FIG. 7

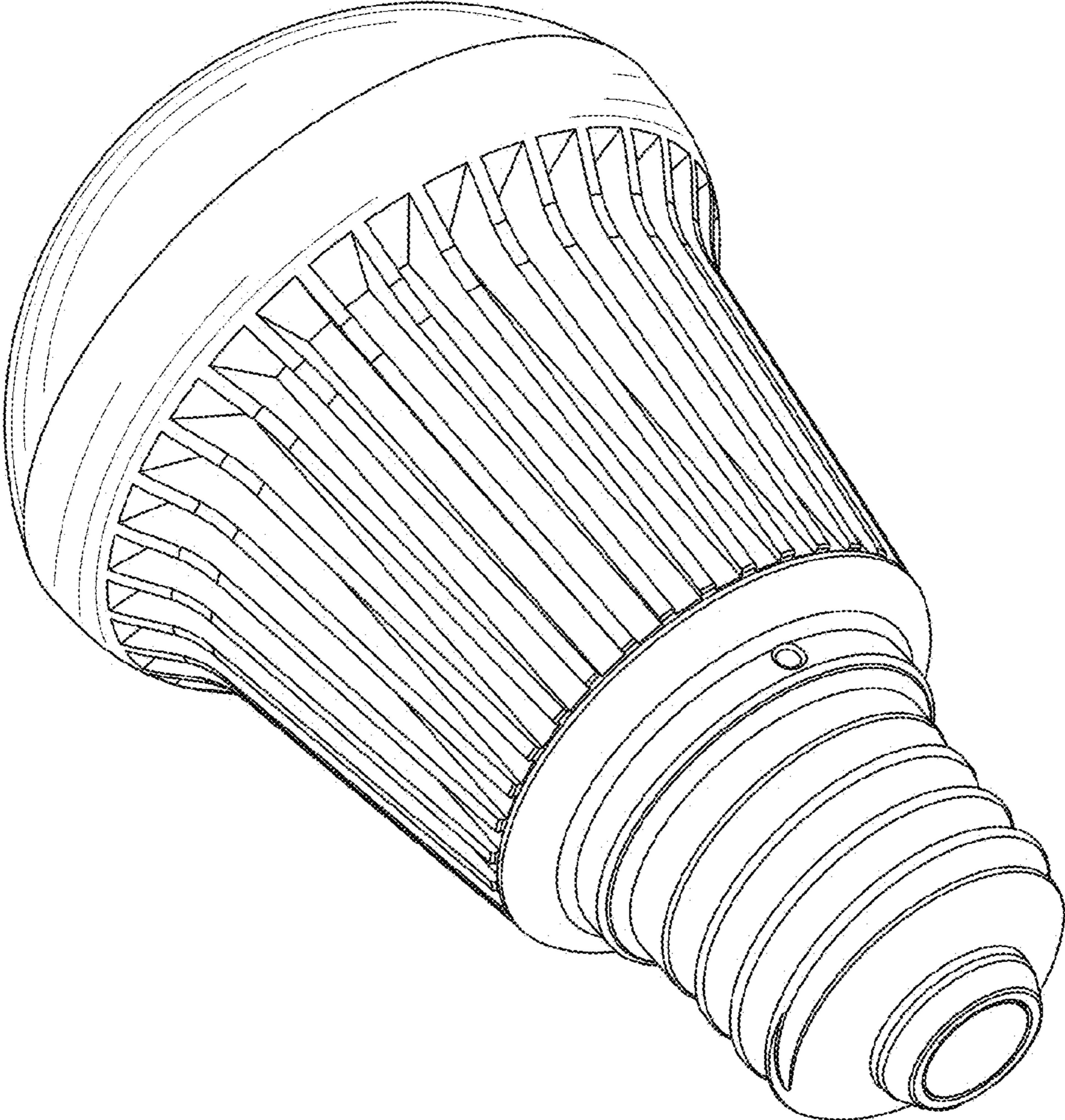


FIG.8